



US00D886250S

(12) **United States Design Patent**
Ji Ho et al.

(10) **Patent No.:** **US D886,250 S**

(45) **Date of Patent:** **** Jun. 2, 2020**

(54) **VALVE**

(71) Applicant: **ESSENTECH. CO., LTD.**, Gunsan-si, Jeollabuk-do (KR)

(72) Inventors: **Kwak Ji Ho**, Gunsan-si (KR); **Choi Jung-Hoon**, Gunsan-si (KR); **Seong Ha-Yeong**, Gunsan-si (KR)

(73) Assignee: **Essentech. Co., LTD.**, Gunsan-si, Jeollabuk-do (KR)

(**) Term: **15 Years**

(21) Appl. No.: **29/640,293**

(22) Filed: **Mar. 13, 2018**

(30) **Foreign Application Priority Data**

Sep. 15, 2017 (KR) 30-2017-0043371

(51) **LOC (12) Cl.** **23-01**

(52) **U.S. Cl.**
USPC **D23/263; D23/233**

(58) **Field of Classification Search**
USPC D23/259, 262-266, 233; 285/132.1, 285/133.11, 179, 179.1, 179.2, 125.1, 285/133.3-133.6, 133.21
CPC F16L 43/001; F16L 43/002; F16L 43/008; F16L 21/005; F16L 21/002; F16L 21/08; F16L 21/06; F16L 21/04; F16L 37/007; F16L 37/252; F16L 37/40; F16L 37/44; F16L 37/46; E03C 2201/30; E03C 2001/028; E03C 1/28; E03C 1/26; E03C 1/262; F04D 15/0005

See application file for complete search history.

(56) **References Cited**

U.S. PATENT DOCUMENTS

| | | | |
|--------------|---------|------------------------|---------|
| D291,481 S * | 8/1987 | Vassallo | D23/263 |
| D517,666 S * | 3/2006 | Wilk, Jr. | D23/262 |
| D676,941 S * | 2/2013 | Kluss | D23/262 |
| D727,472 S * | 4/2015 | Bednarz | D23/263 |
| D729,909 S * | 5/2015 | Castrigno | D23/263 |
| D731,627 S * | 6/2015 | Guest | D23/262 |
| D739,508 S * | 9/2015 | Menno | D23/263 |
| D741,458 S * | 10/2015 | Guest | D23/262 |
| D746,958 S * | 1/2016 | Gledhill | D23/262 |
| D751,675 S * | 3/2016 | Gledhill | D23/259 |
| D796,010 S * | 8/2017 | Downie | D23/263 |
| D803,985 S * | 11/2017 | Yung | D23/233 |
| D835,245 S * | 12/2018 | Salehi-Bakhtiari | D23/263 |

* cited by examiner

Primary Examiner — Amy C Wierenga

(74) *Attorney, Agent, or Firm* — Dennemeyer & Associates, LLC

(57) **CLAIM**

The ornamental design for a valve, as shown and described in the accompanying drawings.

DESCRIPTION

FIG. 1 is a perspective view of the valve;
FIG. 2 is a front side elevational view of the valve;
FIG. 3 is a rear side elevational view of the valve;
FIG. 4 is a left side elevational view of the valve;
FIG. 5 is a right side elevational view of the valve;
FIG. 6 is a top plan view of the valve; and,
FIG. 7 is a bottom plan view of the valve.
The dashed broken lines in the drawings depict portions of the valve that form no part of the claim.

1 Claim, 7 Drawing Sheets

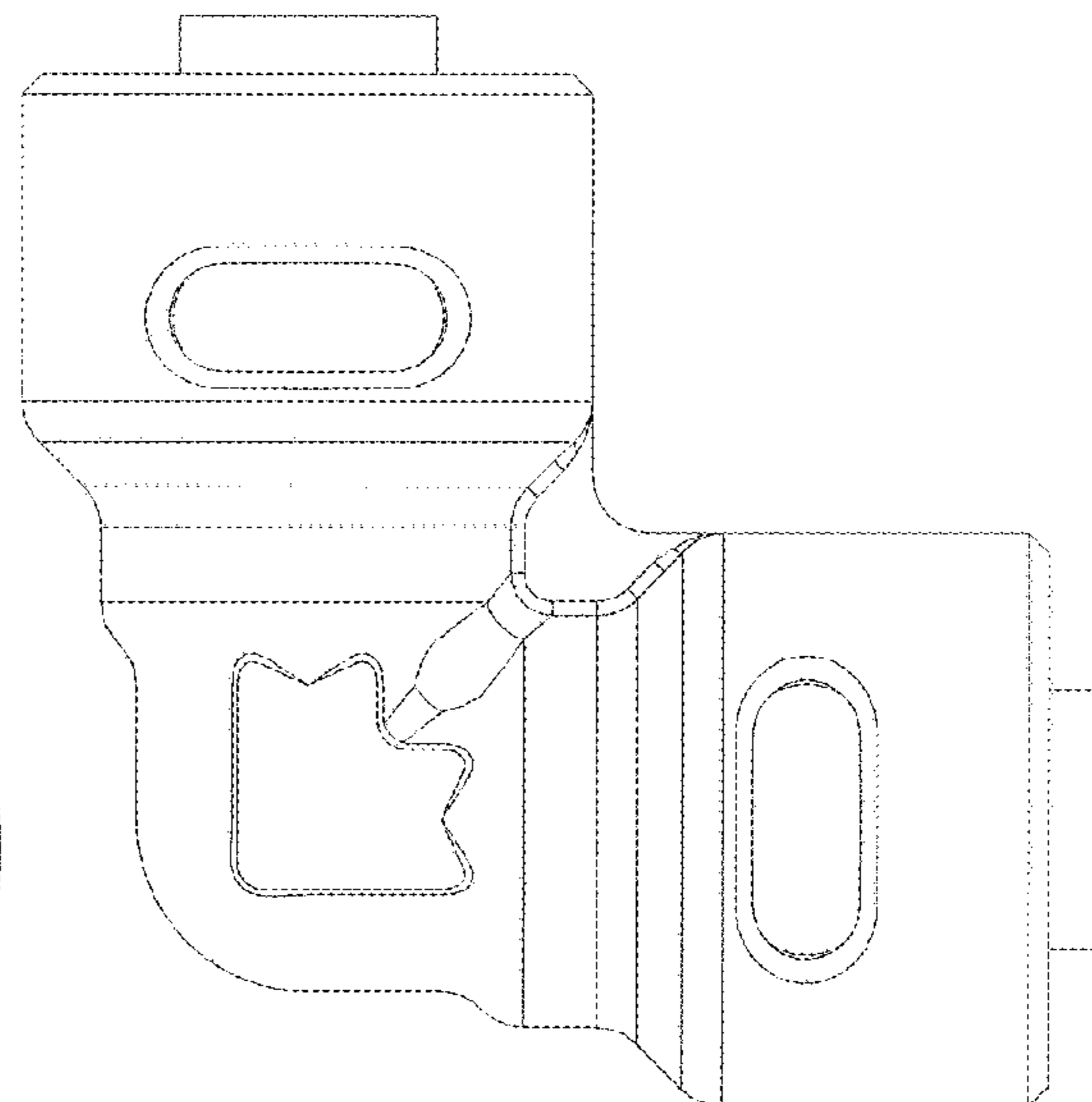
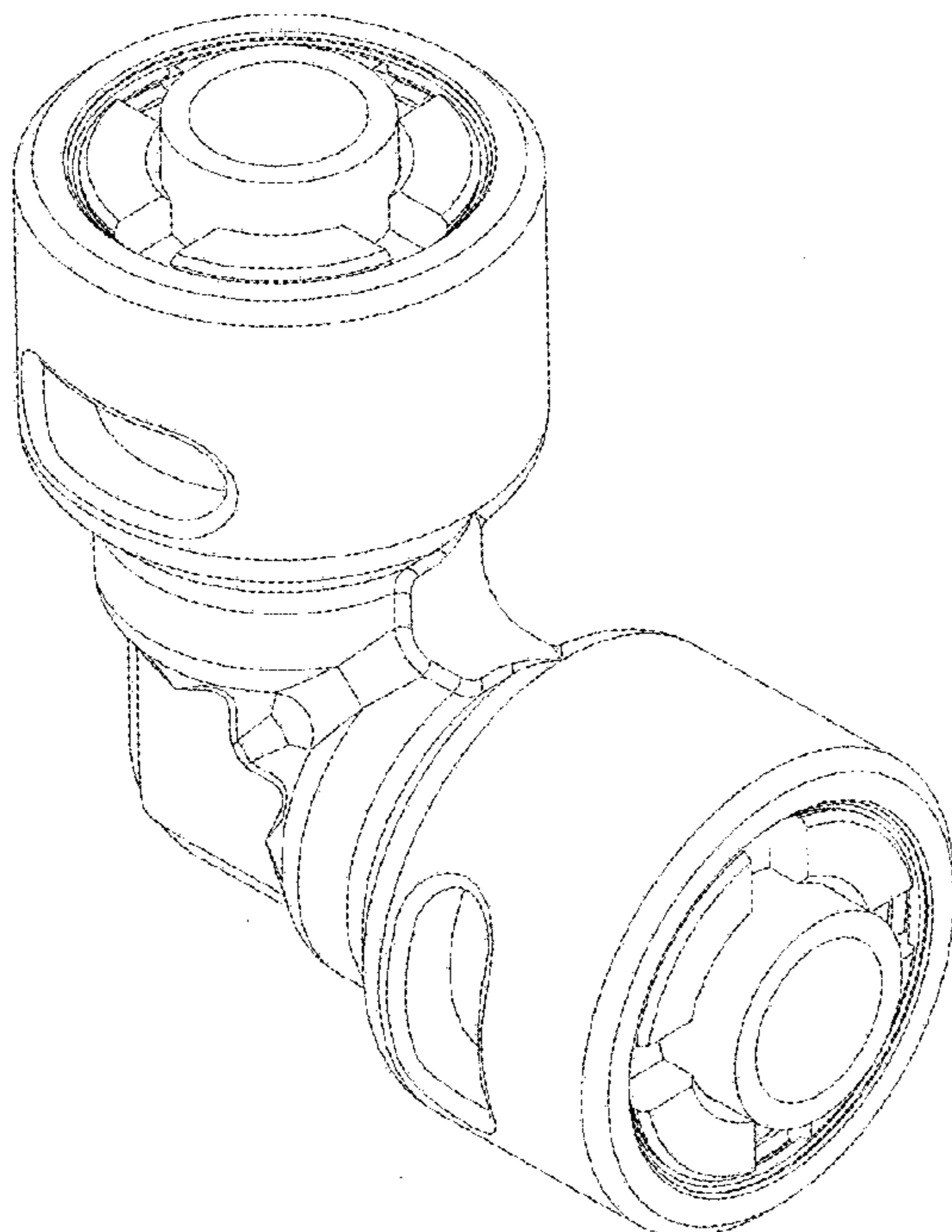


Fig. 1

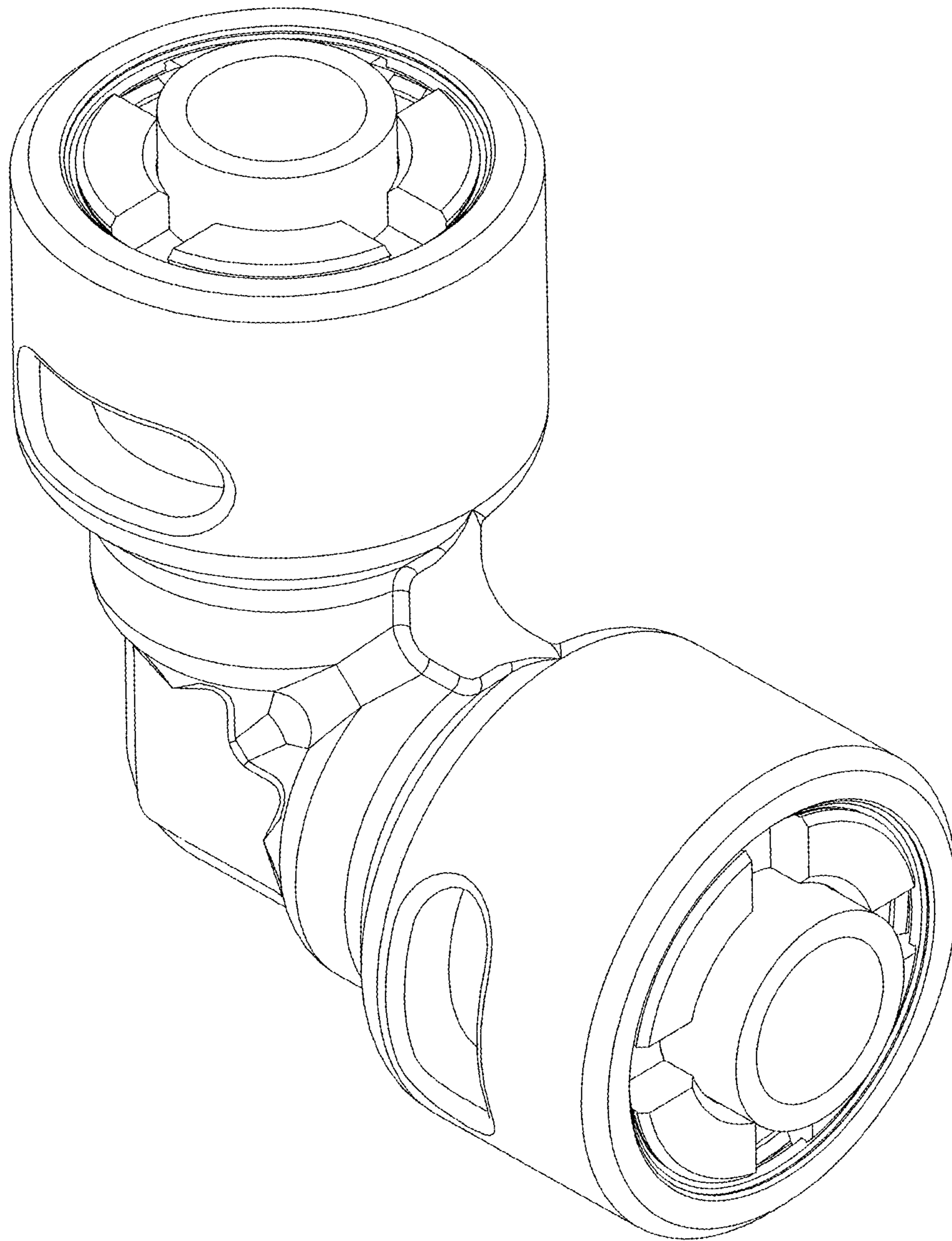


Fig. 2

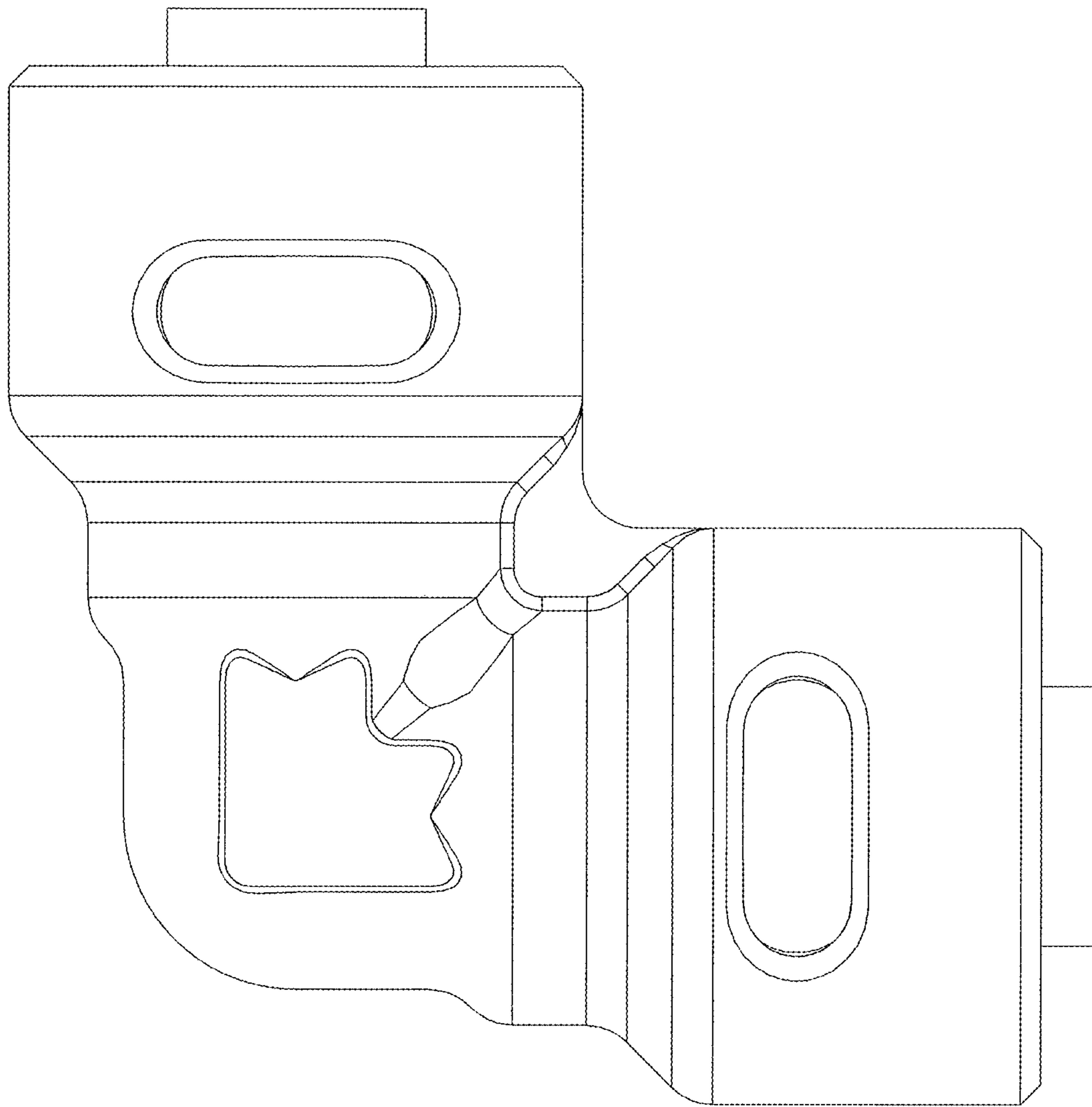


Fig. 3

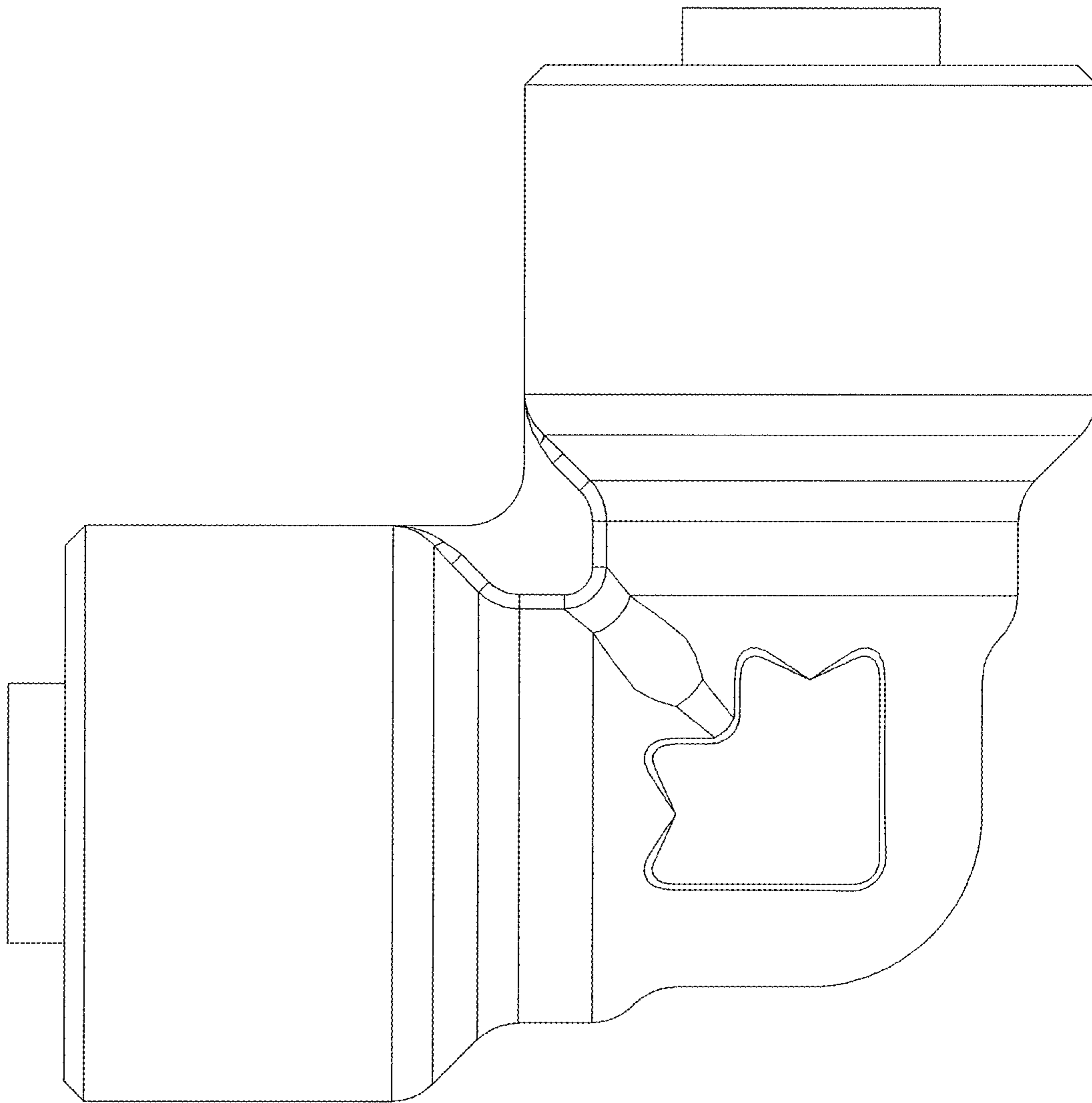


Fig. 4

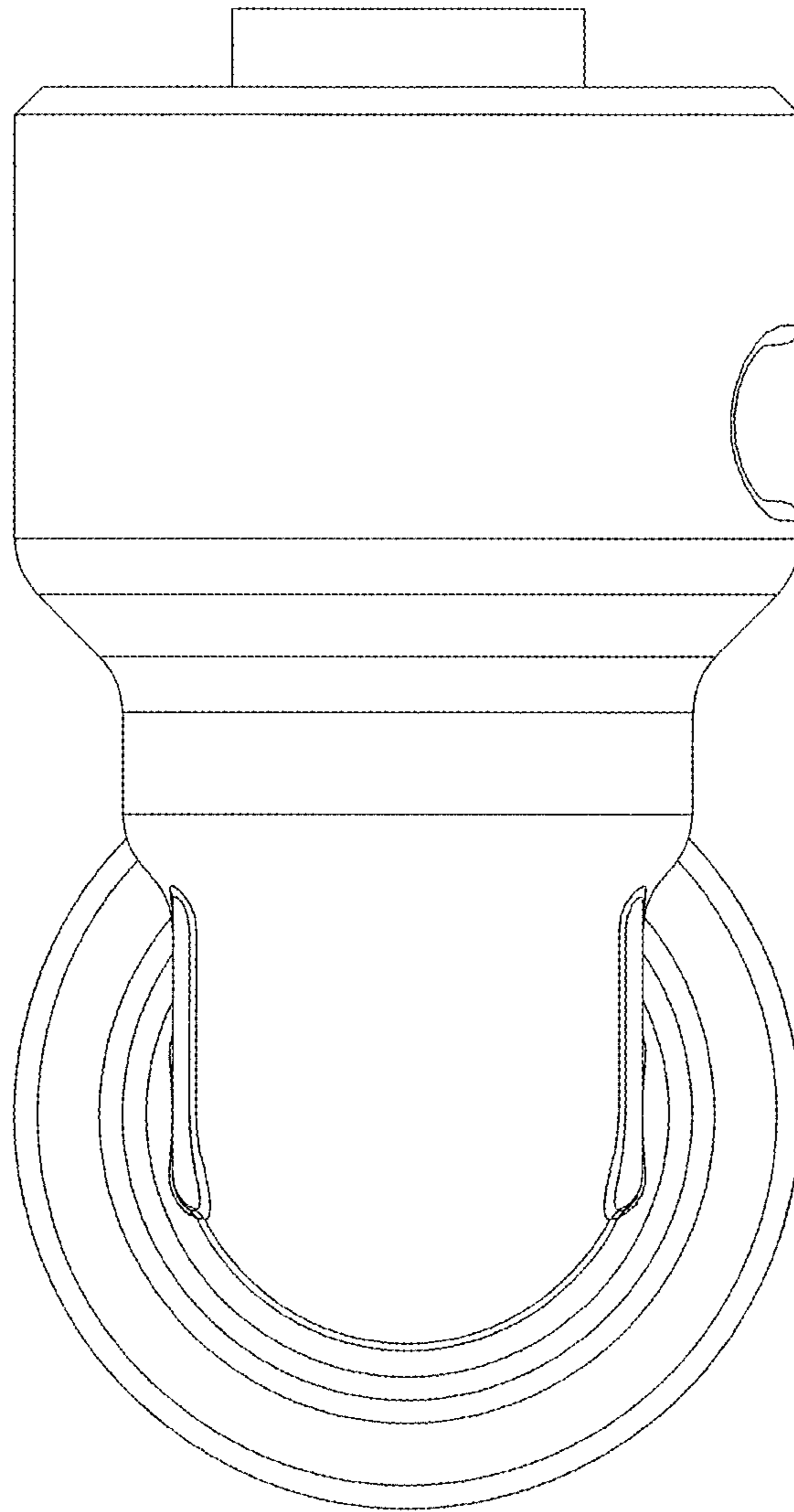


Fig. 5

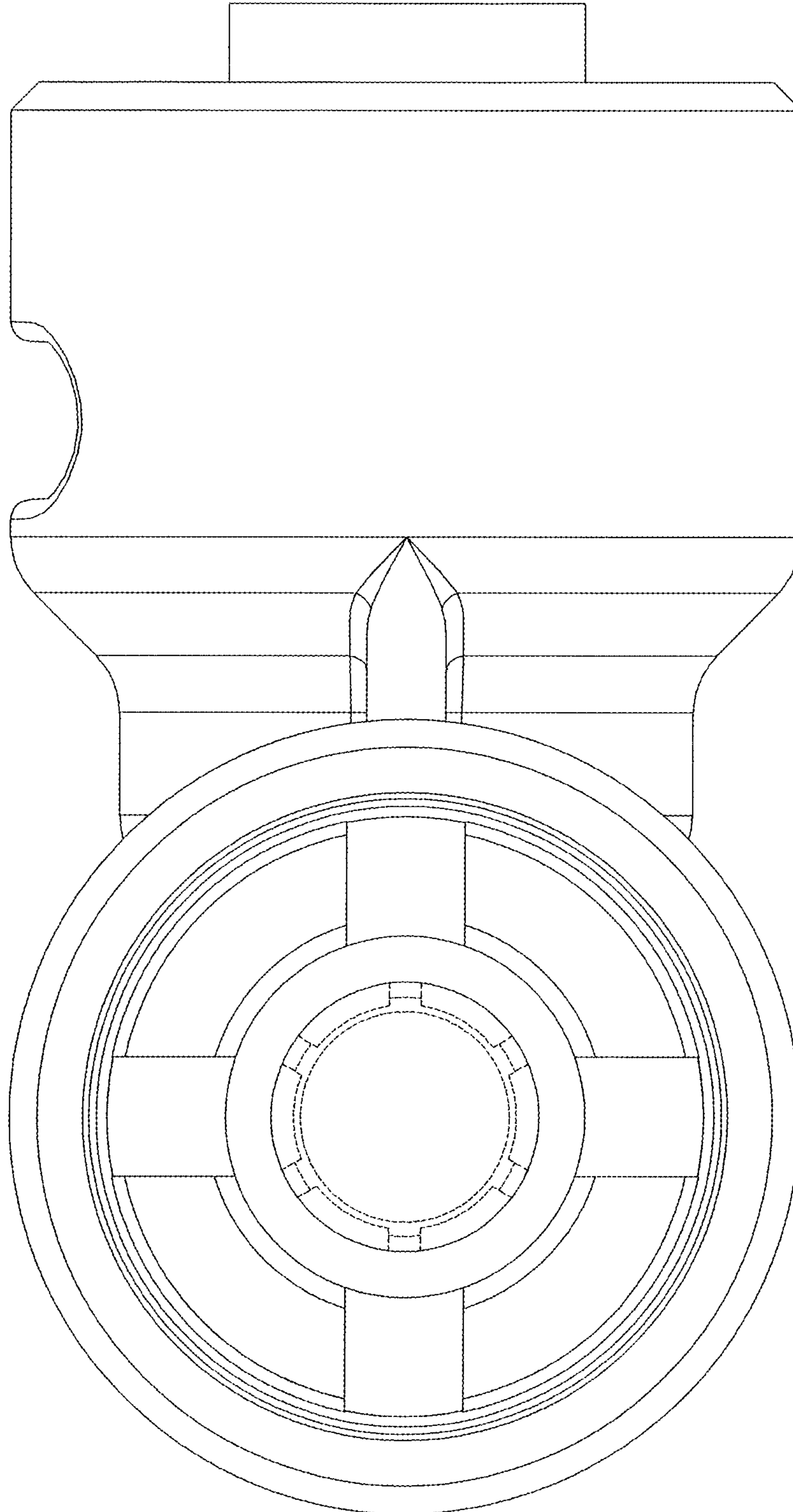


Fig. 6

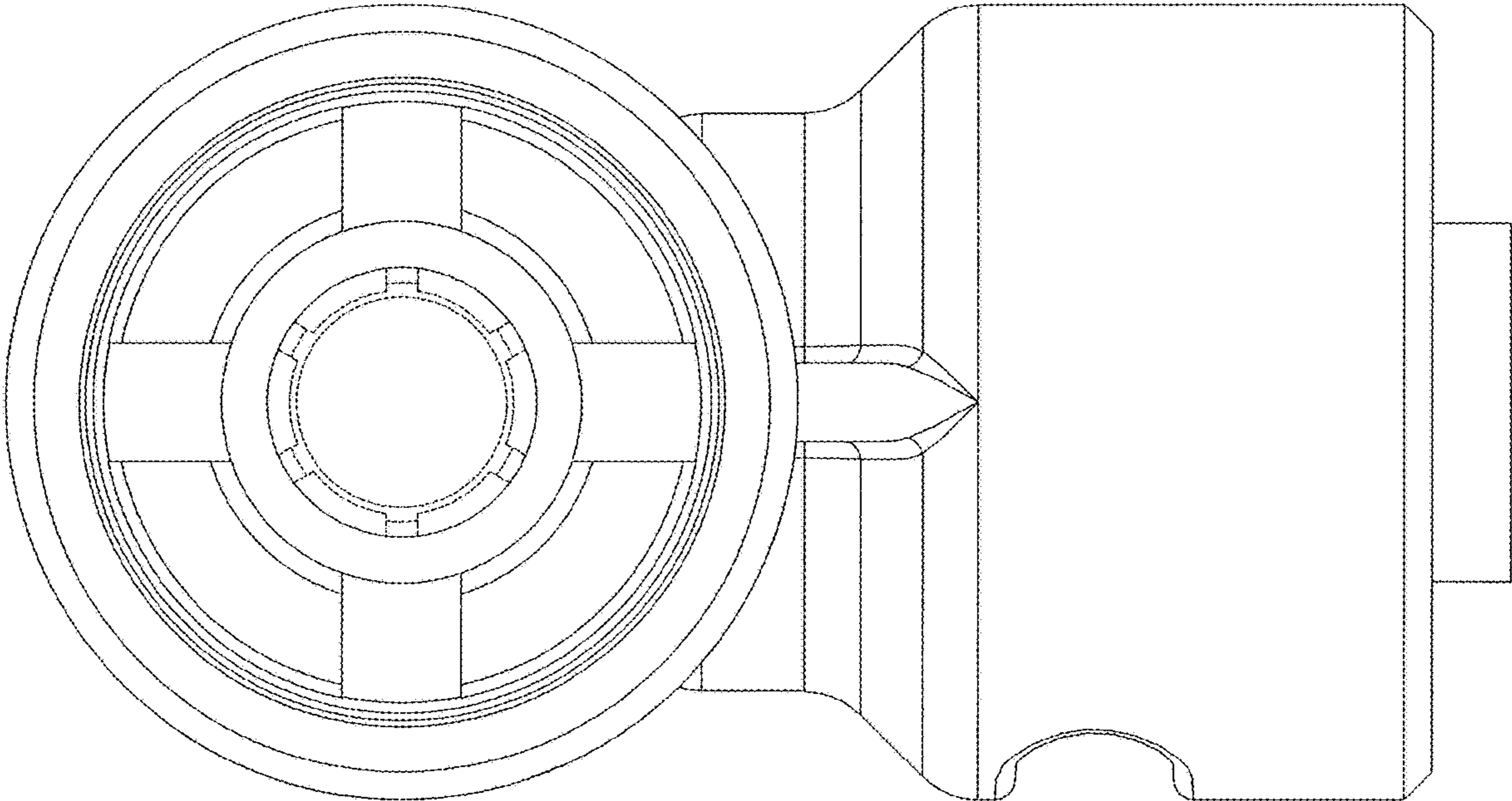


Fig. 7

