



US00D886249S

(12) **United States Design Patent** (10) **Patent No.:** **US D886,249 S**
Farley (45) **Date of Patent:** **** Jun. 2, 2020**

(54) **SHOWERHEAD MANIFOLD**
(71) Applicant: **David K. Farley**, Corona, CA (US)
(72) Inventor: **David K. Farley**, Corona, CA (US)
(**) Term: **15 Years**
(21) Appl. No.: **29/630,621**
(22) Filed: **Dec. 21, 2017**
(51) **LOC (12) Cl.** **23-01**
(52) **U.S. Cl.**
USPC **D23/263**; D23/213; D23/249
(58) **Field of Classification Search**
USPC D23/209, 213–214, 228, 233, 249, 259,
D23/262–263; 4/601–602, 605; 239/548,
239/550, 552–553, 553.3, 553.5, 565,
239/569, 587.1
CPC B01D 35/02; B01D 27/68; E03C 1/08;
B05B 1/18
See application file for complete search history.

(56) **References Cited**

U.S. PATENT DOCUMENTS

D242,043 S *	10/1976	Corder et al.	D23/209
D260,808 S *	9/1981	Headen	D23/225
5,385,667 A *	1/1995	Steger	C02F 1/003 210/198.1
D406,640 S *	3/1999	Gustafsson	D23/263
D435,637 S *	12/2000	Wales	D23/263
D438,938 S *	3/2001	Cleek	D23/263
D446,841 S *	8/2001	Silva	D23/209
D456,493 S *	4/2002	Paterson	D23/213

D465,012 S *	10/2002	Tauzer	D23/213
D477,382 S *	7/2003	Strand	D23/209
D513,782 S *	1/2006	Lovett	D23/213
D536,419 S *	2/2007	O'Brien	D23/228
D541,374 S *	4/2007	Colussi	D23/209
D665,474 S *	8/2012	Farley	D23/209
D667,077 S *	9/2012	Stanley	D23/209
D830,122 S *	10/2018	Seiders	D7/398
D841,121 S *	2/2019	Kiefer	D23/213

* cited by examiner

Primary Examiner — Eric L Goodman

Assistant Examiner — Amy C Wierenga

(74) *Attorney, Agent, or Firm* — Stetina Brunda Garred and Brucker; Mark B. Garred

(57) **CLAIM**

The ornamental design for a showerhead manifold, as shown and described.

DESCRIPTION

FIG. 1 is a right side view of a showerhead manifold, in accordance with the present invention, shown in a position of use as connected to a showerhead, a shower arm and a filter cartridge;

FIG. 2 is a top view of the invention;

FIG. 3 is a left side view of the invention;

FIG. 4 is a bottom perspective view of the invention;

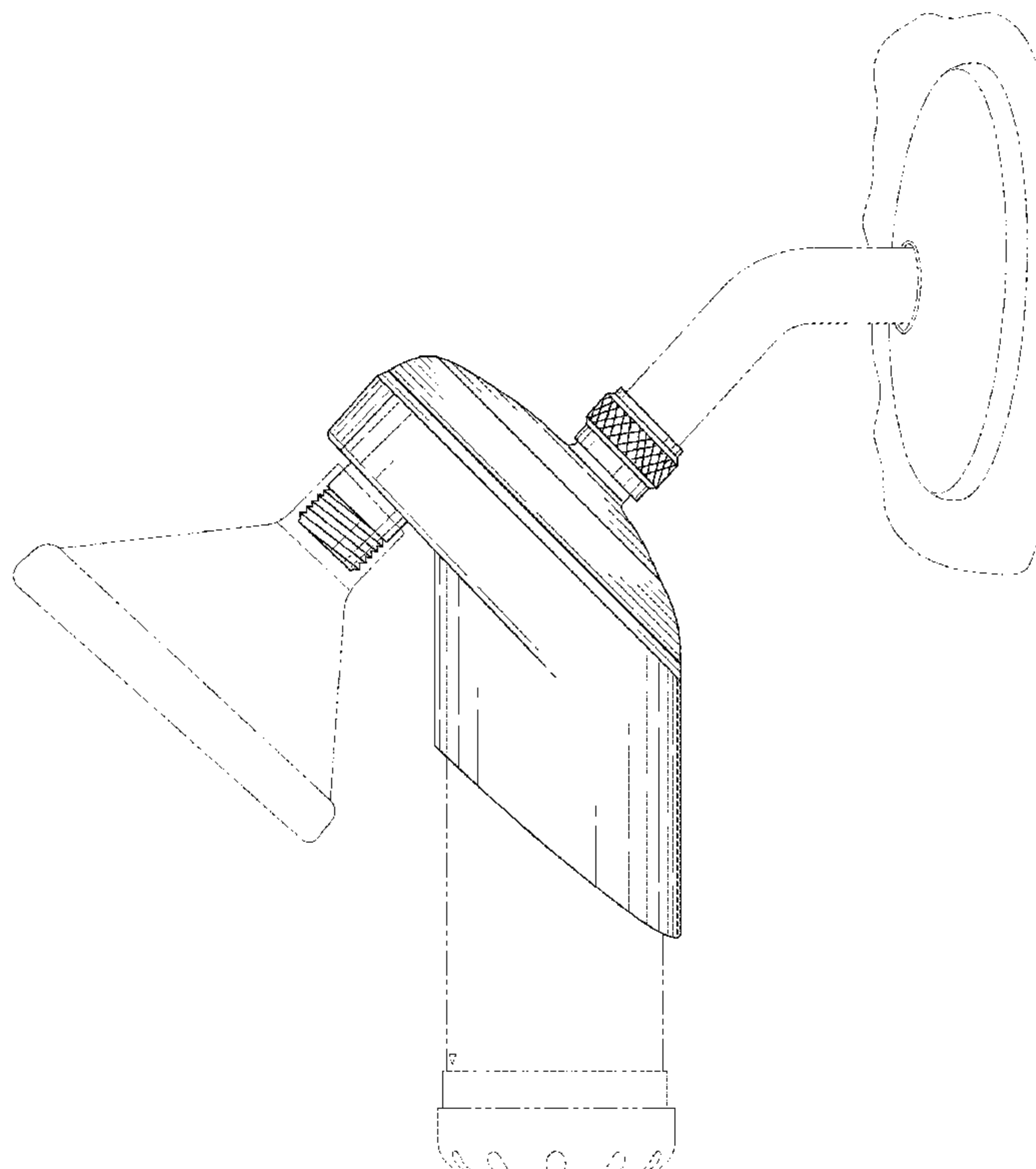
FIG. 5 is a rear view of the invention;

FIG. 6 is a bottom view of the invention; and,

FIG. 7 is a bottom perspective view of the invention.

The broken lines shown in the drawings depict environmental subject matter that form no part of the claim.

1 Claim, 3 Drawing Sheets



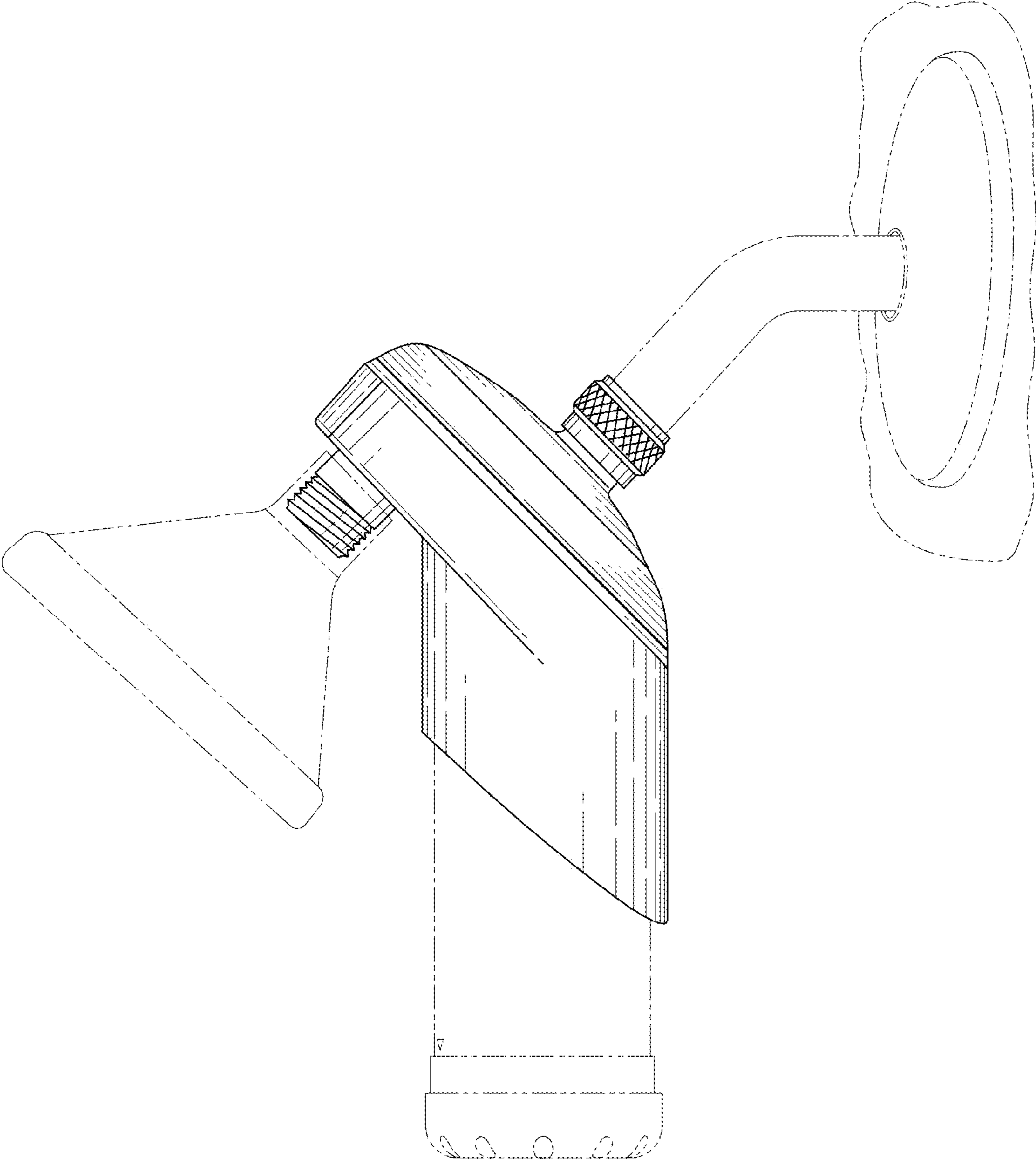


FIG. 1

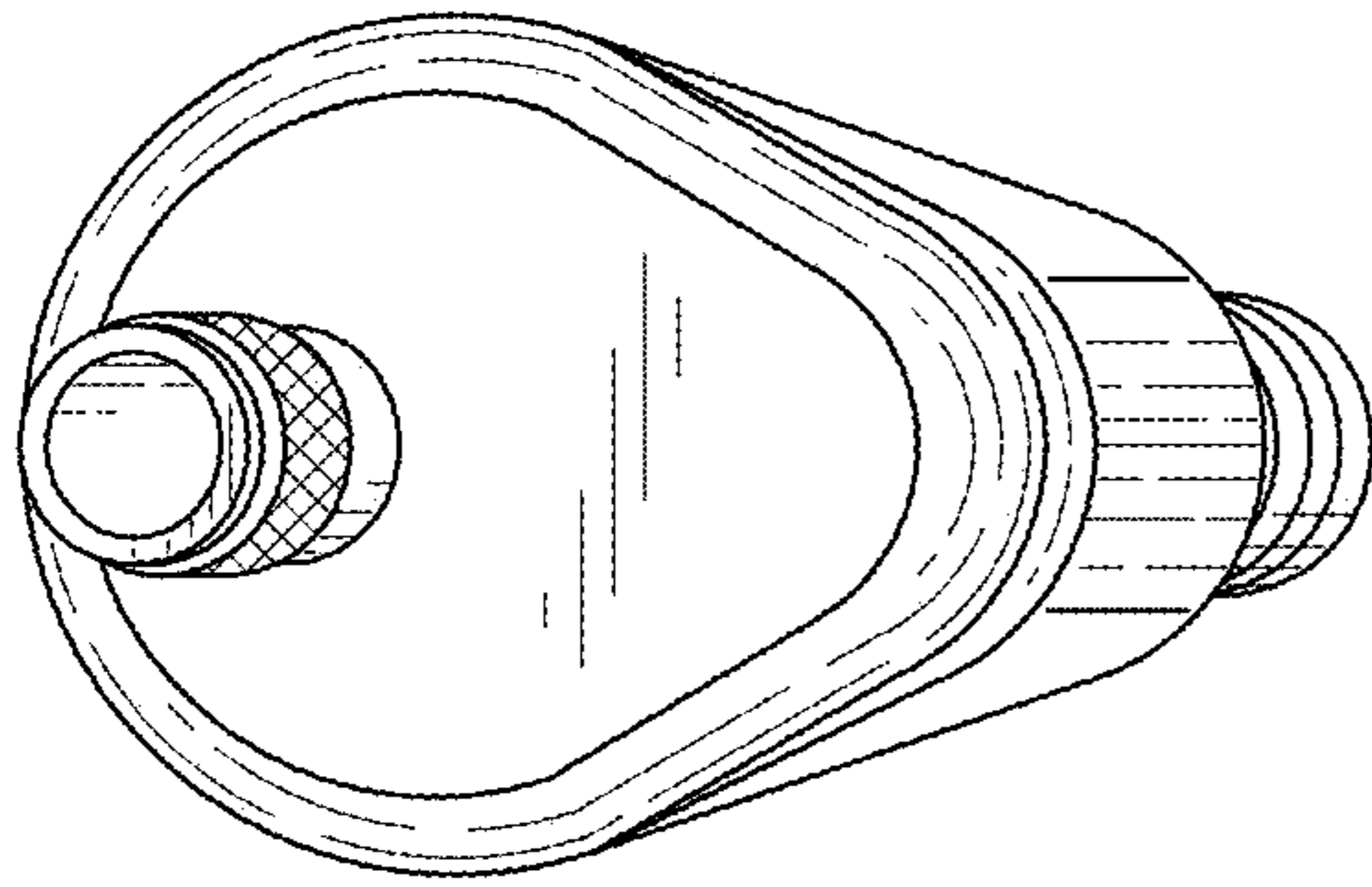


FIG. 2

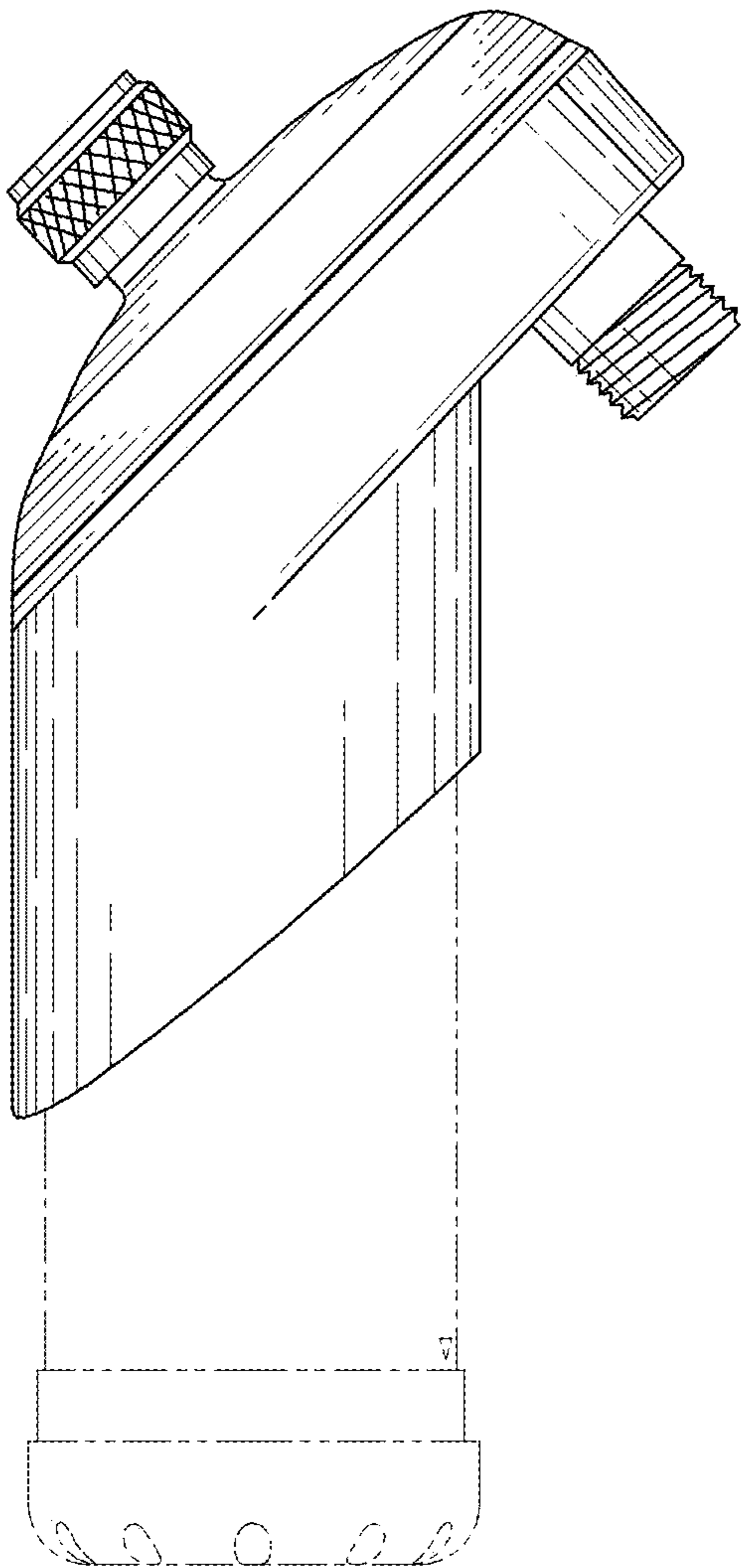


FIG. 3

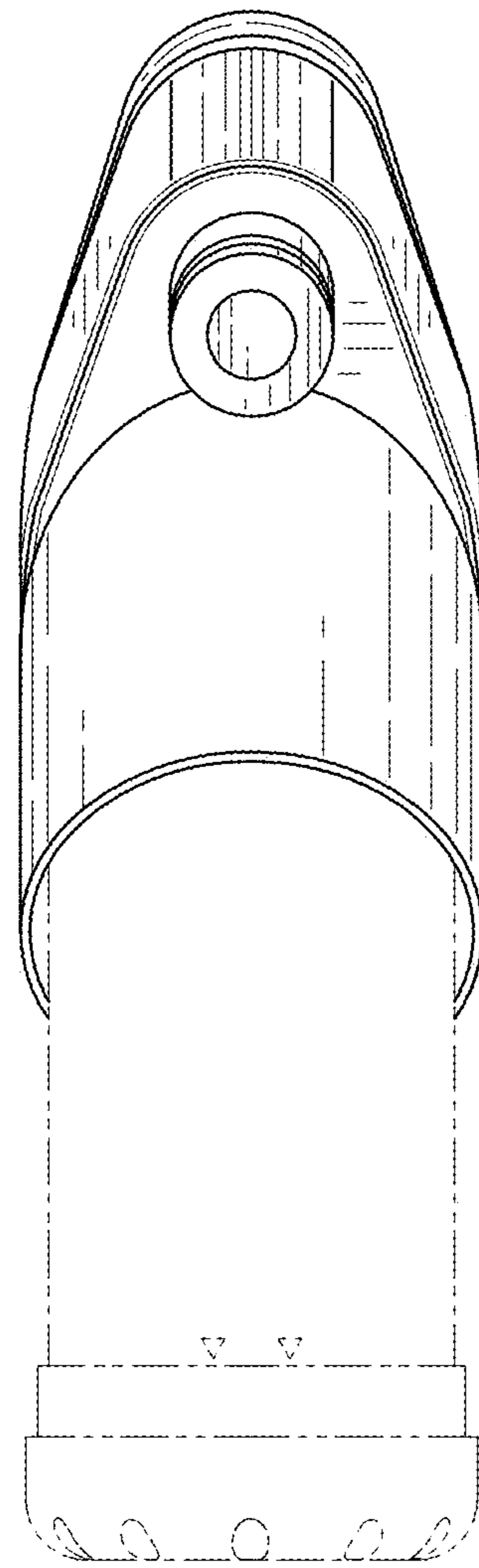


FIG. 4

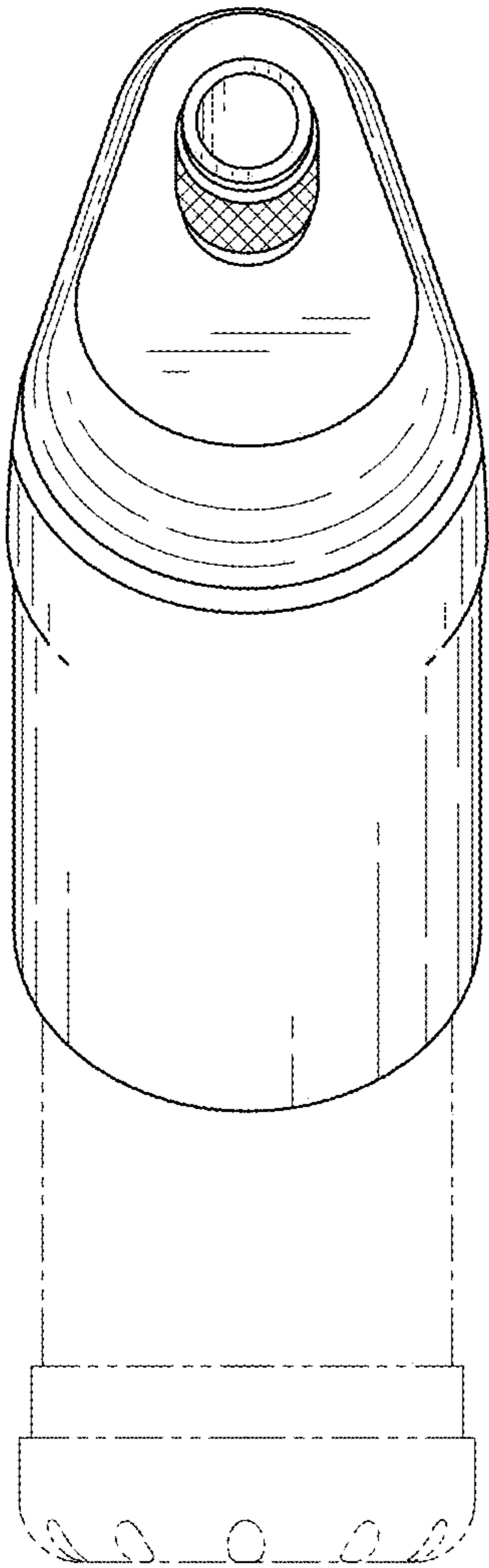


FIG. 5

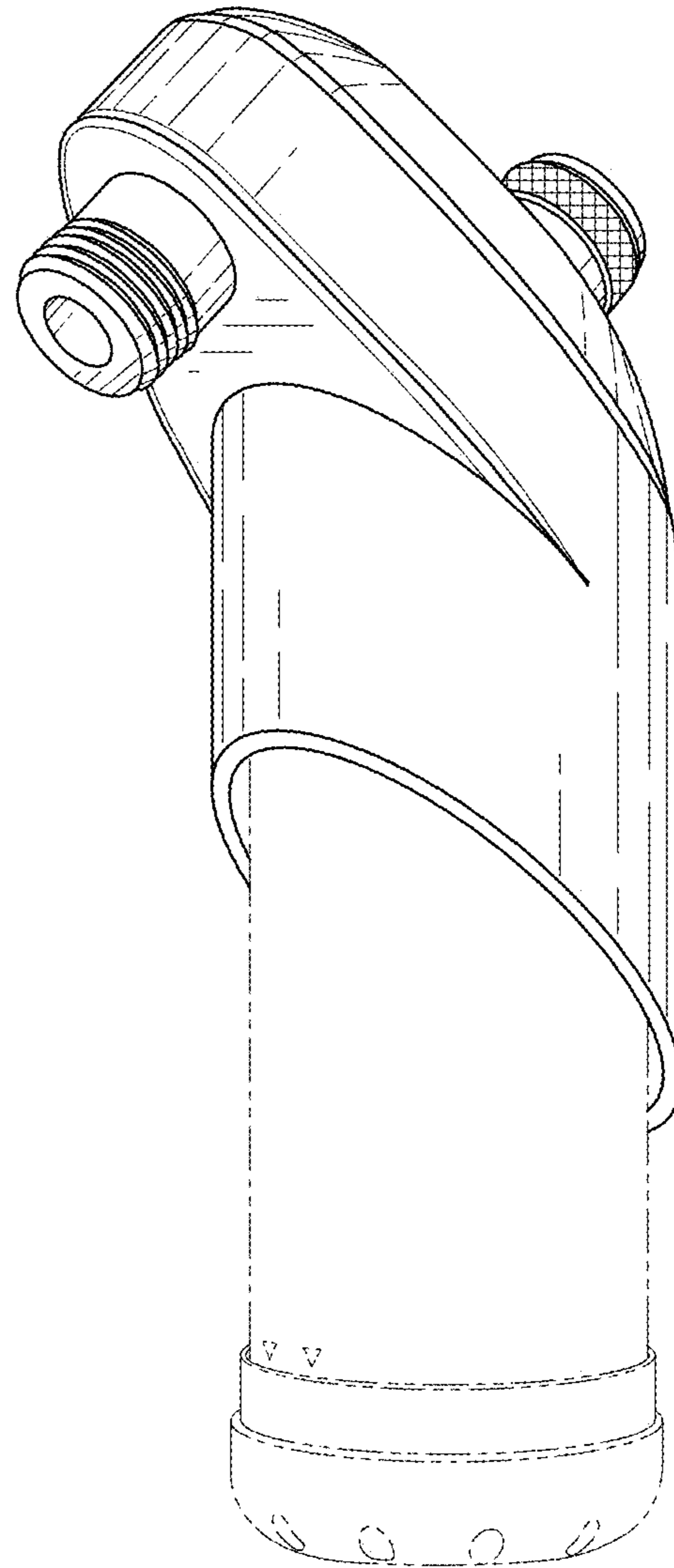


FIG. 7

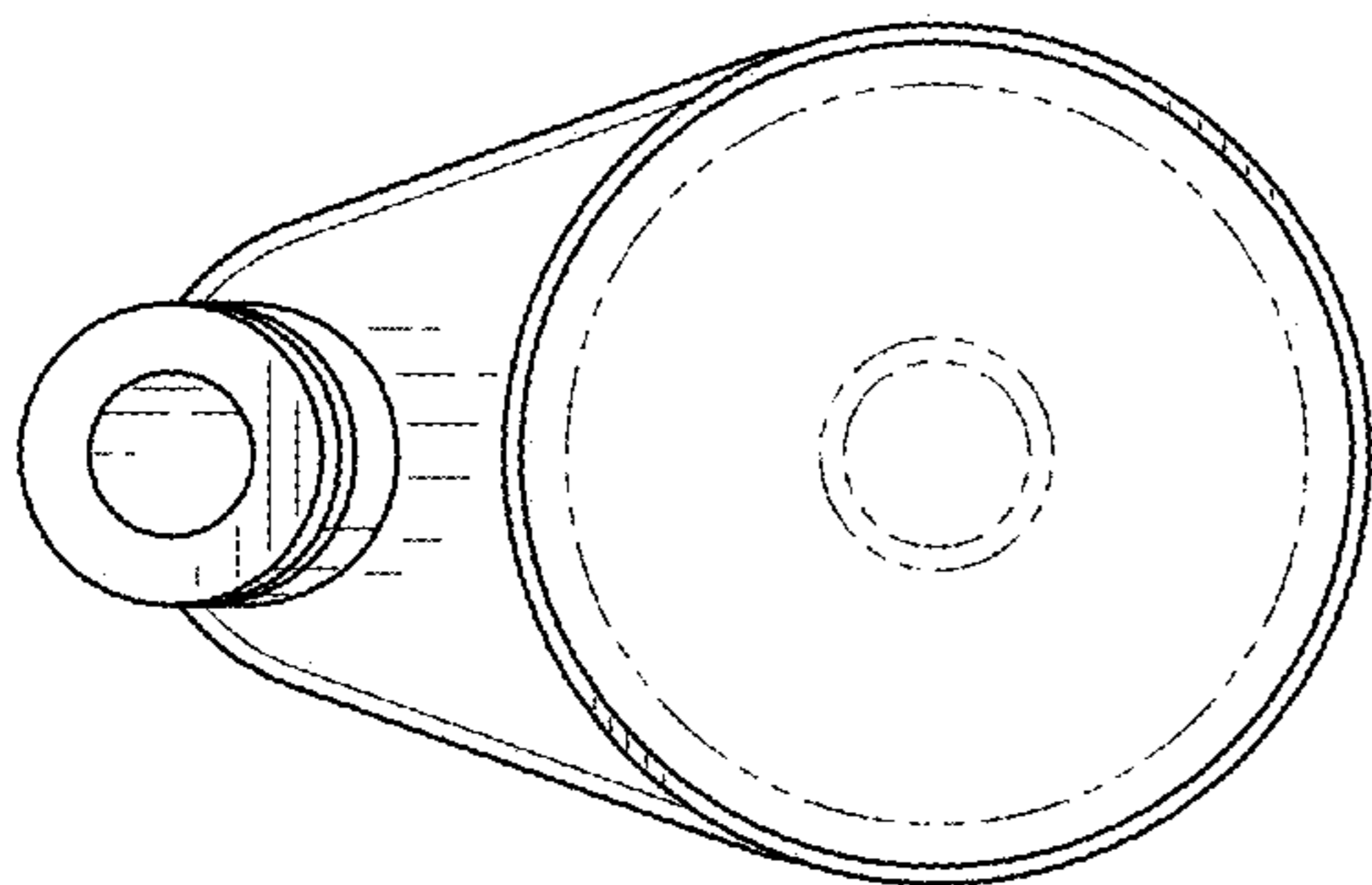


FIG. 6