



US00D886248S

(12) **United States Design Patent** (10) **Patent No.:** **US D886,248 S**  
**Ji Ho et al.** (45) **Date of Patent:** **\*\* Jun. 2, 2020**

(54) **VALVE**

(71) Applicant: **ESSENTECH. CO., LTD.**, Gunsan-si, Jeollabuk-do (KR)

(72) Inventors: **Kwak Ji Ho**, Gunsan-si (KR); **Choi Jung-Hoon**, Gunsan-si (KR); **Seong Ha-Yeong**, Gunsan-si (KR)

(73) Assignee: **Essentech. Co., LTD.**, Gunsan-si, Jeollabuk-do (KR)

(\*\*) Term: **15 Years**

(21) Appl. No.: **29/640,294**

(22) Filed: **Mar. 13, 2018**

(30) **Foreign Application Priority Data**

Sep. 15, 2017 (KR) ..... 30-2017-0043369

(51) **LOC (12) Cl.** ..... **23-01**

(52) **U.S. Cl.**  
USPC ..... **D23/262**; D23/233

(58) **Field of Classification Search**  
USPC ..... D23/259, 262–266, 233; 285/132.1, 285/133.11, 179, 179.1, 179.2, 125.1, 285/133.3–133.6, 133.21  
CPC ..... F16L 43/001; F16L 43/002; F16L 43/008; F16L 21/005; F16L 21/002; F16L 21/08; F16L 21/06; F16L 21/04; F16L 37/007; F16L 37/252; F16L 37/40; F16L 37/44; F16L 37/46; E03C 2201/30; E03C 2001/028; E03C 1/28; E03C 1/26; E03C 1/262; F04D 15/0005

See application file for complete search history.

(56) **References Cited**

U.S. PATENT DOCUMENTS

D354,801 S *	1/1995	Grant	.....	D23/263
D438,603 S *	3/2001	Chao	.....	D23/262
D495,404 S *	8/2004	Wilk, Jr.	.....	D23/262
D524,427 S *	7/2006	Wilk, Jr.	.....	D23/262
D676,940 S *	2/2013	Kluss	.....	D23/262
D732,643 S *	6/2015	Lai	.....	D23/259
D733,846 S *	7/2015	Guest	.....	D23/262
D741,457 S *	10/2015	Guest	.....	D23/262
D746,950 S *	1/2016	Castrigno	.....	D23/259
D746,952 S *	1/2016	Gledhill	.....	D23/259
D746,957 S *	1/2016	Castrigno	.....	D23/262
D751,673 S *	3/2016	Gledhill	.....	D23/259
D751,674 S *	3/2016	Gledhill	.....	D23/259

\* cited by examiner

*Primary Examiner* — Amy C Wierenga

(74) *Attorney, Agent, or Firm* — Dennemeyer & Associates, LLC

(57) **CLAIM**

The ornamental design for a valve, as shown and described in the accompanying drawings.

**DESCRIPTION**

FIG. 1 is a perspective view of the valve;  
FIG. 2 is a front side elevational view of the valve;  
FIG. 3 is a rear side elevational view of the valve;  
FIG. 4 is a left side elevational view of the valve;  
FIG. 5 is a right side elevational view of the valve;  
FIG. 6 is a top plan view of the valve; and,  
FIG. 7 is a bottom plan view of the valve.  
The dashed broken lines in the drawings depict portions of the valve that form no part of the claim.

**1 Claim, 7 Drawing Sheets**

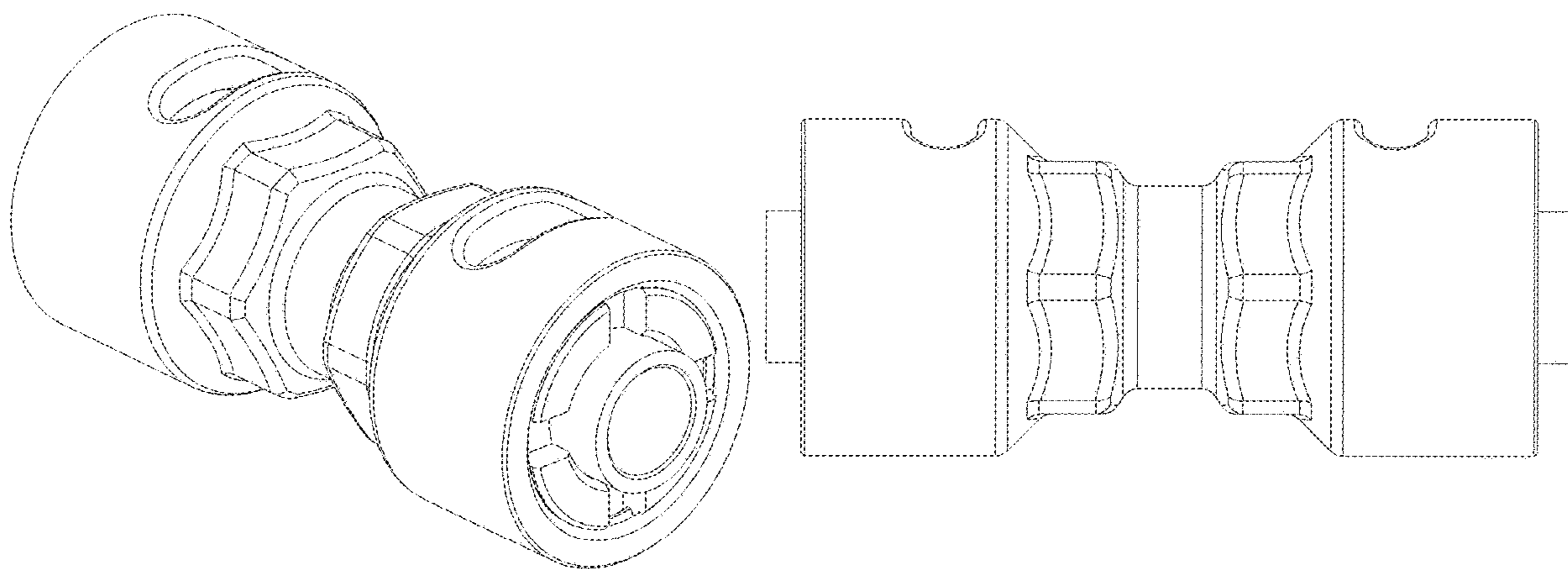


Fig. 1

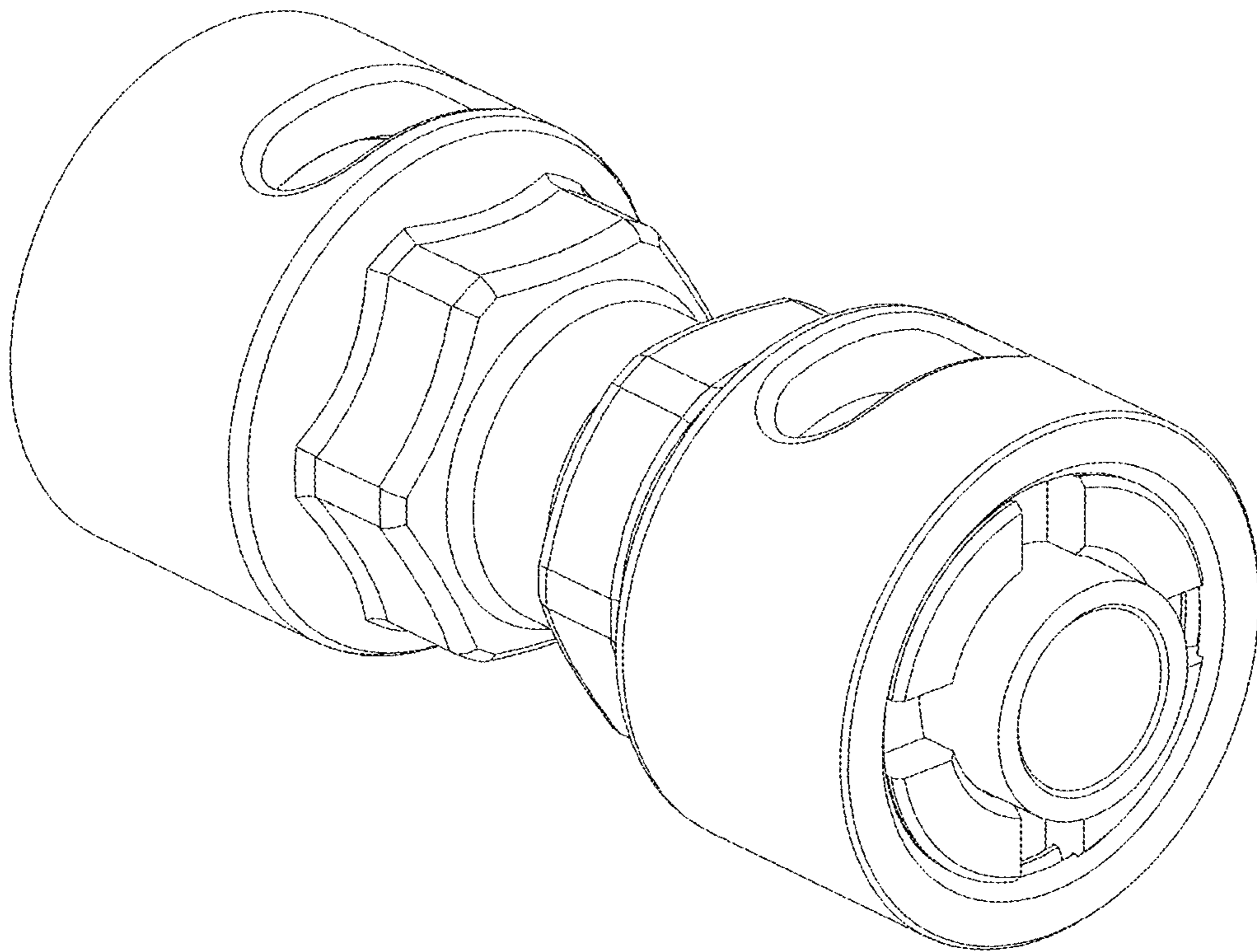


Fig. 2

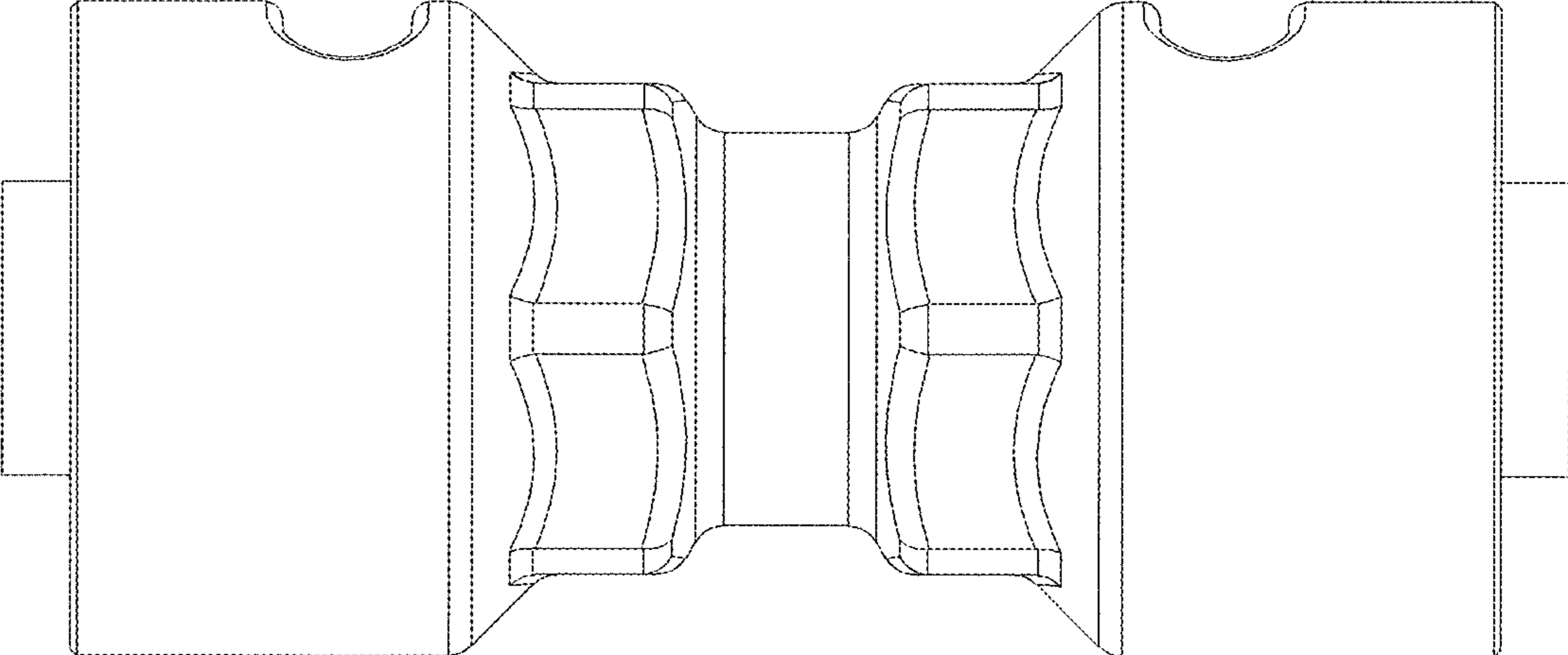


Fig. 3

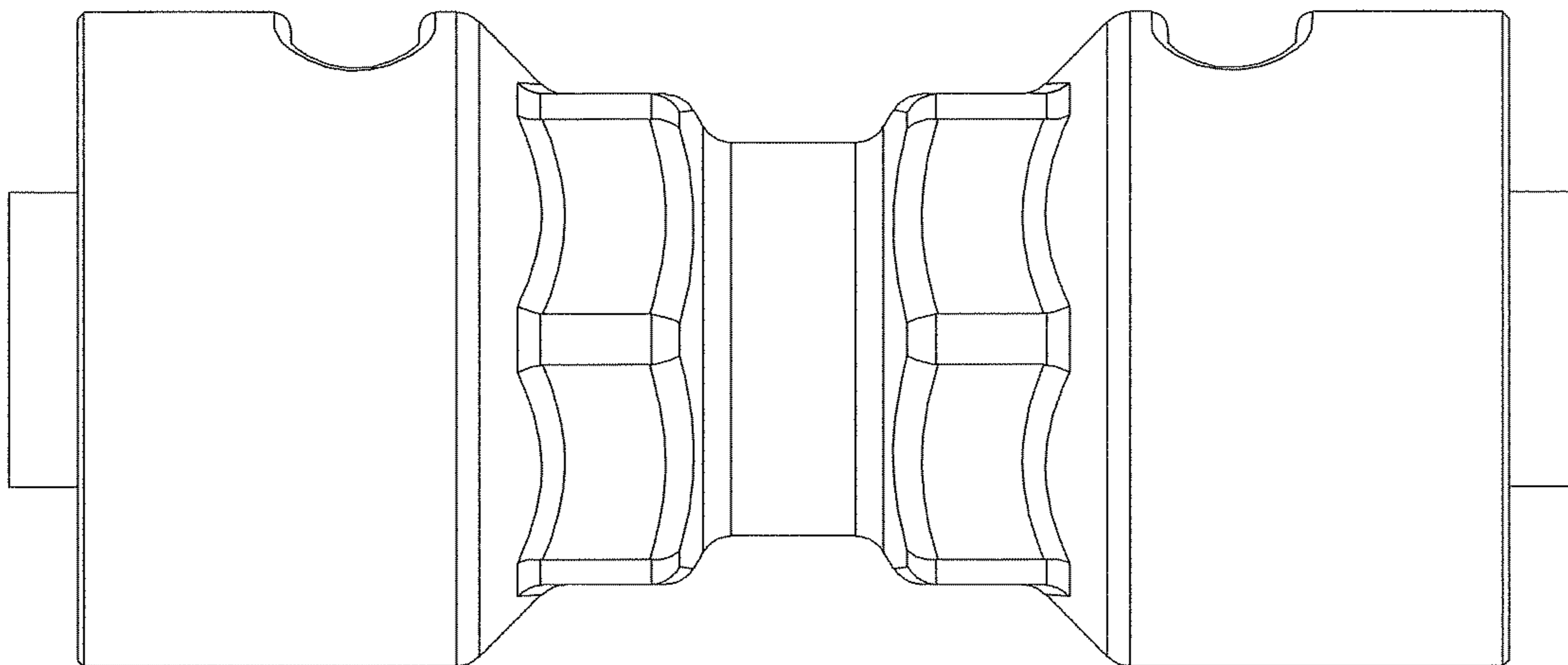


Fig. 4

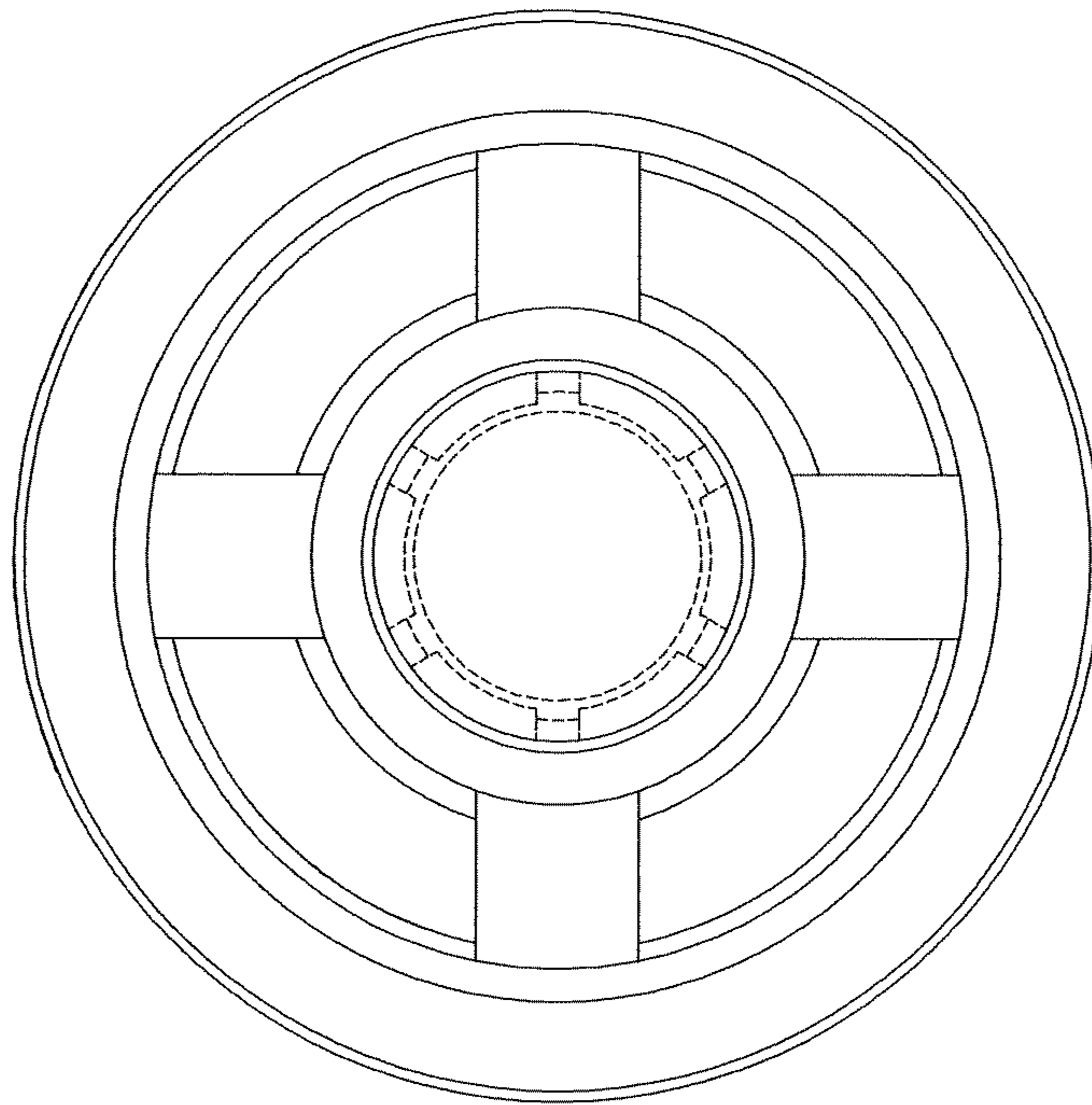


Fig. 5

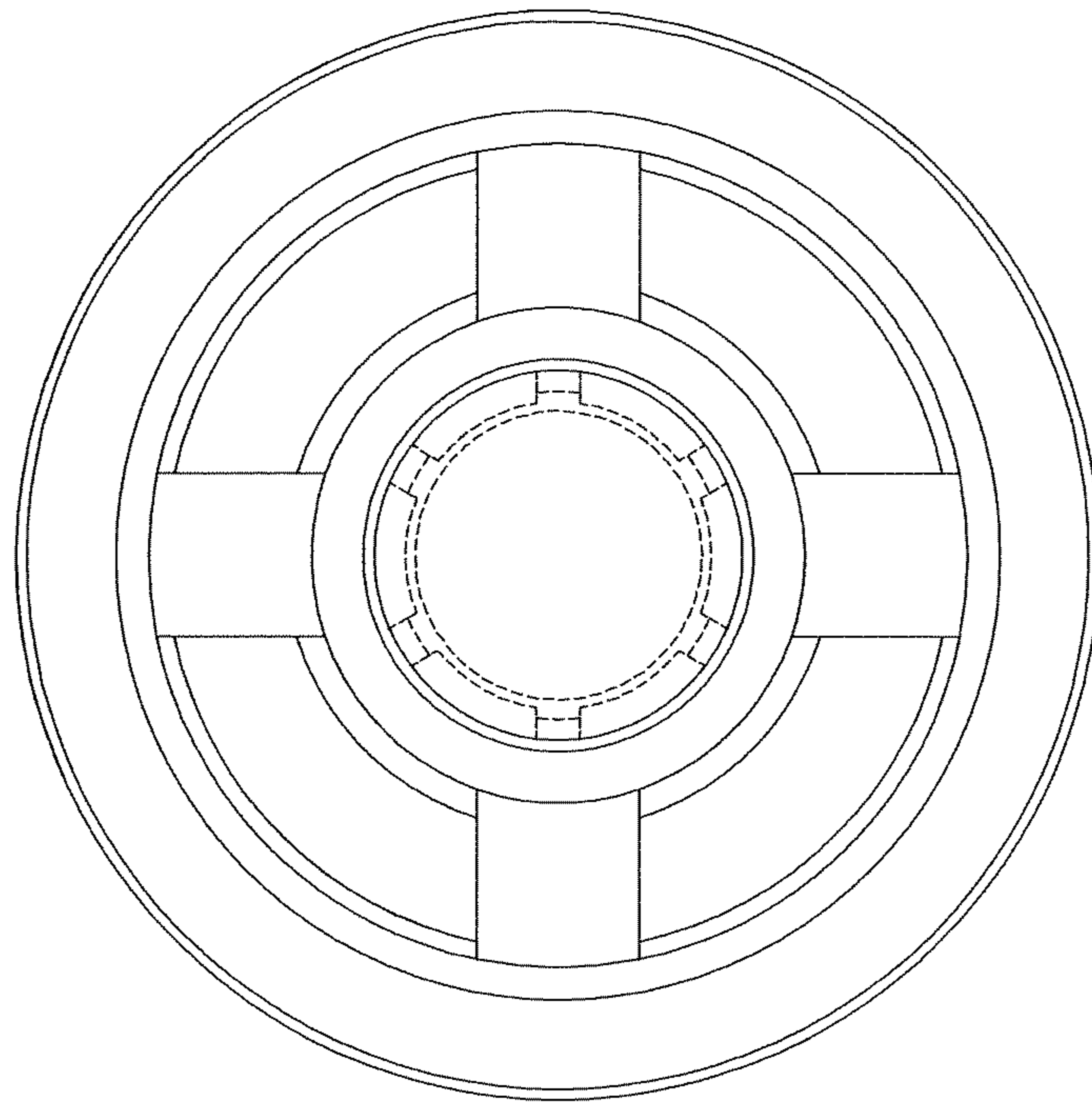


Fig. 6

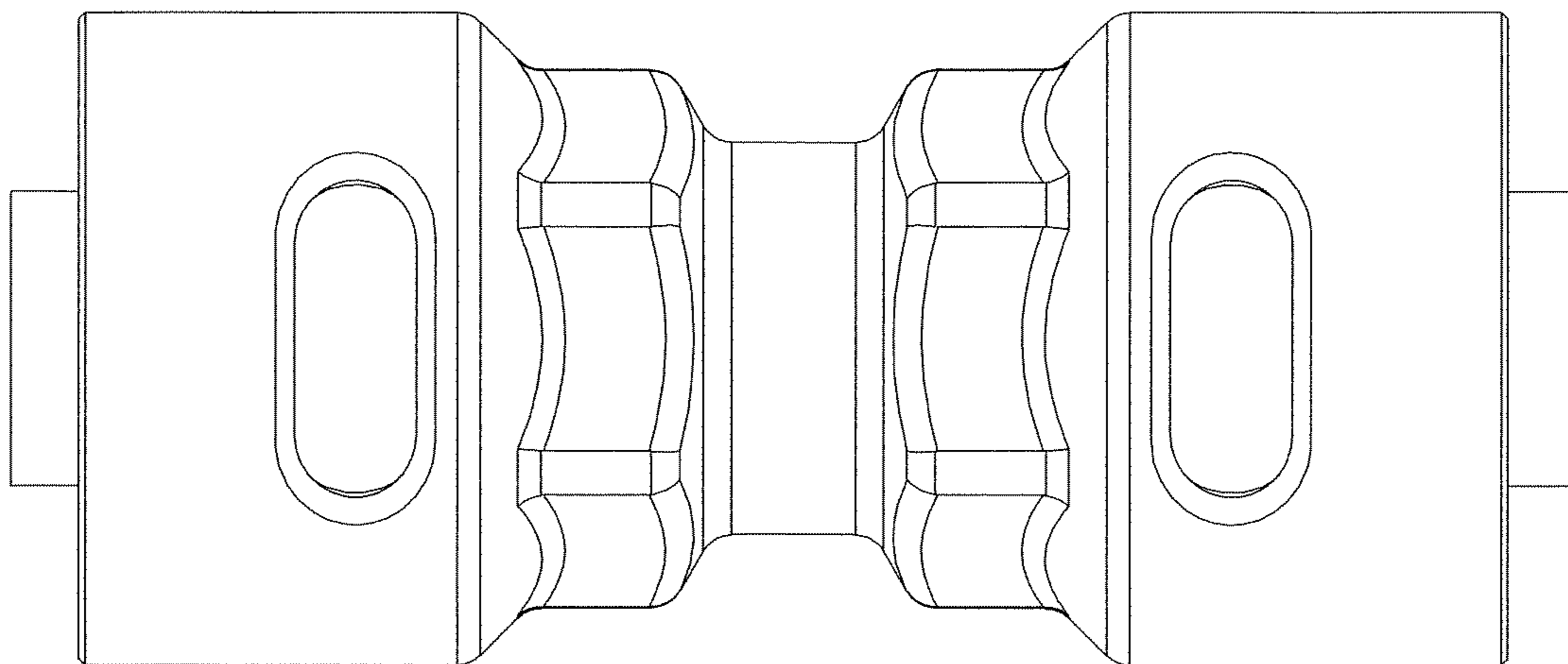


Fig. 7

