



US00D886246S

(12) **United States Design Patent**  
**Wilson et al.**

(10) **Patent No.:** **US D886,246 S**  
(45) **Date of Patent:** **\*\* Jun. 2, 2020**

- (54) **THREE-WAY CONNECTOR**
- (71) Applicant: **SEQUOIA GARDEN SUPPLY, INC.**,  
Fresno, CA (US)
- (72) Inventors: **Daniel J. Wilson**, Fresno, CA (US);  
**Simon Tyrcha**, Fresno, CA (US)
- (73) Assignee: **SEQUOIA GARDEN SUPPLY, INC.**,  
Fresno, CA (US)

- D607,090 S \* 12/2009 Johnson ..... D23/262
- D627,039 S 11/2010 Yu
- D676,941 S 1/2013 Kluss et al.
- D676,942 S 2/2013 Kluss et al.
- 8,584,968 B2 \* 11/2013 Nelson ..... F16L 3/18  
239/162
- D705,402 S 5/2014 Yu
- D712,015 S 8/2014 Yu
- D722,141 S \* 2/2015 Luke ..... D23/263
- D726,285 S 4/2015 Menno et al.

(Continued)

(\*\*) Term: **15 Years**

*Primary Examiner* — Amy C Wierenga

(74) *Attorney, Agent, or Firm* — William K. Nelson

(21) Appl. No.: **29/643,156**

(57) **CLAIM**

We claim the ornamental designs for a three-way connector, as shown and described.

(22) Filed: **Apr. 5, 2018**

(51) **LOC (12) Cl.** ..... **23-01**

(52) **U.S. Cl.**  
USPC ..... **D23/259**

**DESCRIPTION**

(58) **Field of Classification Search**  
USPC ..... D23/259–265; D8/72, 382–383,  
D8/394–396; 285/125.1, 126.1, 129.1,  
285/133.3, 133.4, 133.11, 136.1, 139.3  
CPC ..... F16L 37/133  
See application file for complete search history.

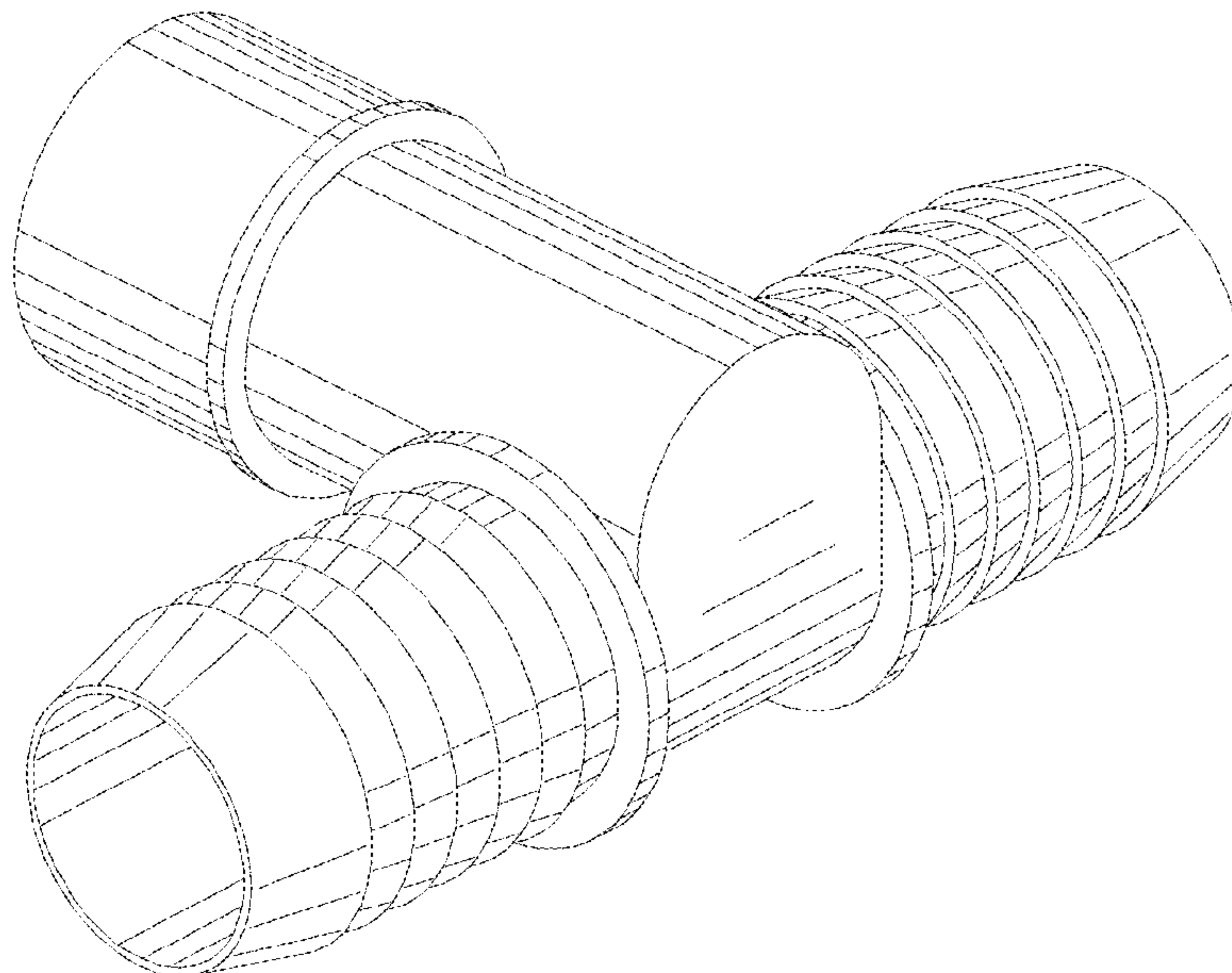
FIG. 1 is a top perspective view of the three-way connector; FIG. 2 is a rear perspective view of the three-way connector of FIG. 1; FIG. 3 is a bottom perspective view of the three-way connector of FIG. 1; FIG. 4 is a top view of the three-way connector of FIG. 1; FIG. 5 is a bottom view of the three-way connector of FIG. 1; FIG. 6 is a view of the first side of the three-way connector of FIG. 1; FIG. 7 is a view of the second side of the three-way connector of FIG. 1; FIG. 8 is a front view of the three-way connector of FIG. 1; and, FIG. 9 is a back view of the three-way connector of FIG. 1. The angled, broken lines running along the exterior and interior surfaces of the walls of the hydroponic growing unit indicate surface texture and contour, and not surface decoration.

(56) **References Cited**

U.S. PATENT DOCUMENTS

- 3,831,983 A \* 8/1974 Stickler ..... F16L 19/025  
285/12
- 3,957,292 A \* 5/1976 Diggs ..... A01G 25/023  
285/130.1
- 3,966,233 A \* 6/1976 Diggs ..... A01G 25/023  
405/48
- D260,810 S \* 9/1981 Cleveland ..... D15/5
- 5,772,262 A \* 6/1998 Dupont ..... F16L 33/22  
285/242
- D441,435 S \* 5/2001 Patteson ..... D23/262
- D454,940 S \* 3/2002 Hoenig ..... D23/259
- D550,334 S 9/2007 De Alba

**1 Claim, 4 Drawing Sheets**



(56)

**References Cited**

U.S. PATENT DOCUMENTS

D727,471 S	4/2015	Corcoran	
D731,628 S *	6/2015	Guest .....	D23/262
D738,472 S	9/2015	Bednarz et al.	
D741,459 S *	10/2015	Guest .....	D23/262
D743,511 S	11/2015	Bednarz et al.	
D746,954 S	1/2016	Gledhill et al.	
D746,956 S *	1/2016	Castrigno .....	D23/262
D803,673 S	11/2017	Espinosa et al.	
D803,993 S *	11/2017	McCollum .....	D23/262

\* cited by examiner

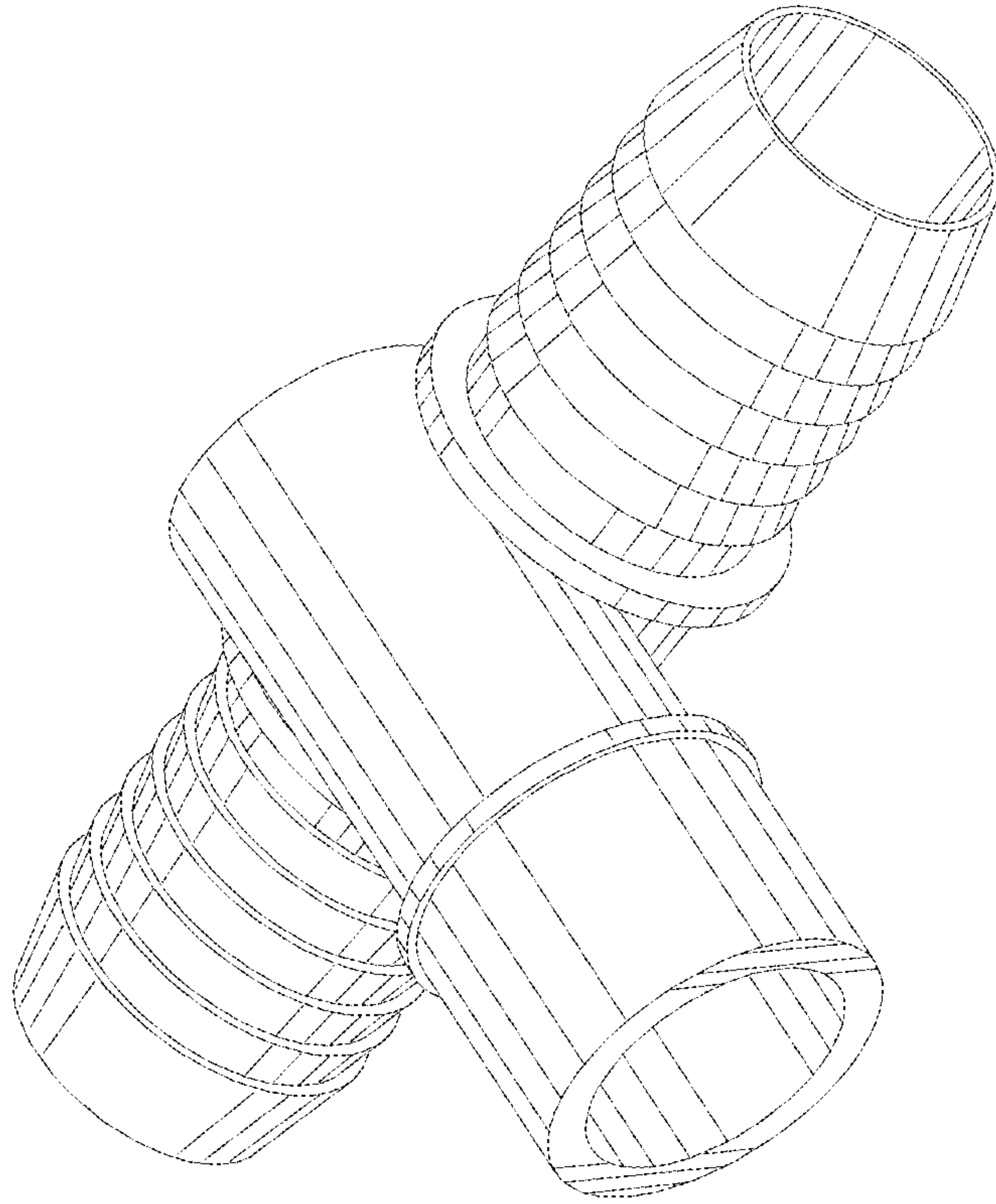


FIG. 2

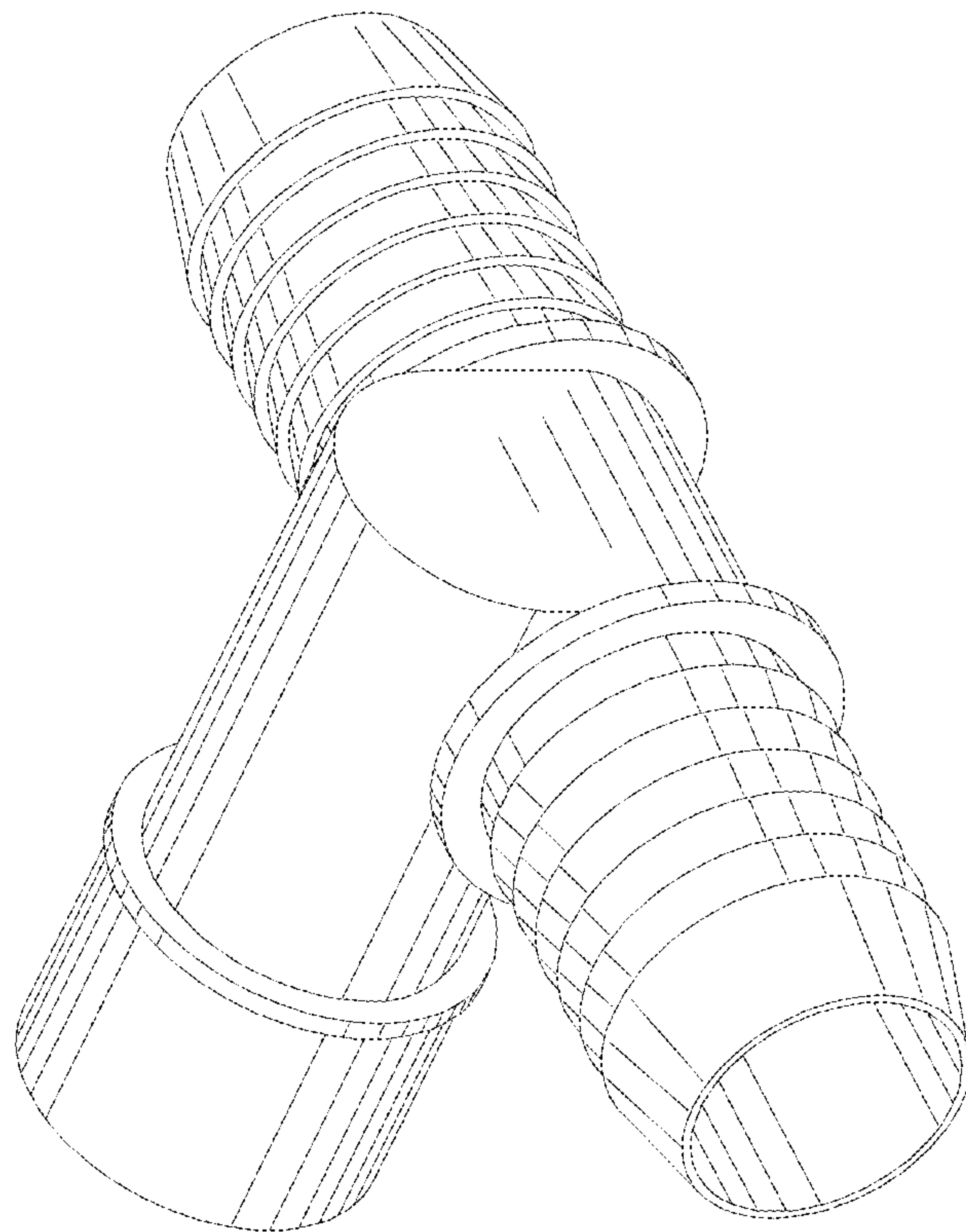


FIG. 1

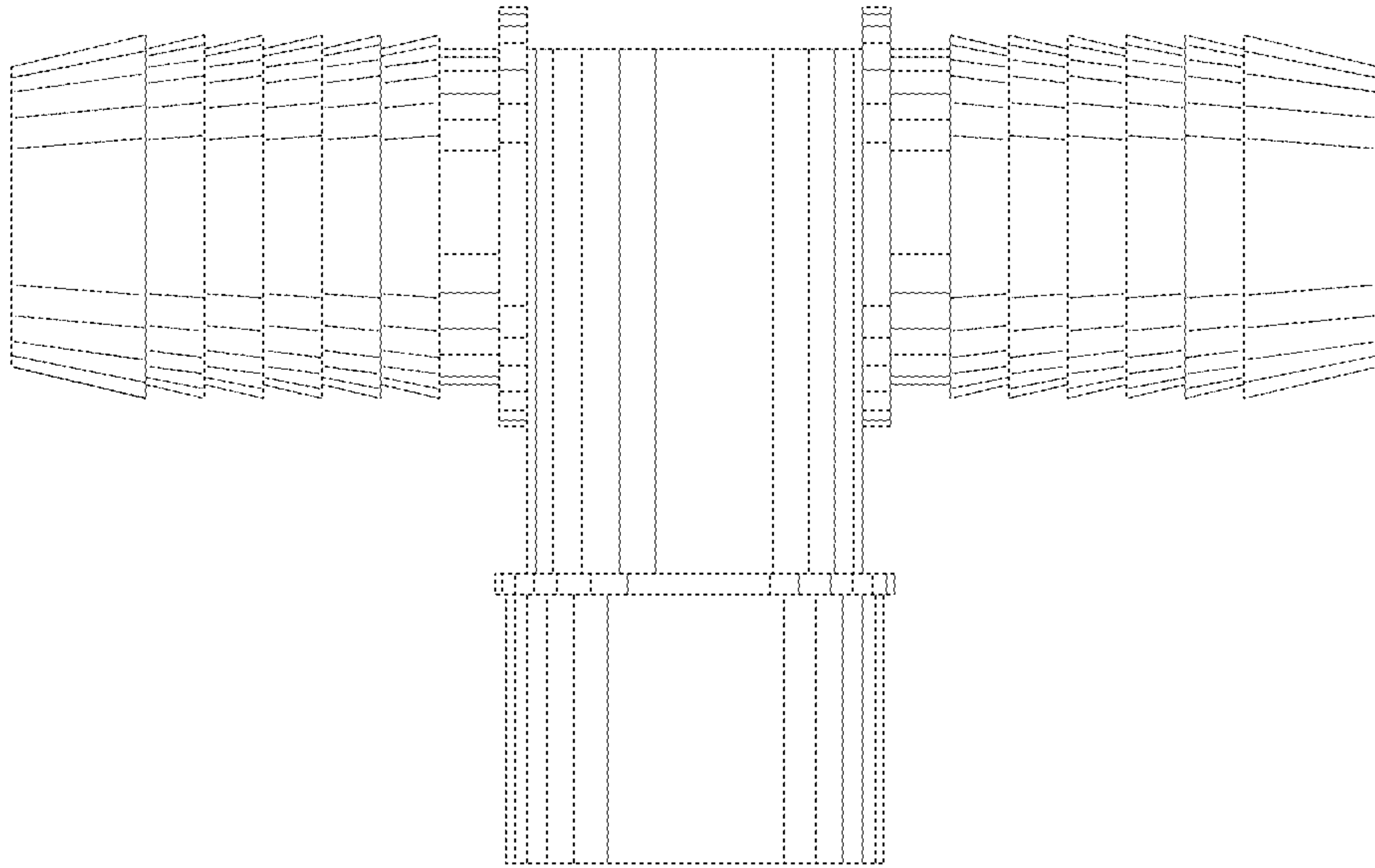


FIG. 4

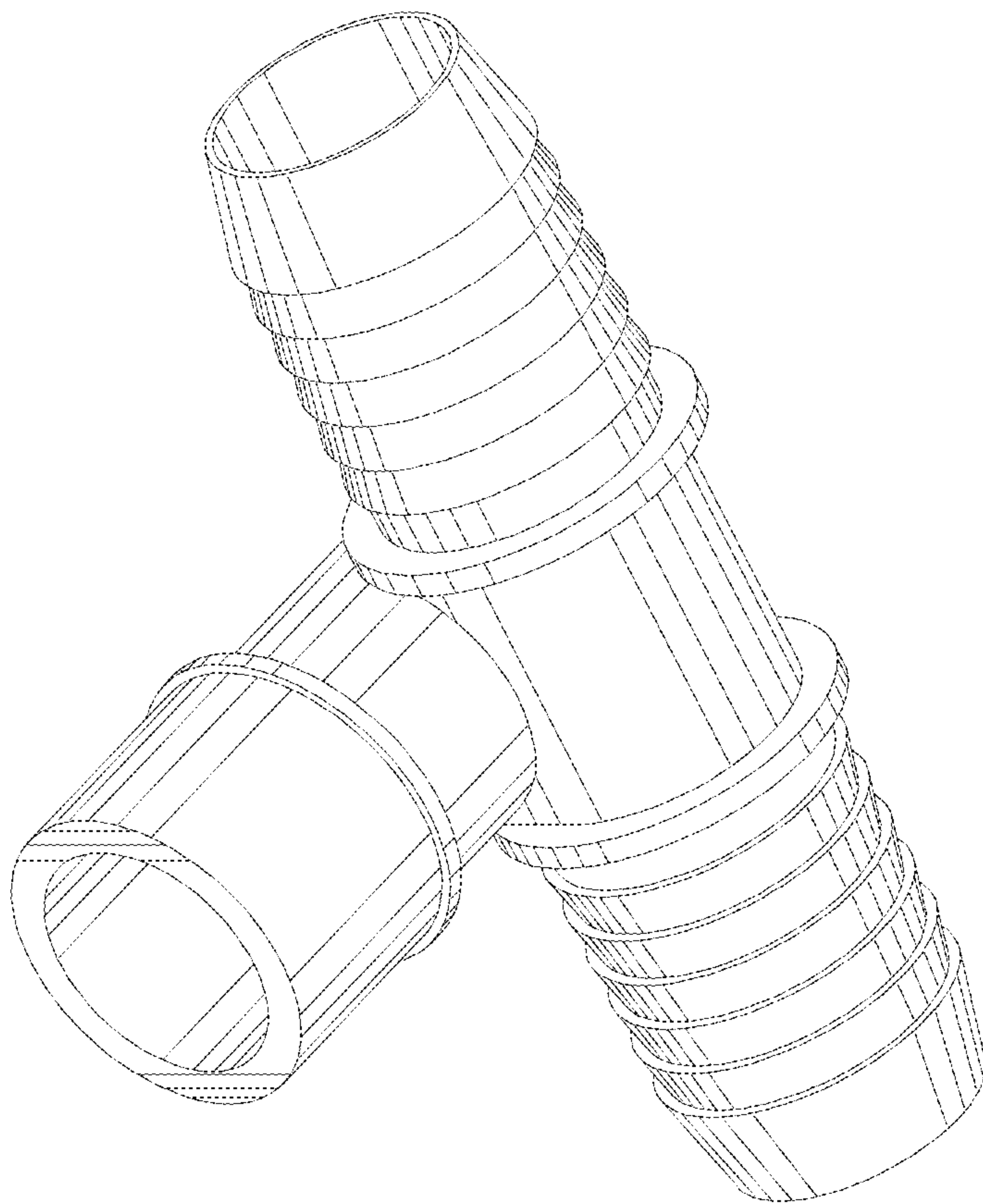


FIG. 3



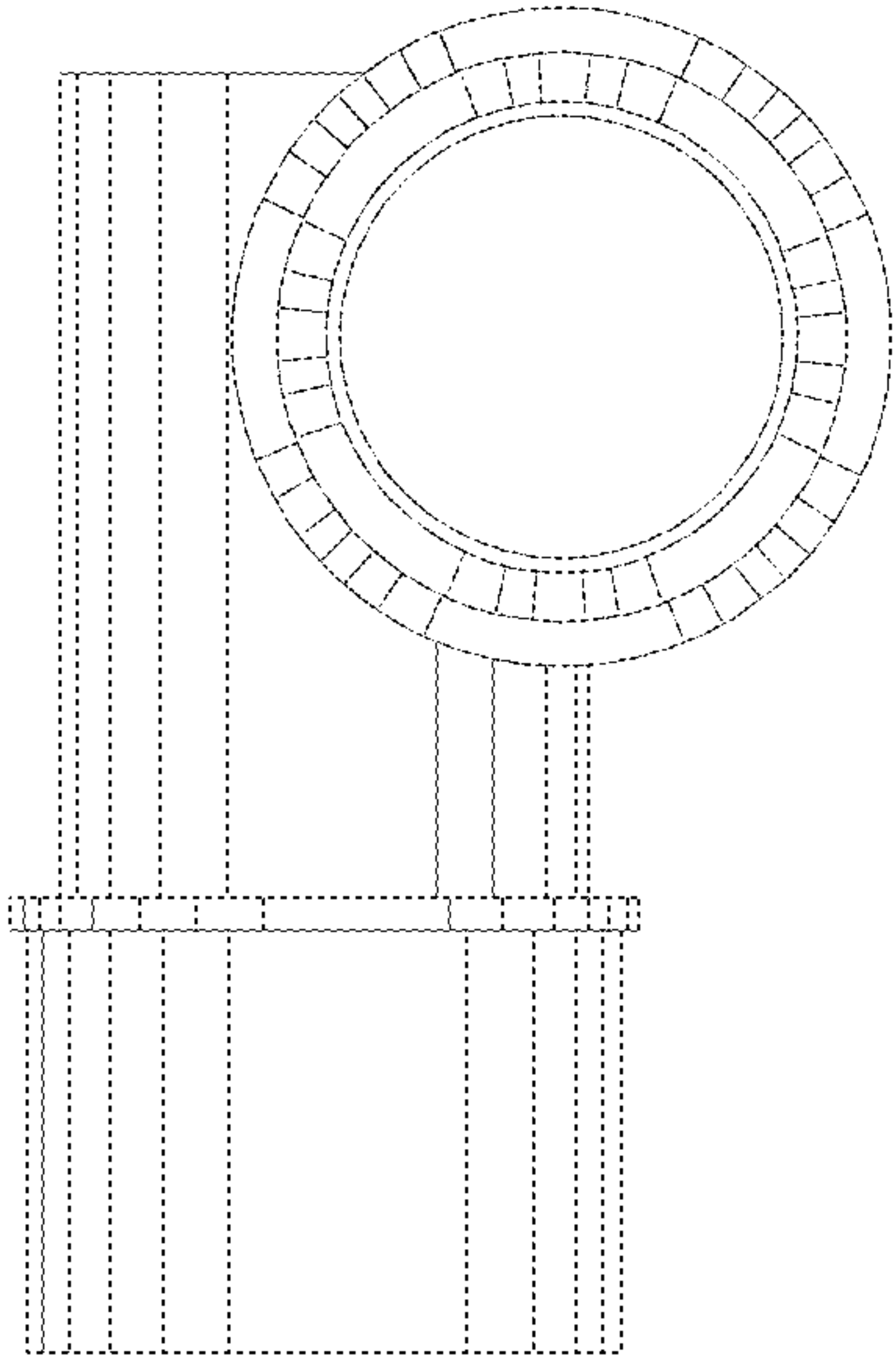


FIG. 6

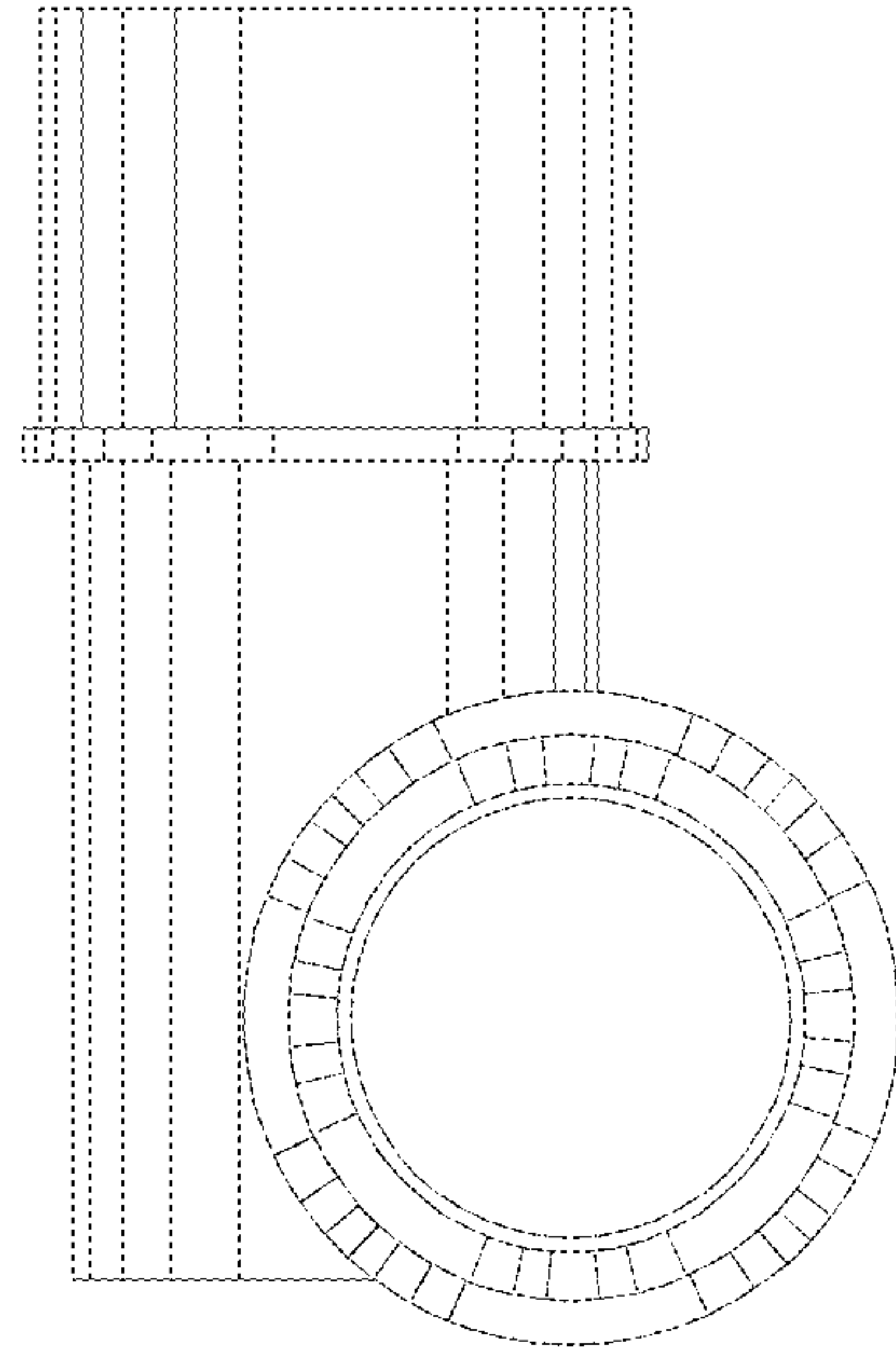


FIG. 7

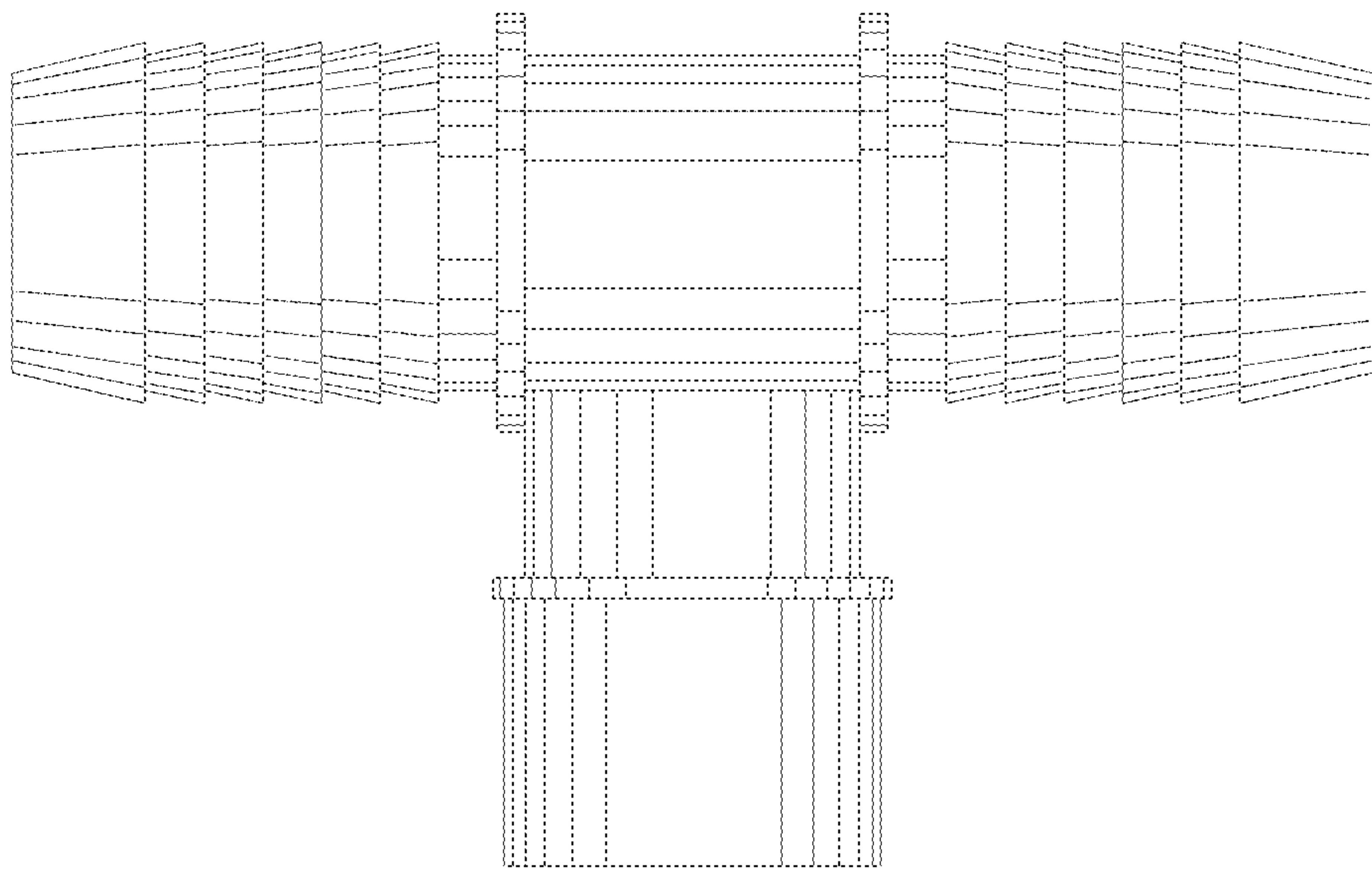


FIG. 5

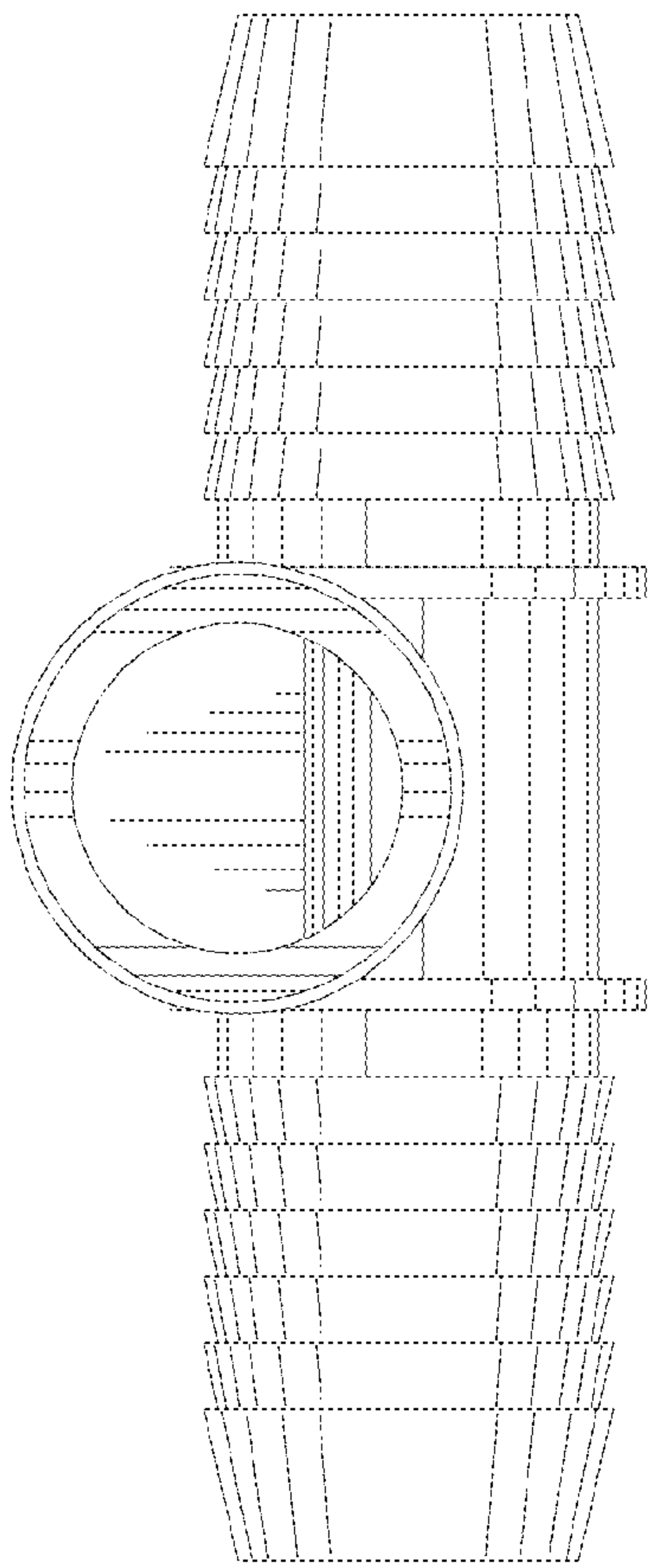


FIG. 8

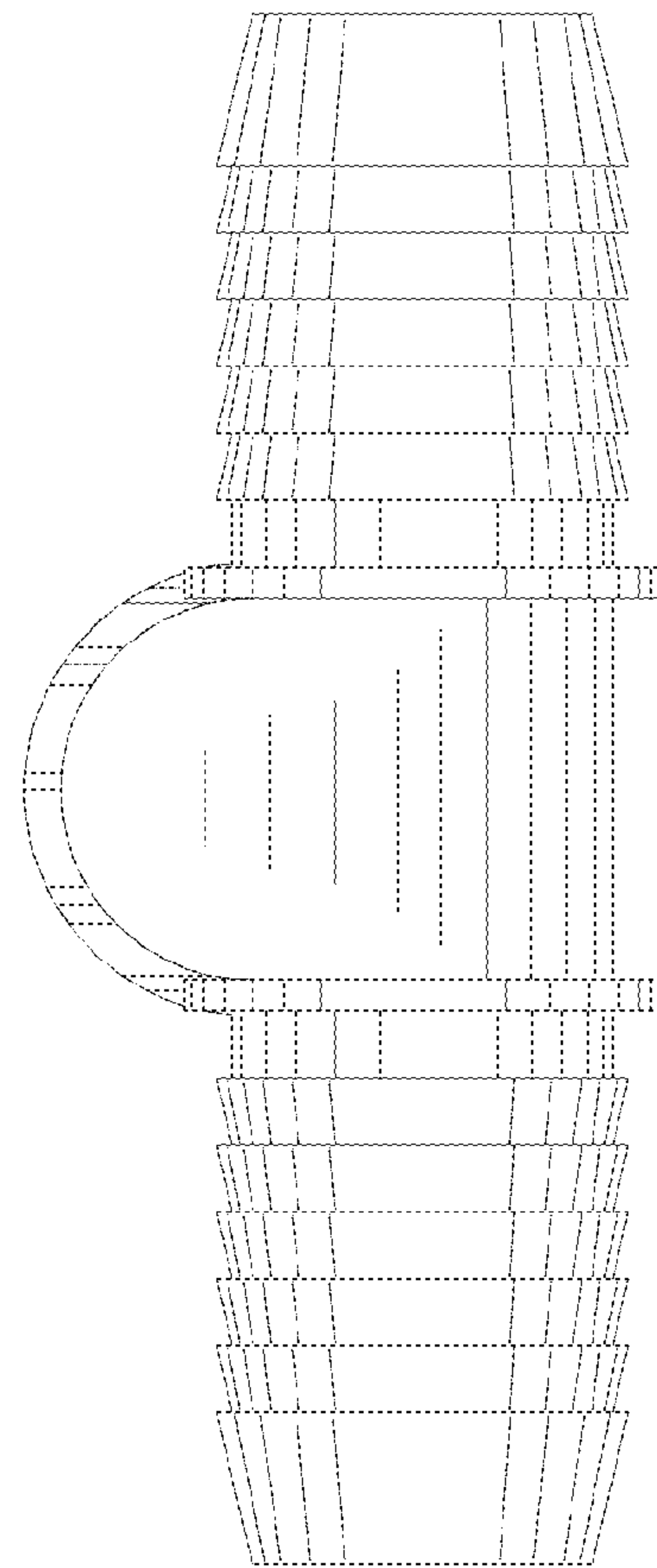


FIG. 9