



US00D886244S

(12) **United States Design Patent** (10) **Patent No.:** **US D886,244 S**
Eads (45) **Date of Patent:** **** Jun. 2, 2020**

(54) **FAUCET SPOUT**

FOREIGN PATENT DOCUMENTS

(71) Applicant: **DELTA FAUCET COMPANY,**
Indianapolis, IN (US)

CN 201730006433 * 1/2017
WO WO-D083226-010 * 1/2014

(72) Inventor: **Thad Eads,** Urbana, IN (US)

OTHER PUBLICATIONS

(73) Assignee: **DELTA FAUCET COMPANY,**
Indianapolis, IN (US)

Amazon, Kingston Kitchen Faucet, posted Jul. 26, 2005, [online],
[visited May 29, 2019]. Internet, URL: https://www.amazon.com/Kingston-Brass-KS8471DL-Concord-Polished/dp/B001PPDSH6/ref=olp_product_details?_encoding=UTF8&me= (Year: 2005).*

(**) Term: **15 Years**

* cited by examiner

(21) Appl. No.: **29/642,181**

(22) Filed: **Mar. 28, 2018**

Primary Examiner — Sheryl Lane

(51) **LOC (12) Cl.** **23-01**

Assistant Examiner — Samantha N Wood

(52) **U.S. Cl.**
USPC **D23/255**

(74) *Attorney, Agent, or Firm* — Nirav D. Parikh; Edgar
A. Zarins

(58) **Field of Classification Search**
USPC D23/238–243, 249, 255–257, 309, 250,
D23/252
CPC ... Y10T 137/9464; E03C 1/04; E03C 1/0404;
E03C 1/0407

(57) **CLAIM**

The ornamental design for a faucet spout, as shown and
described.

See application file for complete search history.

DESCRIPTION

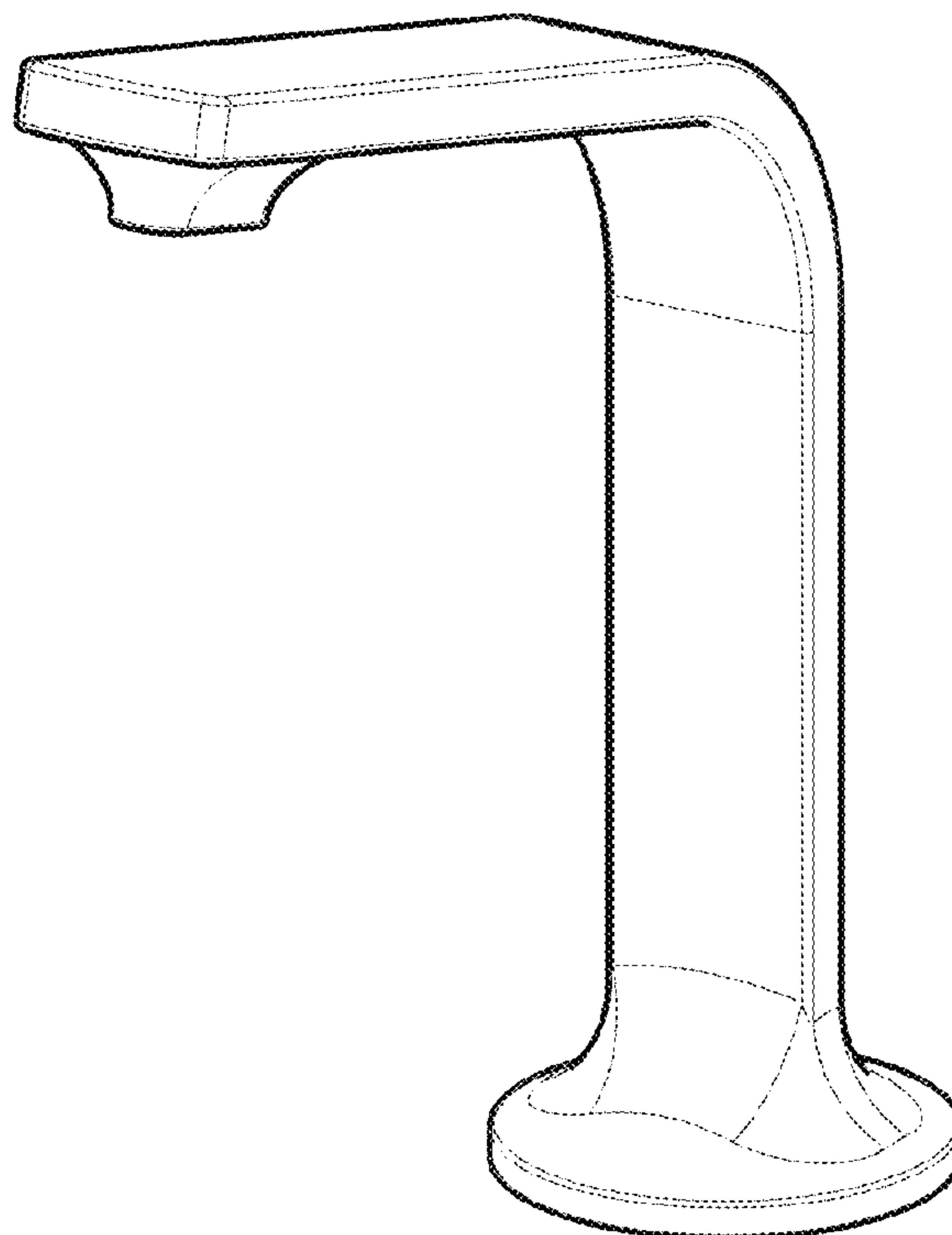
(56) **References Cited**

FIG. 1 is a front perspective view of a faucet spout showing
my new design;
FIG. 2 is a rear perspective view thereof;
FIG. 3 is a front elevational view thereof;
FIG. 4 is a left side view thereof;
FIG. 5 is a rear view thereof;
FIG. 6 is a right side view thereof; and,
FIG. 7 is a top plan view thereof.

U.S. PATENT DOCUMENTS

D522,092 S	*	5/2006	Hoernig	D23/238
D607,974 S	*	1/2010	Flowers	D23/238
D692,109 S	*	10/2013	Garland	D23/255
D760,360 S	*	6/2016	Kawakami	D23/255
D799,643 S	*	10/2017	Sieger	D23/239
D800,272 S	*	10/2017	Andrew	D23/255
D810,890 S	*	2/2018	Takayama	D23/255
D811,544 S	*	2/2018	Takayama	D23/252

1 Claim, 4 Drawing Sheets



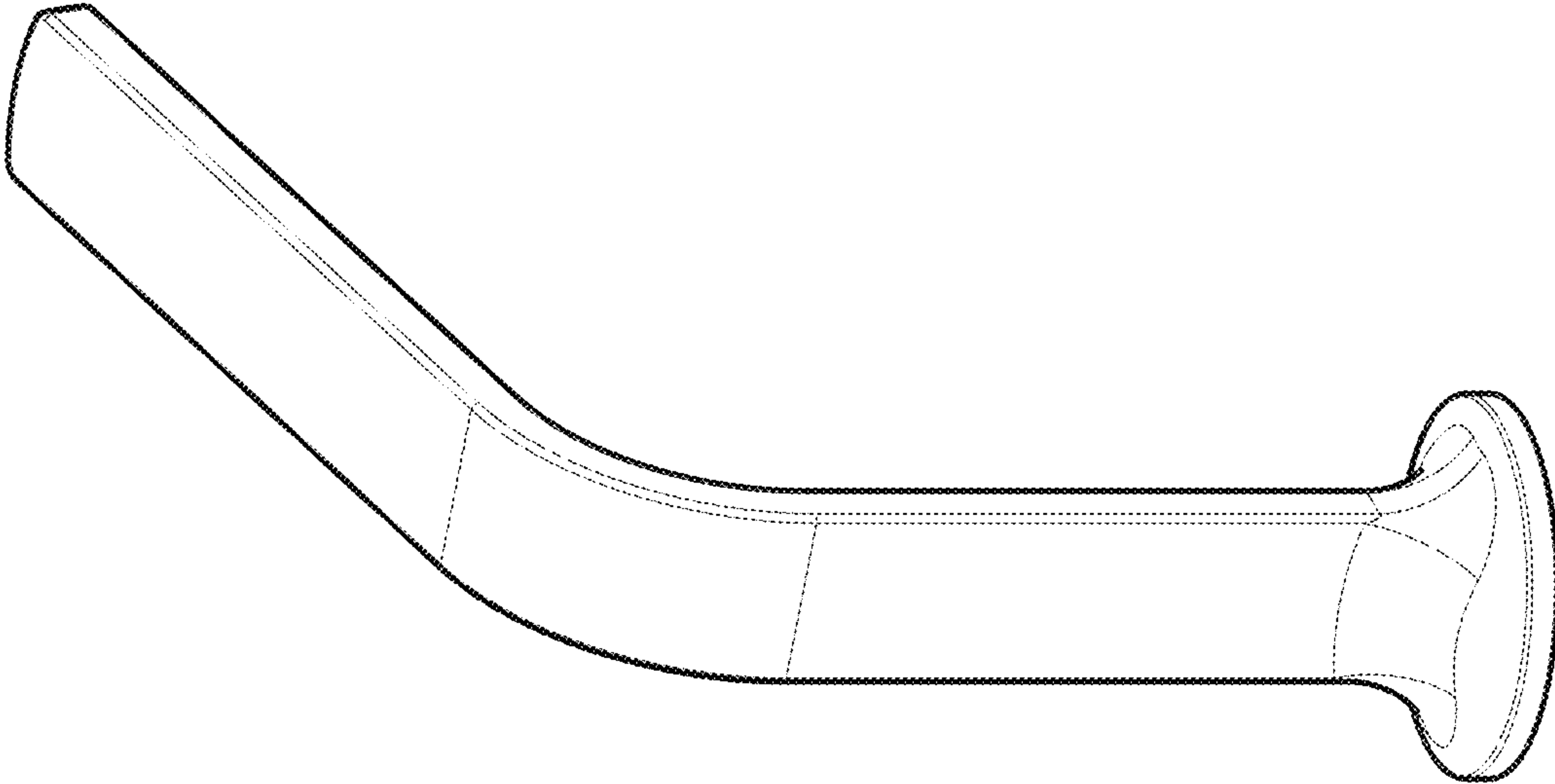


Fig. 2

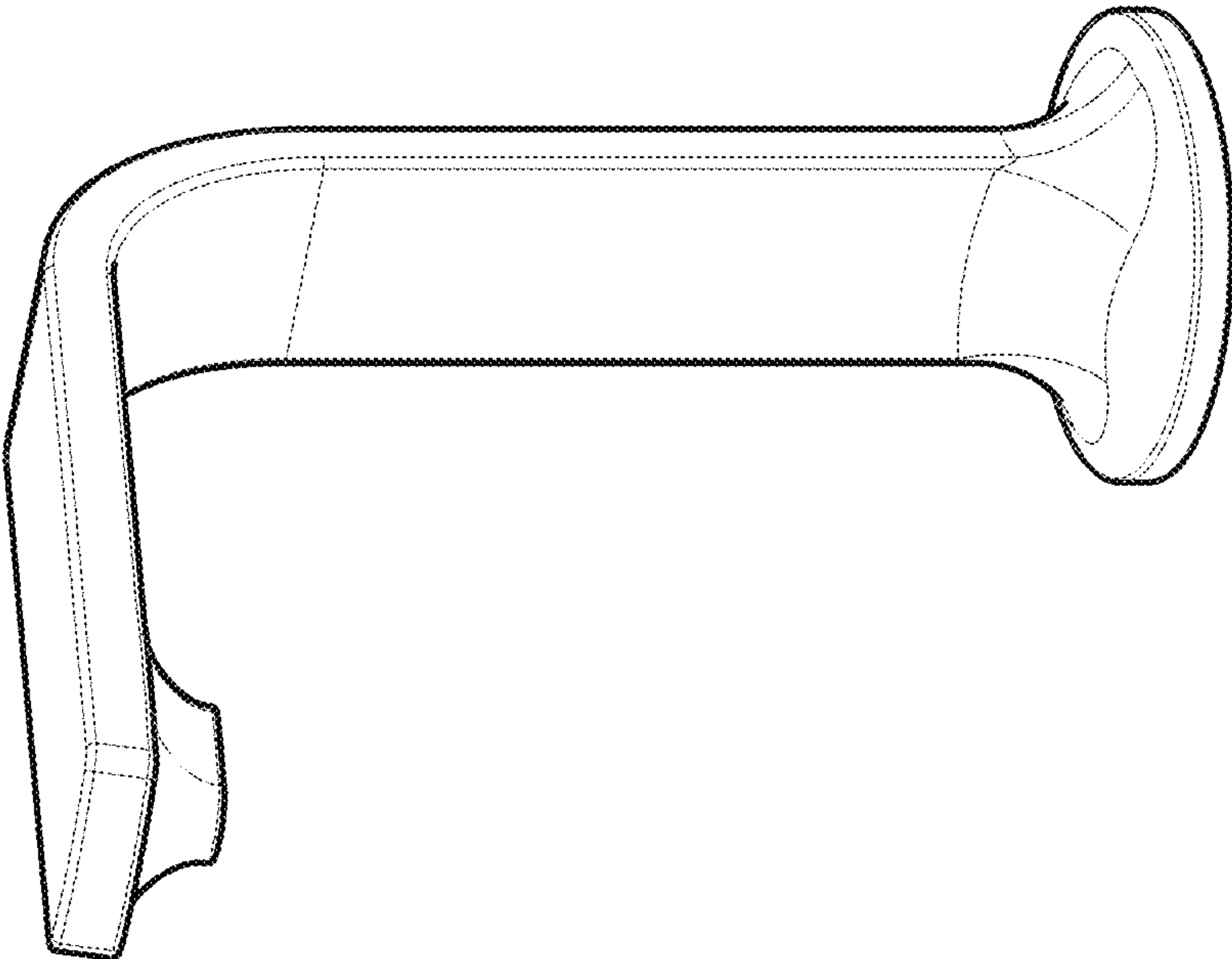


Fig. 1

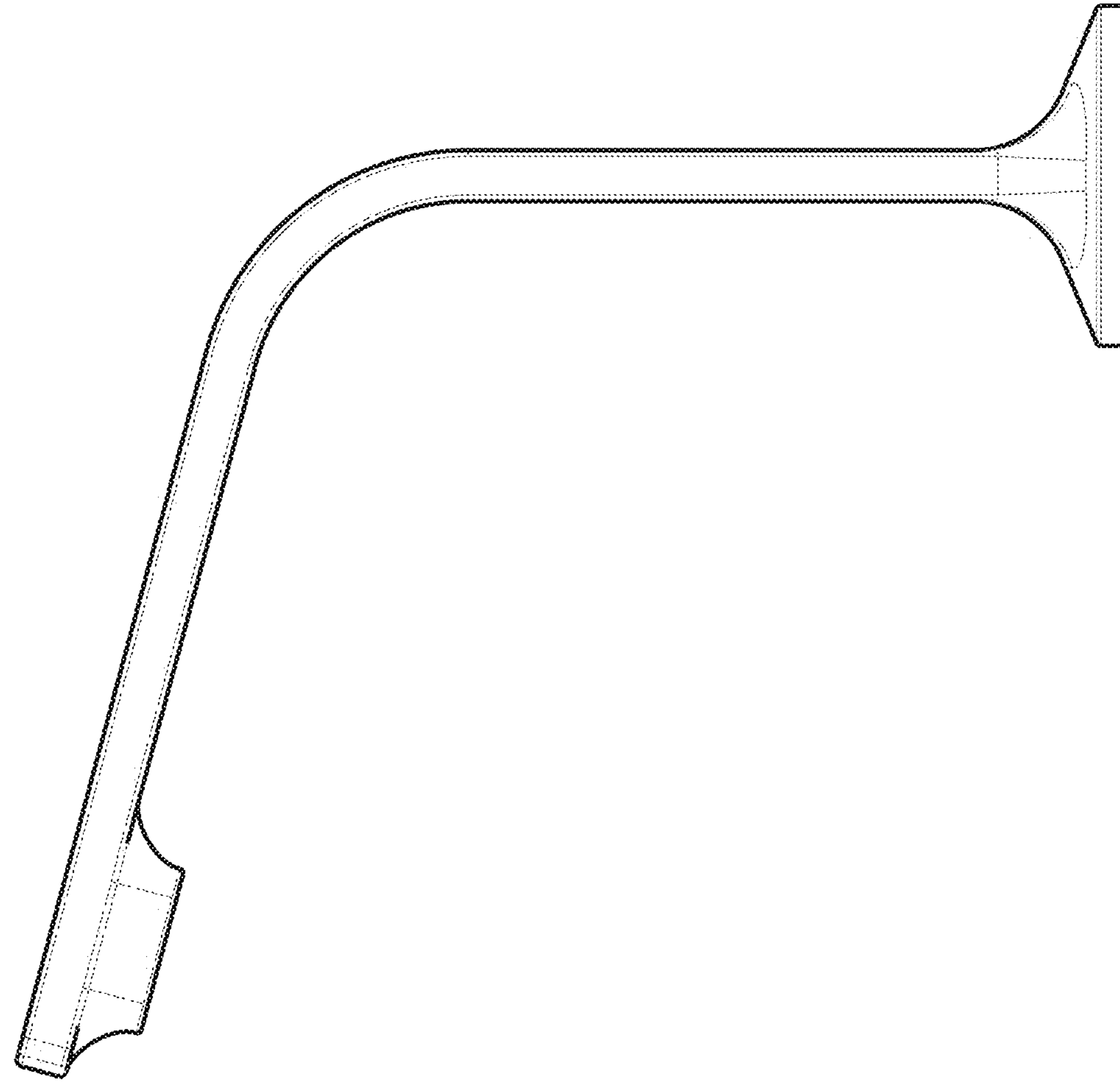


Fig. 4

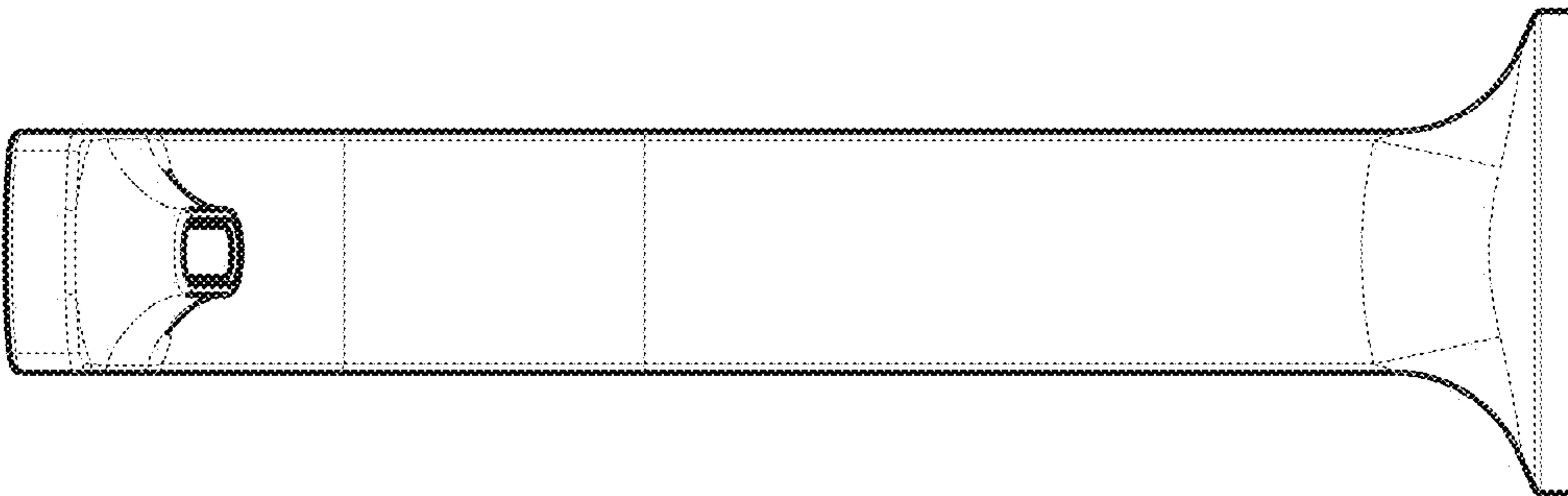


Fig. 3

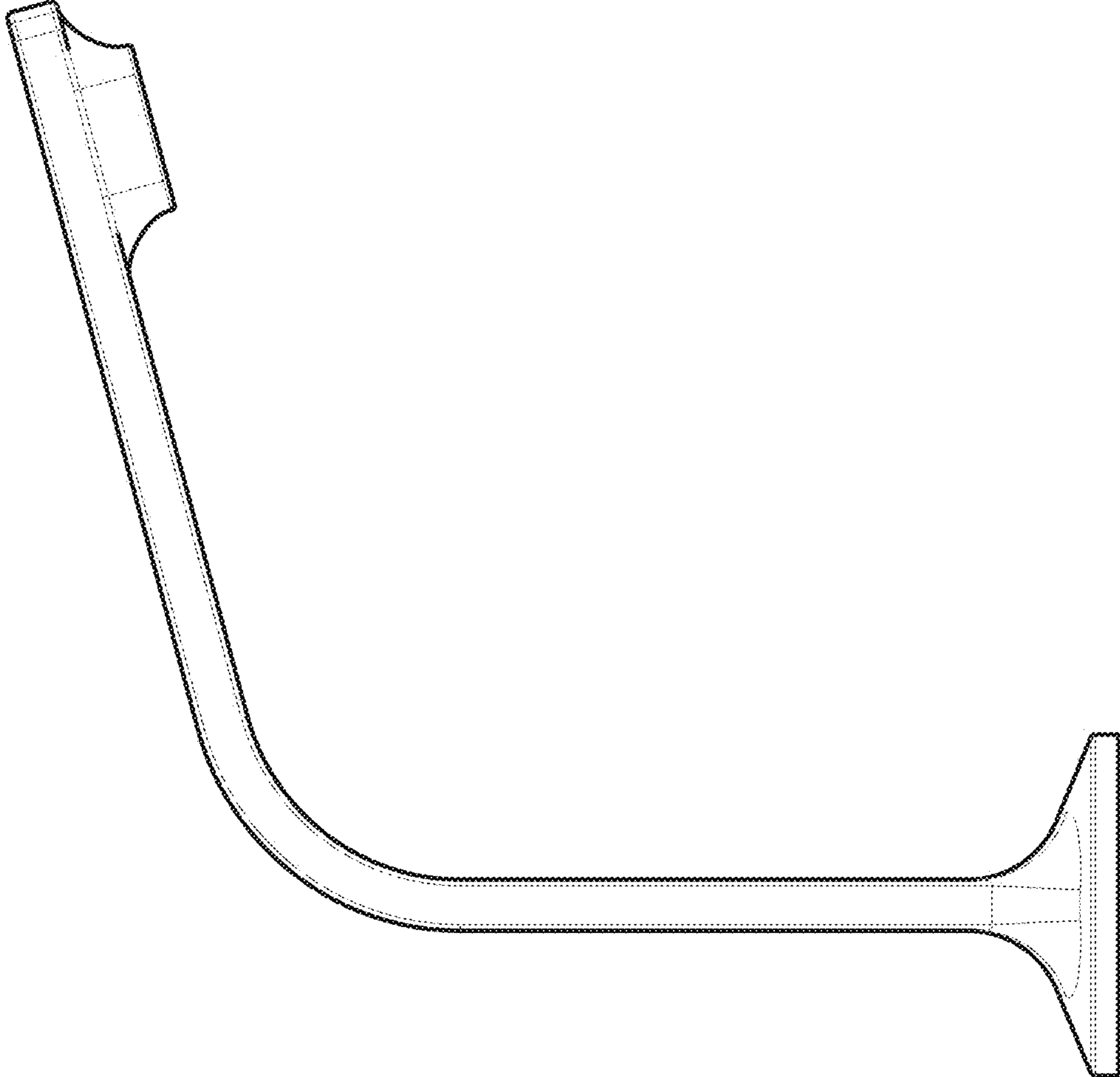


Fig. 6

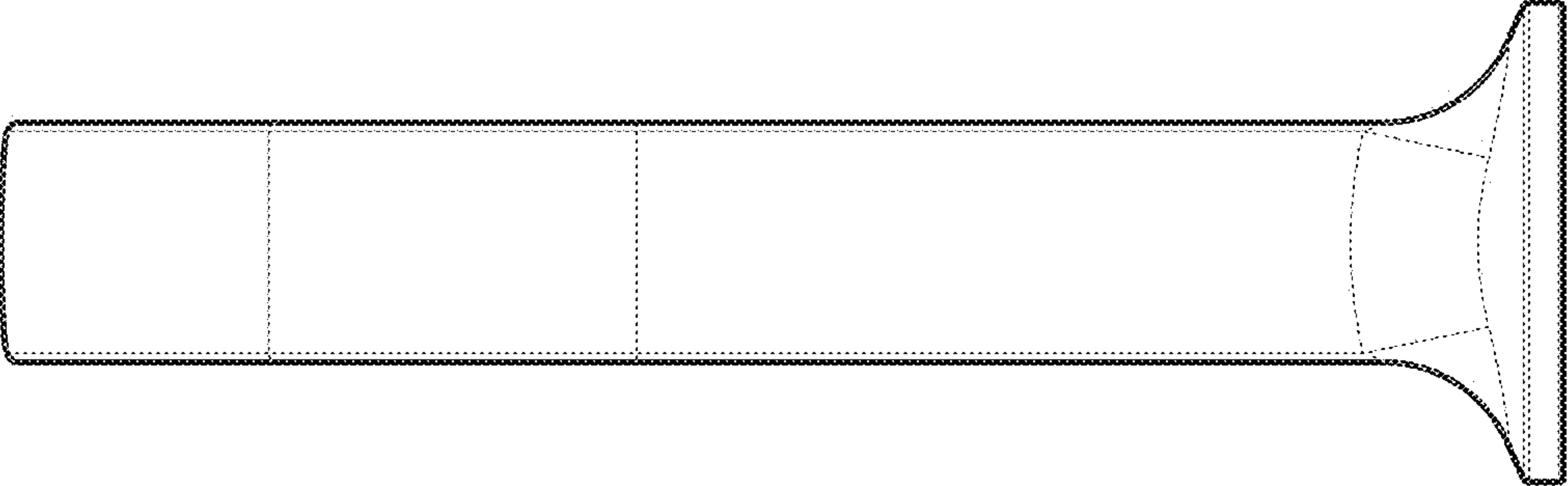


Fig. 5

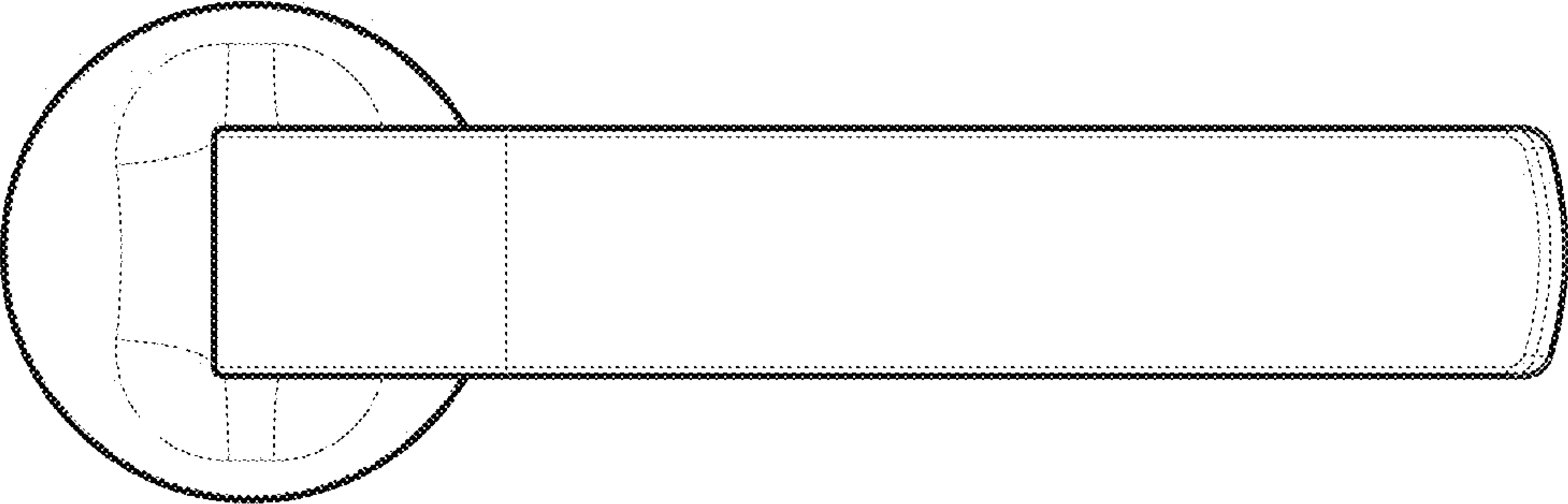


Fig. 7