



US00D886243S

(12) **United States Design Patent**
Tsai

(10) **Patent No.:** **US D886,243 S**

(45) **Date of Patent:** **** Jun. 2, 2020**

(54) **FAUCET HANDLE**

(71) Applicant: **GLOBE UNION INDUSTRIAL CORP.**, Taichung (TW)

(72) Inventor: **Tun-Yao Tsai**, Taichung (TW)

(73) Assignee: **GLOBE UNION INDUSTRIAL CORP.**, Taichung (TW)

(**) Term: **15 Years**

(21) Appl. No.: **29/673,977**

(22) Filed: **Dec. 19, 2018**

(51) **LOC (12) Cl.** **23-01**

(52) **U.S. Cl.**
USPC **D23/252**

(58) **Field of Classification Search**
USPC D23/238, 241–243, 249–254;
D8/307–308
CPC Y10T 137/9464; Y10T 137/6014; Y10T
137/6017
See application file for complete search history.

(56) **References Cited**

U.S. PATENT DOCUMENTS

D171,571 S * 3/1954 Baker, Jr. D23/241
D241,844 S * 10/1976 Shames D23/252

D258,982 S * 4/1981 Saporito D23/242
D460,532 S * 7/2002 Marcichow D23/250
D541,909 S * 5/2007 Schonherr D23/252
D655,397 S * 3/2012 Huang D23/252

* cited by examiner

Primary Examiner — Robert A Delehanty

(74) *Attorney, Agent, or Firm* — Leong C. Lei

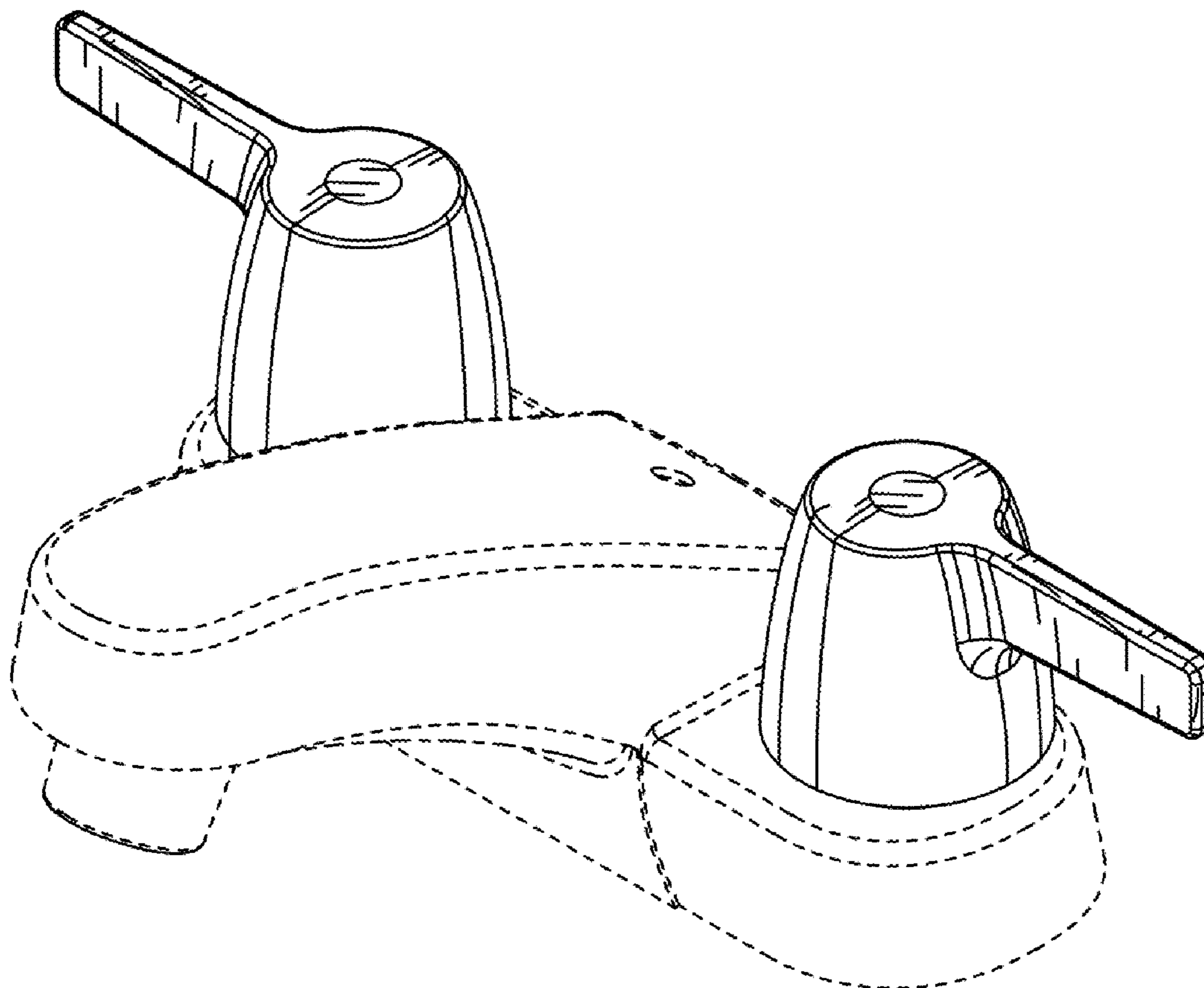
(57) **CLAIM**

The ornamental design for a faucet handle, as shown and described.

DESCRIPTION

FIG. 1 is a perspective view of a faucet handle showing my new design;
FIG. 2 is a front elevational view thereof;
FIG. 3 is a rear elevational view thereof;
FIG. 4 is a left side elevational view thereof;
FIG. 5 is a right side elevational view thereof;
FIG. 6 is a top plan view thereof; and,
FIG. 7 is a bottom plan view thereof.
The portions shown in broken lines form no part of the claimed design.

1 Claim, 6 Drawing Sheets



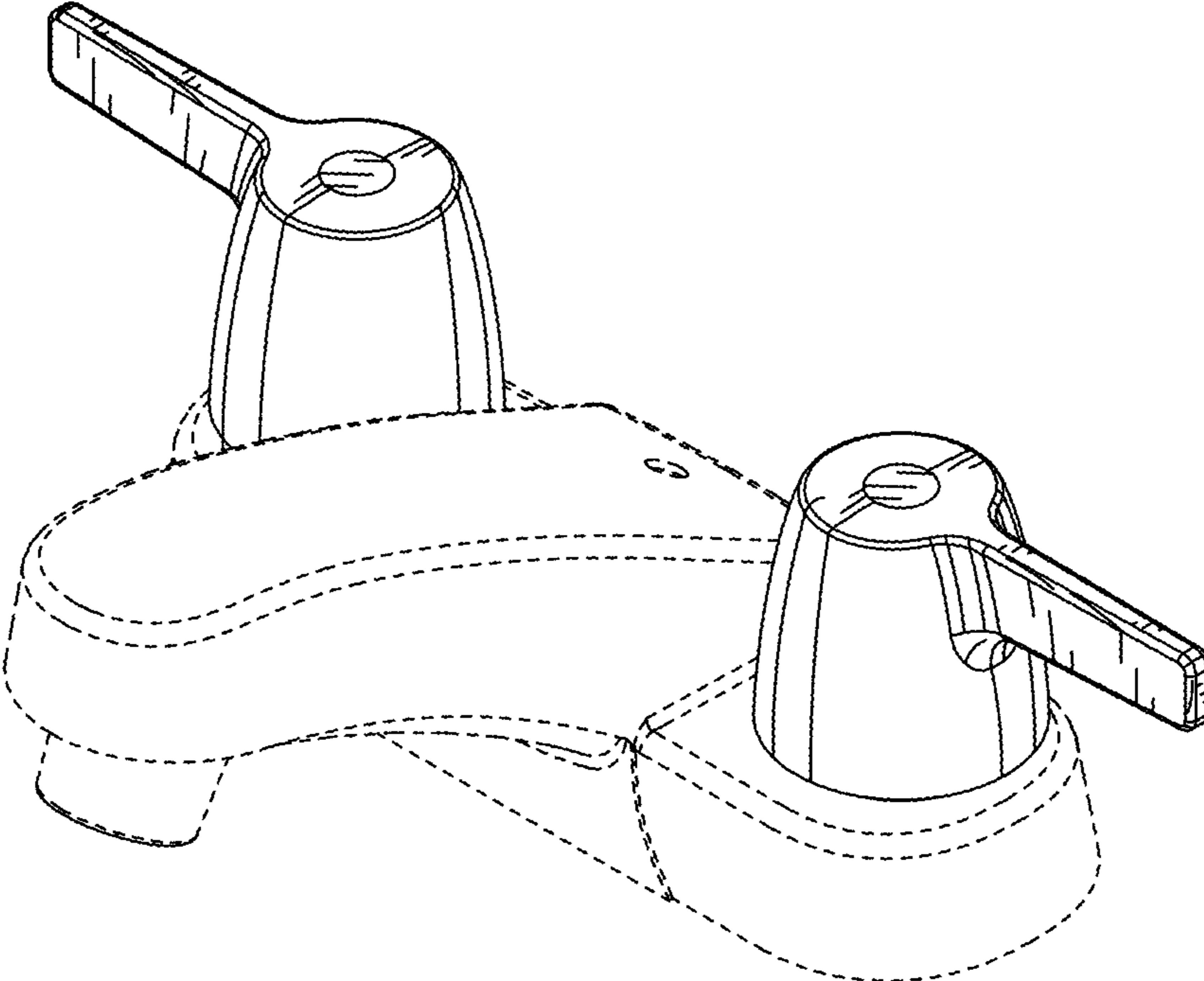
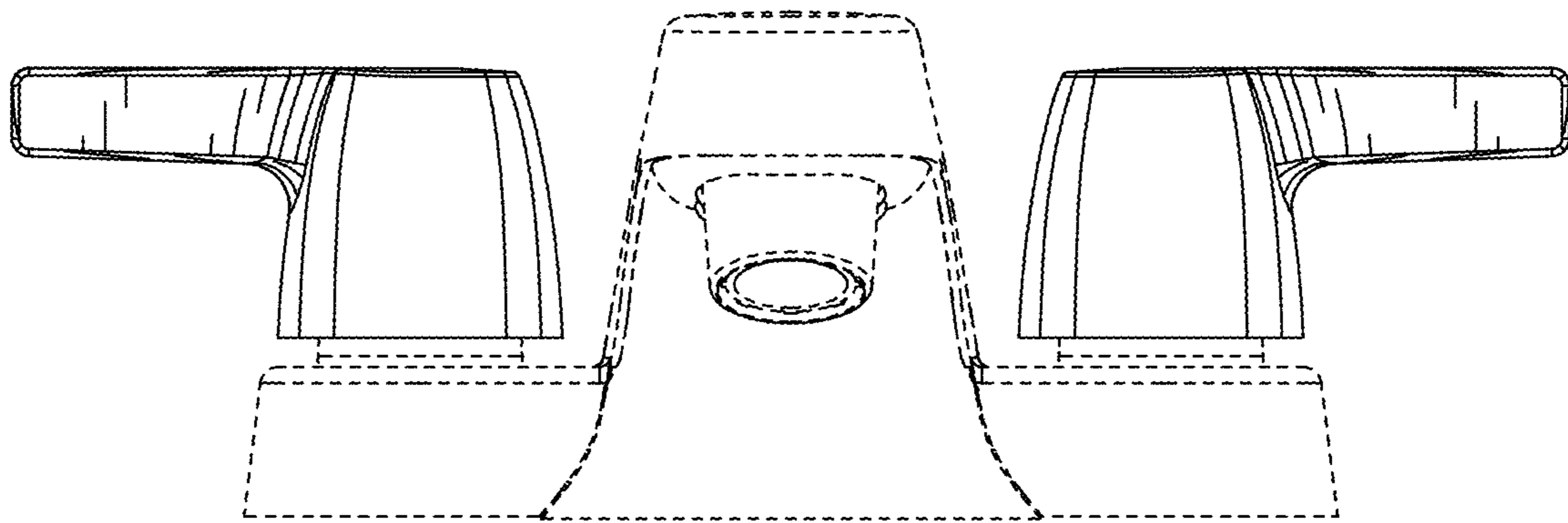
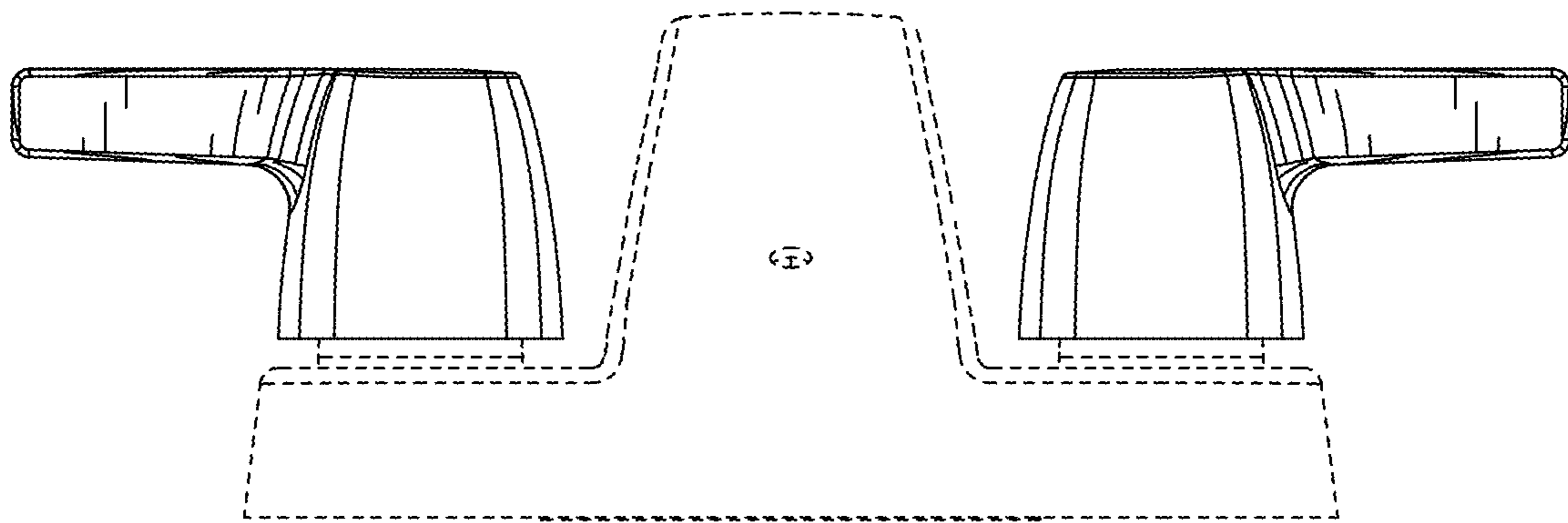


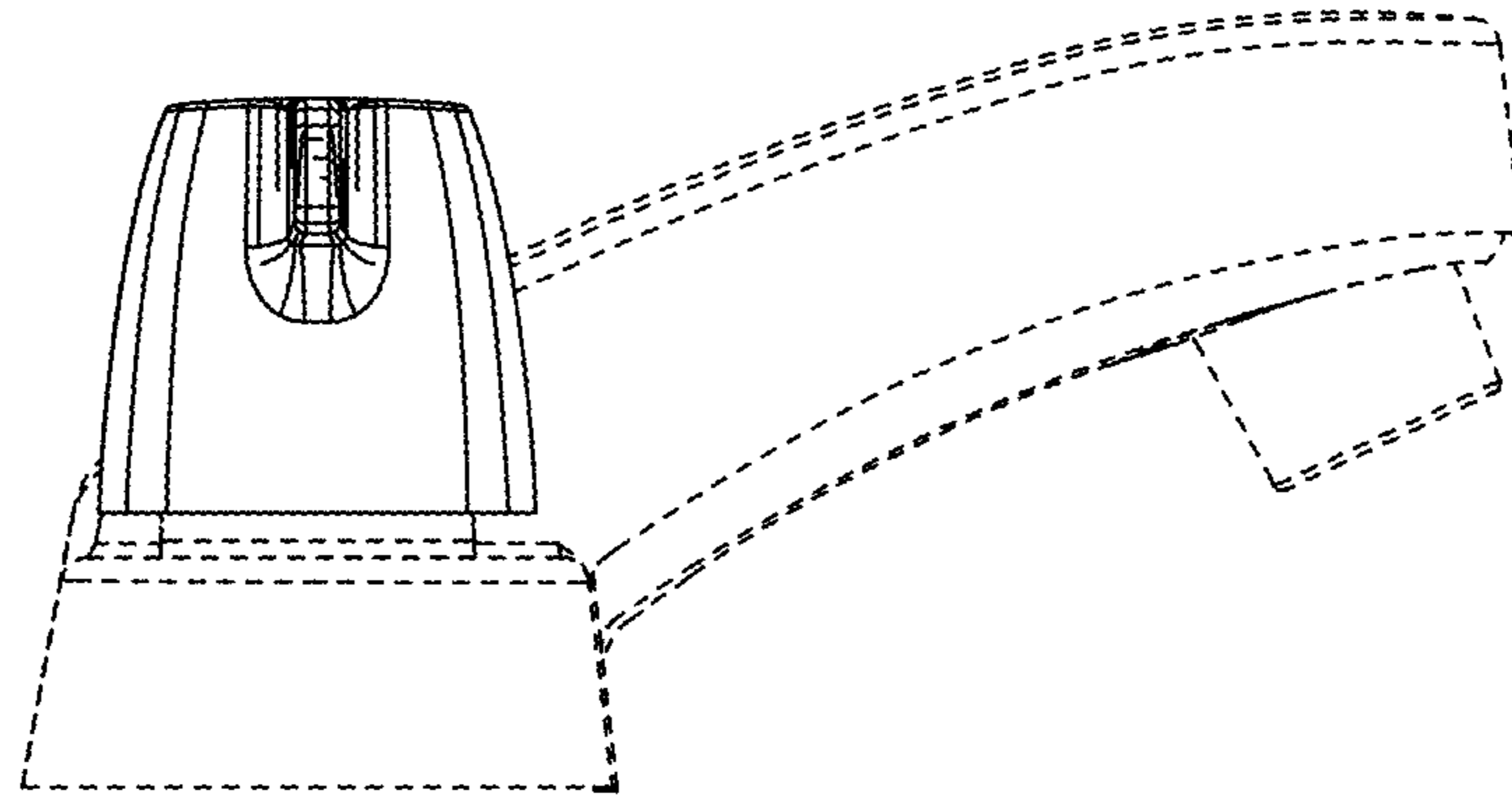
FIG. 1



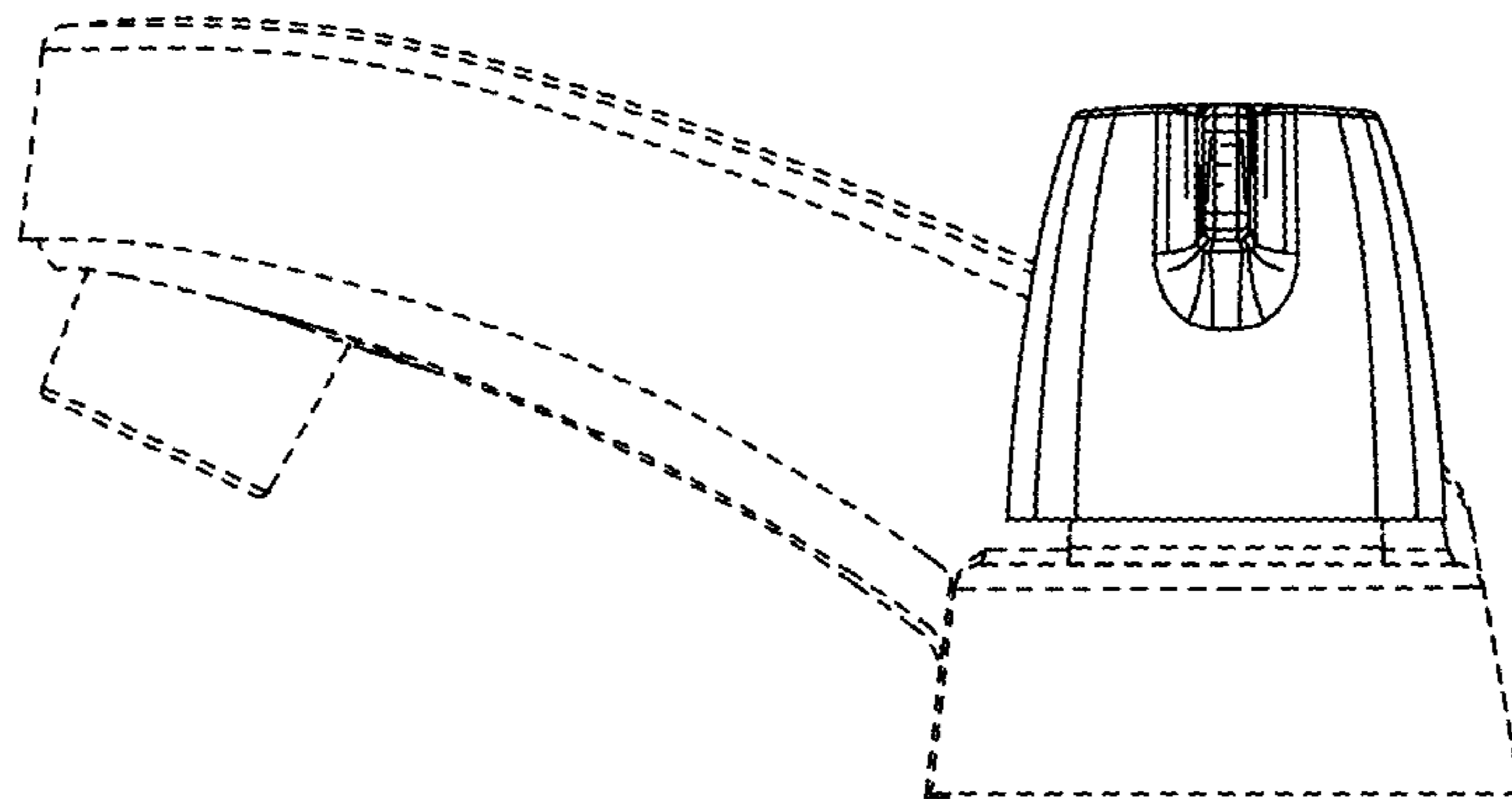
F I G . 2



F I G . 3



F I G . 4



F I G . 5

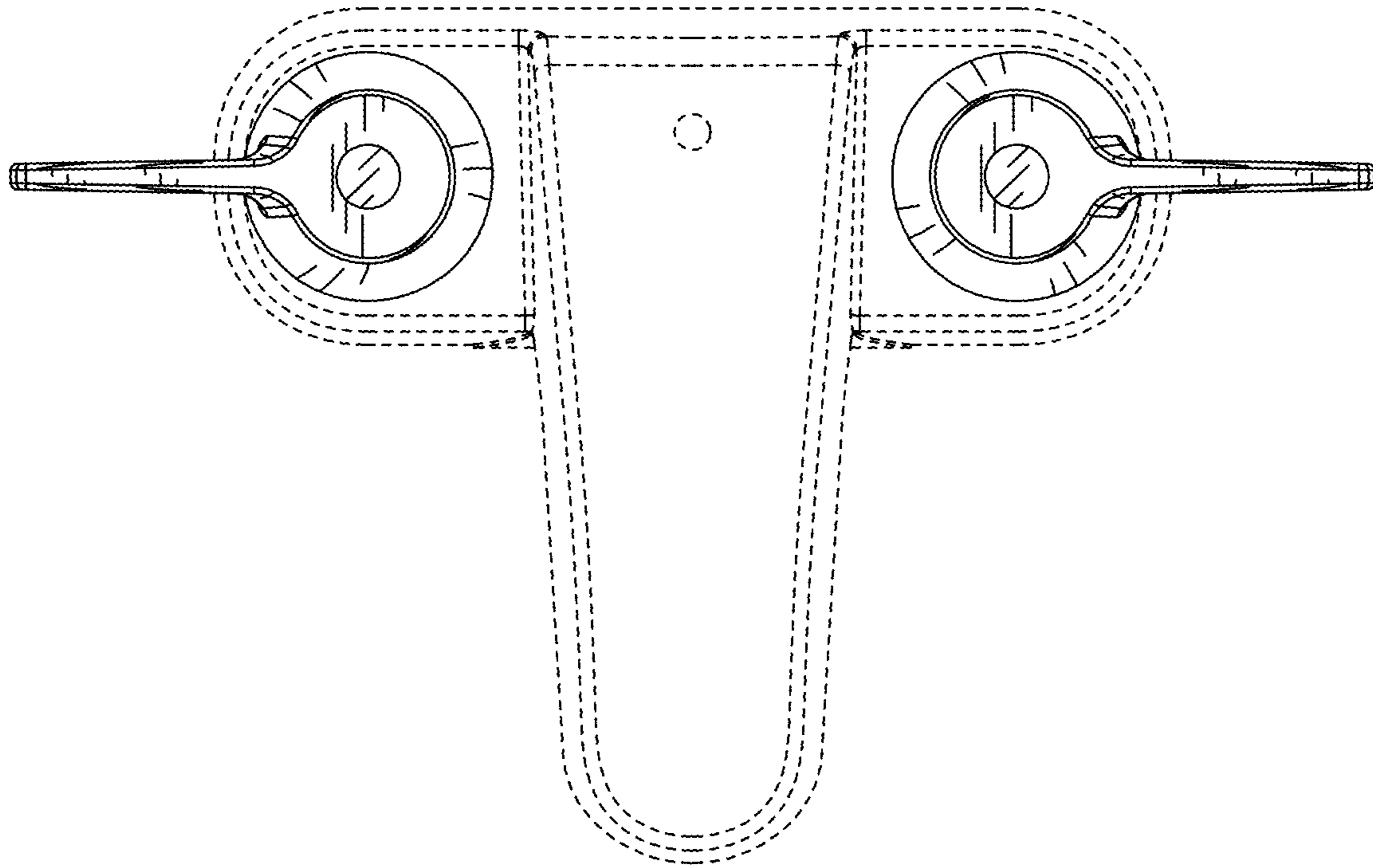


FIG. 6

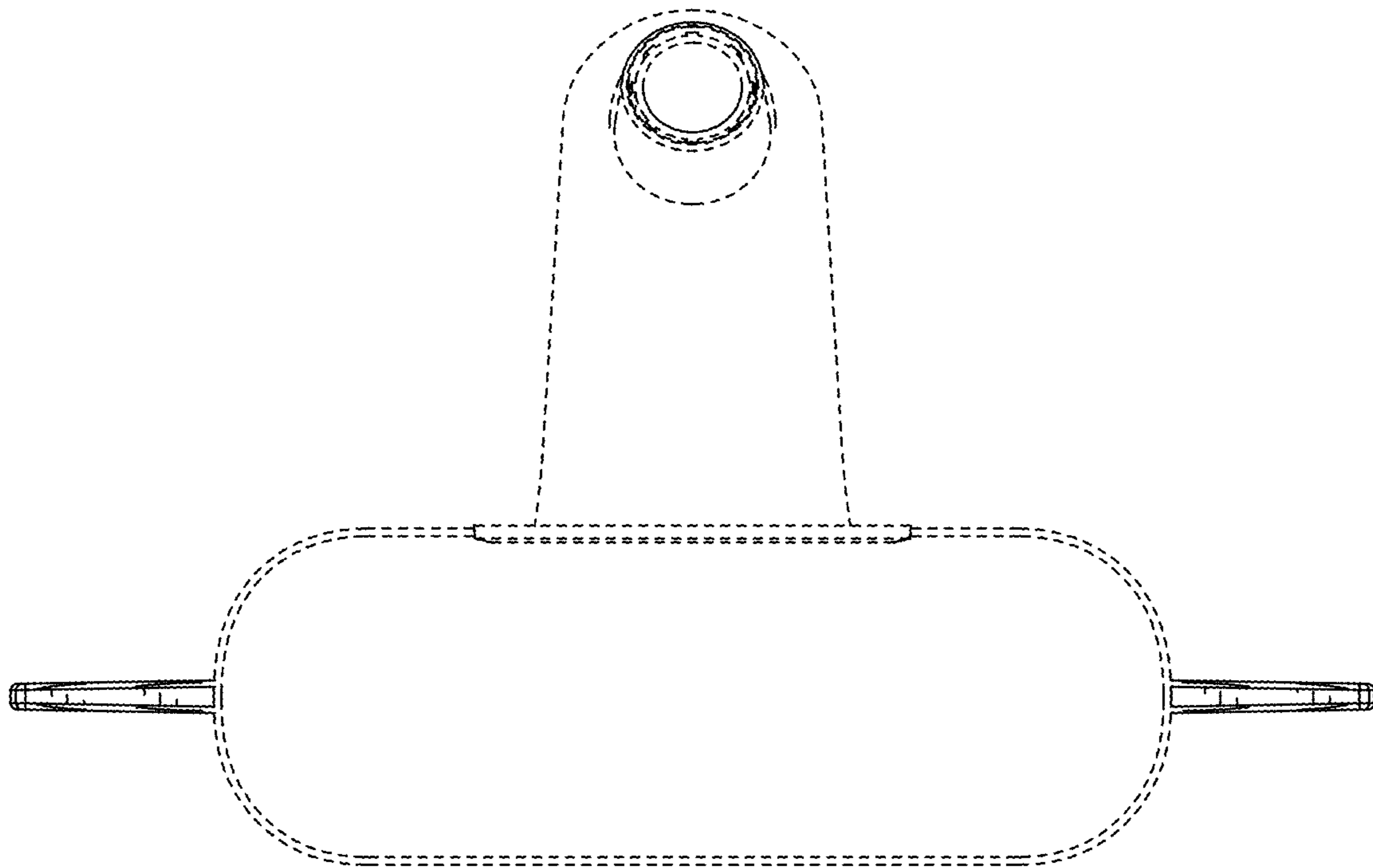


FIG. 7