



US00D886242S

(12) **United States Design Patent**
Eads

(10) **Patent No.:** **US D886,242 S**

(45) **Date of Patent:** **** Jun. 2, 2020**

- (54) **FAUCET HANDLE**
- (71) Applicant: **DELTA FAUCET COMPANY**,
Indianapolis, IN (US)
- (72) Inventor: **Thad Eads**, Urbana, IN (US)
- (73) Assignee: **DELTA FAUCET COMPANY**,
Indianapolis, IN (US)

D513,310 S	*	12/2005	Kulig	D23/241
D522,634 S	*	6/2006	Hoernig	D23/252
D532,086 S	*	11/2006	Haug	D23/252
D648,832 S	*	11/2011	Downey	D23/252
D685,882 S	*	7/2013	Garland	D23/252
D708,709 S	*	7/2014	Yu	D23/238
D740,397 S	*	10/2015	Bahler	D23/252
D741,453 S	*	10/2015	Bahler	D23/238
D786,578 S	*	5/2017	Eads	D6/527
D811,545 S	*	2/2018	Garland	D23/252

* cited by examiner

(**) Term: **15 Years**

Primary Examiner — Sheryl Lane

Assistant Examiner — Samantha N Wood

(21) Appl. No.: **29/642,209**

(74) *Attorney, Agent, or Firm* — Nirav D. Parikh; Edgar A. Zarins

(22) Filed: **Mar. 28, 2018**

(51) **LOC (12) Cl.** **23-01**

(52) **U.S. Cl.**
USPC **D23/252**

(57) **CLAIM**

The ornamental design for a faucet handle, as shown and described.

(58) **Field of Classification Search**
 USPC D23/238, 239, 240, 241, 242, 243, 249,
 D23/250, 252, 253; D8/350, 352, 307
 CPC Y10T 137/9464; Y10T 137/6014; Y10T
 137/776; Y10T 137/0491; E03C 1/02;
 E03C 1/04; E03C 1/0412
 See application file for complete search history.

DESCRIPTION

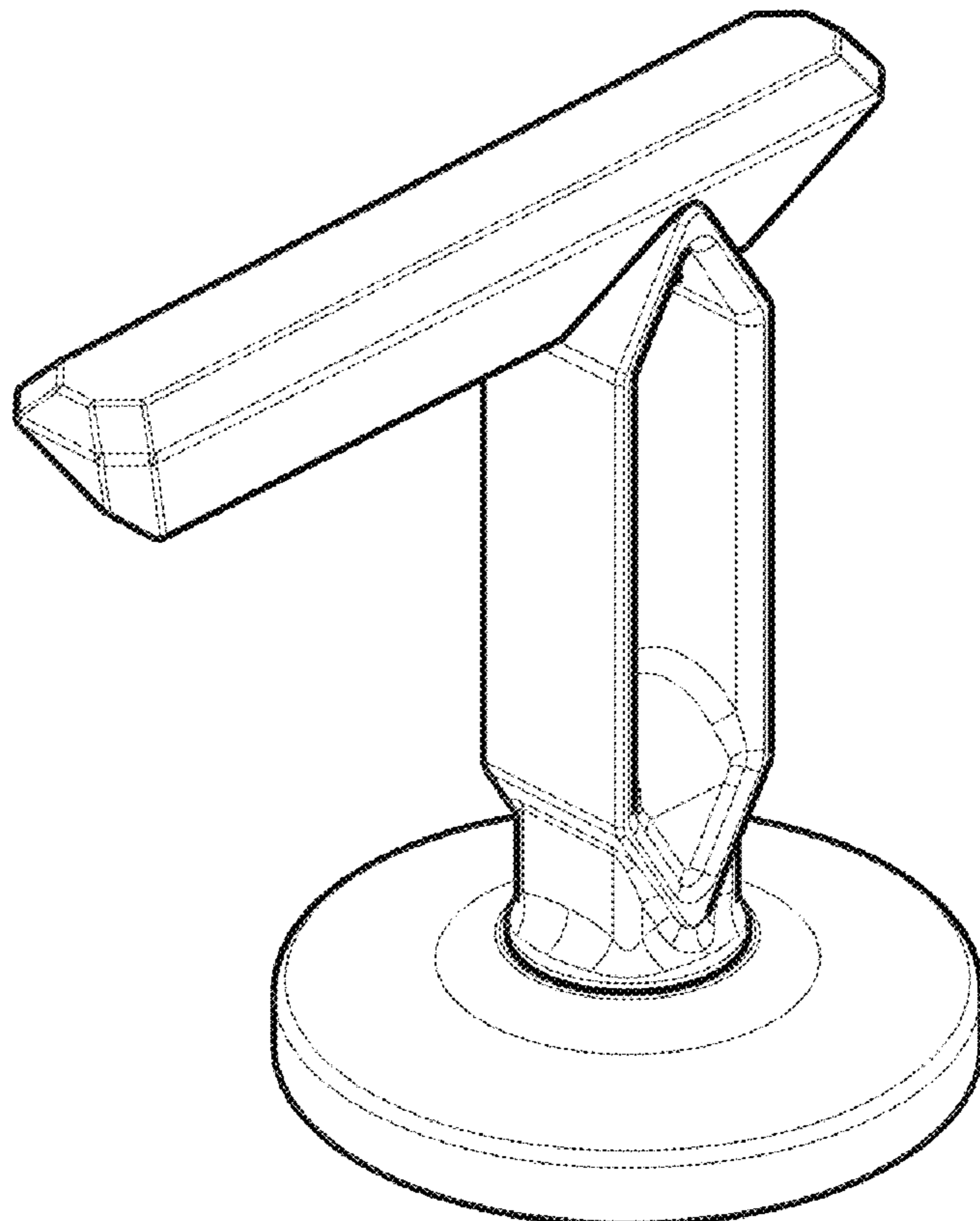
FIG. 1 is a first perspective view of a faucet handle showing my new design;
 FIG. 2 is a second perspective view thereof;
 FIG. 3 is a first side view thereof;
 FIG. 4 is a left side view thereof;
 FIG. 5 is a second side view thereof;
 FIG. 6 is a right side view thereof; and,
 FIG. 7 is a top plan view thereof.

(56) **References Cited**

U.S. PATENT DOCUMENTS

D114,330 S	*	4/1939	Groen	D23/252
D351,457 S	*	10/1994	Paul	D23/252

1 Claim, 4 Drawing Sheets



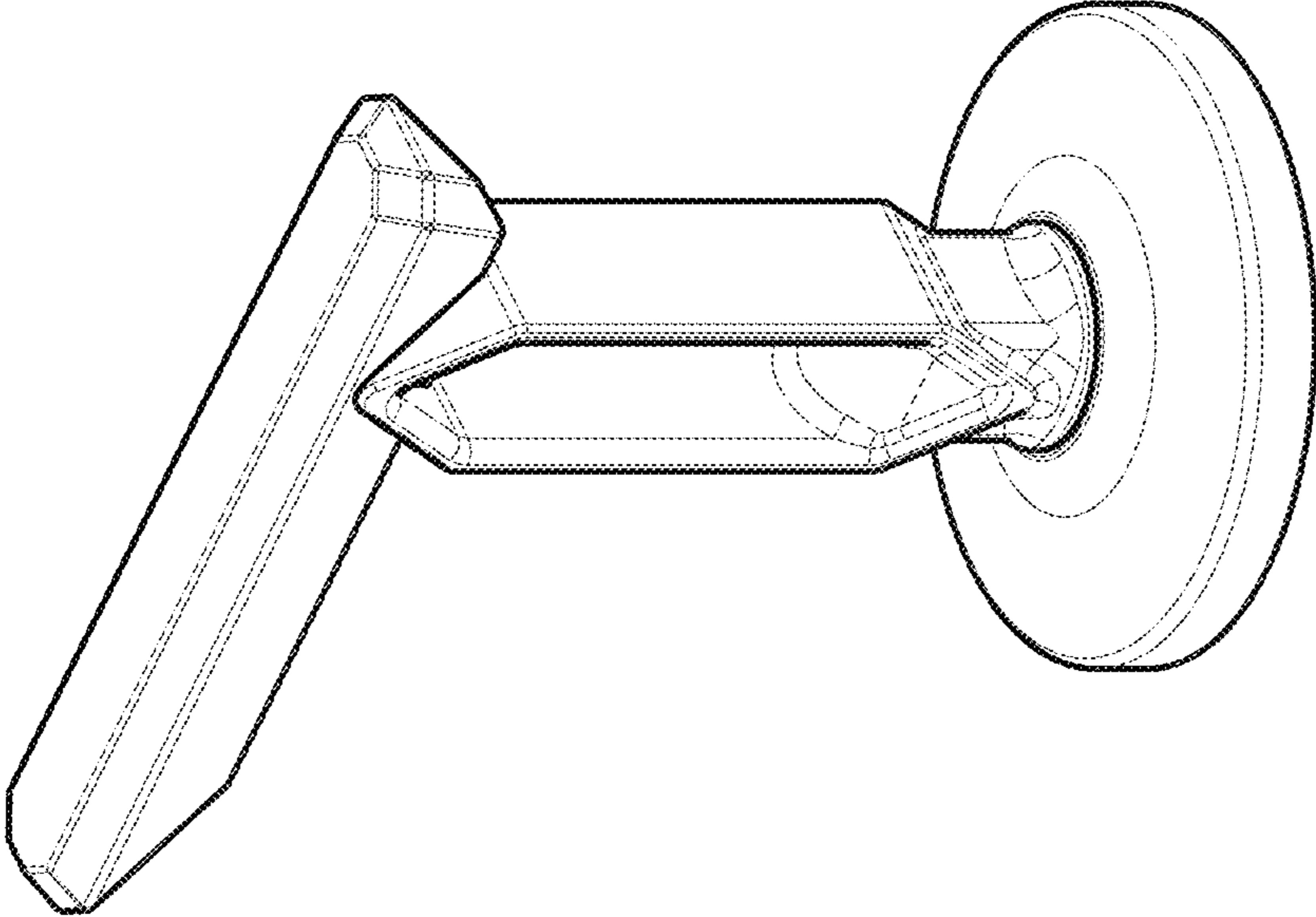


Fig. 2

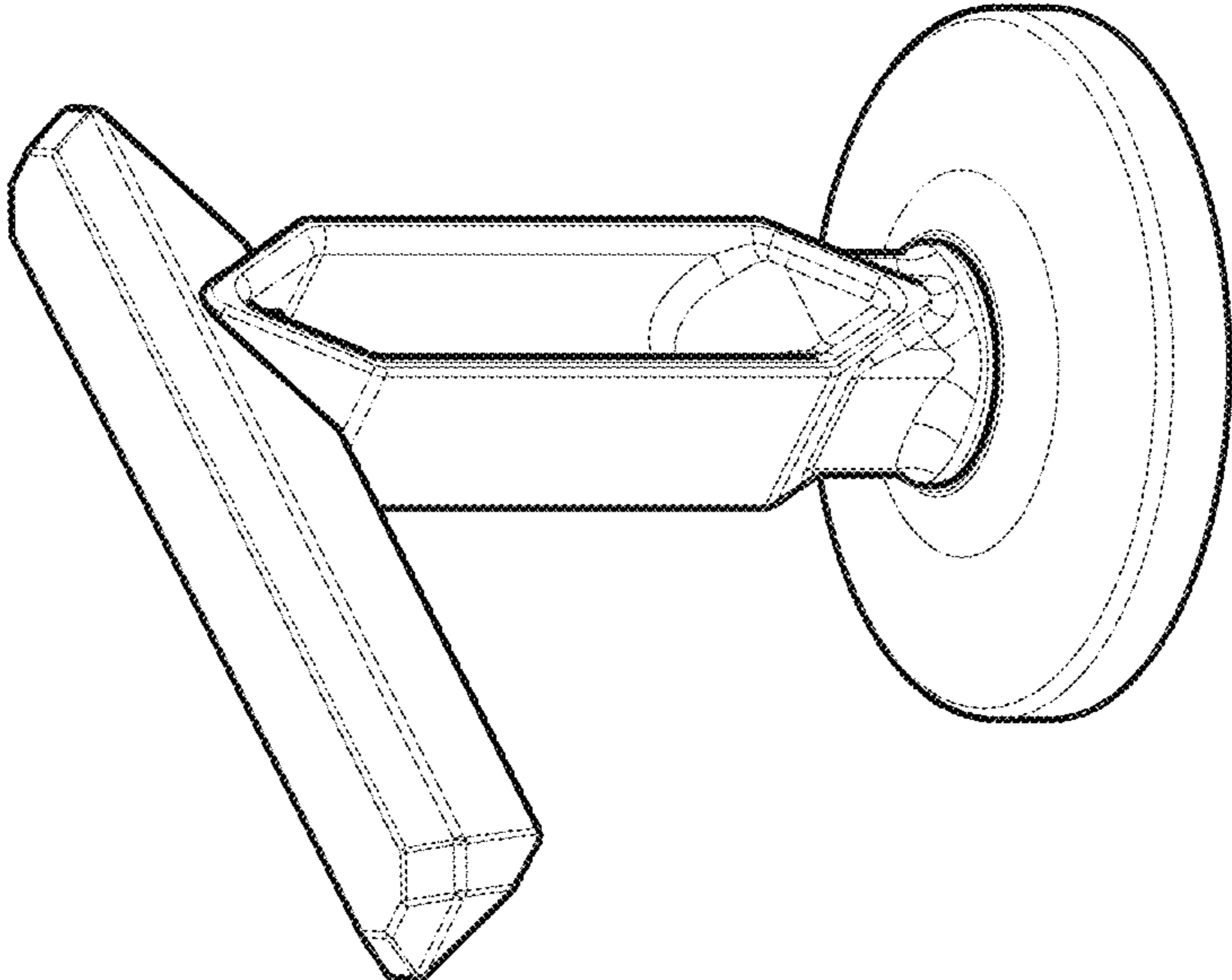


Fig. 1

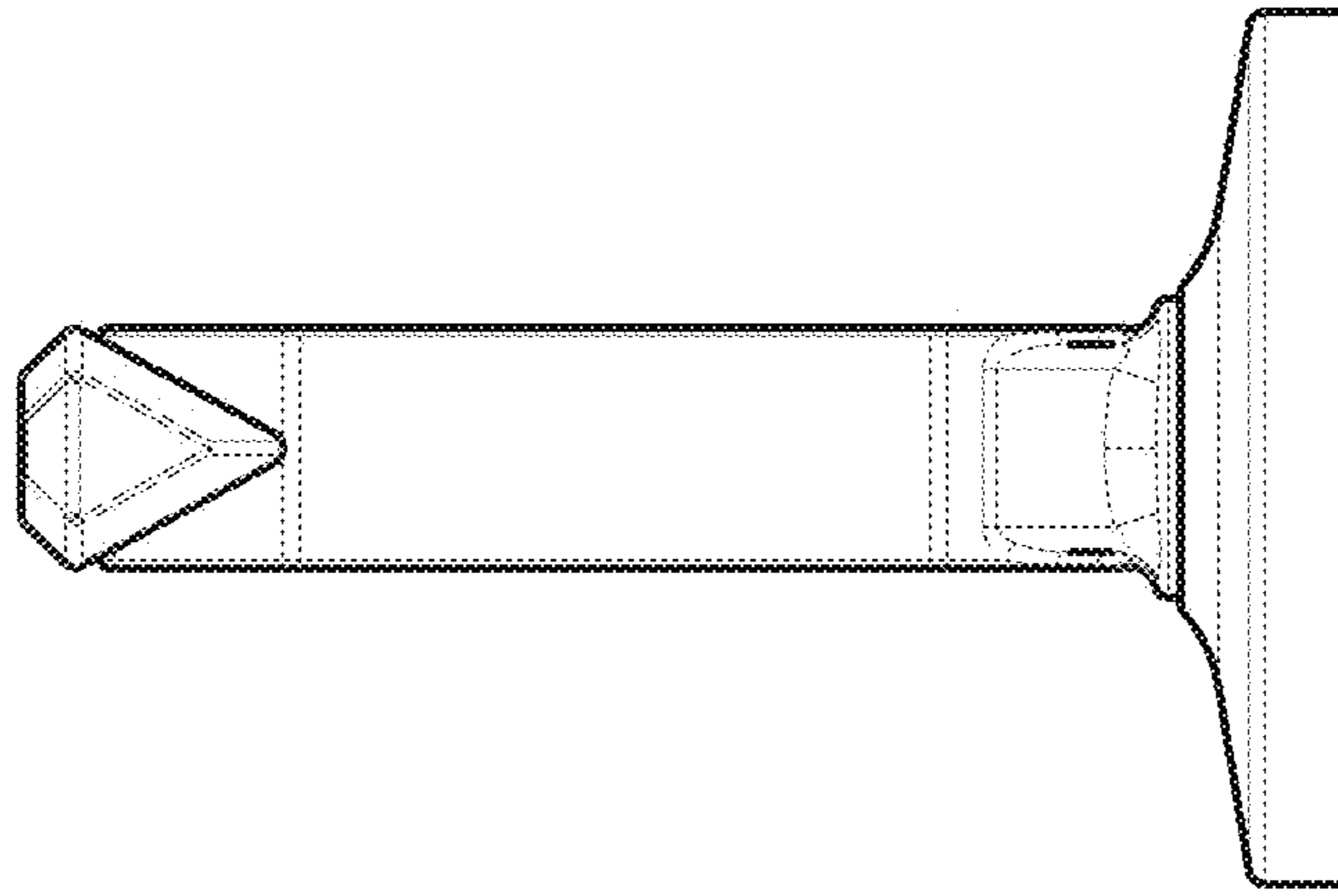


Fig. 4

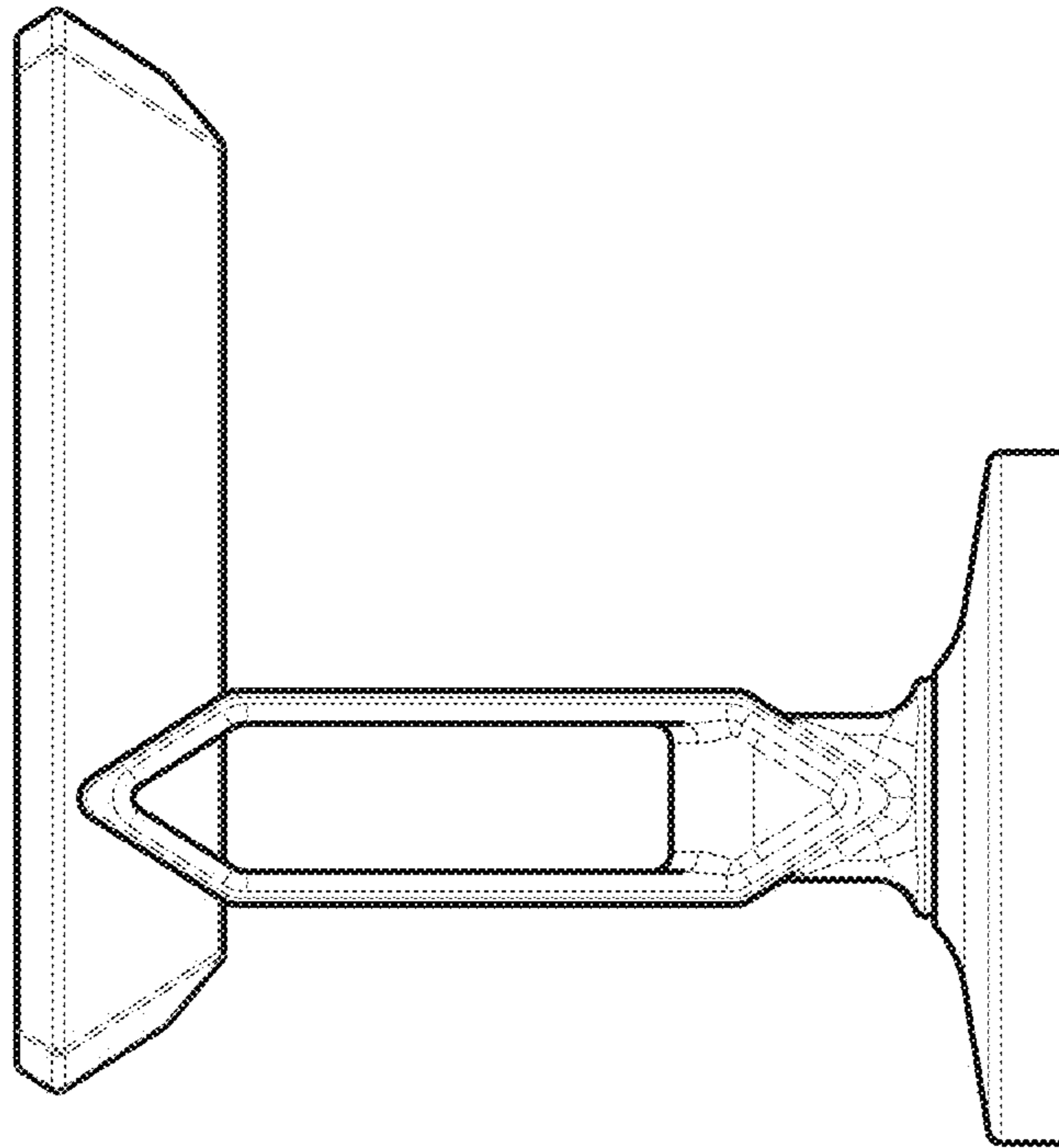


Fig. 3

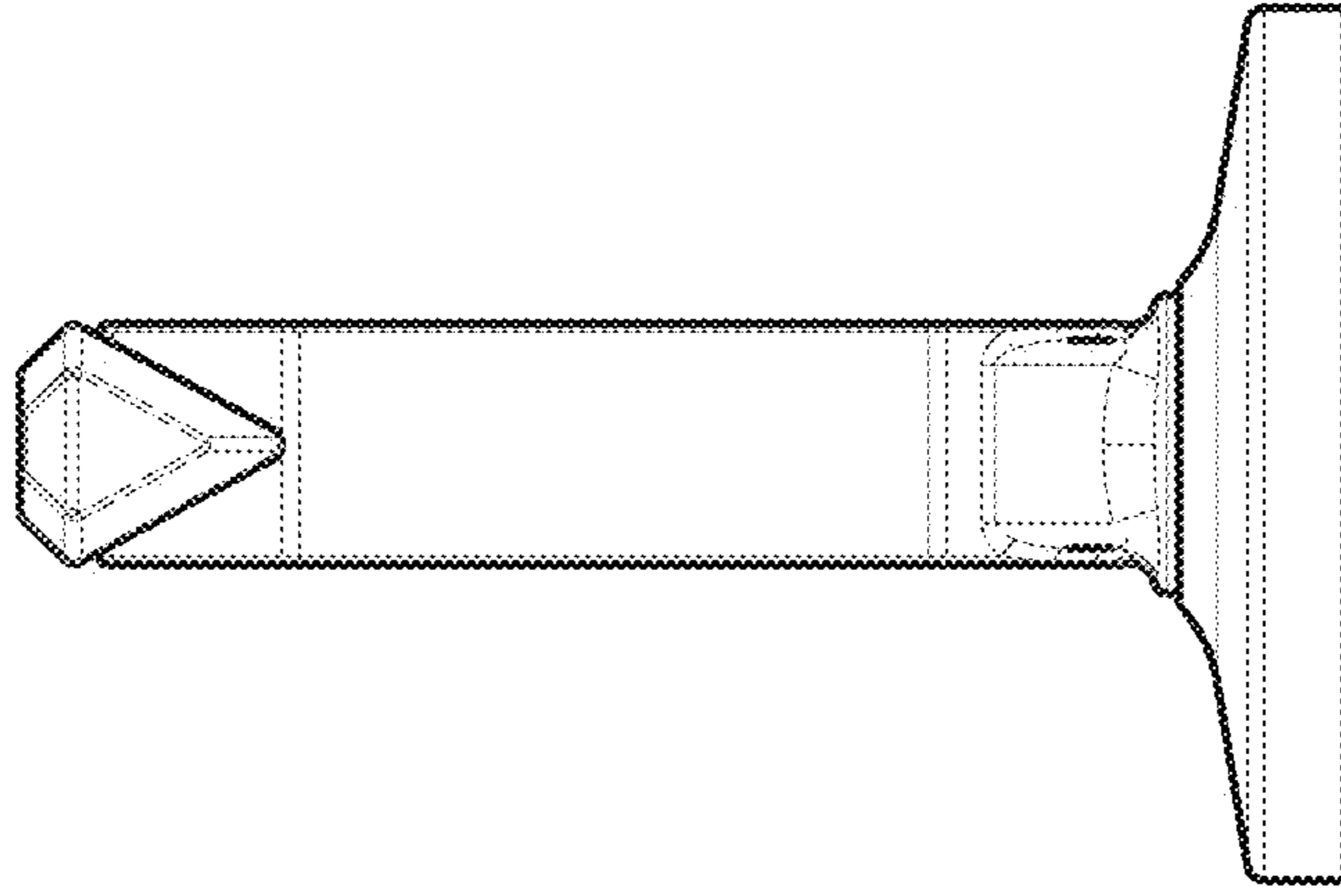


Fig. 6

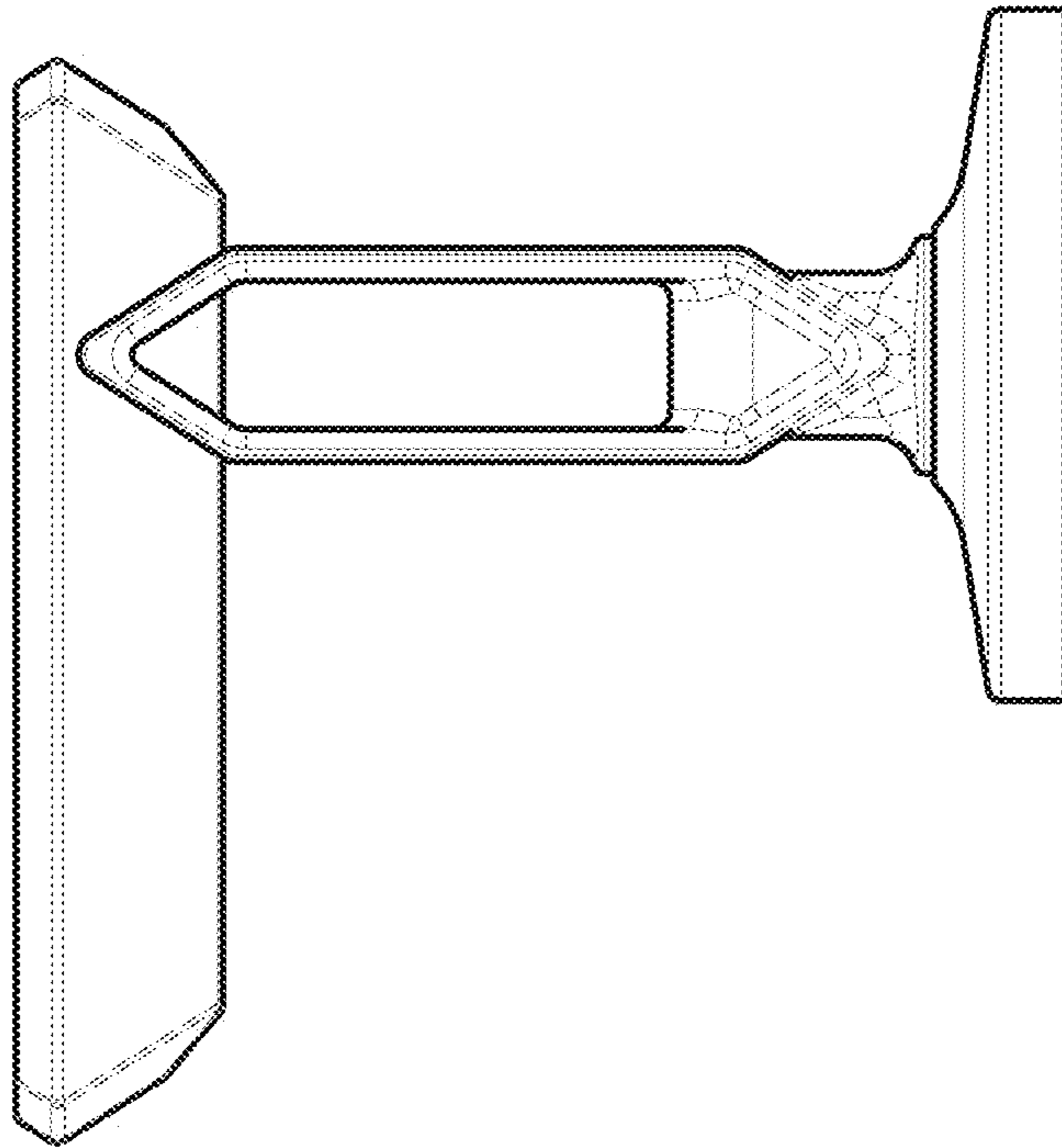


Fig. 5

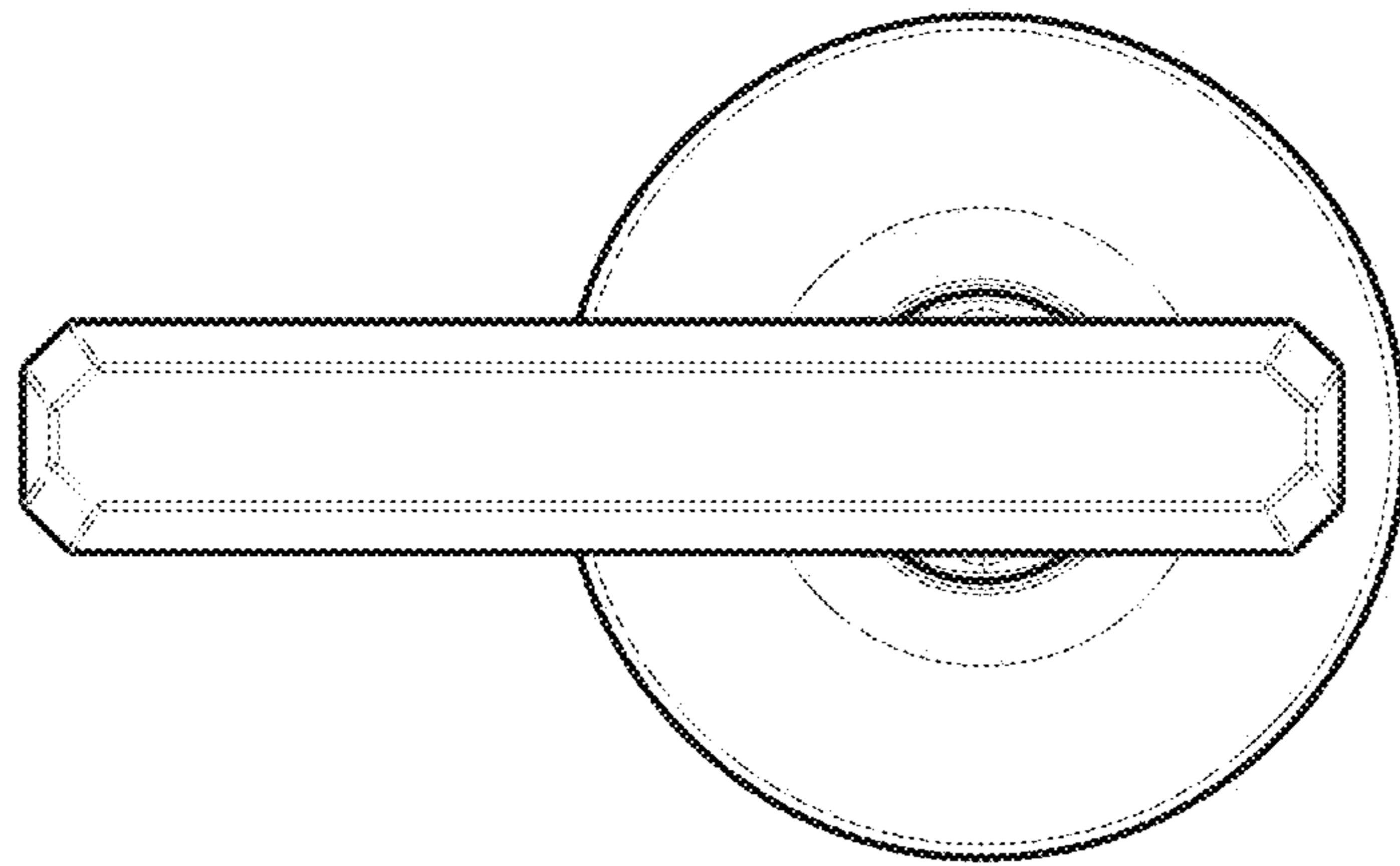


Fig. 7