



US00D886241S

(12) **United States Design Patent** (10) **Patent No.:** **US D886,241 S**
Nasu et al. (45) **Date of Patent:** **** Jun. 2, 2020**

(54) **VALVE HANDLE** 8,651,452 B2 * 2/2014 Hemman F16K 35/025
 251/107
 (71) Applicant: **ASAHI YUKIZAI CORPORATION,** 9,010,721 B2 * 4/2015 Hoots F16K 1/2007
 Nobeoka-shi, Miyazaki (JP) 251/109
 9,010,722 B2 * 4/2015 Hoots F16K 1/2007
 251/109
 (72) Inventors: **Takashi Nasu,** Nobeoka (JP); 9,702,480 B2 * 7/2017 Hoots F16K 1/2007
Nobuyuki Matsukuma, Fukuoka-ken 9,989,154 B2 * 6/2018 Gutmann F16K 1/221
 (JP) 2005/0161624 A1 * 7/2005 Bancroft F16K 31/602
 251/109

(73) Assignee: **ASAHI YUKIZAI CORPORATION,**
 Nobeoka-Shi, Miyazaki (JP)

(**) Term: **15 Years**

(21) Appl. No.: **29/651,447**

(22) Filed: **Aug. 16, 2018**

(30) **Foreign Application Priority Data**

Feb. 16, 2018 (JP) 2018-003224

(51) **LOC (12) Cl.** **23-01**

(52) **U.S. Cl.**
 USPC **D23/249**

(58) **Field of Classification Search**
 USPC D23/233–250, 252; D8/28; 251/118,
 251/109, 288, 285, 305, 306, 173;
 137/625.46, 239, 385
 CPC F16K 31/602; F16K 31/60; F16K 35/10;
 F16K 31/605; F16K 27/0218
 See application file for complete search history.

(56) **References Cited**

U.S. PATENT DOCUMENTS

3,958,595 A * 5/1976 Al F16K 1/22
 137/375
 D412,966 S * 8/1999 Albea D23/249
 6,959,909 B2 * 11/2005 Bancroft F16K 31/602
 137/385
 D678,472 S * 3/2013 Sisk D23/233

FOREIGN PATENT DOCUMENTS

JP H11-230372 A 8/1999
 JP H11-270702 A 10/1999
 JP 2000-337547 A 12/2000

* cited by examiner

Primary Examiner — Gino Colan

(74) *Attorney, Agent, or Firm* — Buchanan Ingersoll & Rooney PC

(57) **CLAIM**

The ornamental design for a valve handle, as shown and described.

DESCRIPTION

FIG. 1 is a top perspective view of a valve handle showing our new design;
 FIG. 2 is a front view thereof;
 FIG. 3 is a rear view thereof;
 FIG. 4 is a left side view thereof;
 FIG. 5 is a right side view thereof;
 FIG. 6 is a top plan view thereof;
 FIG. 7 is a bottom plan view thereof; and,
 FIG. 8 is a bottom perspective view thereof.
 The broken lines shown in the figures are included for the purpose of illustrating portions of the valve handle which form no part of the claimed design.

1 Claim, 4 Drawing Sheets

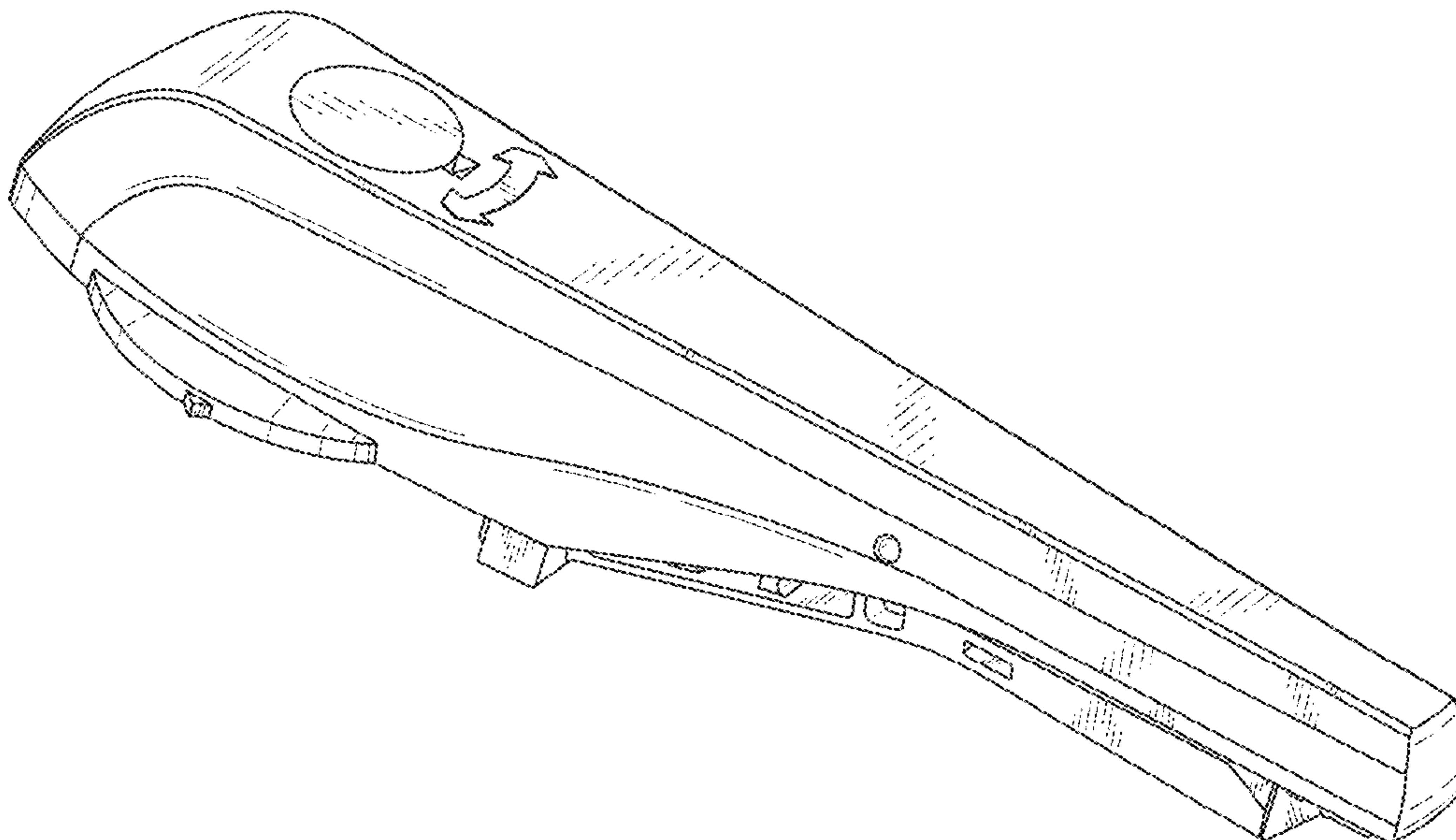


FIG. 1

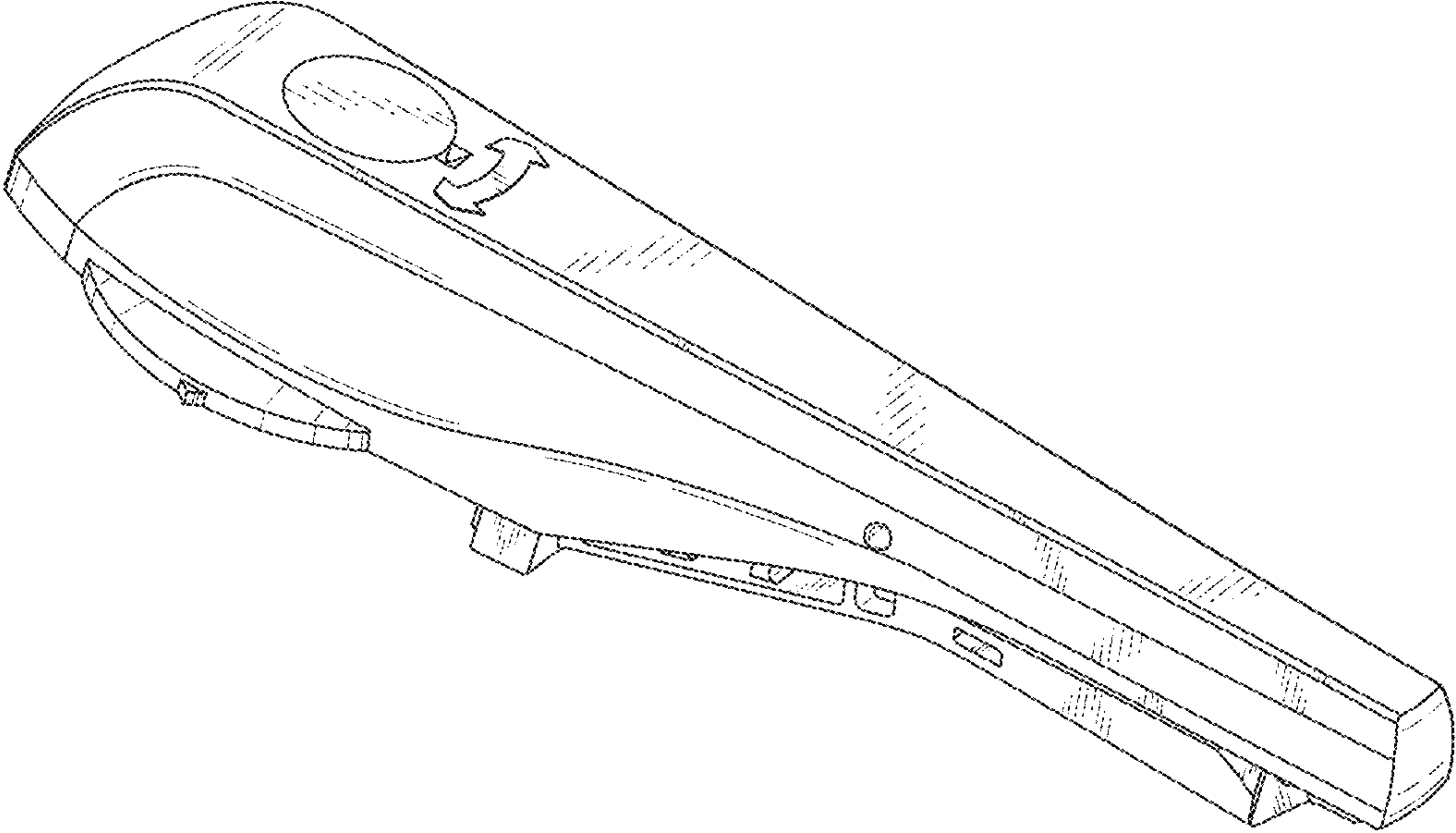


FIG. 2

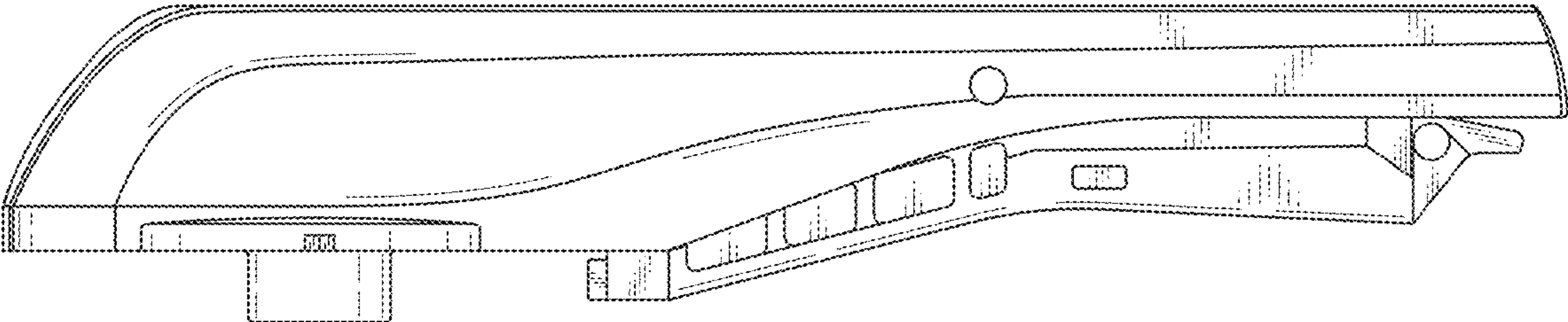


FIG. 3

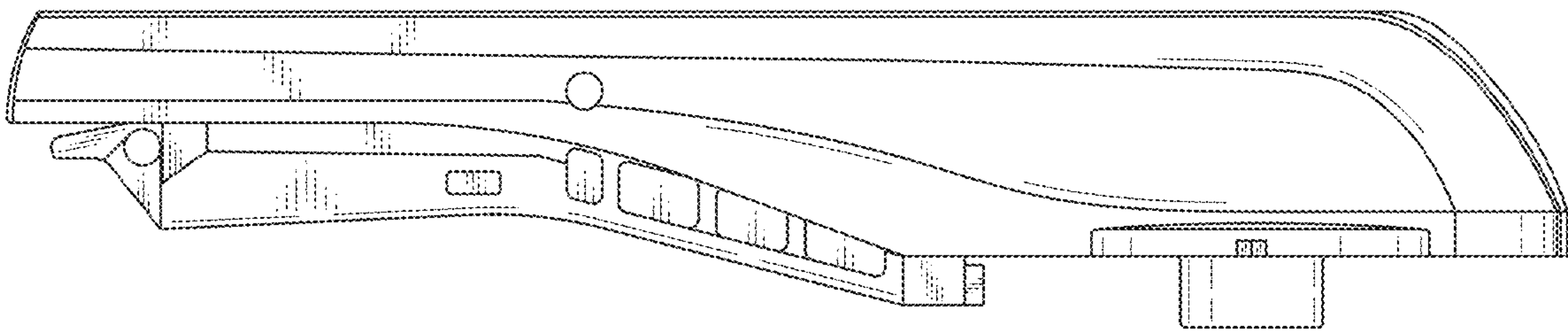


FIG. 4

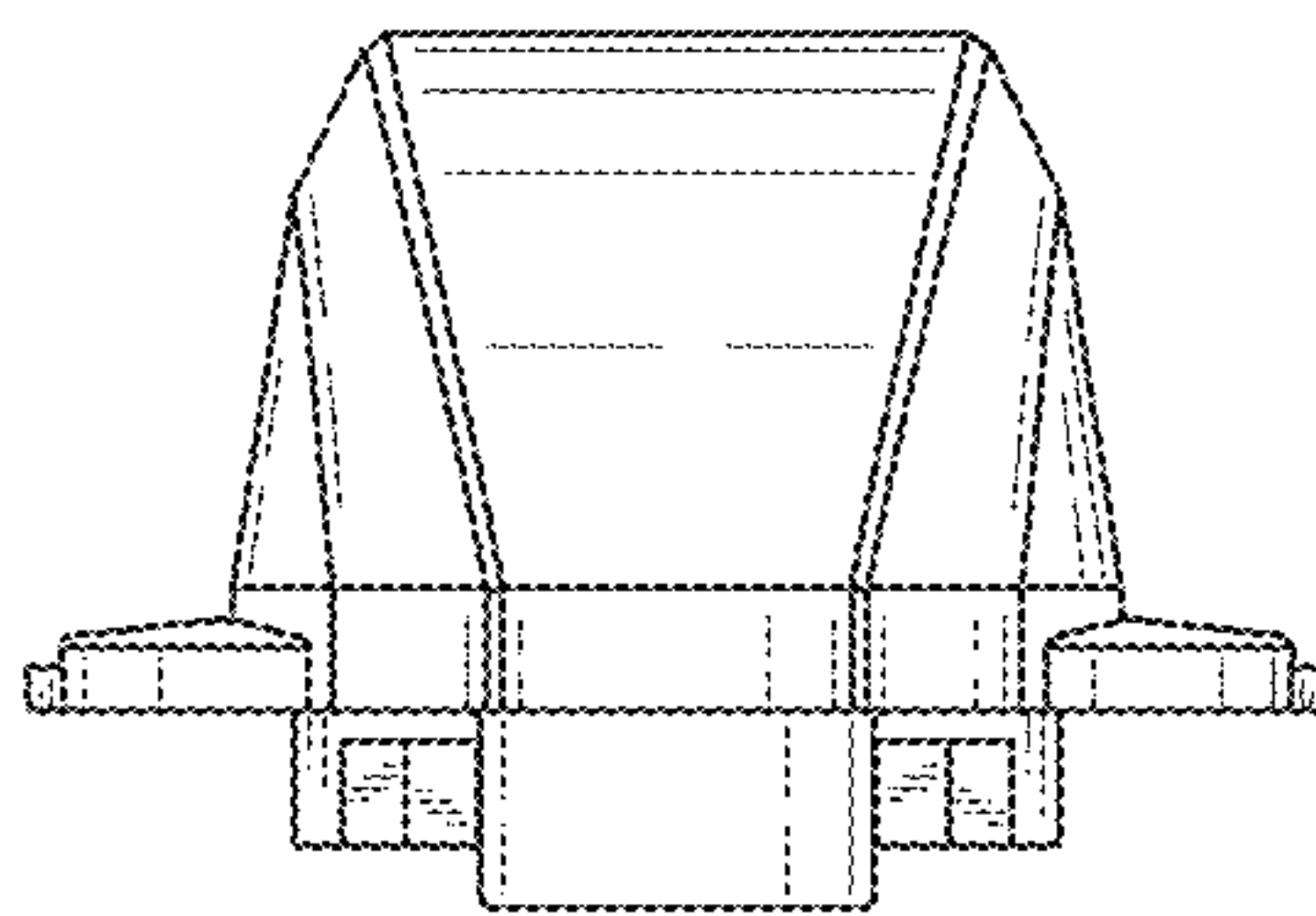


FIG. 5

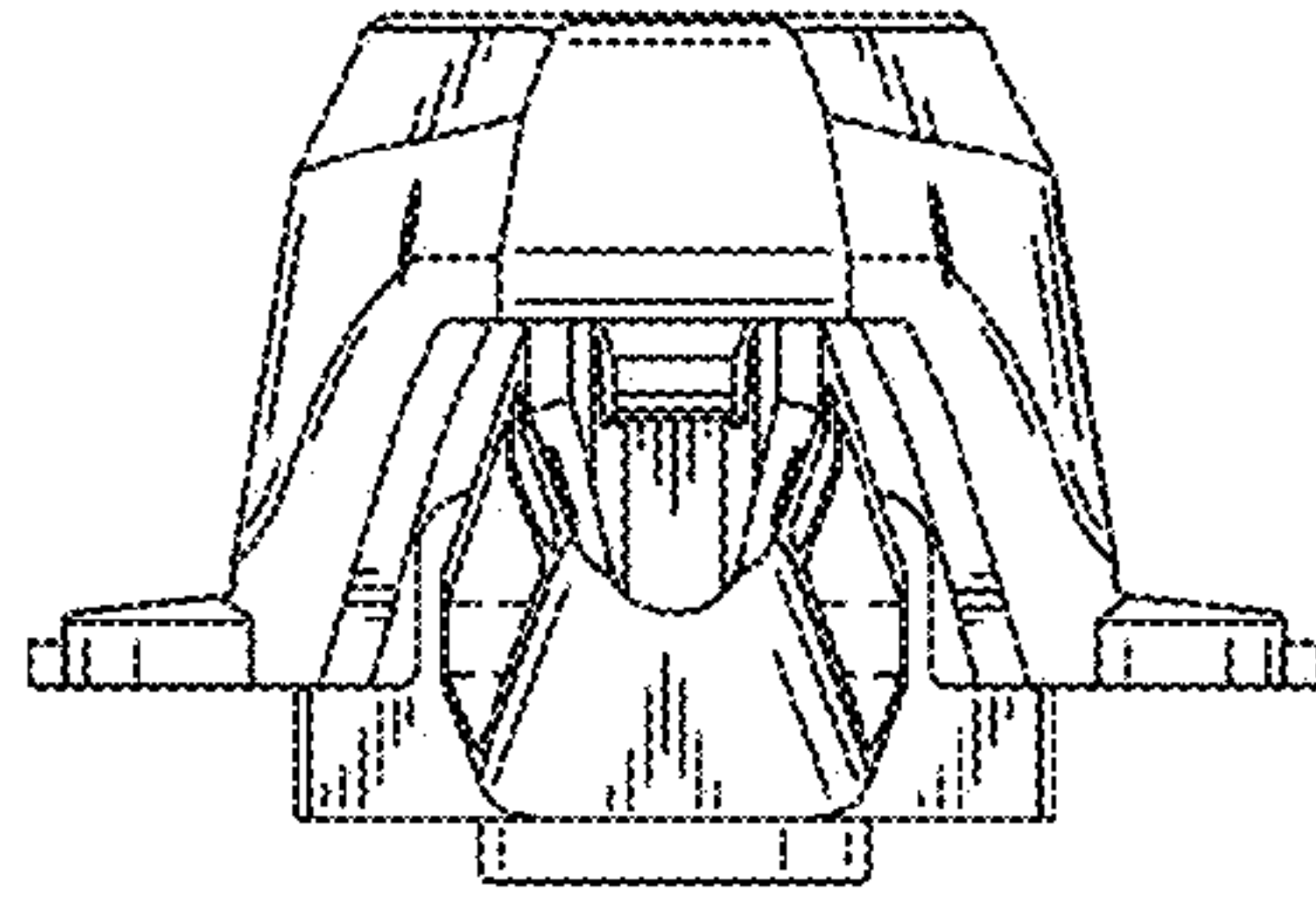


FIG. 6

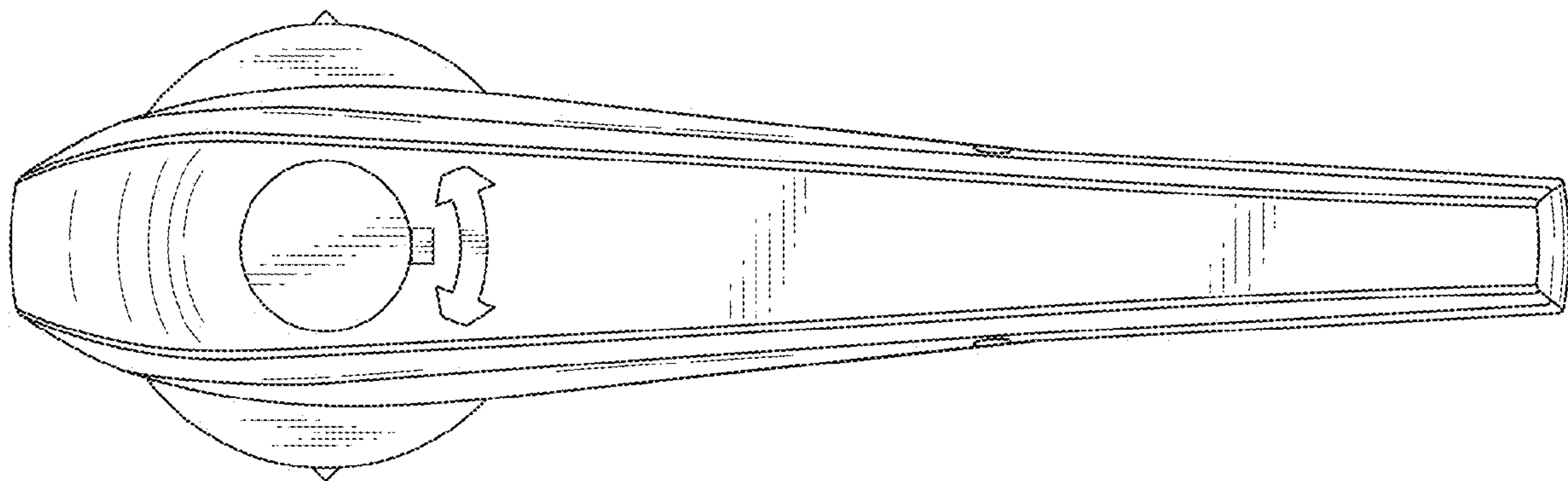


FIG. 7

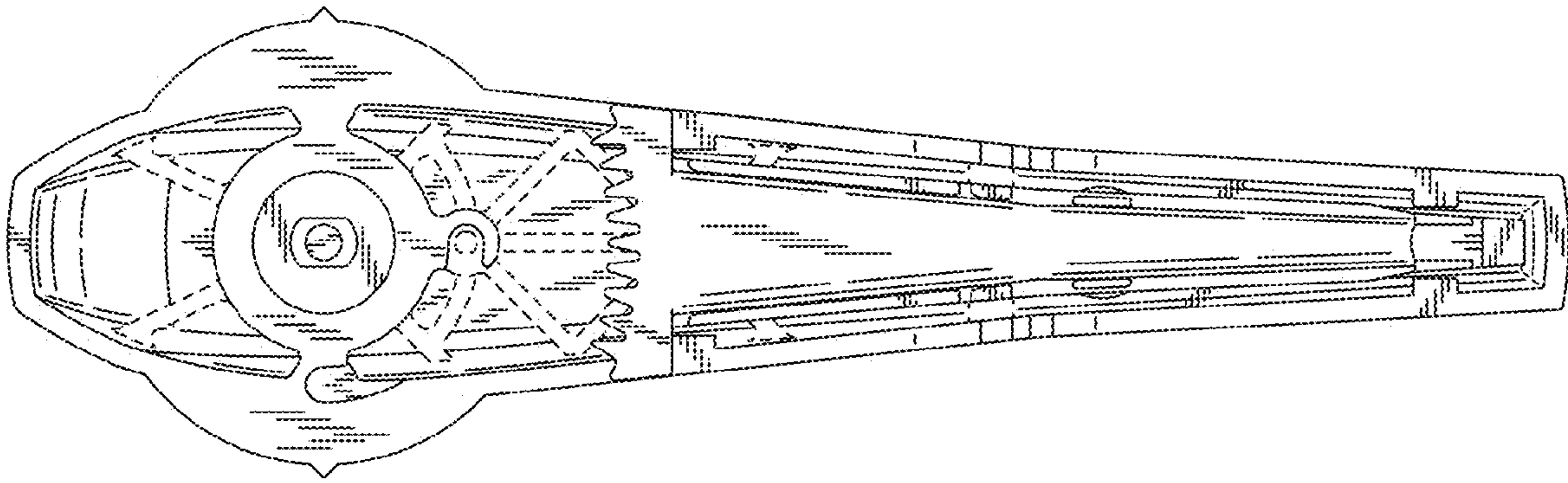


FIG. 8

