



US00D886240S

(12) **United States Design Patent** (10) **Patent No.:** **US D886,240 S**
Wesson et al. (45) **Date of Patent:** **** Jun. 2, 2020**

(54) **FAUCET AND SOAP DISPENSER SET**

FOREIGN PATENT DOCUMENTS

(71) Applicant: **Bradley Fixtures Corporation**,
Menomonee Falls, WI (US)

CA 2557704 2/2008
WO WO-2006/058650 6/2006

(72) Inventors: **Darnell Wesson**, Menomonee Falls, WI (US); **Will Haas**, Menomonee Falls, WI (US); **Mark Meyer**, Menomonee Falls, WI (US); **Laura Stang**, Menomonee Falls, WI (US); **James A. Wollmer**, Menomonee Falls, WI (US); **Douglas Carpiaux**, Milwaukee, WI (US); **Emily Schoenfelder**, Milwaukee, WI (US)

OTHER PUBLICATIONS

ESD-2101 CP Soap Dispenser W/ Below Deck Pump, Soap & Faucet; Website Copyright 1991-2019; Air Delights website; Visited Online Sep. 22, 2019; <https://www.airdelights.com/3346099--ESD-2101-CP-Soap-Dispenser-w-below-deck-pump-soap-and-faucet.html> (Year: 2019).*

(Continued)

(73) Assignee: **Bradley Fixtures Corporation**,
Menomonee Falls, WI (US)

Primary Examiner — Eric L Goodman
Assistant Examiner — Amy C Wierenga

(**) Term: **15 Years**

(74) *Attorney, Agent, or Firm* — Foley & Lardner LLP

(21) Appl. No.: **29/645,495**

(57) **CLAIM**

We claim the ornamental design for a faucet and soap dispenser set, as shown and described.

(22) Filed: **Apr. 26, 2018**

(51) **LOC (12) Cl.** **23-01**

(52) **U.S. Cl.**
USPC **D23/239**; D6/542; D23/238

(58) **Field of Classification Search**
USPC D23/238, 239–243, 255, 257; D6/530, D6/542–545
CPC Y10T 137/9464
See application file for complete search history.

DESCRIPTION

This application is related to U.S. Des. Pat. App. Ser. No. 29/645,489, filed on Apr. 26, 2018, entitled “Dispenser,” which is incorporated herein by reference in its entirety. FIG. 1 is a front, right, perspective view of the faucet and soap dispenser set; FIG. 2 is a front side view of the claimed design of FIG. 1; FIG. 3 is a rear side view of the claimed design of FIG. 1; FIG. 4 is a right side view of the claimed design of FIG. 1; FIG. 5 is a left side view of the claimed design of FIG. 1; and, FIG. 6 is a top view of the claimed design of FIG. 1. The ornamental design which is claimed is shown in solid lines in the drawings. The evenly dashed broken lines illustrate portions of the dispenser that form no part of the claim.

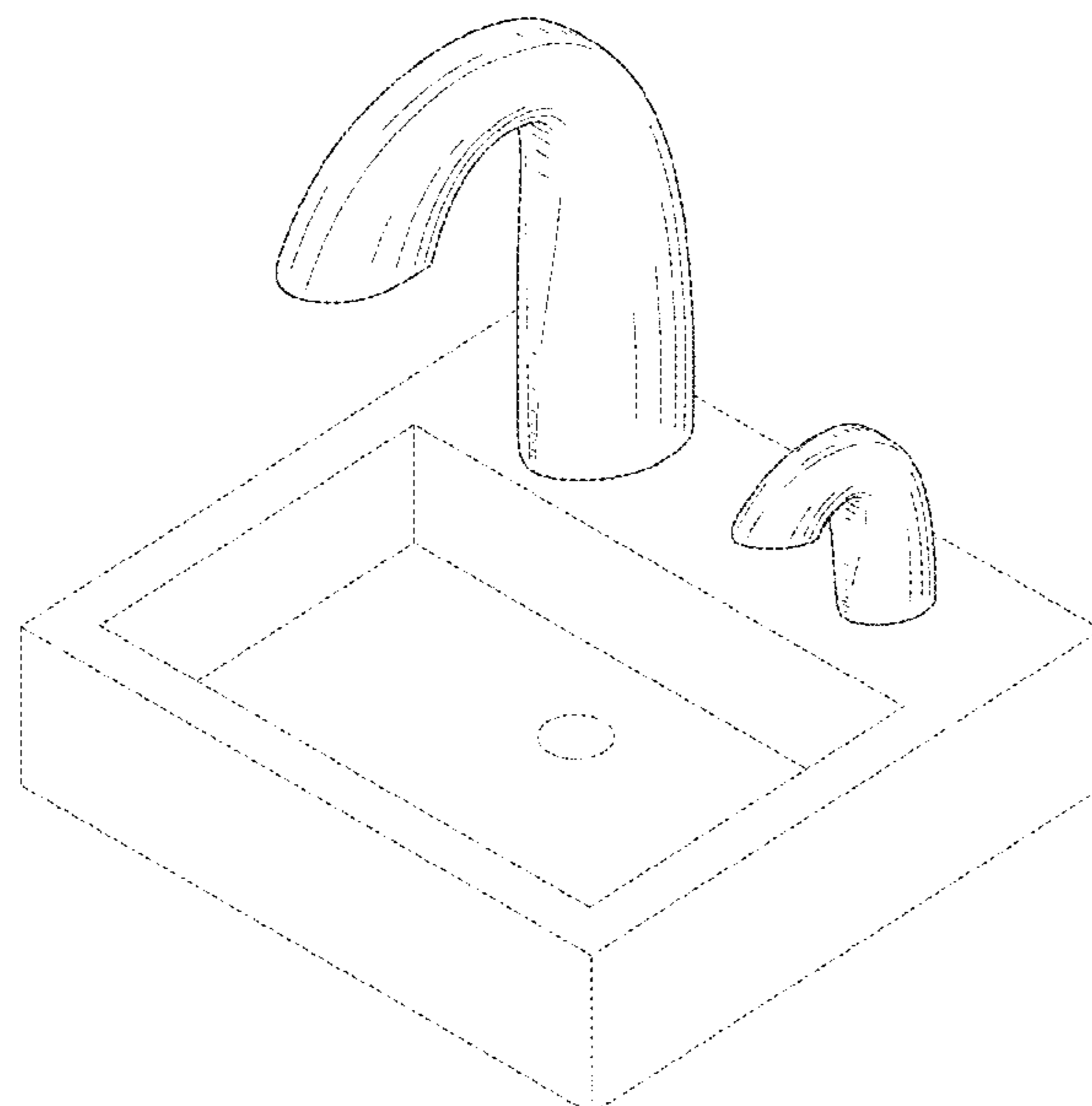
(56) **References Cited**

U.S. PATENT DOCUMENTS

5,189,393 A 2/1993 Hu
5,224,685 A 7/1993 Chiang et al.
D341,741 S * 11/1993 Allen D6/542
5,276,427 A 1/1994 Peterson
5,695,091 A 12/1997 Winings et al.
5,988,440 A 11/1999 Saunders et al.

(Continued)

1 Claim, 6 Drawing Sheets



(56)

References Cited

U.S. PATENT DOCUMENTS

5,988,451 A 11/1999 Hanna
 D423,651 S * 4/2000 Fabian D23/255
 6,129,245 A 10/2000 Redman et al.
 6,279,777 B1 8/2001 Goodin et al.
 6,328,059 B1 12/2001 Testori et al.
 6,345,738 B1 2/2002 Brozell et al.
 D465,270 S * 11/2002 Gottwald D23/255
 D465,560 S * 11/2002 Singtoroj D23/255
 6,502,721 B2 1/2003 Redman et al.
 D488,539 S * 4/2004 McKeone D23/255
 D521,613 S * 5/2006 Hoernig D23/255
 D524,426 S * 7/2006 Sallick D23/255
 D528,640 S * 9/2006 Yoshioka D23/255
 7,228,874 B2 6/2007 Bolderheij et al.
 7,364,053 B2 4/2008 Ophardt
 7,455,197 B2 11/2008 Ophardt
 7,516,939 B2 4/2009 Bailey
 7,527,174 B2 5/2009 Meehan et al.
 D608,419 S * 1/2010 Kohler, Jr. D23/255
 D608,863 S * 1/2010 Pan D23/255
 D615,162 S * 5/2010 Pan D23/255
 D615,629 S * 5/2010 Bouroullec D23/255
 D620,083 S * 7/2010 Zhang D23/255
 7,753,087 B2 7/2010 Rhodenbaugh et al.
 D622,526 S * 8/2010 Dai D6/542
 7,766,189 B2 8/2010 Shaw et al.
 D624,630 S * 9/2010 Matsuura D23/255
 7,799,189 B2 9/2010 Barclay et al.
 8,579,157 B2 11/2013 Bem et al.
 D703,968 S * 5/2014 Hardy D6/542
 8,880,865 B2 11/2014 Abernethy et al.
 D718,954 S * 12/2014 Konishi D6/542
 8,950,628 B2 2/2015 Muderlak et al.
 9,133,607 B2 * 9/2015 Schoolcraft E03C 1/057
 9,271,613 B2 3/2016 Rosko et al.
 9,427,117 B2 8/2016 Barclay
 9,497,428 B2 11/2016 Gaisser et al.
 9,579,613 B2 2/2017 Fawcett et al.
 D785,757 S * 5/2017 Murray D23/238
 9,681,780 B2 6/2017 Ciavarella et al.
 9,687,121 B2 6/2017 Ciavarella et al.
 D793,762 S * 8/2017 Yuan D6/542
 2003/0071074 A1 4/2003 Redman et al.
 2004/0164093 A1 8/2004 Redman et al.
 2005/0133529 A1 6/2005 Redman et al.
 2007/0108230 A1 5/2007 Doyle et al.
 2007/0204925 A1 9/2007 Bolderheij et al.
 2010/0180367 A1 7/2010 Elsener et al.
 2012/0287031 A1 11/2012 Valko et al.
 2013/0020351 A1 1/2013 Pelfrey
 2013/0075420 A1 3/2013 Tramontina et al.
 2014/0263420 A1 9/2014 Lambrix et al.
 2014/0263421 A1 9/2014 Urban et al.
 2014/0332566 A1 11/2014 Peteri

2015/0042789 A1 2/2015 Inwood et al.
 2015/0090737 A1 4/2015 Ciavarella et al.
 2015/0108168 A1 4/2015 Truedsson
 2015/0157754 A1 6/2015 Rutter et al.
 2015/0206415 A1 7/2015 Wegelin et al.
 2015/0223646 A1 8/2015 Wegelin et al.
 2015/0251892 A1 9/2015 Ciavarella et al.
 2015/0268342 A1 9/2015 Iott et al.
 2016/0296080 A1 10/2016 Jeunen
 2016/0309966 A1 10/2016 Ciavarella et al.
 2017/0011239 A1 1/2017 Chapman et al.
 2017/0022692 A1 1/2017 Wang et al.
 2017/0027390 A1 2/2017 Maercovich
 2017/0112329 A1 4/2017 Babikian
 2017/0131130 A1 5/2017 Wegelin
 2017/0135530 A1 5/2017 MacLeod et al.
 2017/0138025 A1 5/2017 Burgo et al.
 2017/0143171 A1 5/2017 Ophardt et al.
 2017/0183853 A1 6/2017 Crist et al.
 2017/0190563 A1 7/2017 Proper et al.
 2017/0190565 A1 7/2017 Proper et al.
 2017/0319014 A1 11/2017 Ophardt et al.

OTHER PUBLICATIONS

Sloan ESD-501 Electronic BASYS Faucet and Soap Dispenser; ProDryers Website Copyright 2019; Visited Online Sep. 22, 2019; https://www.prodryers.com/Sloan-ESD-501-BASYS-Faucet-and-Soap-Dispenser-p/3346086.htm?gclid=EAlalQobChMl6dPw7K7l5AIVC5yzCh2hlwpeEAKYAiABEGkYc_D_BwE (Year: 2019).*

Sloan Optima Faucet EAF-100-LT, Nov. 16, 2017, 2 pages.

Bradley 6315 Lavatory Mounted Sensored Soap Dispenser; Amazon Earliest Review May 9, 2012; Visited Online Sep. 22, 2019; https://www.amazon.com/Bradley-6315-000000-Lavatory-Sensored-Dispenser/dp/BOOJVTIJ_U_O/ref=se_1_-2?keywords=Soap+dispenser+deck+mounted&qid=1569181694&s+industrials&sr+1-2 (Year: 2012), 4 pps.

Lavatory Mounted Automatic Soap Dispenser; Copyright 2017; Visited Online 09/22/19; https://www.allpartitions.com/lamoausodi.html?cmp=googleproducts&kw=lamoausodi&gclid=EAAlaIQobChMIk6-05pTI5A1Vklj_IChOpYAVQEAQYBCABEG_ICk_D_BwE (Year: 2017), 2 pps.

Model 6315 KT0000 Sensored Soap Dispenser, Starter Kit; Bradely Corporation Website; copyright 2018; Visited Online 09/22/2019; <https://www.bradleycorp.com/product/sensored-soap-dispenser-starter-kit> (Year: 2018), 6 pps.

Rubbermaid Commercial One-Shot Foam Soap Dispenser; Amazon Earliest Review Jul. 28, 2014; <https://www.amazon.com/dp/B005KD22WQ?tag=videofproducts-20> (Year: 2014), 7 pps.

Sensor-Operated Soap Dispenser; Spec.Sheet Copyright 2017; Visited Online 9/22/19; <https://sep.yimg.com/ty/cdn/allpartitionsandparts/6315.pdf> (Year: 2017), 2 pps.

* cited by examiner

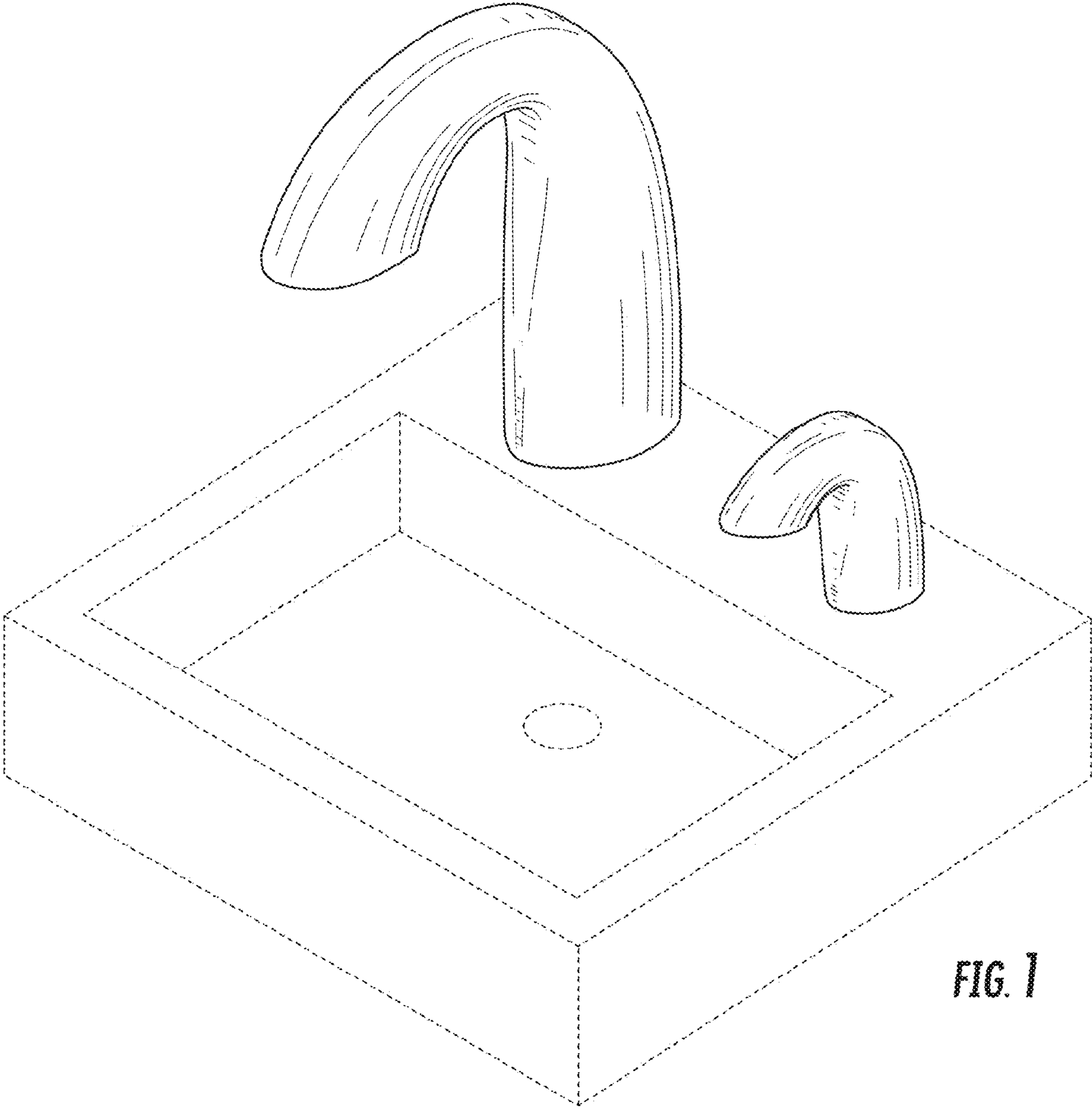


FIG. 1

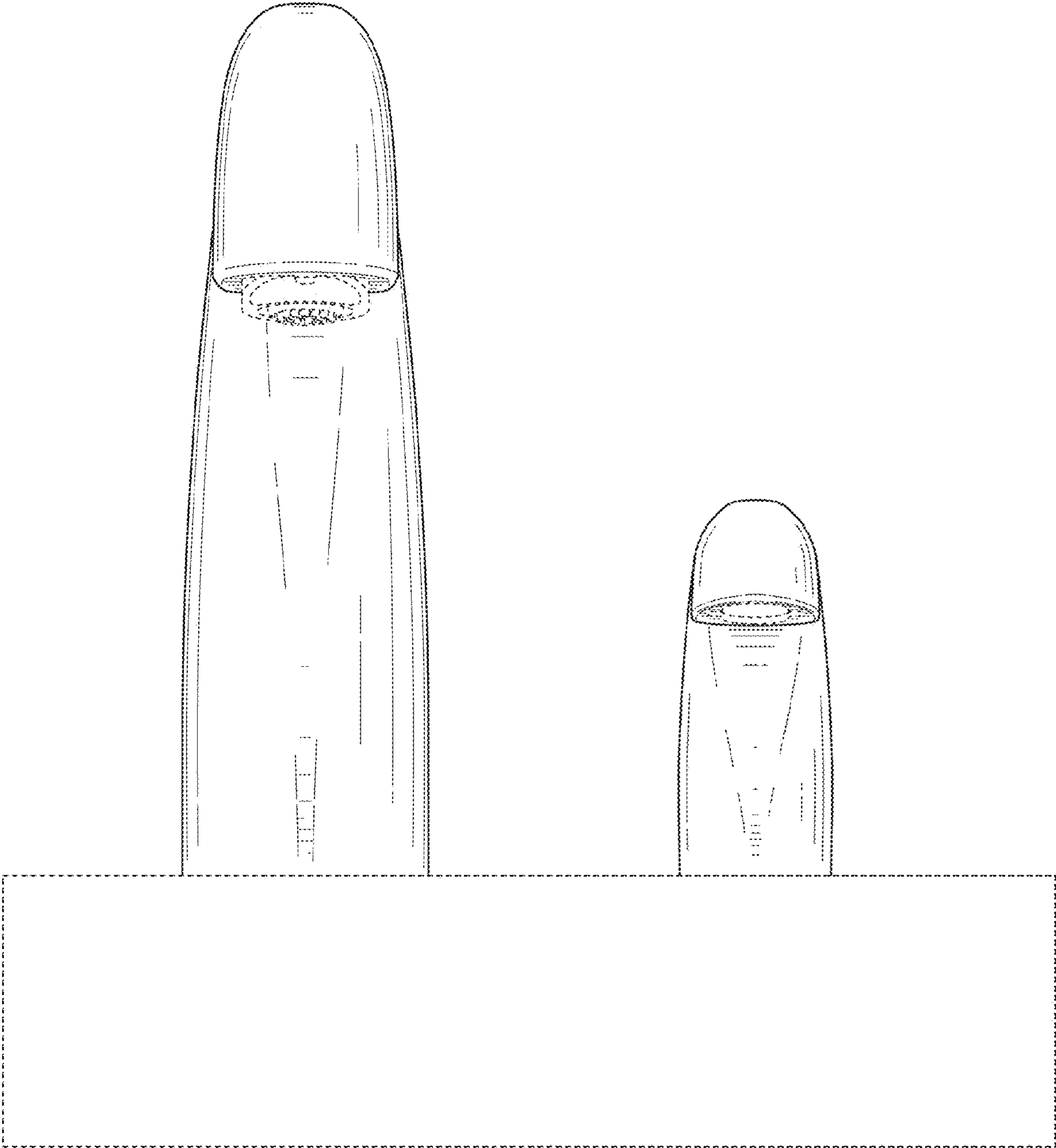


FIG. 2

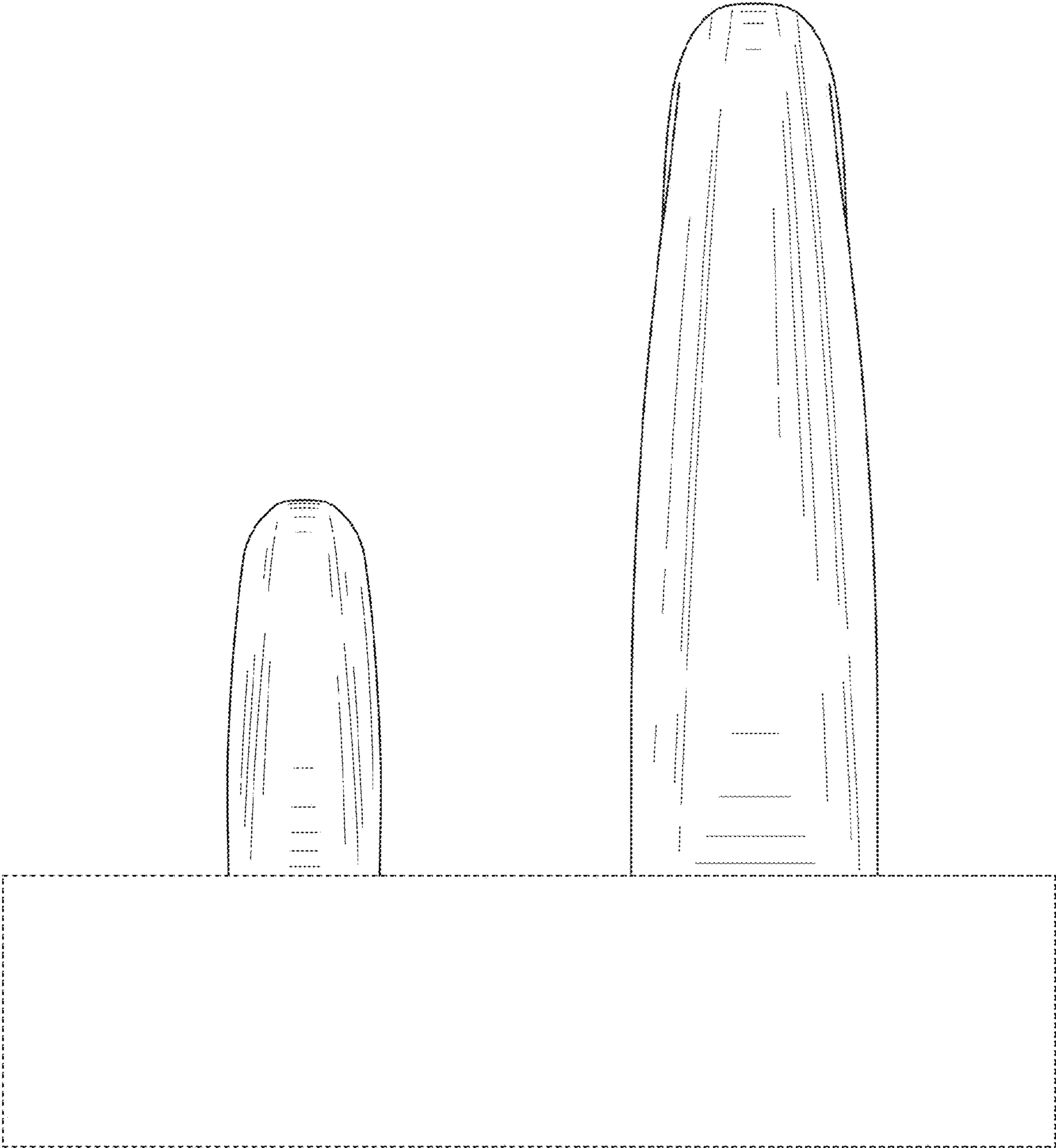


FIG. 3

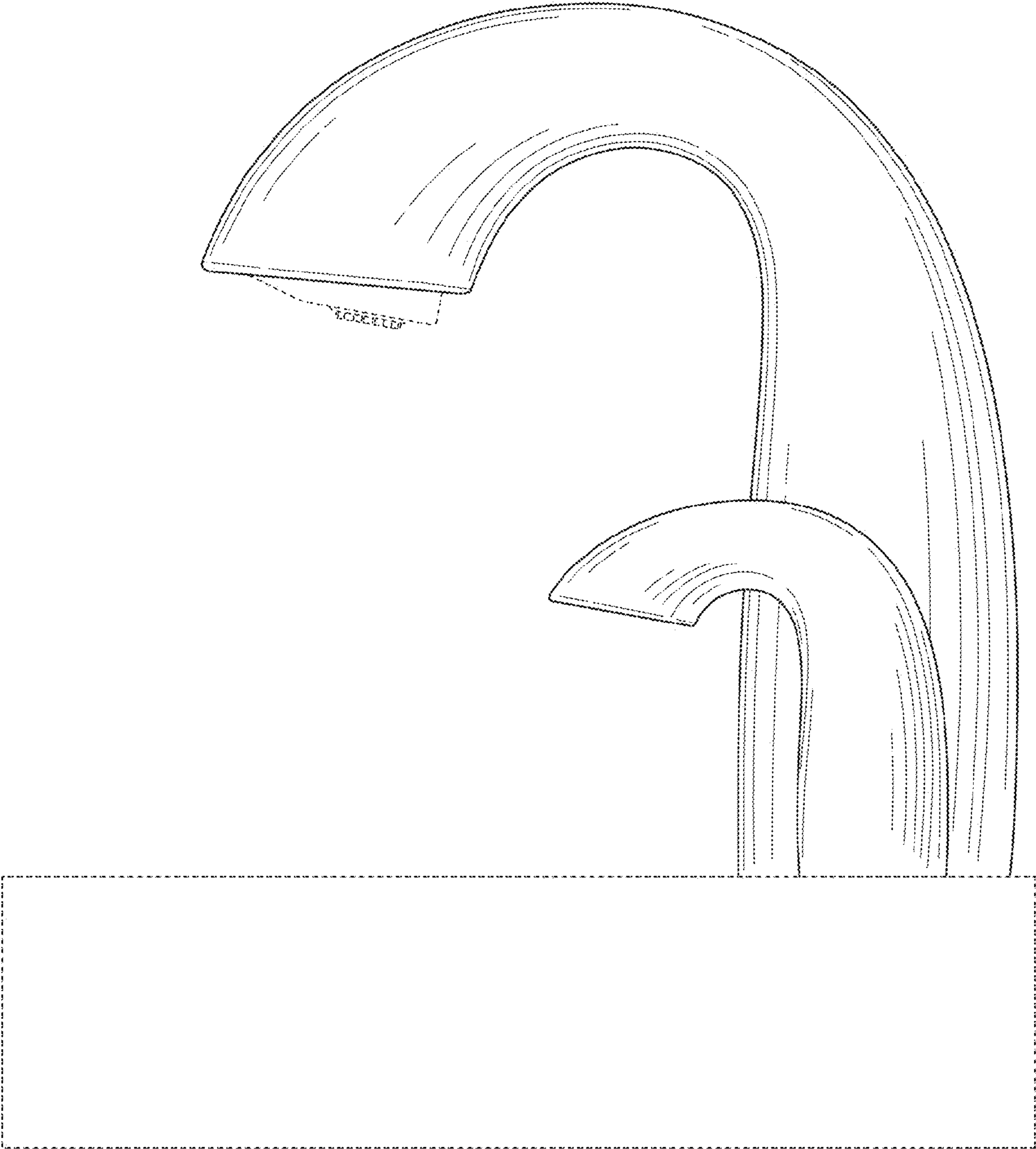


FIG. 4

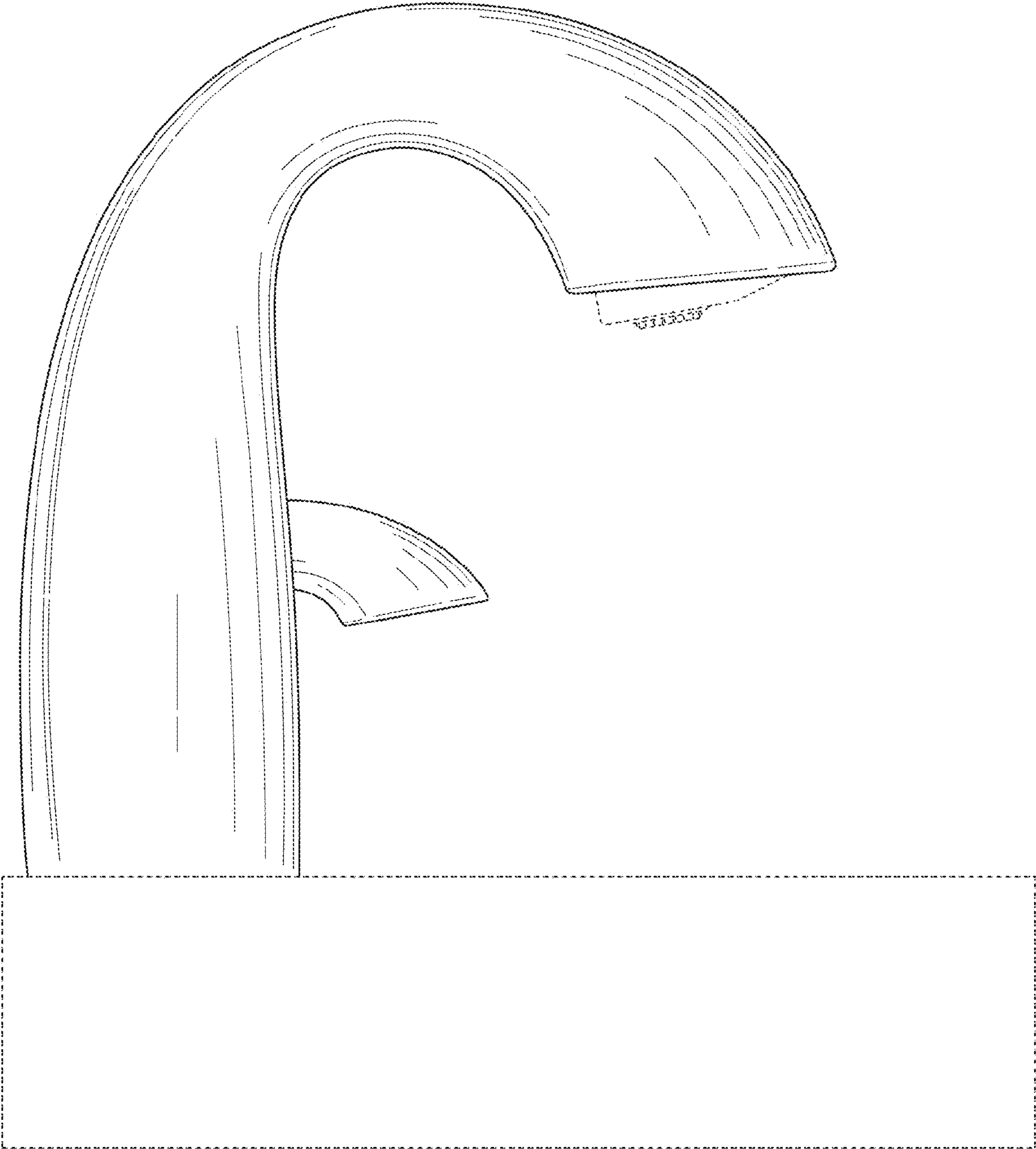


FIG. 5

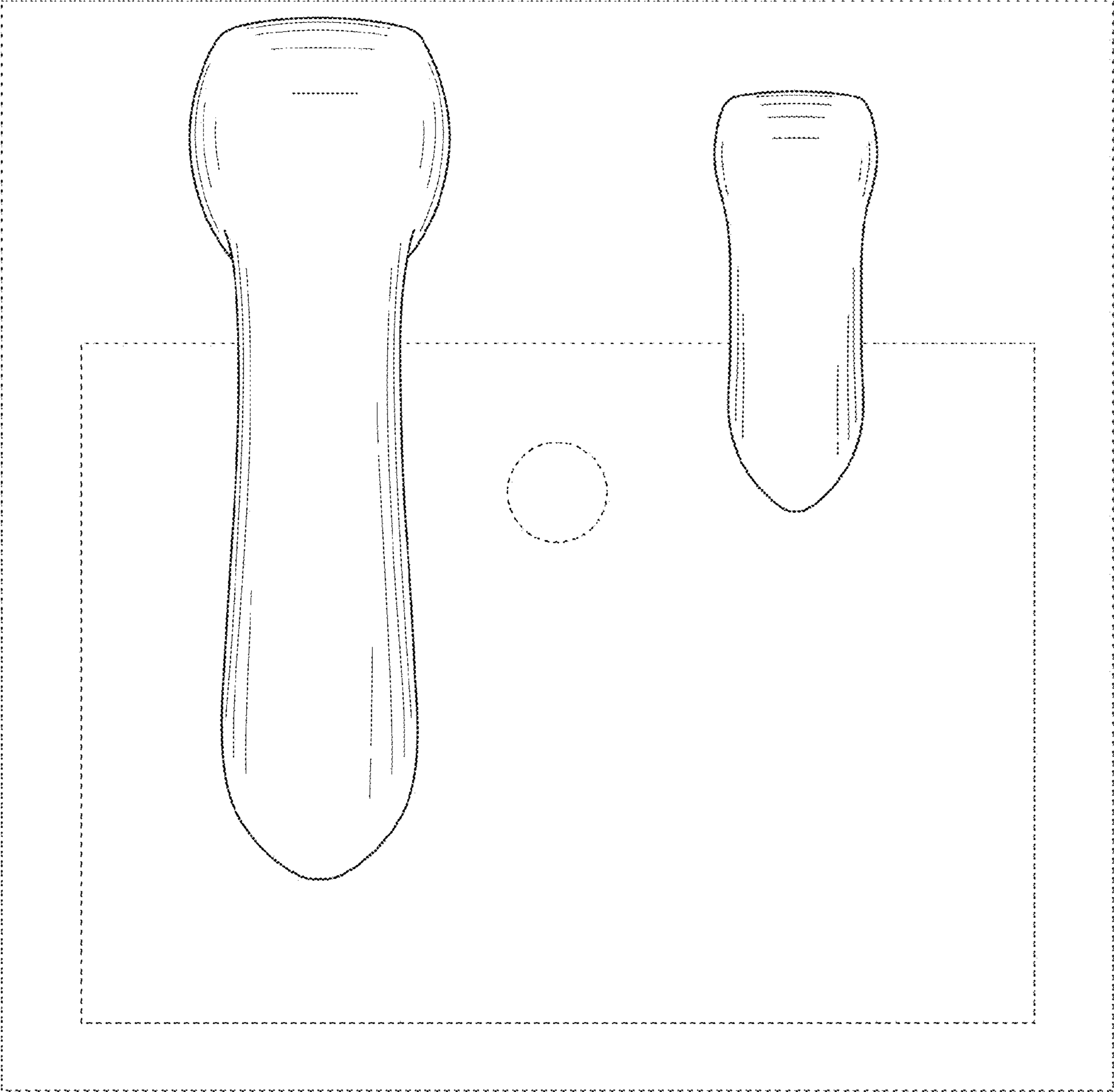


FIG. 6