



US00D886239S

(12) **United States Design Patent**
Gessi

(10) **Patent No.:** **US D886,239 S**
(45) **Date of Patent:** **** Jun. 2, 2020**

(54) **FAUCET**

(71) Applicant: **GESSI S.P.A.**, Serravalle Sesia (VC)
(IT)

(72) Inventor: **Gian Luca Gessi**, Serravalle Sesia (IT)

(73) Assignee: **GESSI S.P.A.**, Serravalle Sesia (VC)
(IT)

(**) Term: **15 Years**

(21) Appl. No.: **29/643,410**

(22) Filed: **Apr. 9, 2018**

(30) **Foreign Application Priority Data**

Oct. 9, 2017 (IT) 402017000113332

(51) **LOC (12) Cl.** **23-01**

(52) **U.S. Cl.**
USPC **D23/238**

(58) **Field of Classification Search**

USPC D23/238-243, 249-252, 254-255, 257;
D8/307-308

CPC Y10T 137/9464
See application file for complete search history.

(56) **References Cited**

U.S. PATENT DOCUMENTS

D534,990 S * 1/2007 Zhou D23/238
D568,443 S * 5/2008 Urquiola D23/240
D576,256 S * 9/2008 Urquiola D23/240
D587,343 S * 2/2009 Nobili D23/213
D589,594 S * 3/2009 Lammel D23/238

D589,596 S * 3/2009 Painter D23/240
D598,979 S * 8/2009 Nobili D23/238
D651,284 S * 12/2011 Flowers D23/243
8,413,686 B2 * 4/2013 Ko E03C 1/0404
137/801
D709,166 S * 7/2014 Yu D23/238
D733,259 S * 6/2015 Flowers D23/238
D735,298 S * 7/2015 Eads D23/238
D786,404 S * 5/2017 Kaule D23/238
D802,720 S * 11/2017 Haug D23/238
9,850,642 B2 * 12/2017 Enlow E03C 1/0404
D835,238 S * 12/2018 Ziemann D23/238
2018/0030700 A1 * 2/2018 Zindler E03C 1/0405

* cited by examiner

Primary Examiner — Amy C Wierenga

(74) *Attorney, Agent, or Firm* — Underwood &
Associates, LLC

(57) **CLAIM**

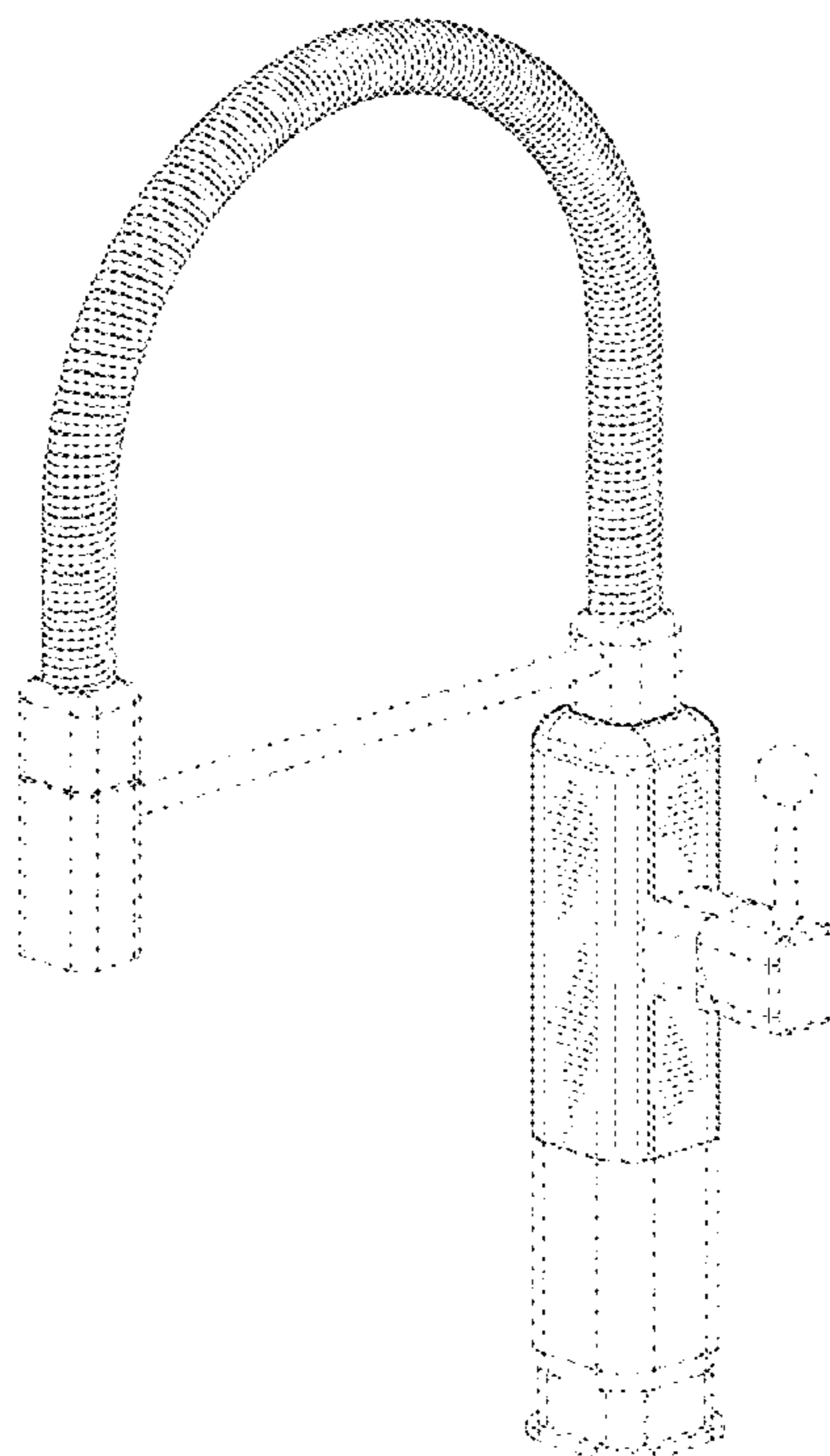
The ornamental design for a faucet, as shown and described.

DESCRIPTION

FIG. 1 is a perspective view of a faucet;
FIG. 2 is a top view of the faucet of FIG. 1;
FIG. 3 is a bottom view of the faucet of FIG. 1;
FIG. 4 is a front view of the faucet of FIG. 1;
FIG. 5 is a back view of the faucet of FIG. 1;
FIG. 6 is a left view of the faucet of FIG. 1; and,
FIG. 7 is a right view of the faucet of FIG. 1.

The evenly spaced broken lines shown in the drawings illustrate portions of the faucet that form no part of the claim. The dash-dot-dash broken lines represent the boundaries of the claim and form no part of the claim.

1 Claim, 7 Drawing Sheets



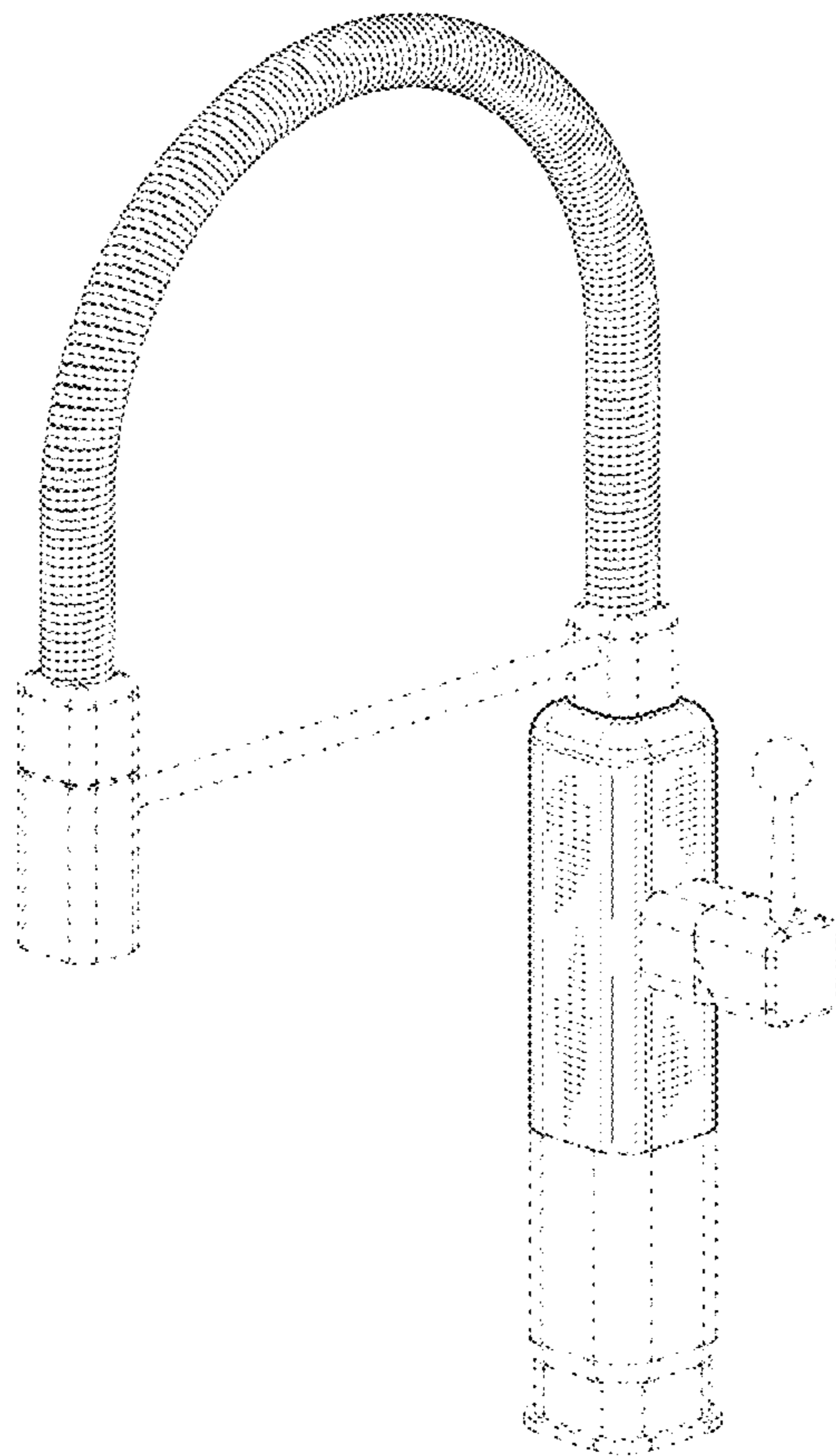


FIG. 1

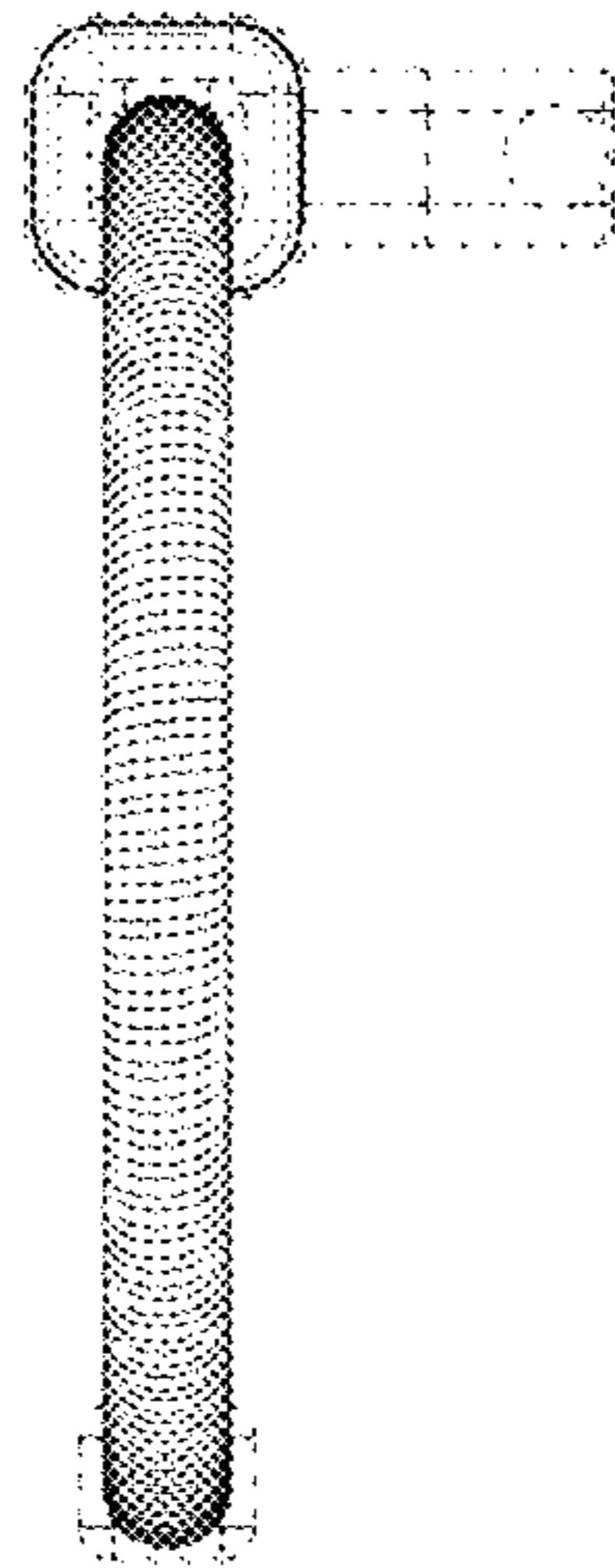


FIG. 2

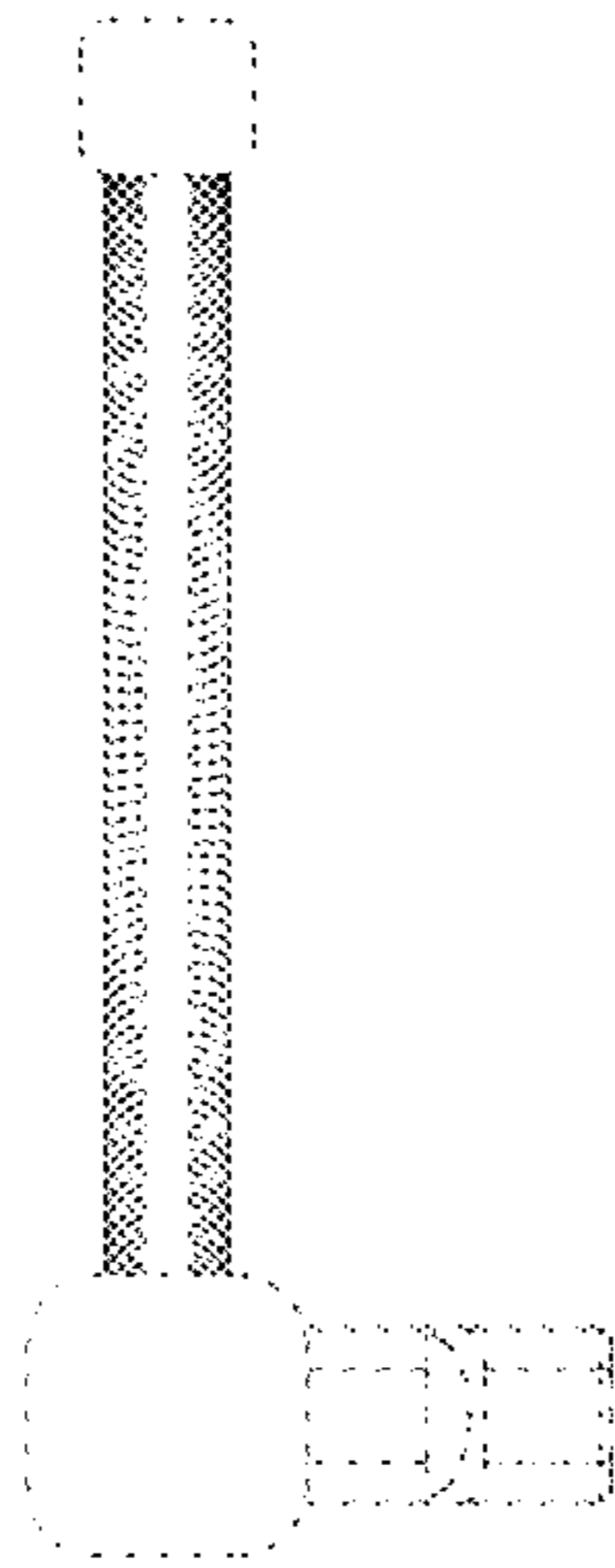


FIG. 3

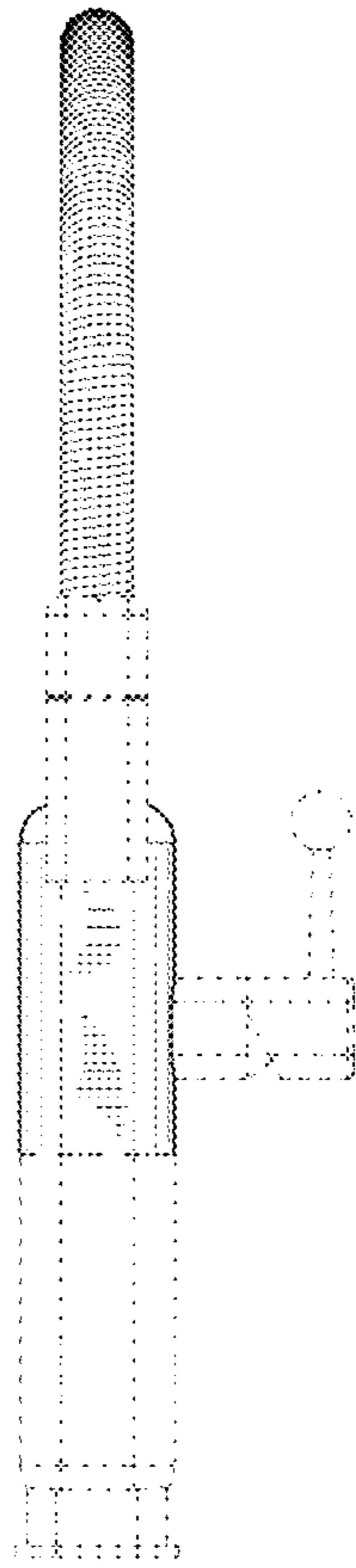


FIG. 4

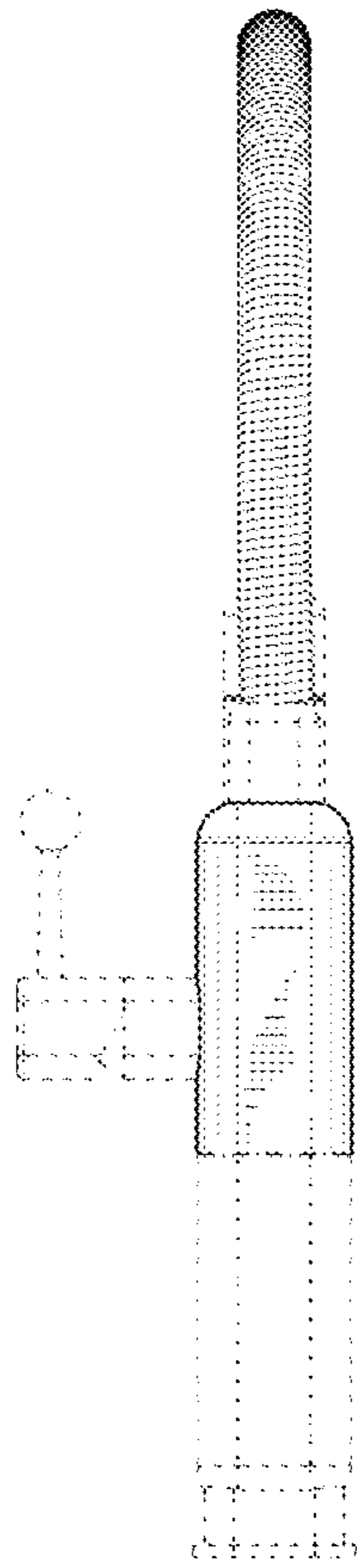


FIG. 5

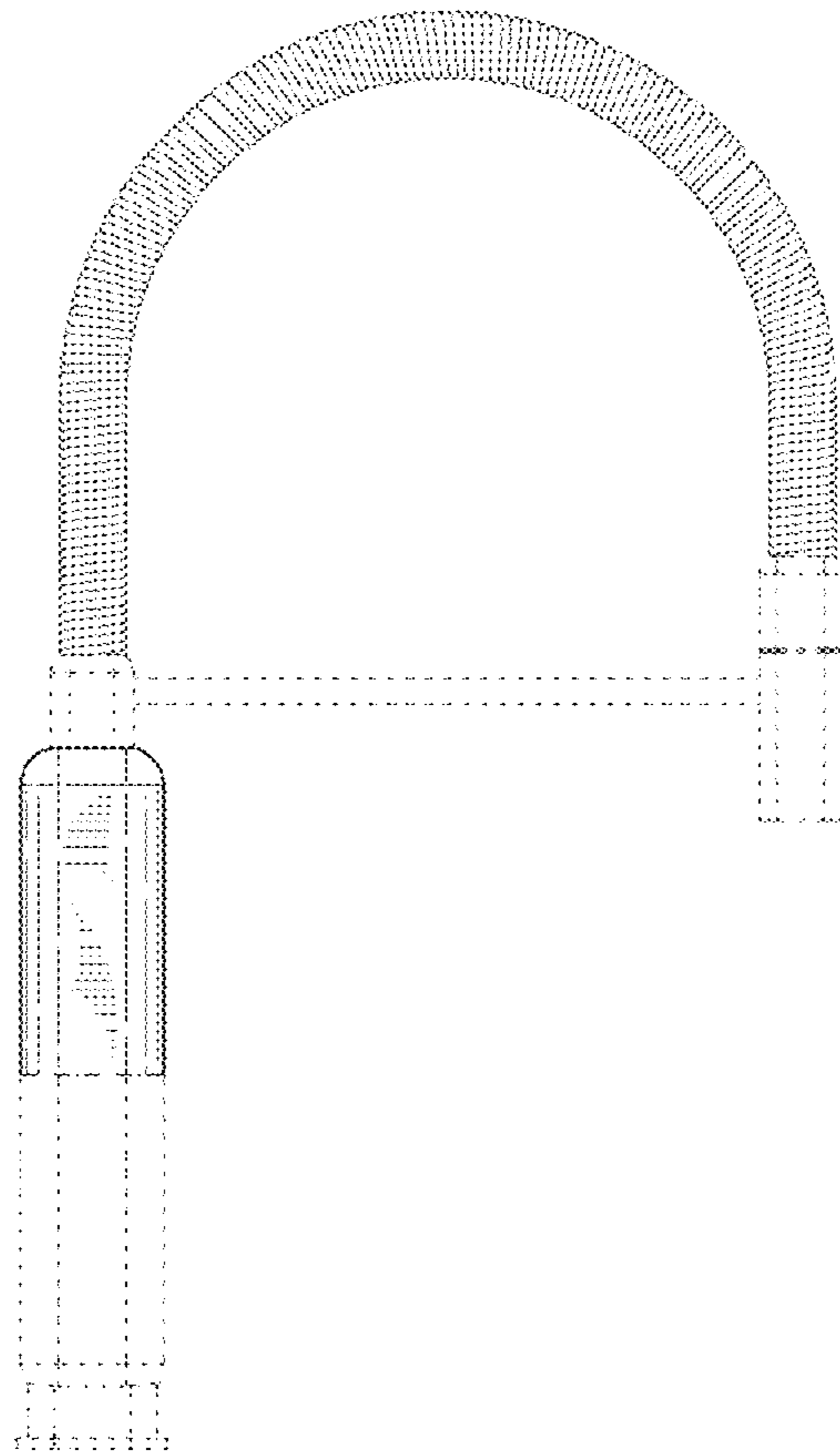


FIG. 6

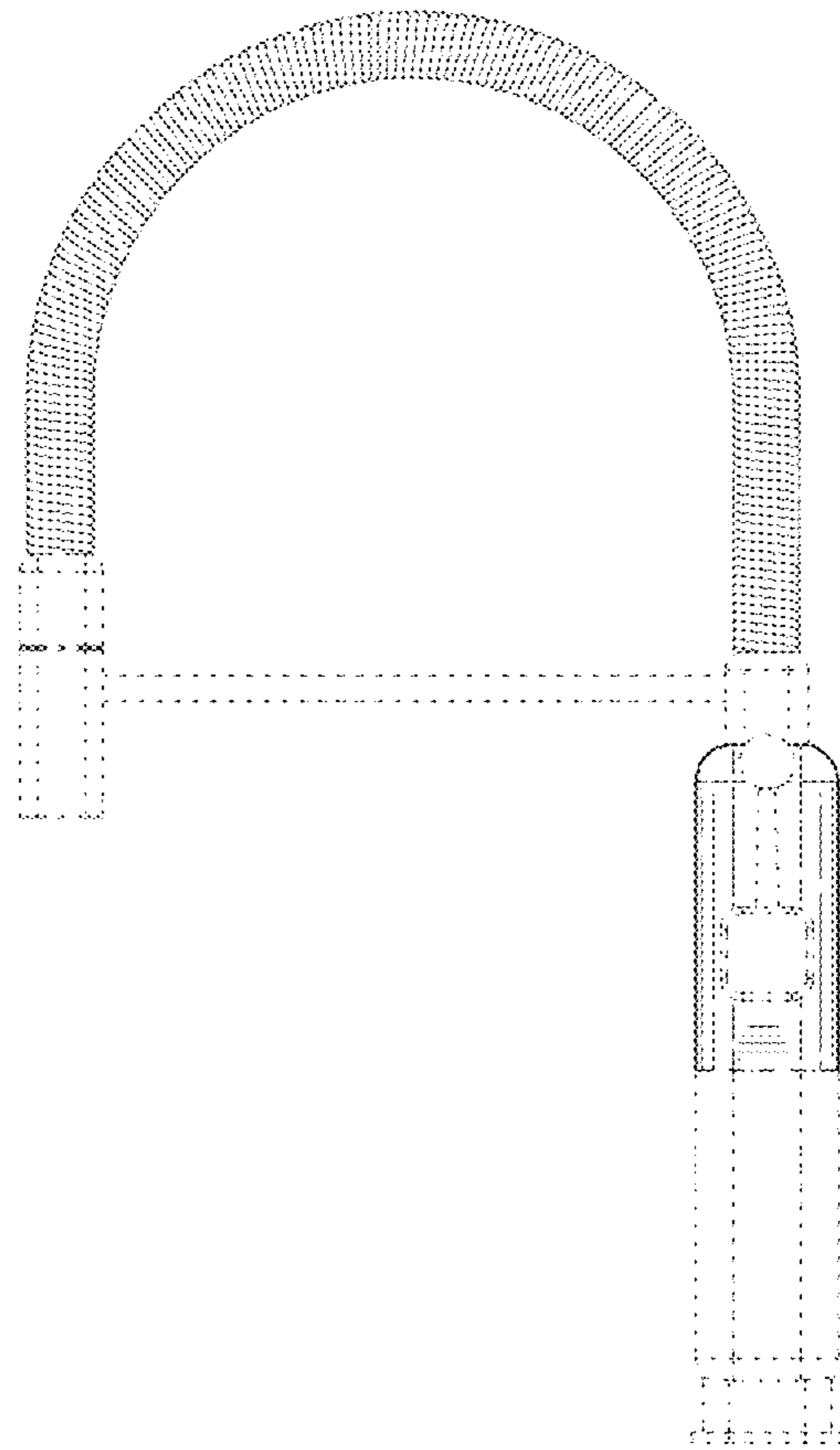


FIG. 7