



US00D886238S

(12) **United States Design Patent** (10) **Patent No.:** **US D886,238 S**
Oechsle (45) **Date of Patent:** **** Jun. 2, 2020**

(54) **FLOW DISTRIBUTOR**
 (71) Applicant: **Neoperl GmbH**, Mullheim (DE)
 (72) Inventor: **Daniel Oechsle**, Mullheim (DE)
 (73) Assignee: **Neoperl GmbH**, Müllheim (DE)
 (**) Term: **15 Years**

(21) Appl. No.: **29/707,029**
 (22) Filed: **Sep. 25, 2019**

Related U.S. Application Data

(62) Division of application No. 35/503,774, filed on Sep. 13, 2017 (U.S. filing date under 35 U.S.C. 384), and having an international filing date of Sep. 13, 2017, now Pat. No. Des. 866,713.

(51) **LOC (12) Cl.** **23-01**
 (52) **U.S. Cl.**
 USPC **D23/233**

(58) **Field of Classification Search**
 USPC D23/213, 233-237, 244-249, 225, 250, D23/251, 252, 253, 254, 256, 257, 258, D23/259, 223, 213.366, 388, 355, 357, D23/358, 361, 363, 364, 209; 417/411; 137/140
 CPC F16K 27/067; F16K 5/0689; F16K 5/0647; F16K 5/067; F16K 31/602; E03C 1/08; E03C 1/084; E03C 1/086; E03C 2001/026; B01D 35/04; B01D 36/006; B01D 29/13; B01D 29/19; F16L 33/23; F16L 33/28; F16L 33/00; F16L 33/01
 See application file for complete search history.

(56) **References Cited**

U.S. PATENT DOCUMENTS

D97,414 S 11/1935 Schlafman
 D180,010 S 4/1957 Britton

D186,489 S 10/1959 Frye
 D236,115 S 7/1975 Bjorklund
 D272,262 S 1/1984 Honma
 D335,918 S 5/1993 Glansk
 D337,633 S * 7/1993 Drager D23/245
 6,425,416 B1 7/2002 Narita et al.
 D478,650 S 8/2003 Lai
 D479,307 S 9/2003 Ferrer Beltran
 D502,762 S * 3/2005 Kriegshauser D23/233
 D513,782 S 1/2006 Lovett
 D566,234 S 4/2008 Caron et al.
 D625,777 S 10/2010 Loffler
 D678,470 S 3/2013 Mortensen
 D678,981 S * 3/2013 Shengyong D23/233
 D747,784 S 1/2016 McLauchlan et al.
 D752,721 S 3/2016 Wildfang
 D759,214 S 6/2016 Fugazza
 D759,215 S 6/2016 Fugazza
 D773,611 S 12/2016 Baker
 D796,633 S 9/2017 Adey et al.

(Continued)

Primary Examiner — Melanie Pellegrini

(74) *Attorney, Agent, or Firm* — Volpe and Koenig, P.C.

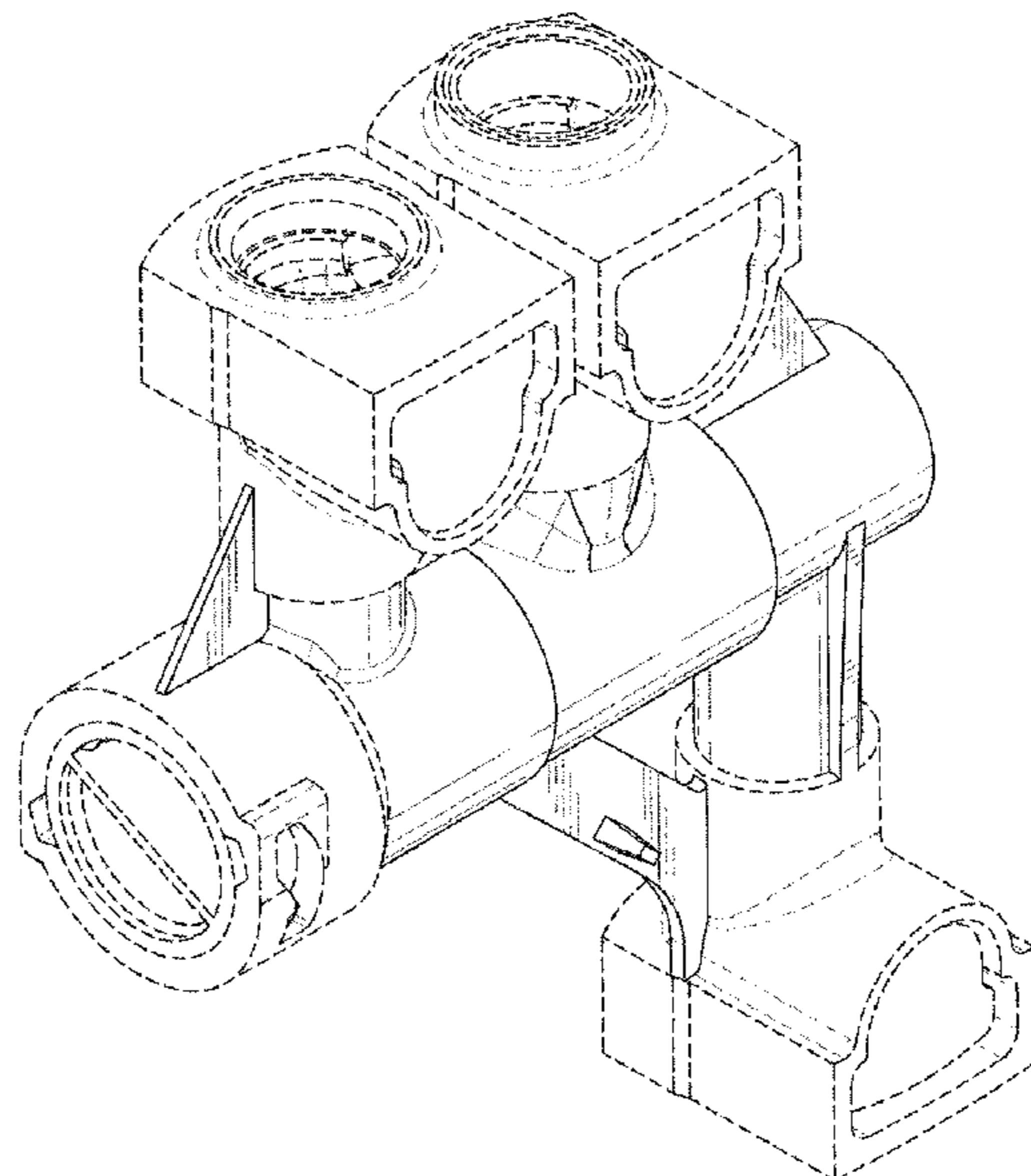
(57) **CLAIM**

The ornamental design for a flow distributor, as shown and described.

DESCRIPTION

FIG. 1 is a top plan view of the flow distributor according to my design;
 FIG. 2 is a top, front, right perspective view thereof;
 FIG. 3 is a bottom plan view thereof;
 FIG. 4 is a bottom, front, right perspective view thereof;
 FIG. 5 is a front elevational view thereof;
 FIG. 6 is a rear elevational view thereof;
 FIG. 7 is a left side elevational view thereof; and,
 FIG. 8 is a right side elevational view thereof.
 The broken lines represent portions of the flow distributor that form no part of the claimed design.

1 Claim, 8 Drawing Sheets



(56)

References Cited

U.S. PATENT DOCUMENTS

D801,486 S	10/2017	Wildfang et al.	
D815,257 S	4/2018	Fugazza	
D825,717 S	8/2018	Karibe	
D841,121 S	2/2019	Kiefer et al.	
D842,971 S	3/2019	Loffler	
D849,198 S	5/2019	Karibe	
D864,353 S *	10/2019	Oechsle	D23/233
D866,713 S *	11/2019	Oechsle	D23/233
2006/0089603 A1 *	4/2006	Truitt	A61M 39/02 604/246
2014/0069548 A1 *	3/2014	Hasegawa	F16L 47/02 138/155

* cited by examiner

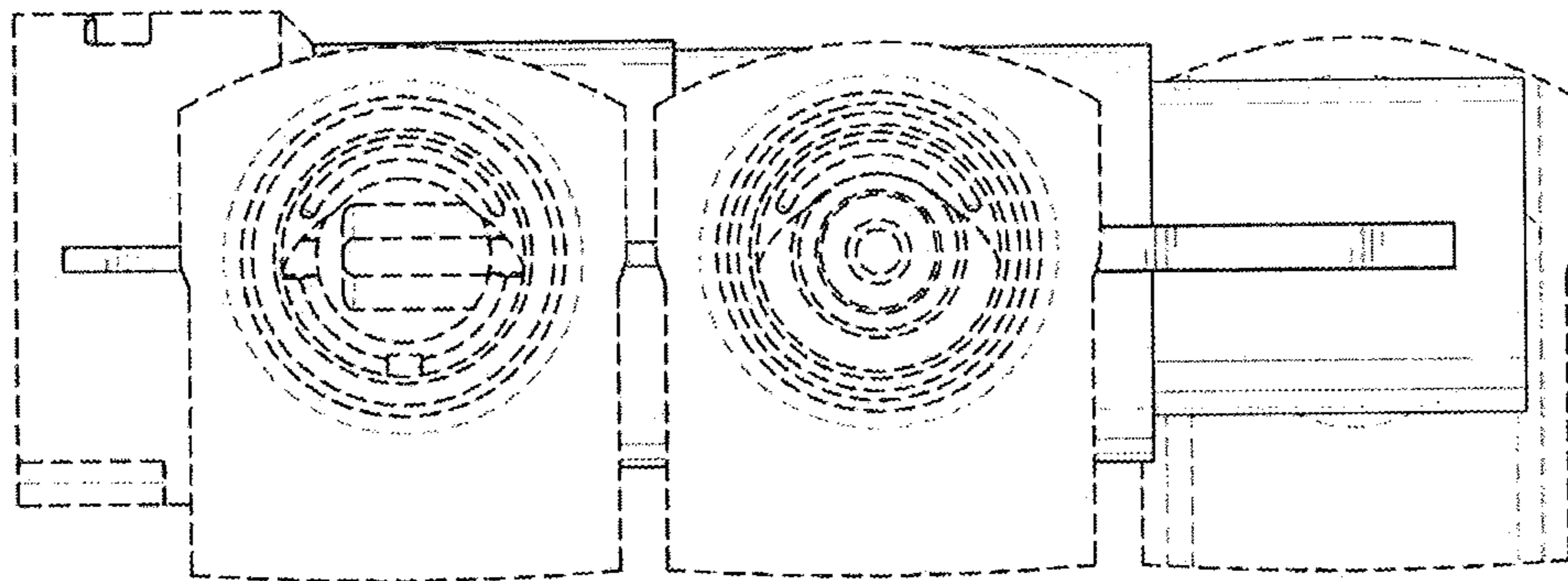


Fig. 1

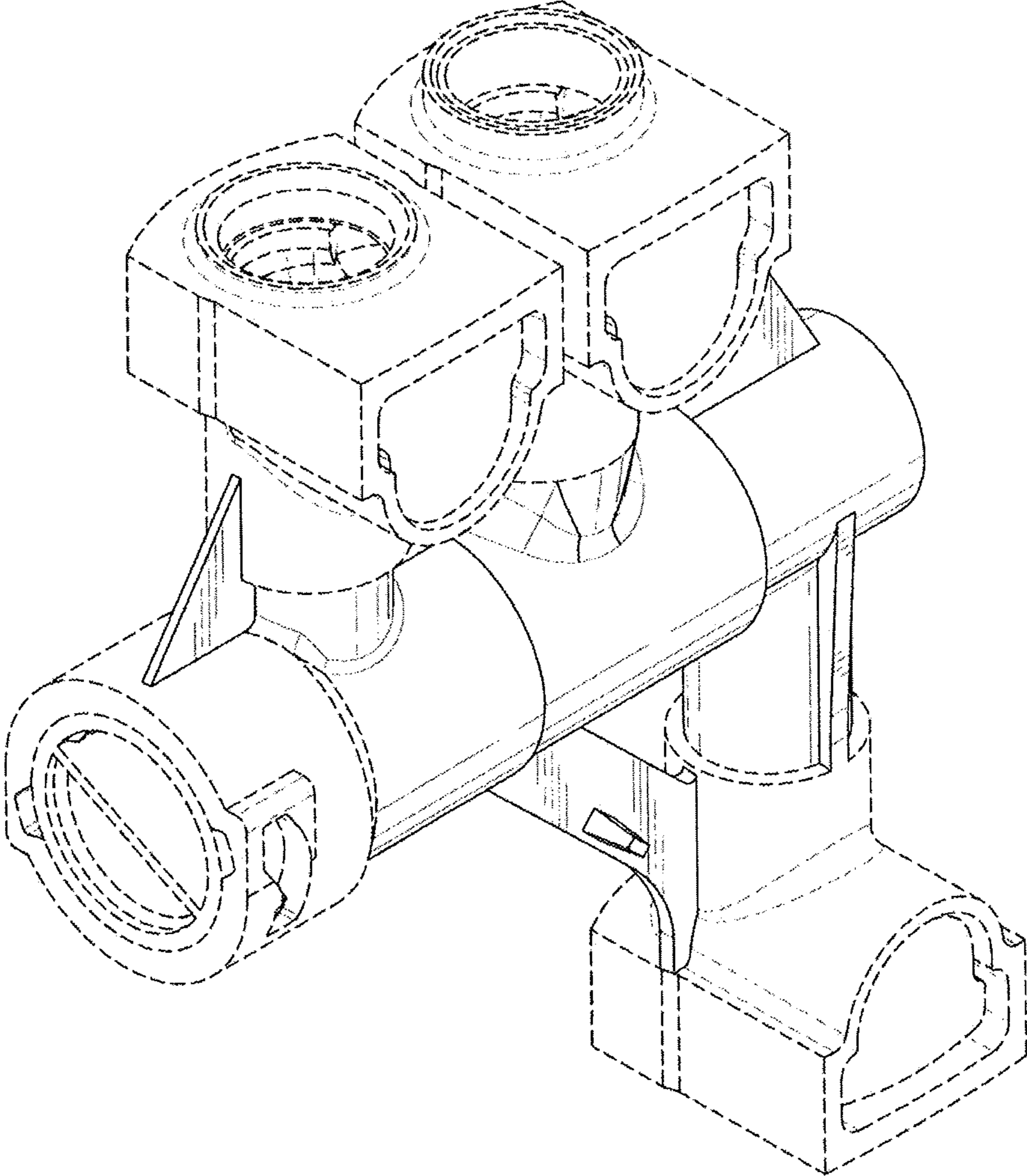


Fig. 2

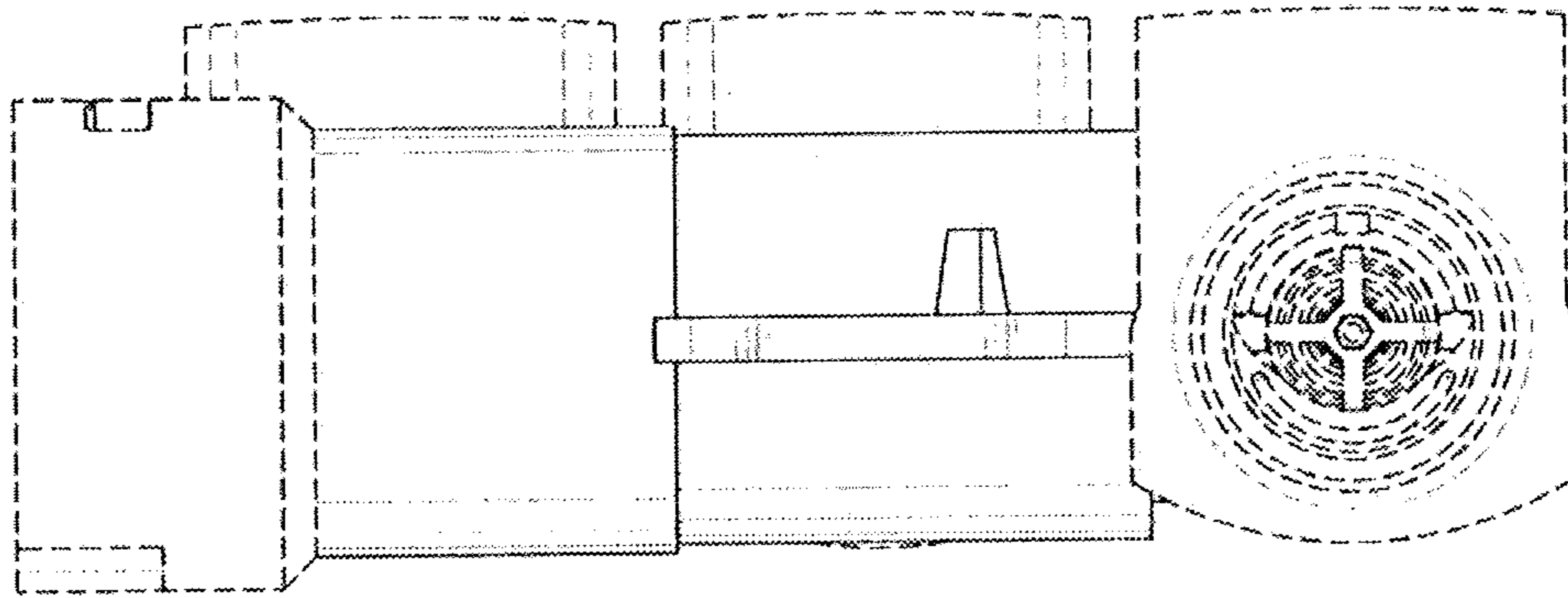


Fig. 3

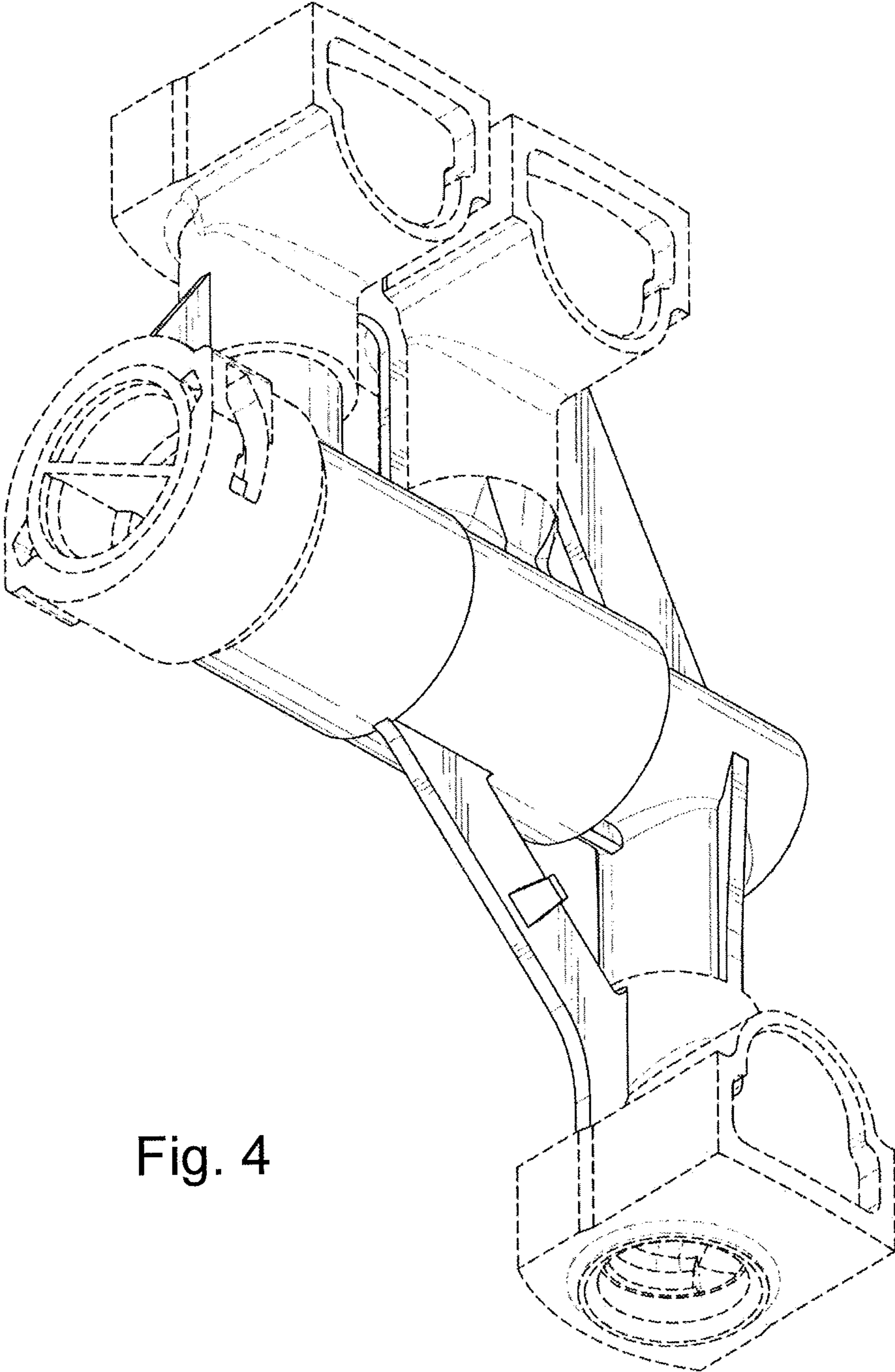


Fig. 4

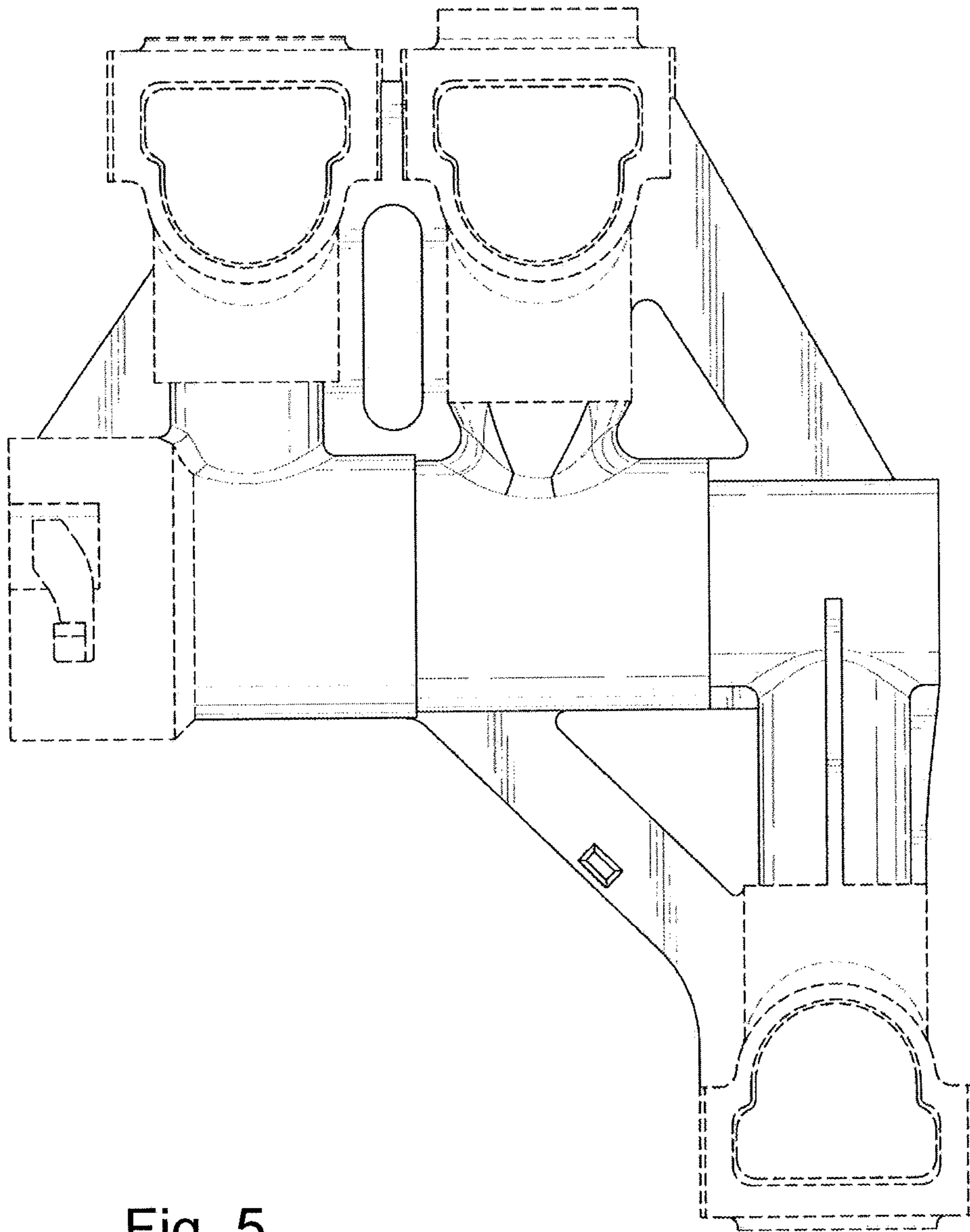


Fig. 5

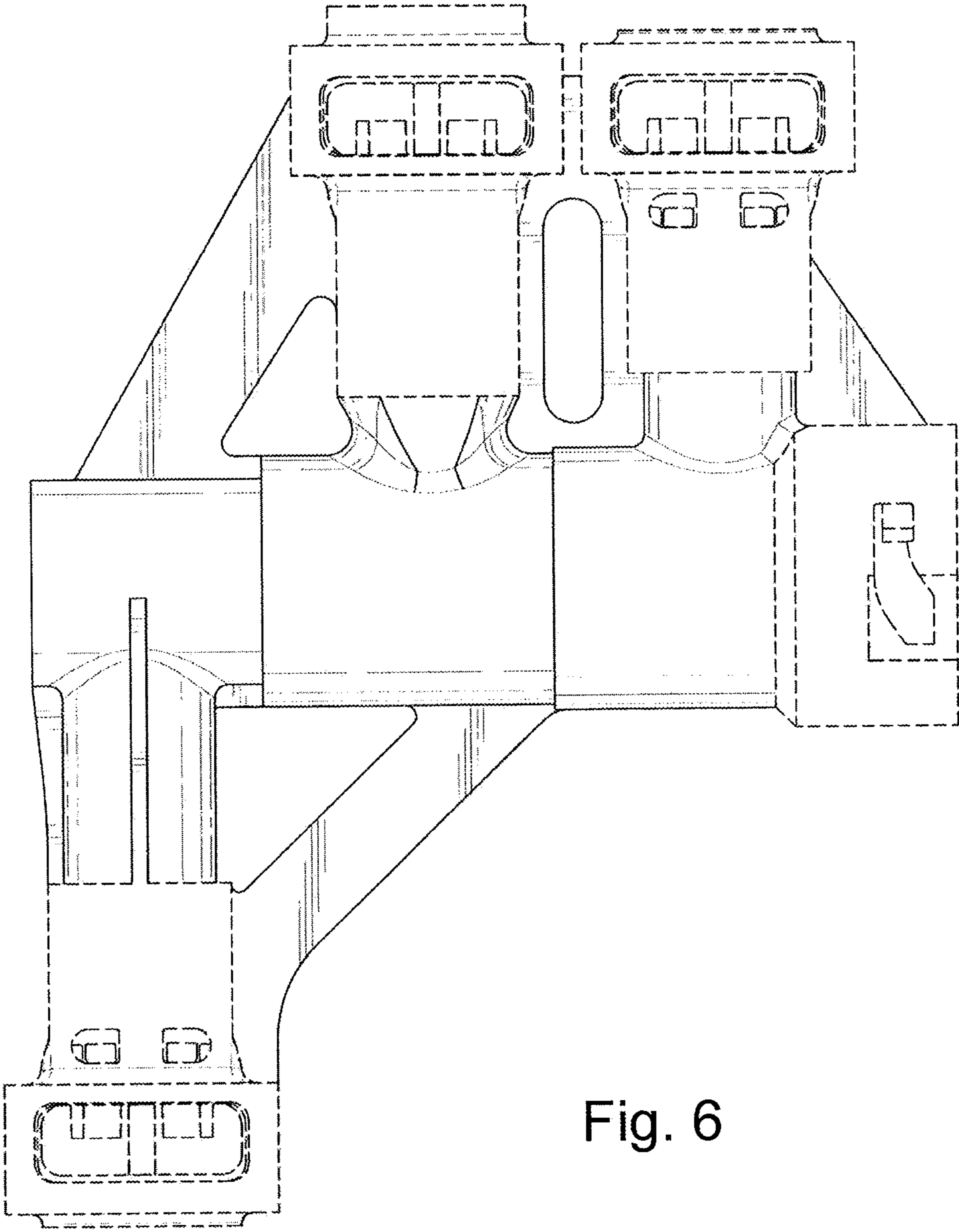


Fig. 6

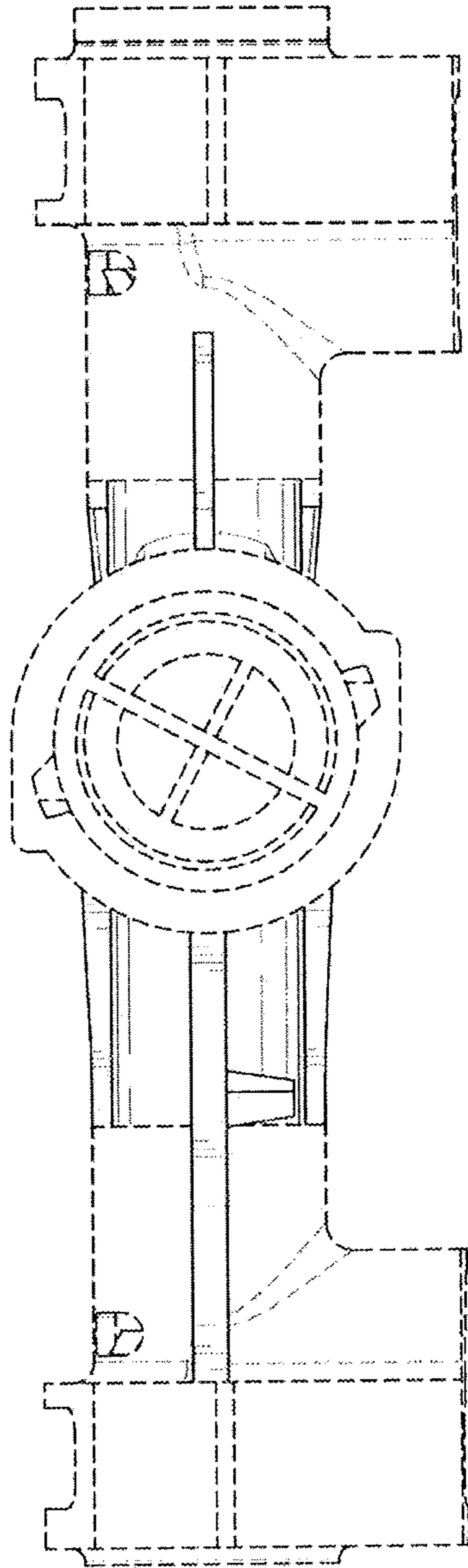


Fig. 7

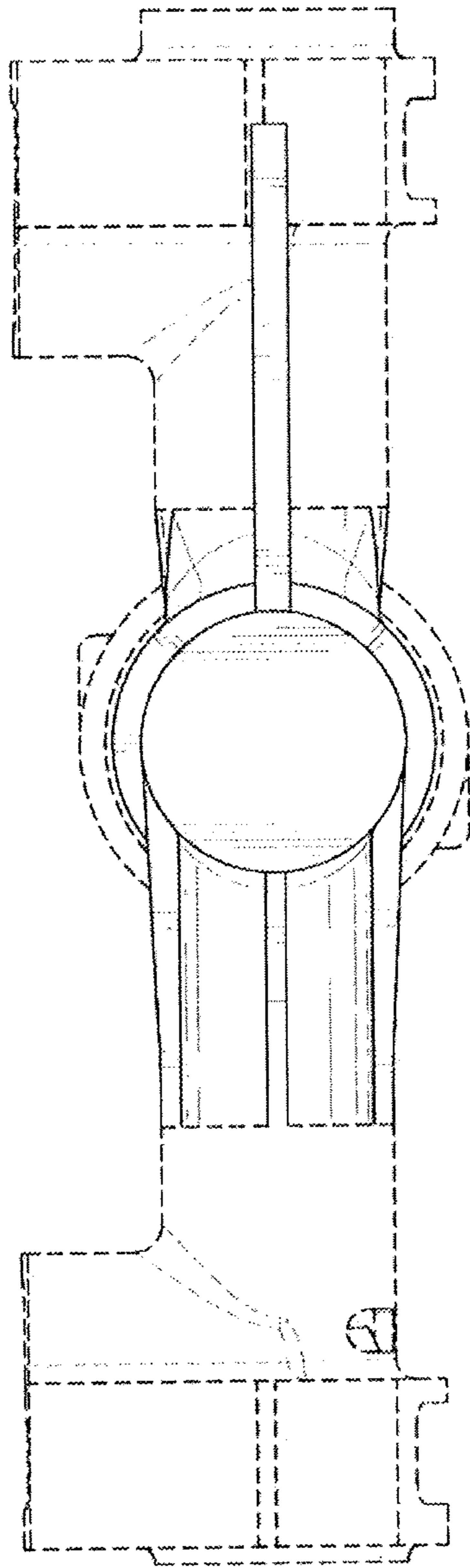


Fig. 8