



US00D886236S

(12) **United States Design Patent** (10) **Patent No.:** **US D886,236 S**
Pfund et al. (45) **Date of Patent:** **** Jun. 2, 2020**

(54) **HOUSING FOR MULTIPLE VALVES**

FOREIGN PATENT DOCUMENTS

(71) Applicant: **Bradley Fixtures Corporation**,
Menomonee Falls, WI (US)

CN 207516351 U 6/2018
GB 2 423 347 8/2006

(72) Inventors: **Ryan Pfund**, Menomonee Falls, WI
(US); **Heming Dai**, Menomonee Falls,
WI (US)

OTHER PUBLICATIONS

(73) Assignee: **Bradley Fixtures Corporation**,
Menomonee Falls, WI (US)

Kohler K-669-KSNA MasterShower Thermostatic Valve, posted at
amazon.com, posting date Jun. 16, 2007, [online], [site visited Oct.
9, 2019]. Available from Internet, URL: <https://www.amazon.com/Kohler-Model-669KS-Mastershower-Thermostatic/dp/B000ND5WCU> (Year: 2007).*

(**) Term: **15 Years**

(Continued)

(21) Appl. No.: **29/647,856**

Primary Examiner — George D. Kirschbaum

(22) Filed: **May 16, 2018**

Assistant Examiner — Maria J Edwards

(51) **LOC (12) Cl.** **23-01**

(74) *Attorney, Agent, or Firm* — Foley & Lardner LLP

(52) **U.S. Cl.**

USPC **D23/233**

(57) **CLAIM**

(58) **Field of Classification Search**

USPC D23/233

CPC E03B 7/09; F16K 19/006

See application file for complete search history.

We claim the ornamental design for a housing for multiple
valves, as shown and described.

(56) **References Cited**

DESCRIPTION

U.S. PATENT DOCUMENTS

2,250,815 A 7/1941 Ruegg et al.
2,317,717 A 4/1943 Bauman
2,506,700 A 5/1950 Chace
4,409,694 A 10/1983 Barrett et al.
4,635,844 A 1/1987 Barrett et al.
4,669,653 A 6/1987 Avelöv
4,688,273 A 8/1987 Lyng
4,699,653 A 10/1987 Barcza et al.
4,700,884 A 10/1987 Barrett et al.
4,753,265 A 6/1988 Barrett et al.
4,896,658 A 1/1990 Yonekubo et al.
4,909,435 A 3/1990 Kidouchi et al.
5,323,960 A 6/1994 Kline
5,647,531 A 7/1997 Kline et al.

FIG. 1 is a front, right, perspective view of the claimed
design additionally showing an exemplary pair of valves
attached to the housing;

FIG. 2 is a front, right, perspective view of the claimed
design of FIG. 1;

FIG. 3 is a front side view of the claimed design of FIG. 1;

FIG. 4 is a rear side view of the claimed design of FIG. 1;

FIG. 5 is a right side view of the claimed design of FIG. 1;

FIG. 6 is a left side view of the claimed design of FIG. 1;

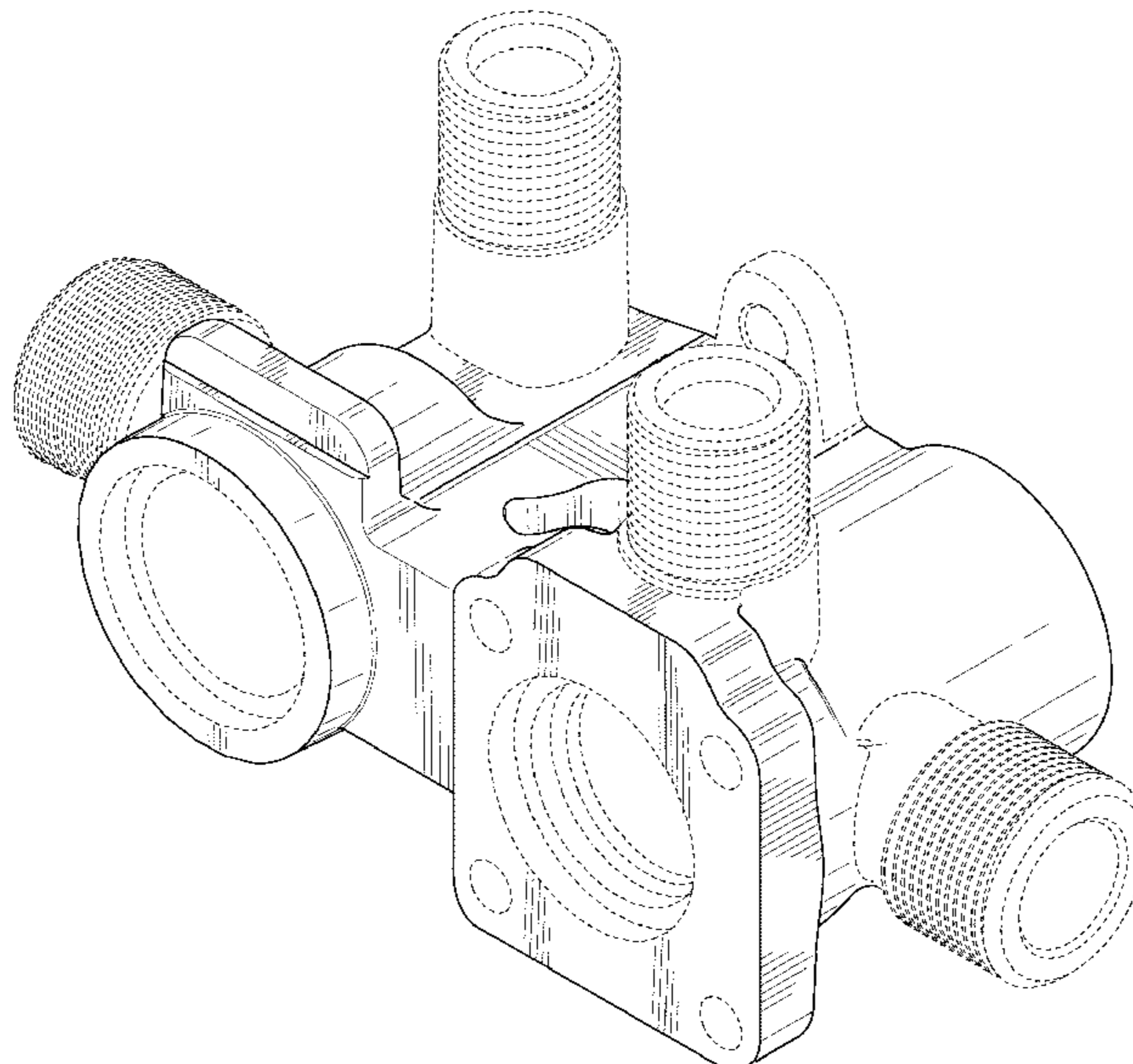
FIG. 7 is a top view of the claimed design of FIG. 1; and,

FIG. 8 is a bottom view of the claimed design of FIG. 1.

The broken lines illustrate environmental structure and form
no part of the claimed design.

(Continued)

1 Claim, 7 Drawing Sheets



(56)

References Cited

U.S. PATENT DOCUMENTS

5,725,010 A 3/1998 Marty et al.
 5,730,167 A 3/1998 Enoki et al.
 6,021,952 A 2/2000 Antonello et al.
 6,042,015 A 3/2000 Eveleigh et al.
 6,315,210 B1 11/2001 Kline
 6,385,794 B1 5/2002 Miedzius et al.
 6,508,406 B1 1/2003 Eveleigh et al.
 6,543,478 B2 4/2003 Kline
 6,644,333 B2 11/2003 Gloodt
 D494,252 S 8/2004 Kline
 6,851,440 B2 2/2005 Kline
 6,926,205 B2 8/2005 Taylor et al.
 6,929,188 B2 8/2005 Taylor et al.
 7,163,157 B2 1/2007 Goncez et al.
 7,175,100 B2 2/2007 Eveleigh et al.
 7,191,954 B2 3/2007 Kline
 7,343,930 B2 3/2008 Rosko
 7,344,088 B2 3/2008 Yang
 D577,103 S * 9/2008 Caron D23/233
 D585,959 S * 2/2009 Caron D23/233
 7,665,671 B2 2/2010 Cunningham et al.
 D622,350 S * 8/2010 Gramagna D23/233
 7,775,450 B2 8/2010 Warshawsky
 7,896,029 B2 3/2011 Yoshimura et al.
 8,347,917 B2 1/2013 Yoshimura et al.
 8,579,206 B2 11/2013 Kline
 9,165,880 B2 10/2015 Wang et al.
 9,218,006 B2 12/2015 Kline
 9,235,220 B2 1/2016 Goncez
 9,382,833 B2 7/2016 Morein
 D762,818 S 8/2016 Kline

D771,223 S * 11/2016 Rycroft D23/233
 9,500,299 B2 11/2016 Morein et al.
 9,504,970 B2 11/2016 Baker
 9,599,239 B2 3/2017 Ohno et al.
 D794,165 S * 8/2017 Adey B03C 1/286
 D23/233

9,889,067 B2 2/2018 Novak et al.
 9,898,017 B2 2/2018 Graves et al.
 10,316,977 B2 6/2019 Raftis et al.
 2004/0173688 A1 9/2004 Gloodt
 2007/0246549 A1 10/2007 Kline
 2009/0014434 A1 1/2009 Gloodt
 2014/0048142 A1 2/2014 Gloodt
 2014/0290775 A1 10/2014 Lefebber et al.
 2016/0040585 A1 2/2016 Schaefer
 2016/0341325 A1 11/2016 Ye et al.

OTHER PUBLICATIONS

Kohler K-670-KSNA MasterShower Thermostatic Valve, posted at amazon.com, posting date Apr. 2, 2007, [online], [site visited Oct. 9, 2019]. Available from Internet, URL: <https://www.amazon.com/KOHLER-K-670-KS-NA-MasterShower-4-Inch-Thermostatic/dp/B000ND7VJ2> (Year: 2007).*

Kohler MasterShower Thermostatic Valve, posted at homedepot.com, posting date not given, [online], [site visited Oct. 9, 2019]. Available from Internet, URL: <https://www.homedepot.com/p/KOHLER-MasterShower-1-2-in-Thermostatic-Valve-K-2972-KS-NA/203782806> (Year: 2019).*

International Search Report and Written Opinion regarding Application No. PCT/US2019/032516, dated Aug. 8, 2019, 13 pps.

* cited by examiner

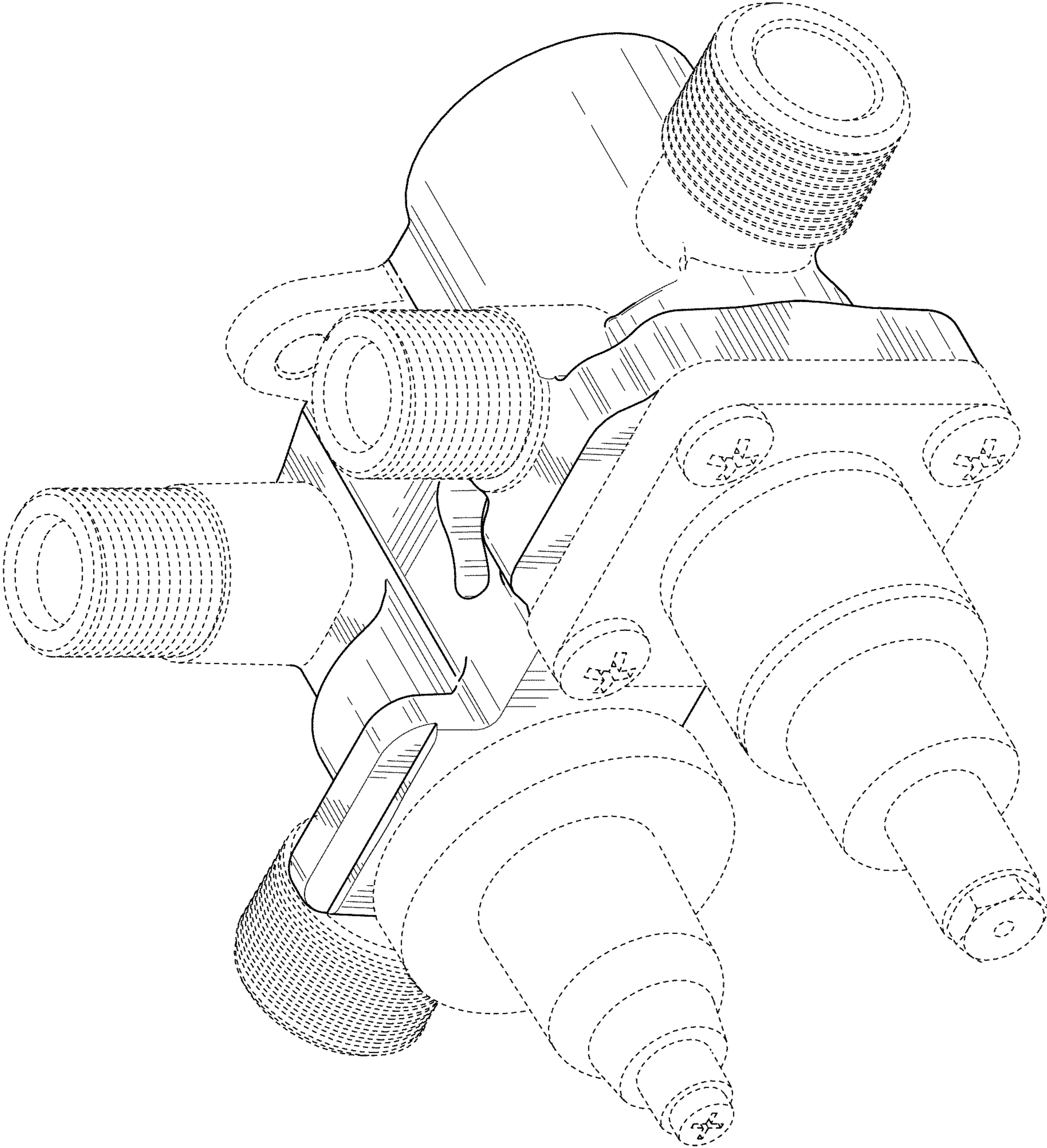
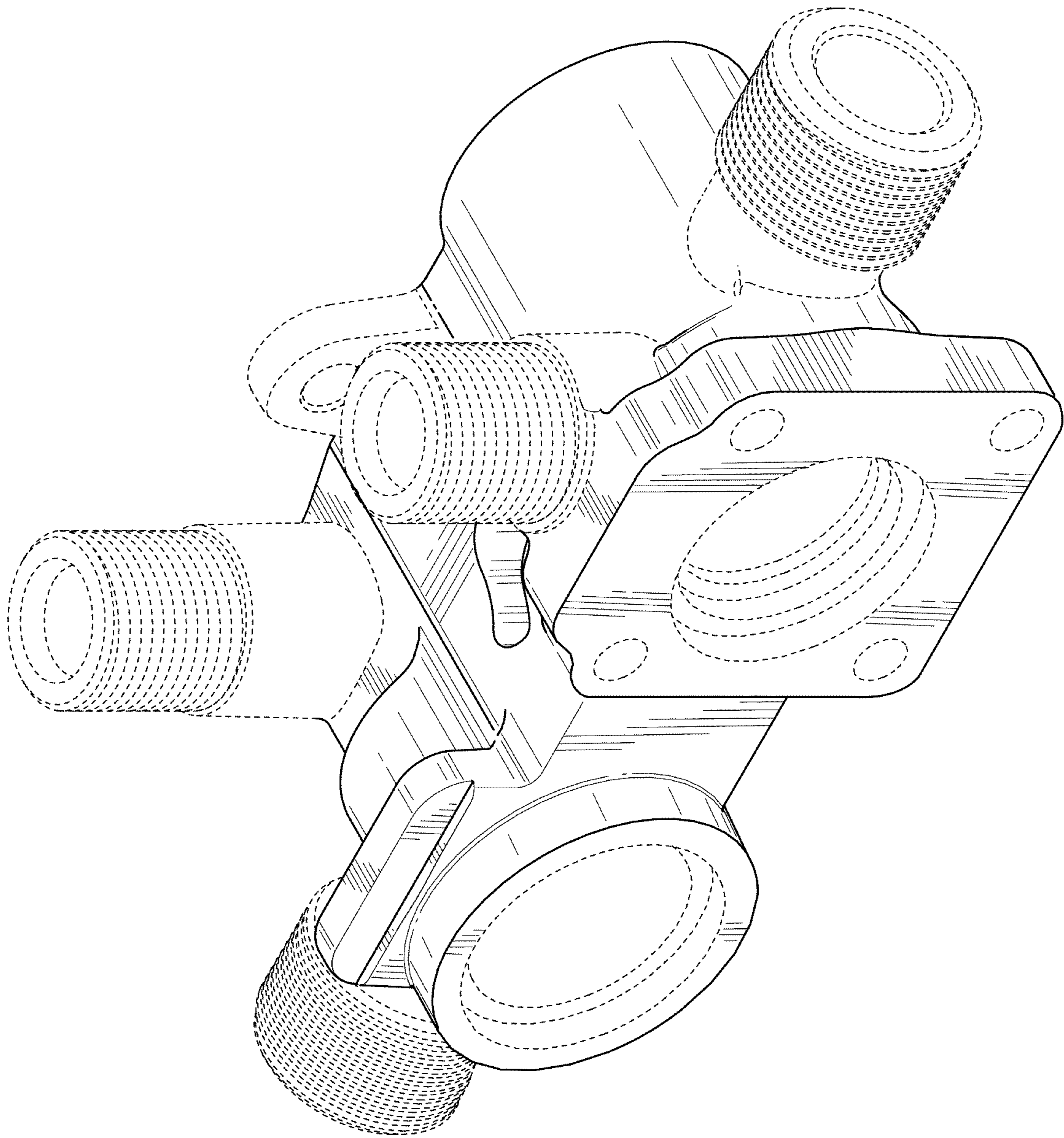


FIG. 1

FIG. 2



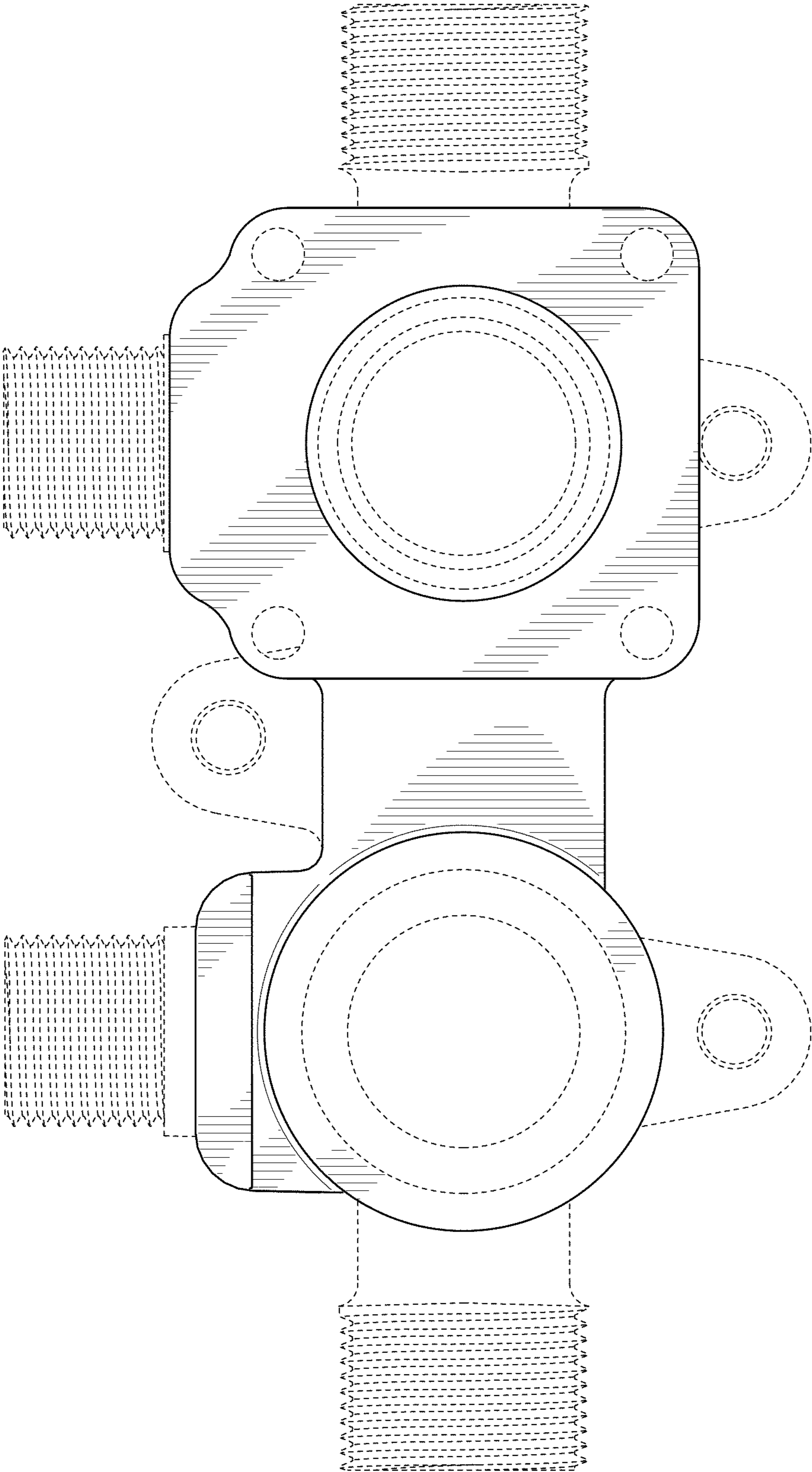
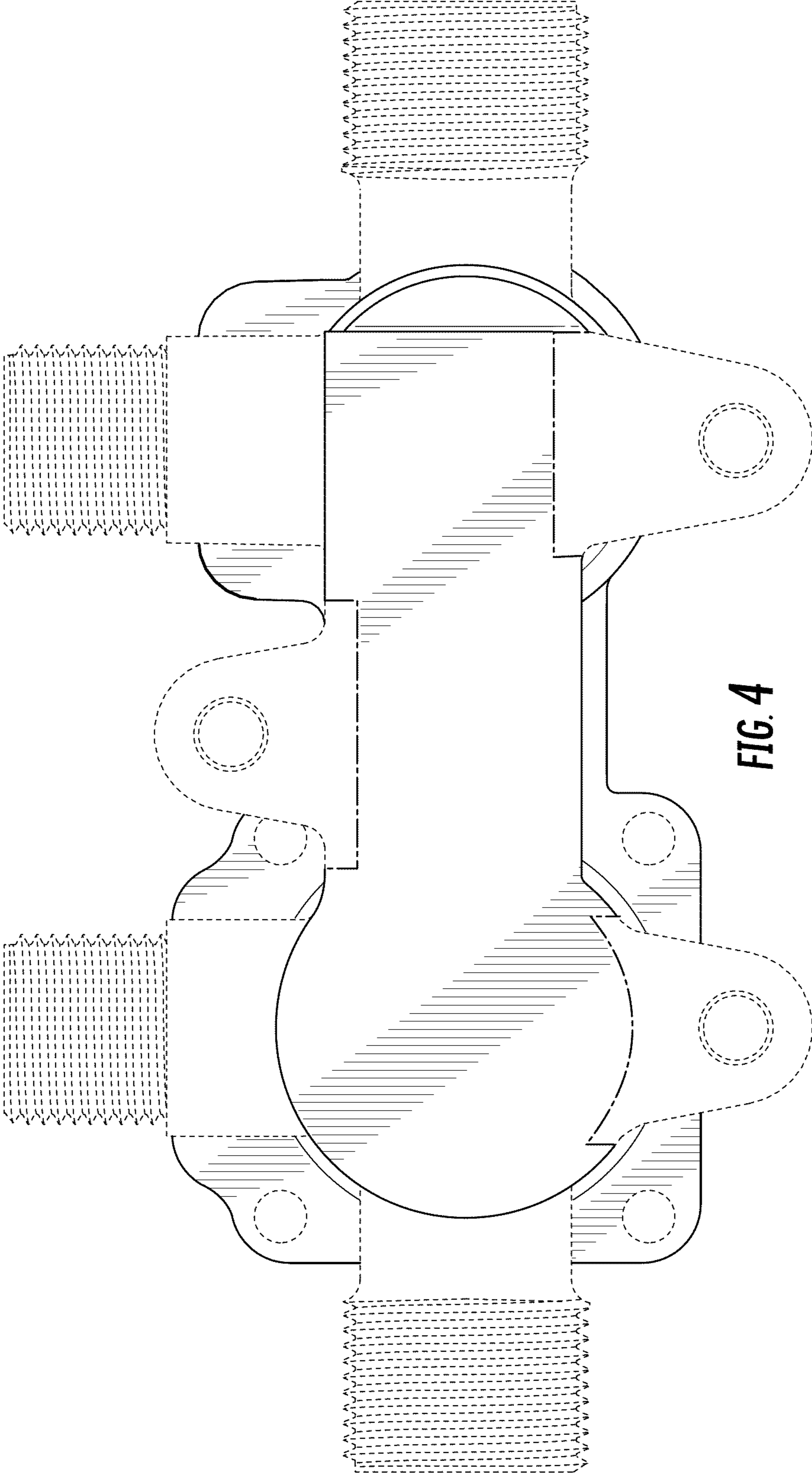


FIG. 3



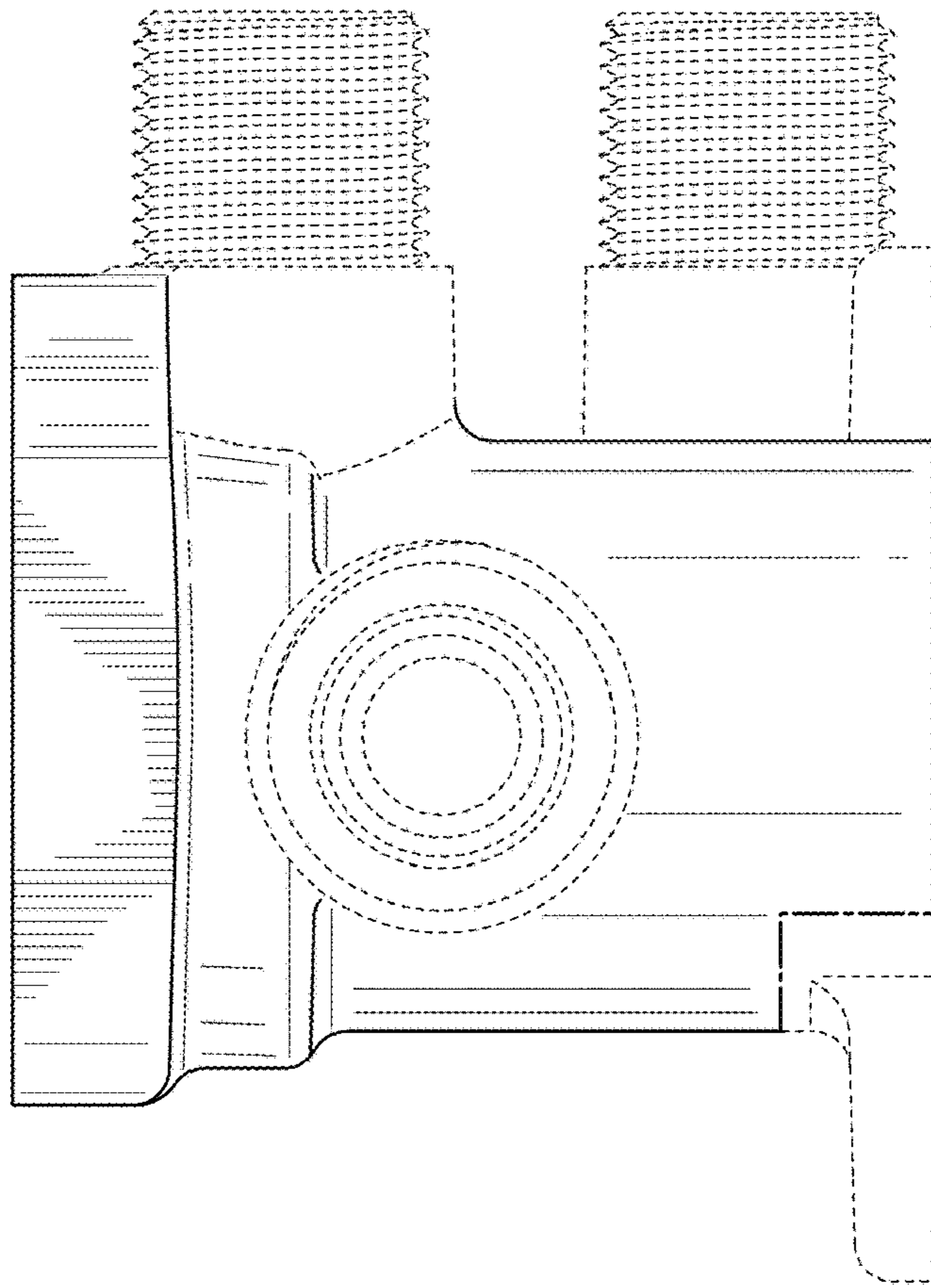


FIG. 5

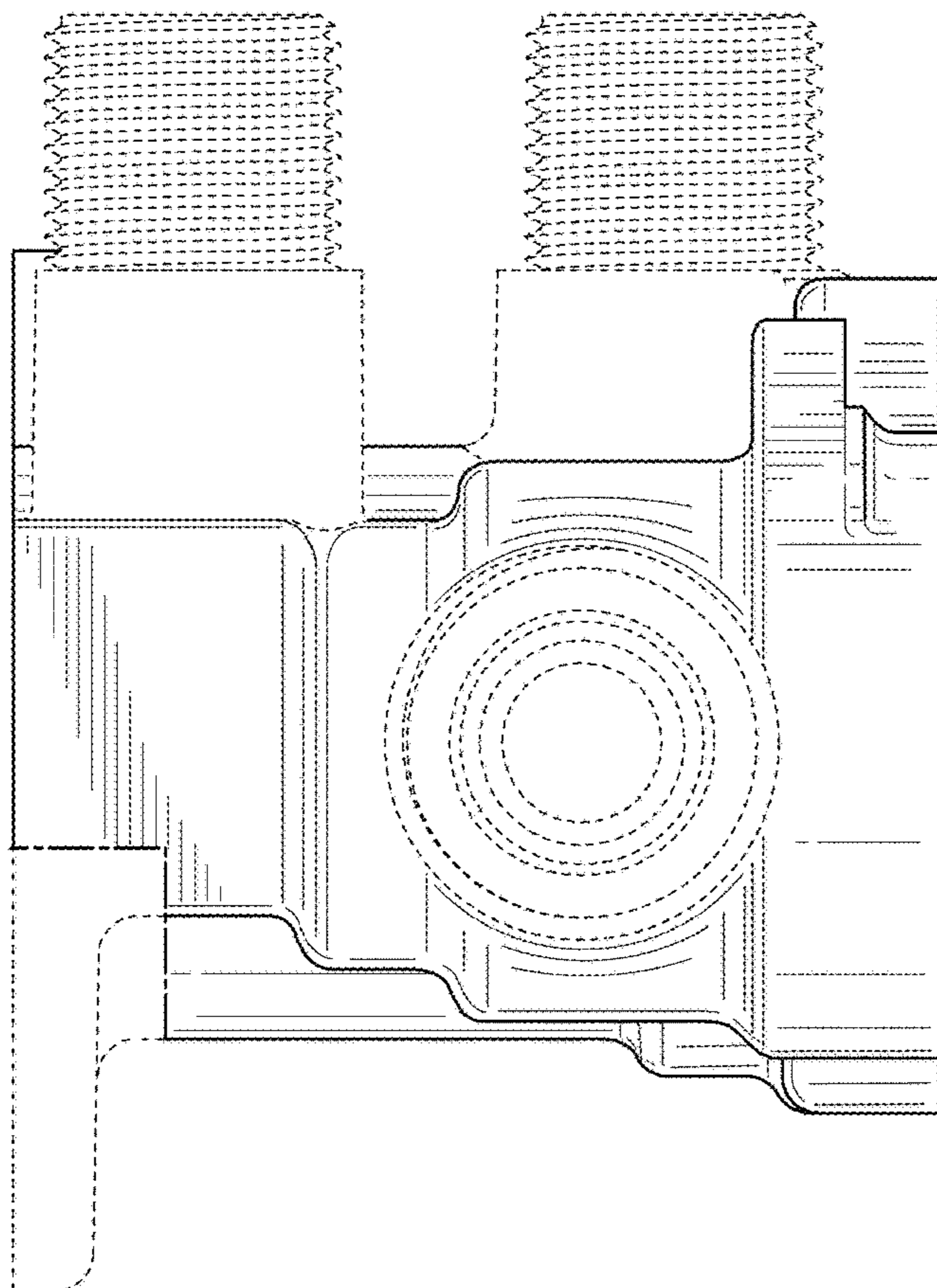


FIG. 6

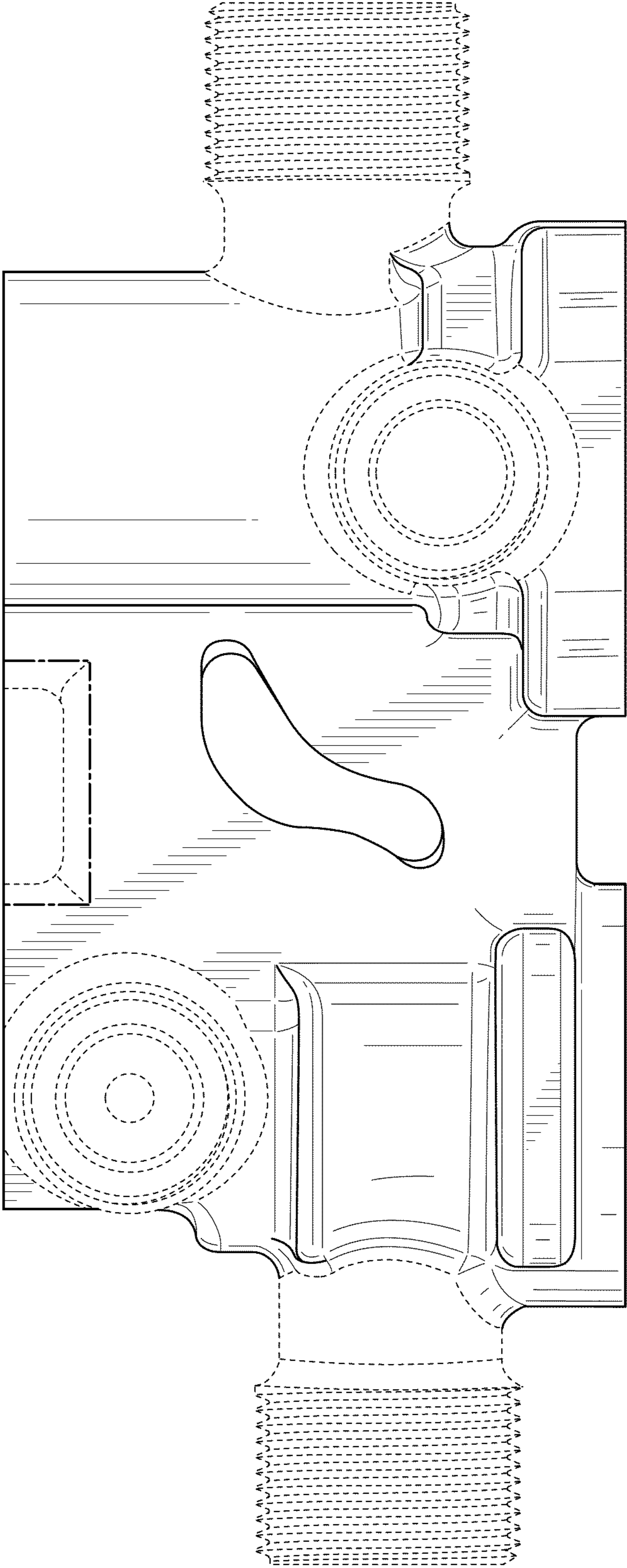


FIG. 7

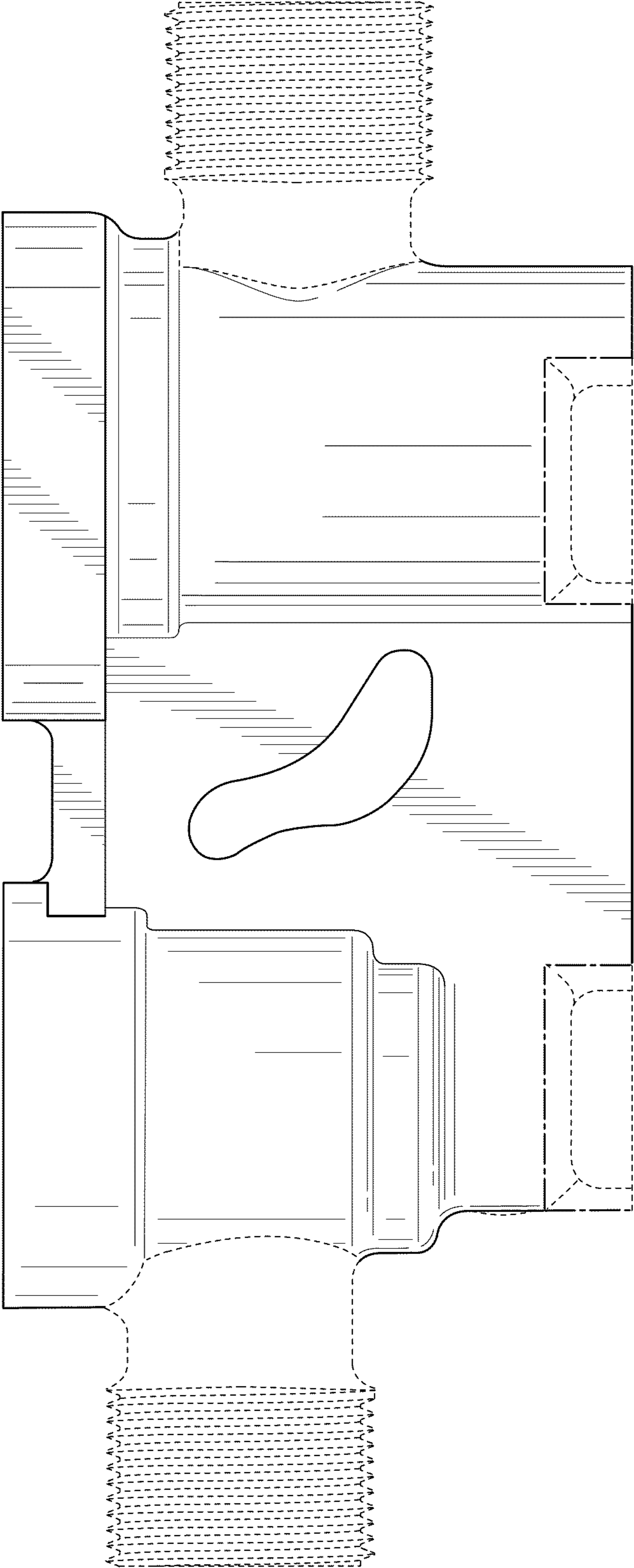


FIG. 8