



US00D886235S

(12) **United States Design Patent** (10) **Patent No.:** **US D886,235 S**
Schoenherr et al. (45) **Date of Patent:** **** Jun. 2, 2020**

(54) **SHOWERHEAD** D681,781 S * 5/2013 Cutler D23/229
D707,328 S * 6/2014 Schoenherr D23/213
(71) Applicant: **Hansgrohe SE**, Schiltach (DE) D736,348 S * 8/2015 Tan D23/213
D751,175 S * 3/2016 Schoenherr D23/213
(72) Inventors: **Tom Schoenherr**, Stuttgart (DE);
Matthias Oesterle, Winterbach (DE) D751,176 S * 3/2016 Schoenherr D23/213

FOREIGN PATENT DOCUMENTS

(73) Assignee: **Hansgrohe SE**, Schiltach (DE) EM 005291259-0007 7/2018
EM 005652567-0003 9/2018
(**) Term: **15 Years**

OTHER PUBLICATIONS

(21) Appl. No.: **29/693,231**

(22) Filed: **May 31, 2019**

(30) **Foreign Application Priority Data**

Dec. 4, 2018 (EM) 005843083-0006

(51) **LOC (12) Cl.** **23-01**

(52) **U.S. Cl.**
USPC **D23/213; D23/223**

(58) **Field of Classification Search**
USPC D23/213, 214, 215, 223, 224, 226, 229,
D23/230

CPC A61H 9/0021; A61H 33/00; B05B 1/00;
B05B 1/14; B05B 1/185; B05B 1/08;
B05B 1/02; B05B 1/26; B05B 12/002;
B05B 1/18; B05B 9/01

See application file for complete search history.

(56) **References Cited**

U.S. PATENT DOCUMENTS

D475,433 S * 6/2003 Citterio D23/213
D500,549 S * 1/2005 Blomstrom D23/229
D500,839 S * 1/2005 Blomstrom D23/229
D501,242 S * 1/2005 Blomstrom D23/229
D540,427 S * 4/2007 Bouroullec D23/213
D556,855 S * 12/2007 Mullenmeister D23/213
D587,339 S * 2/2009 Schoenherr D23/213
D639,385 S * 6/2011 Flowers D23/213
D674,465 S * 1/2013 Flowers D23/229
D674,466 S * 1/2013 Flowers D23/229

https://www.amazon.com/Hansgrohe-26232000-Rainfinity-Overhead-connector/dp/B07TH2GBG1/ref=sr_1_177?crd=2TR1V8T2OOZV&dchild=1&keywords=hansgrohe%2Bshower%2Bhead&qid=1586380063&srefix=hans%2Caps%2C184&sr=8-177&th=1 (Year: 2019).*

* cited by examiner

Primary Examiner — Manprett S Matharu

Assistant Examiner — Keith J Wilson

(74) *Attorney, Agent, or Firm* — Lora J. Graentzdoerffer

(57) **CLAIM**

The ornamental design for a showerhead, as shown and described.

DESCRIPTION

FIG. 1 is a perspective view of a showerhead showing our design;

FIG. 2 is a front elevation view;

FIG. 3 is a rear elevation view;

FIG. 4 is a side elevation view;

FIG. 5 is a top plan view; and,

FIG. 6 is a bottom plan view.

The broken-line disclosures in the view represents portions of the showerhead in which the claimed design is embodied, but which forms no part of the claimed design.

1 Claim, 6 Drawing Sheets

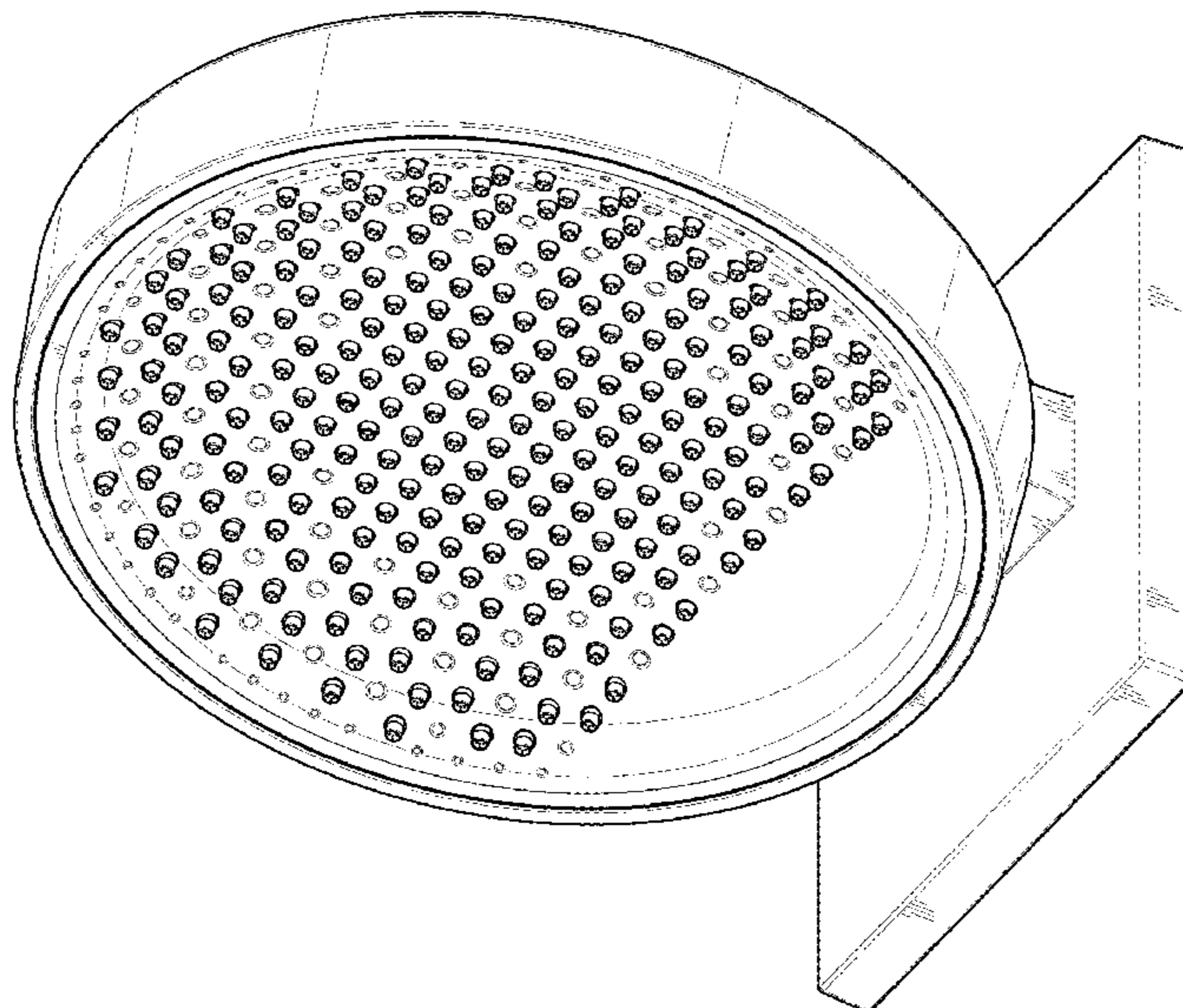


FIG. 1

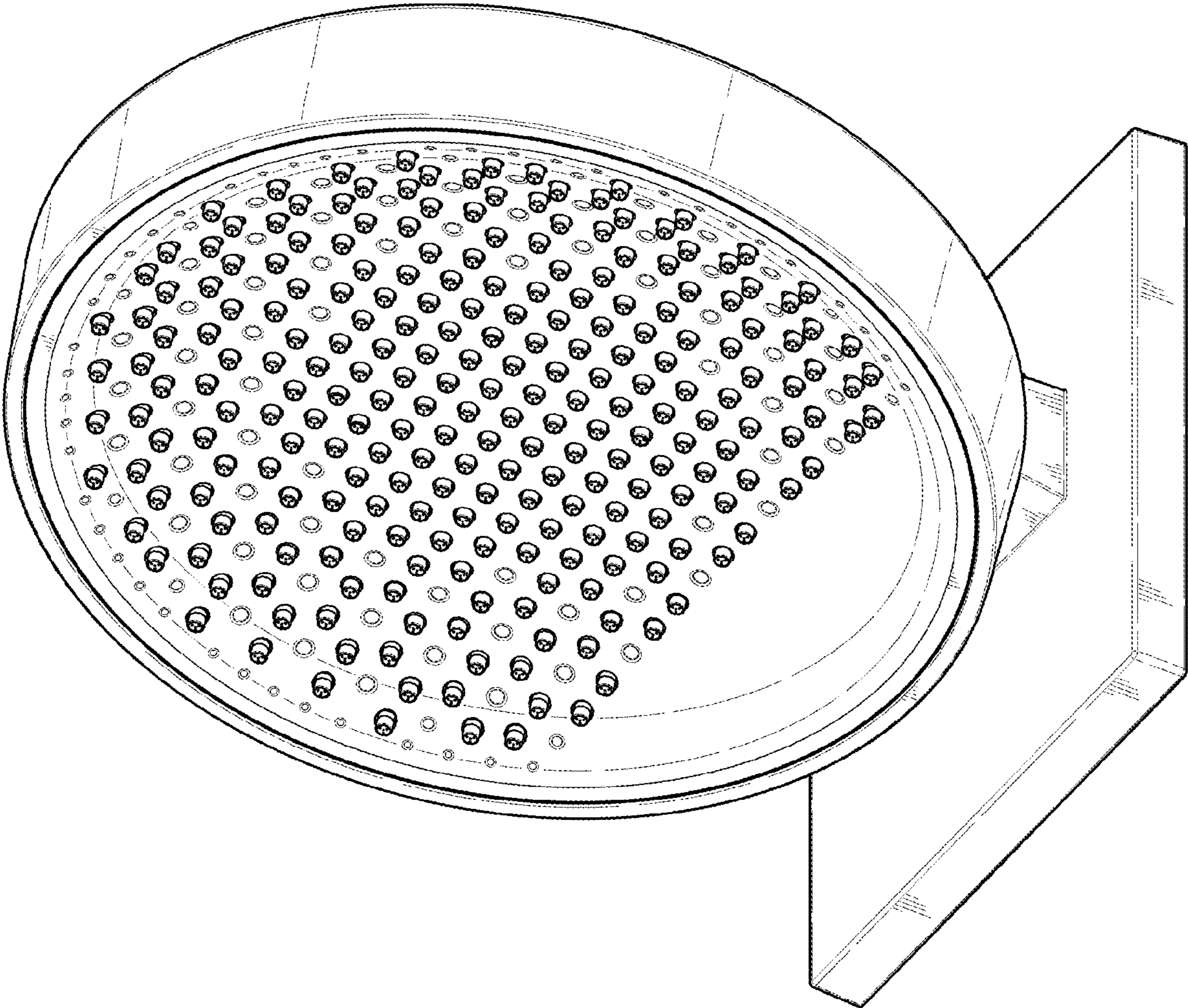


FIG. 2

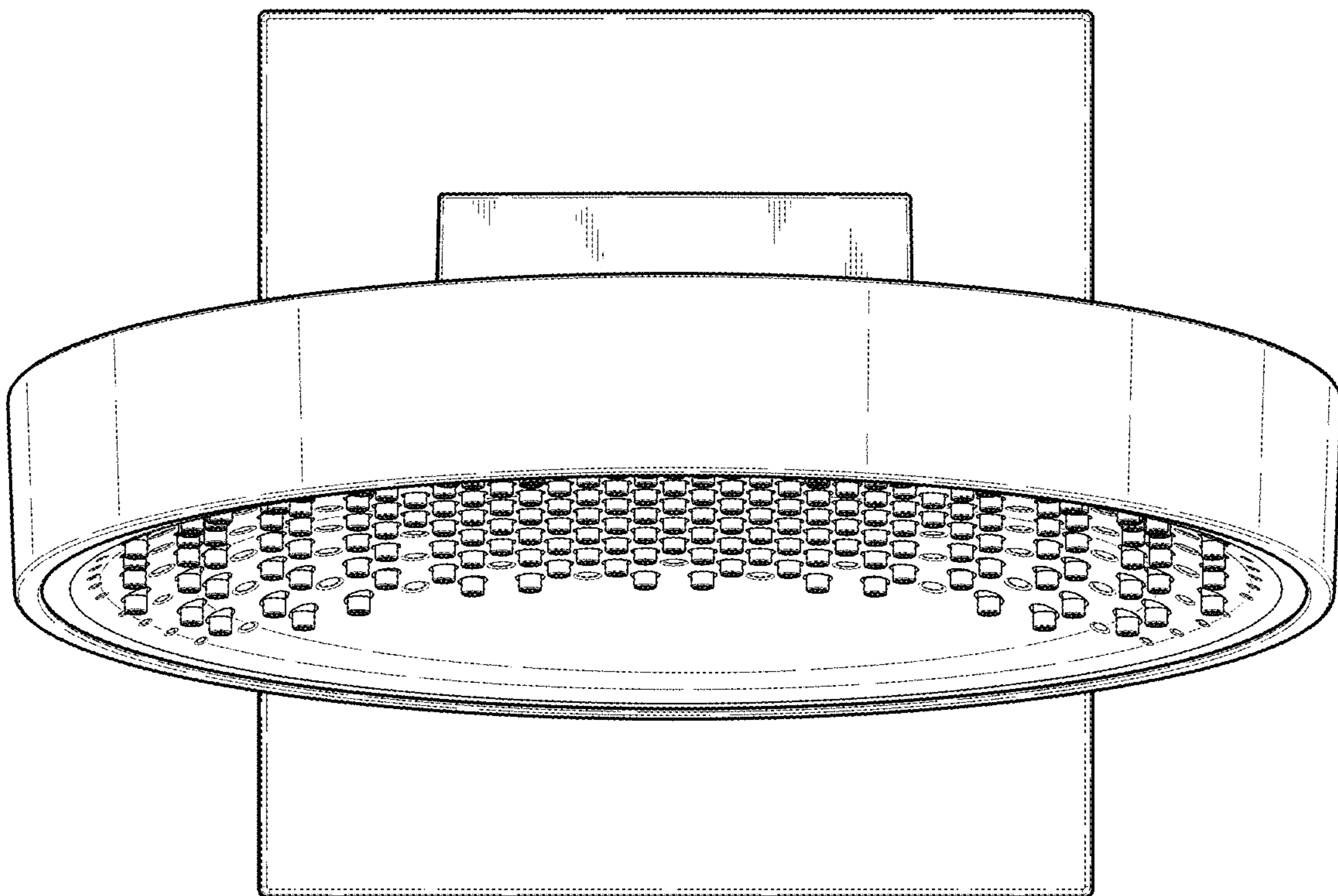


FIG. 3

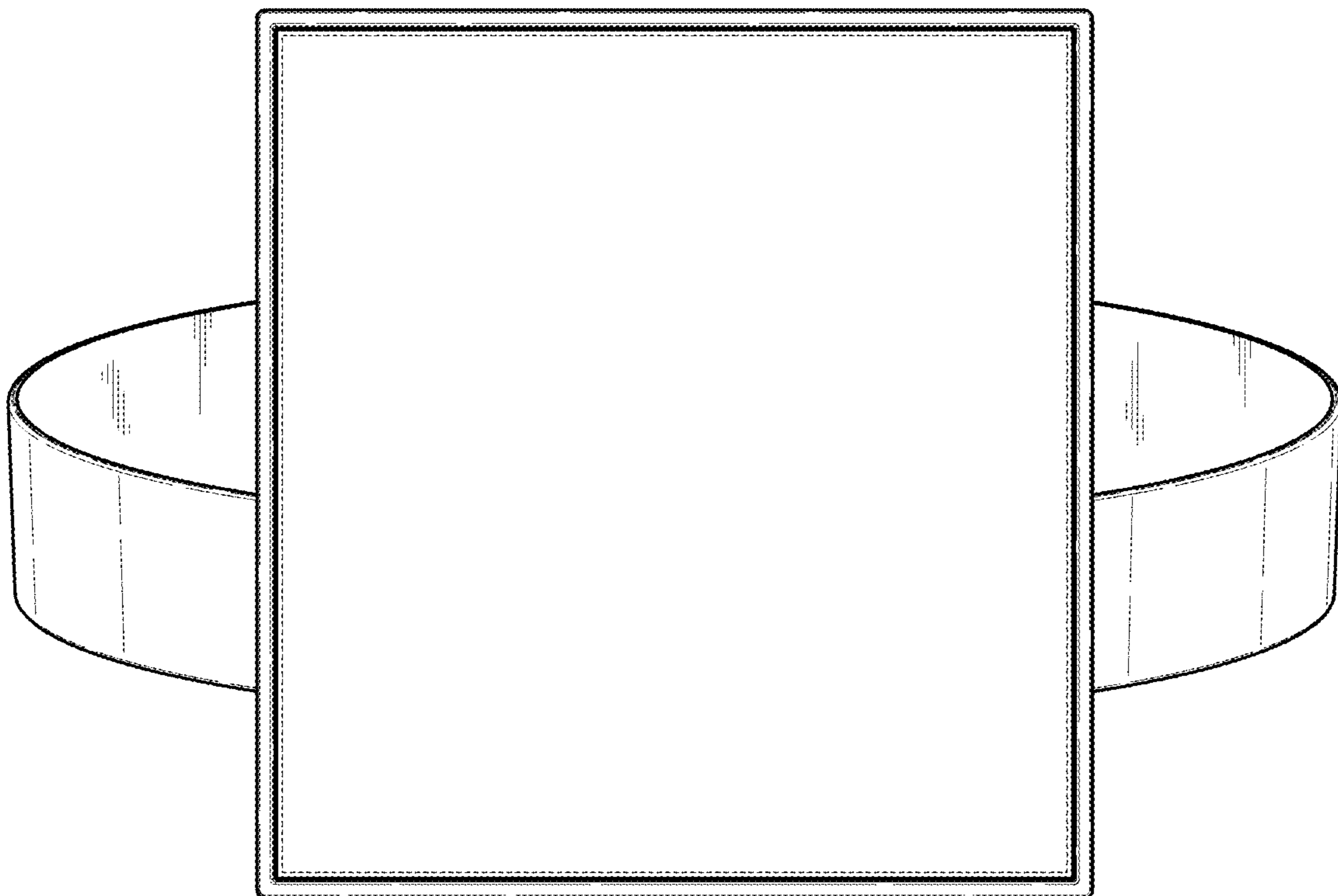


FIG. 4

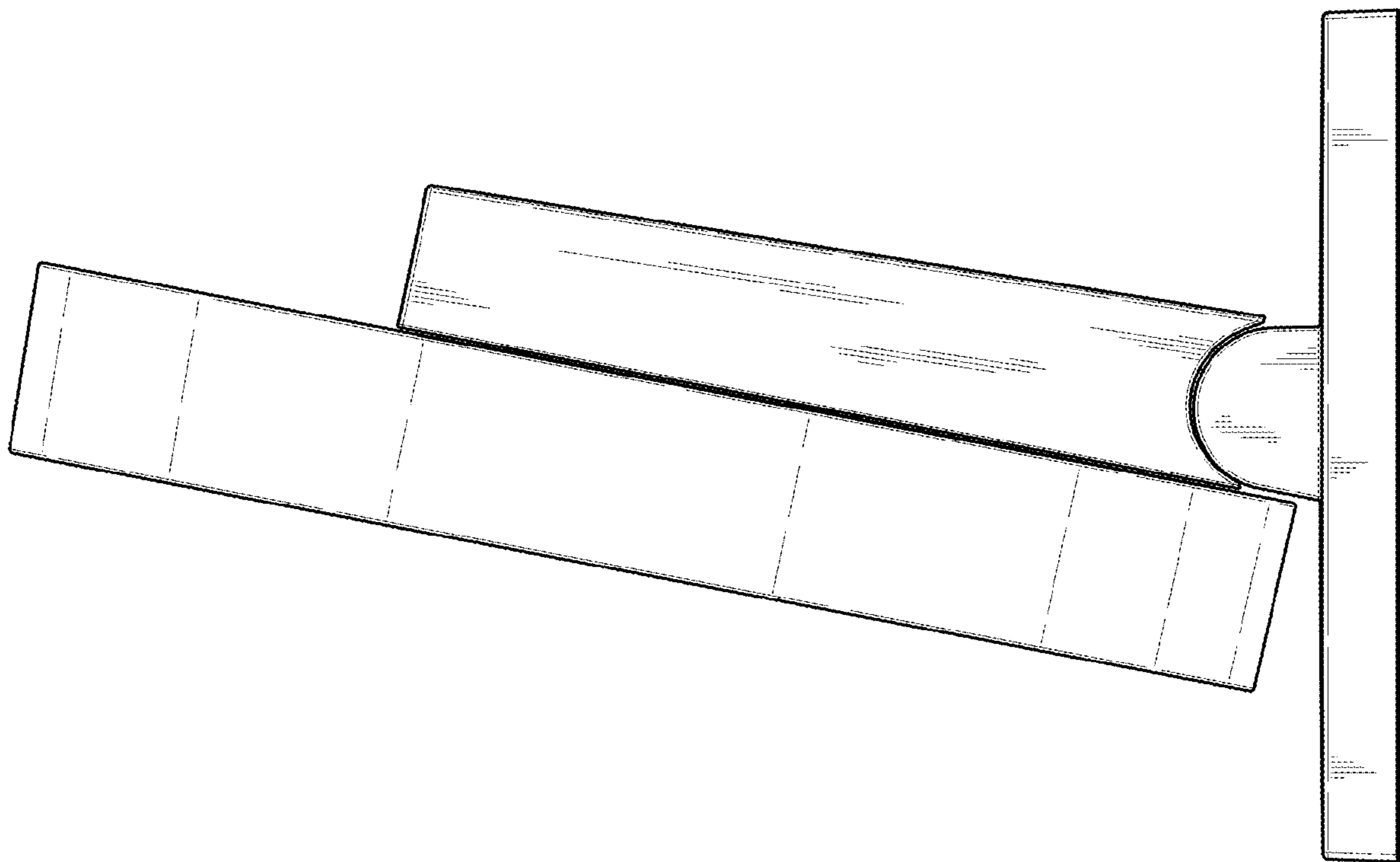


FIG. 5

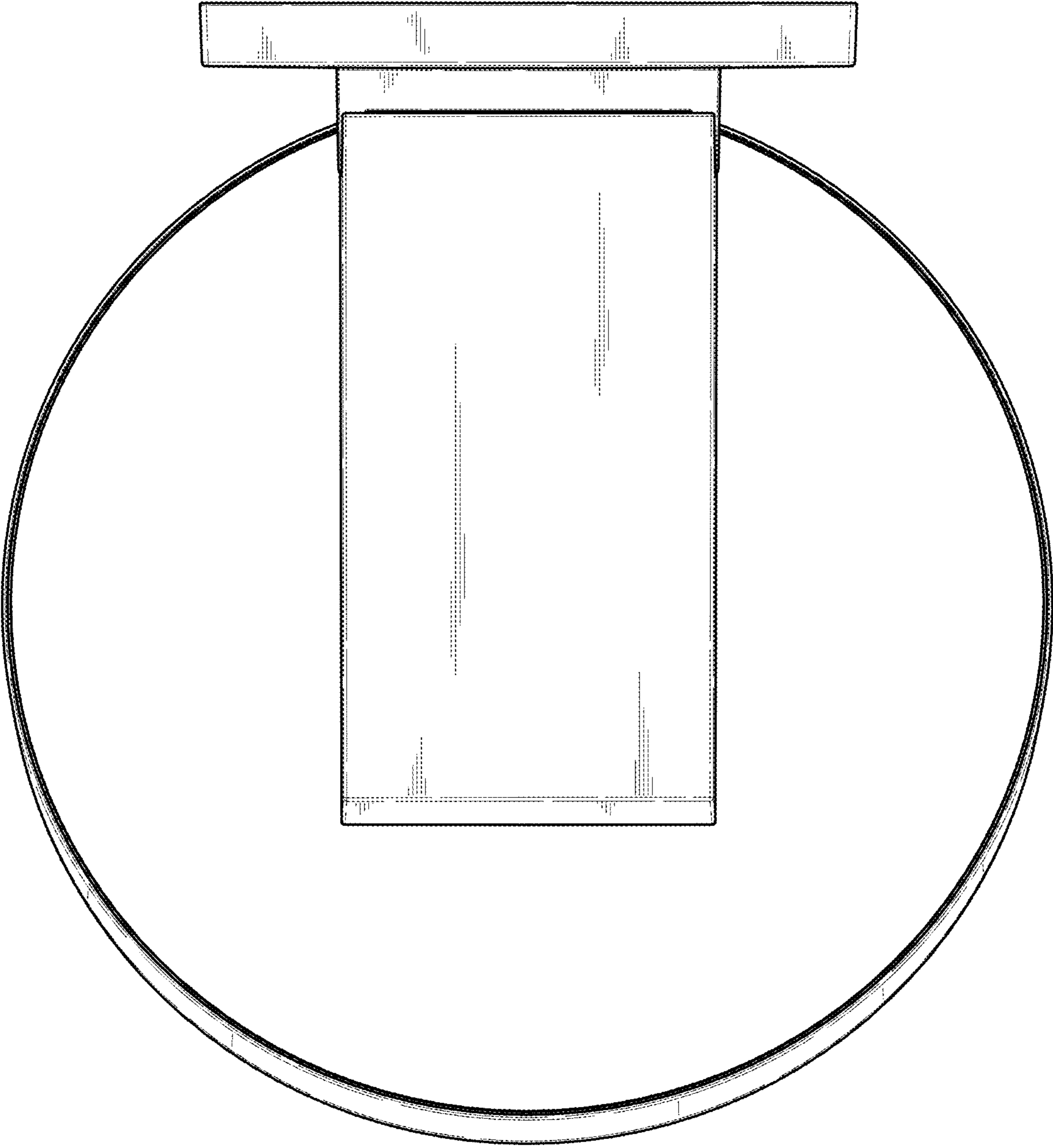


FIG. 6

