



US00D886233S

(12) **United States Design Patent**  
**Daniil**

(10) **Patent No.:** **US D886,233 S**  
(45) **Date of Patent:** **\*\* Jun. 2, 2020**

- (54) **RAT TRAP**
- (71) Applicant: **Daniil Daniil**, Wayne, NJ (US)
- (72) Inventor: **Daniil Daniil**, Wayne, NJ (US)
- (\*\*) Term: **15 Years**
- (21) Appl. No.: **29/724,626**
- (22) Filed: **Feb. 18, 2020**
- (51) **LOC (12) Cl.** ..... **22-06**
- (52) **U.S. Cl.**  
USPC ..... **D22/119**
- (58) **Field of Classification Search**  
USPC ..... D22/119-120; 43/58, 60-61, 65-66, 70,  
43/77, 81, 82, 83, 90, 92, 98, 136-137  
CPC ..... A01M 23/00; A01M 23/24; A01M 23/26;  
A01M 23/30  
See application file for complete search history.

|                |         |            |                           |
|----------------|---------|------------|---------------------------|
| D671,186 S     | 11/2012 | Dobias     |                           |
| 8,490,322 B2 * | 7/2013  | Dobias     | ..... A01M 23/30<br>43/90 |
| D713,489 S     | 9/2014  | Dobias     |                           |
| D722,127 S     | 2/2015  | Huang      |                           |
| D764,010 S *   | 8/2016  | Tian       | ..... D22/119             |
| D770,006 S     | 10/2016 | Tian       |                           |
| D836,747 S *   | 12/2018 | Ambler     | ..... D22/119             |
| D863,493 S     | 10/2019 | Le Laidier |                           |
| D868,201 S     | 11/2019 | Walsh      |                           |

\* cited by examiner

*Primary Examiner* — Catherine R Oliver-Garcia  
(74) *Attorney, Agent, or Firm* — Michael J. Feigin, Esq.;  
Feigin and Fridman LLC

(57) **CLAIM**  
The ornamental design for a rat trap, as shown.

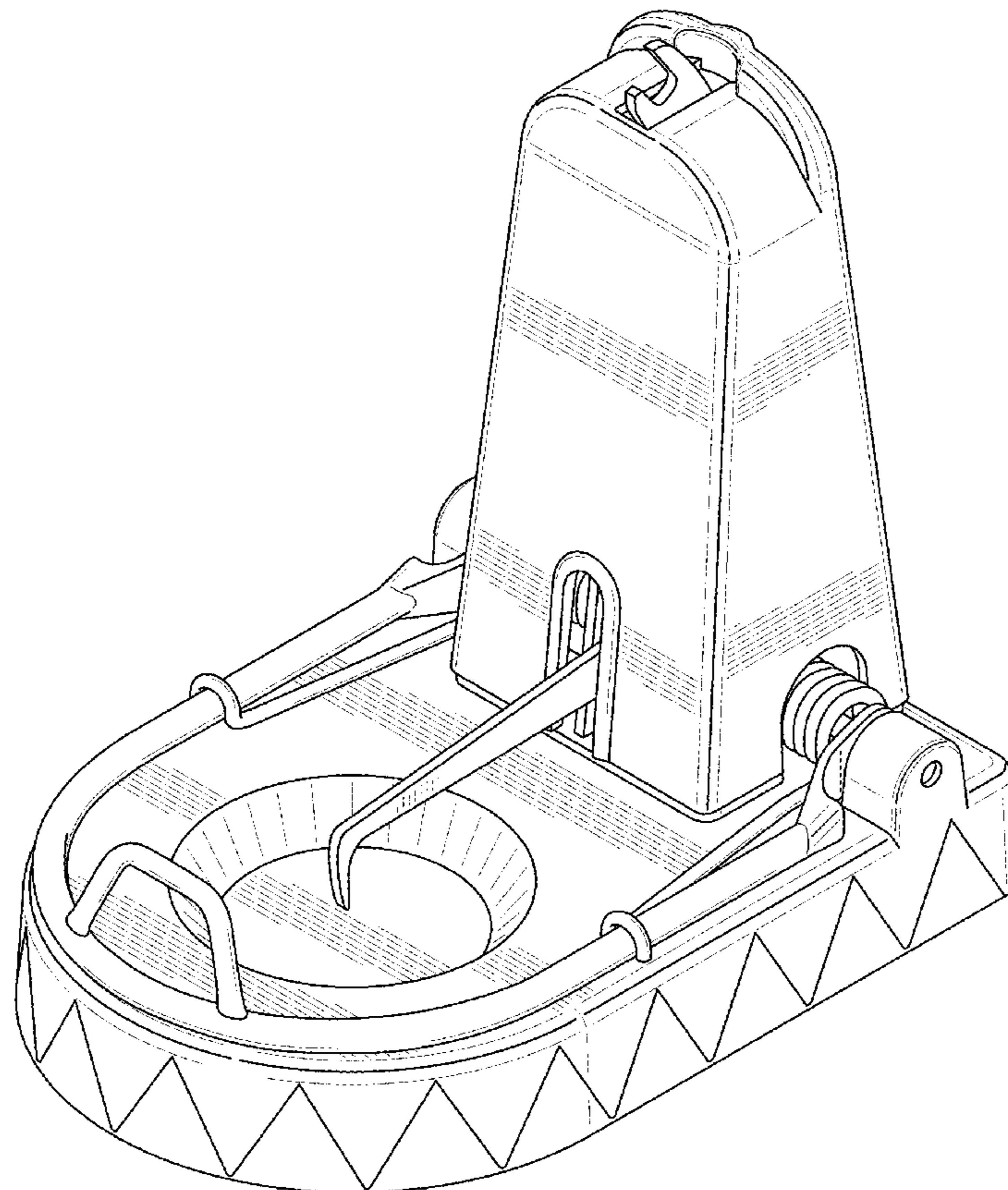
**DESCRIPTION**

FIG. 1 shows a top and side perspective view of a rat trap. FIG. 2 shows a left elevation view thereof the reverse side being a mirror image thereof. FIG. 3 shows a front elevation view thereof. FIG. 4 shows a rear elevation view thereof. FIG. 5 shows a top plan view thereof; and, FIG. 6 shows a bottom plan view thereof. The appearance of any portion of the article between the dotted lines forms no part of the claimed design.

**1 Claim, 6 Drawing Sheets**

(56) **References Cited**  
U.S. PATENT DOCUMENTS

|               |         |           |                           |
|---------------|---------|-----------|---------------------------|
| 432,122 A     | 7/1890  | Donaldson |                           |
| 432,743 A     | 7/1890  | Waddel    |                           |
| 4,665,644 A * | 5/1987  | Vajs      | ..... A01M 23/30<br>43/82 |
| D323,016 S *  | 1/1992  | Vajs      | ..... D22/119             |
| D441,828 S *  | 5/2001  | Leyerle   | ..... D22/119             |
| D532,478 S *  | 11/2006 | Wiesener  | ..... D22/119             |
| D616,958 S *  | 6/2010  | Huang     | ..... D22/119             |



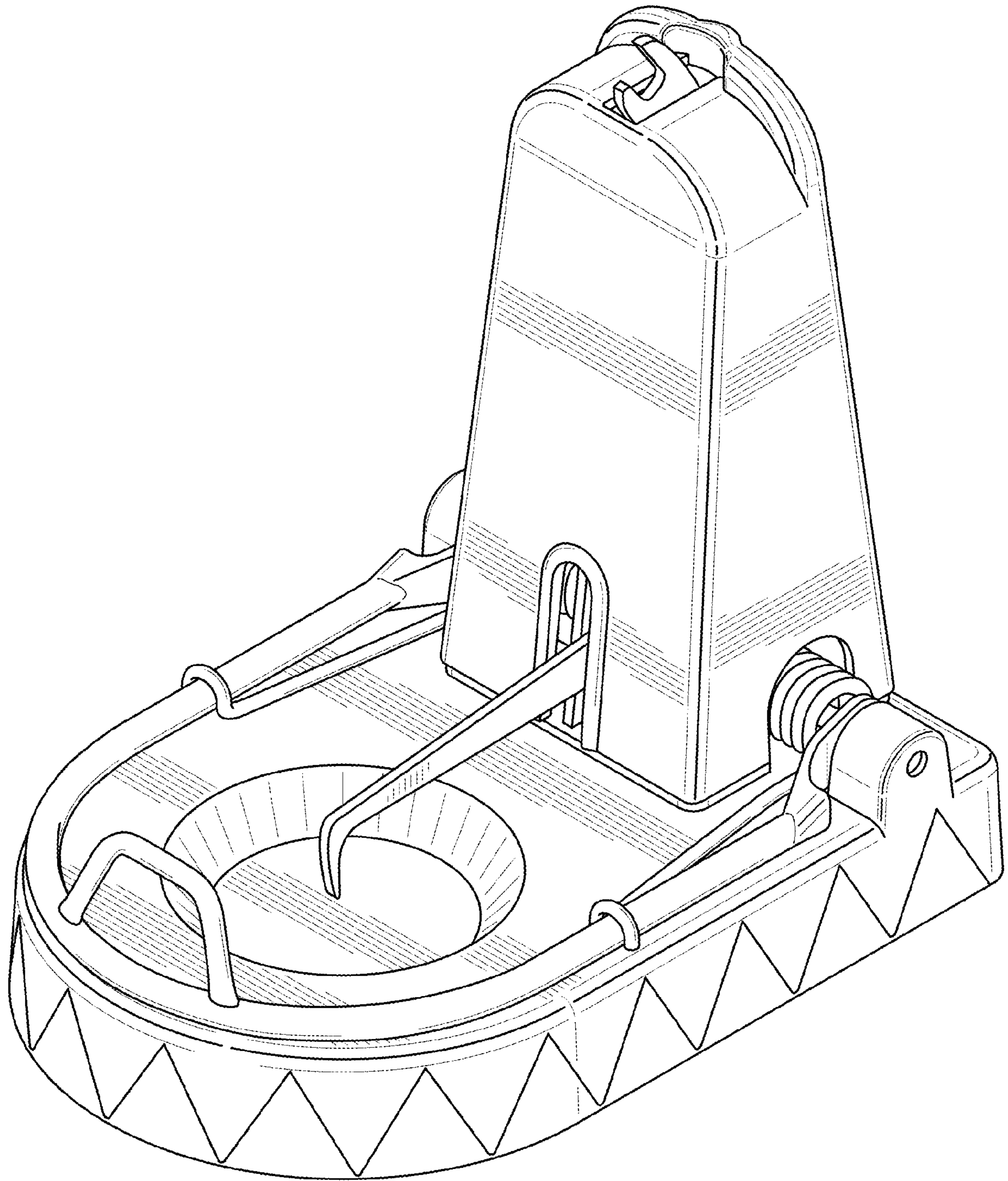


FIG. 1

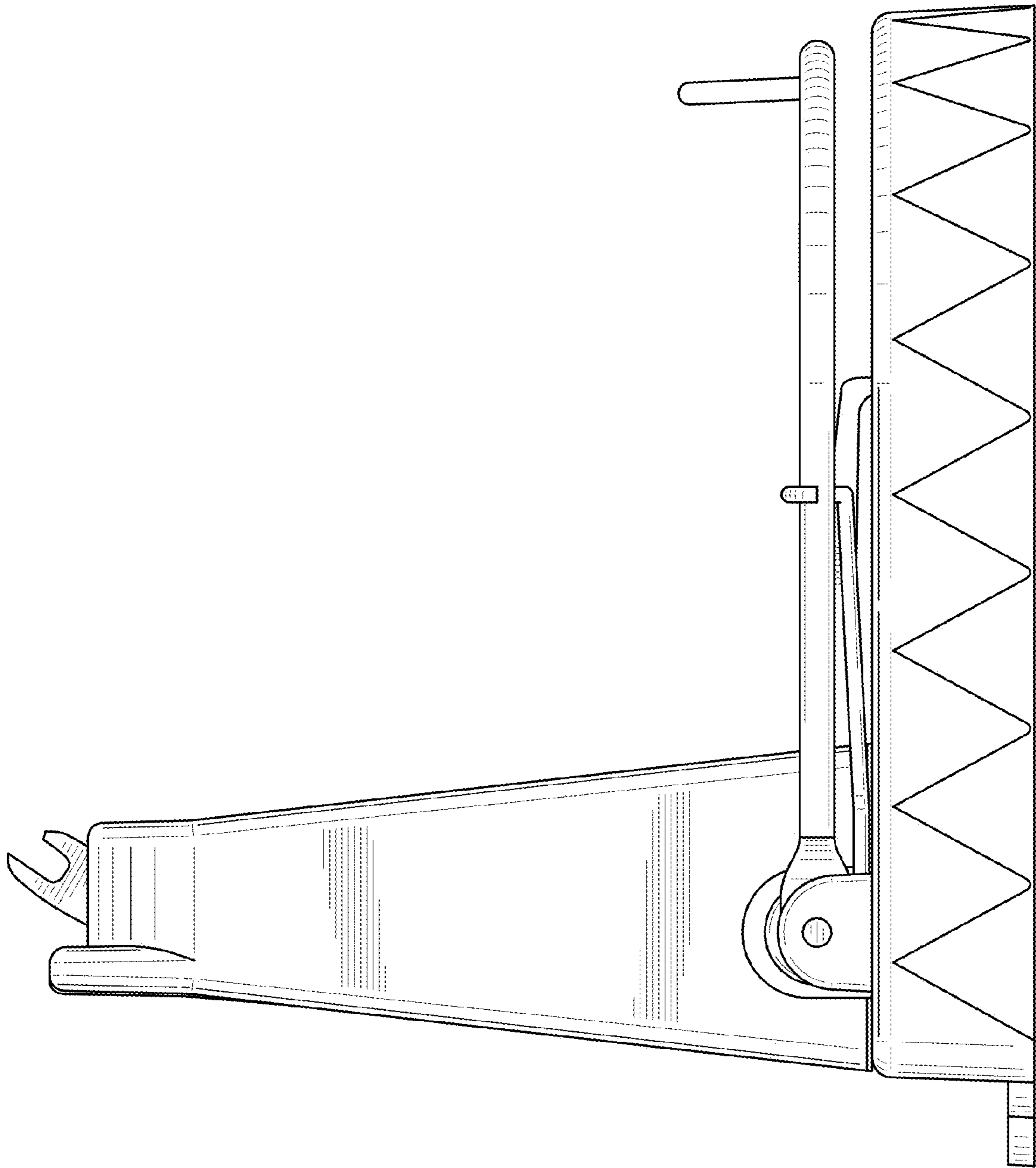


FIG. 2

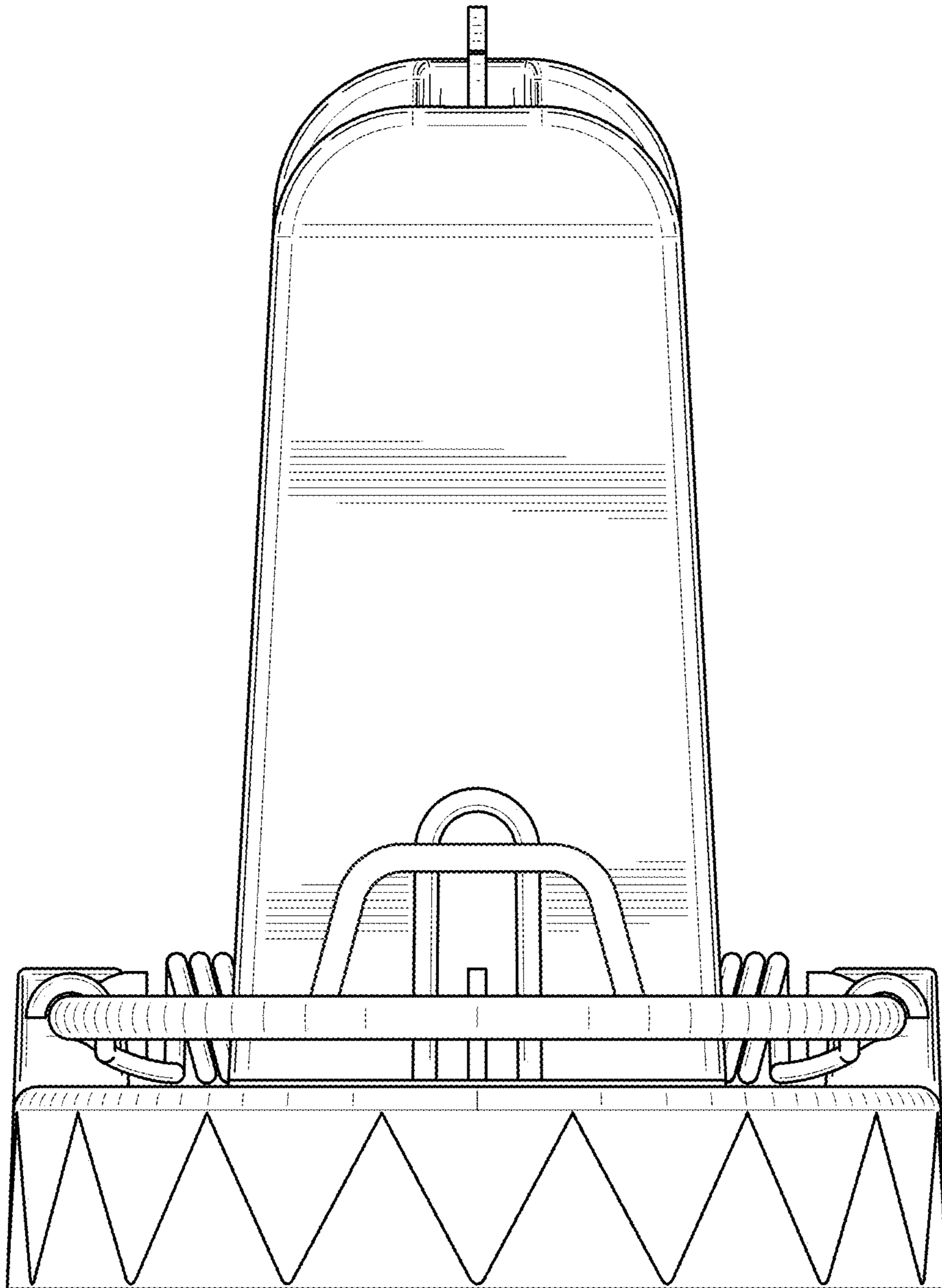


FIG. 3

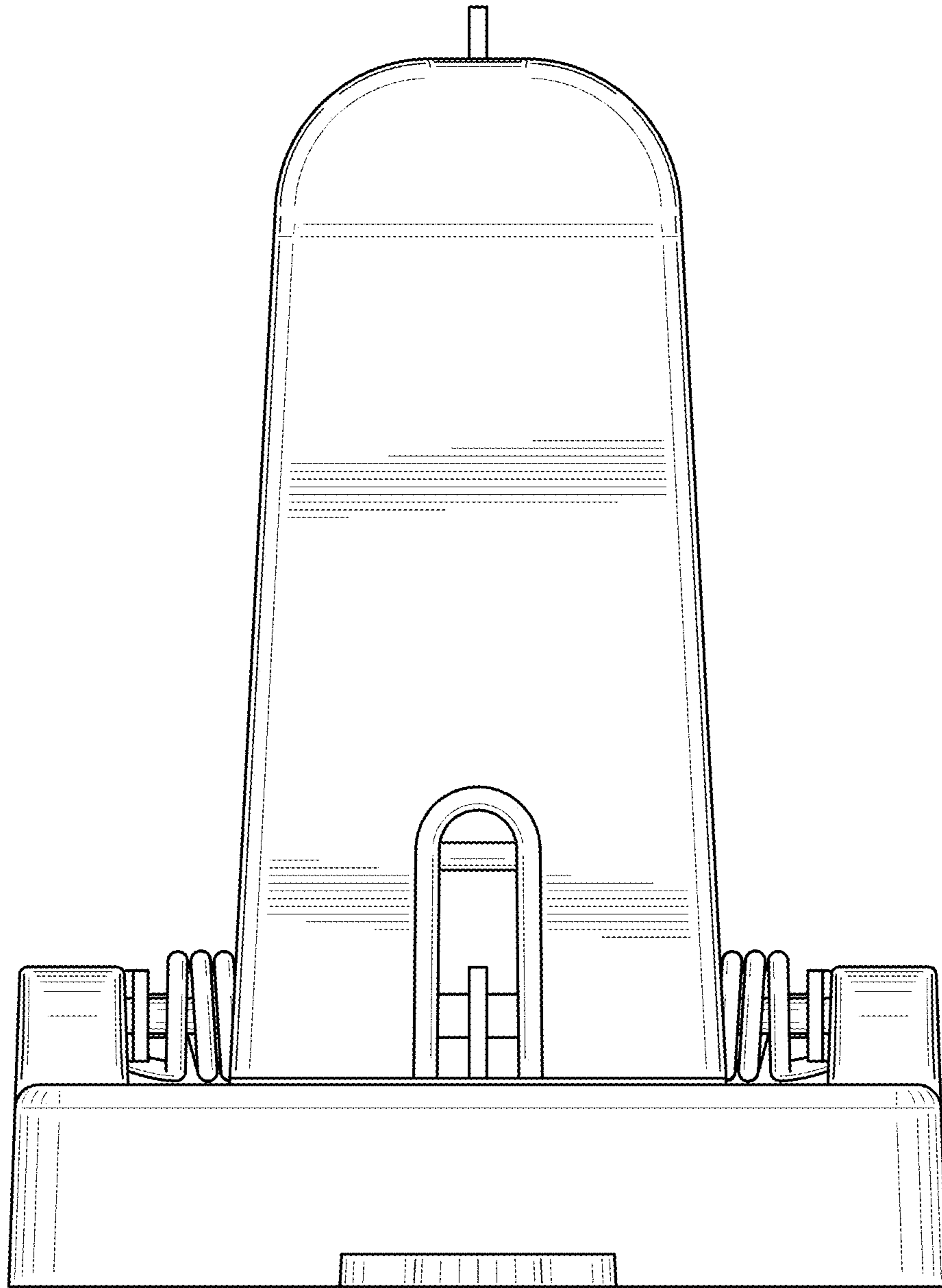


FIG. 4

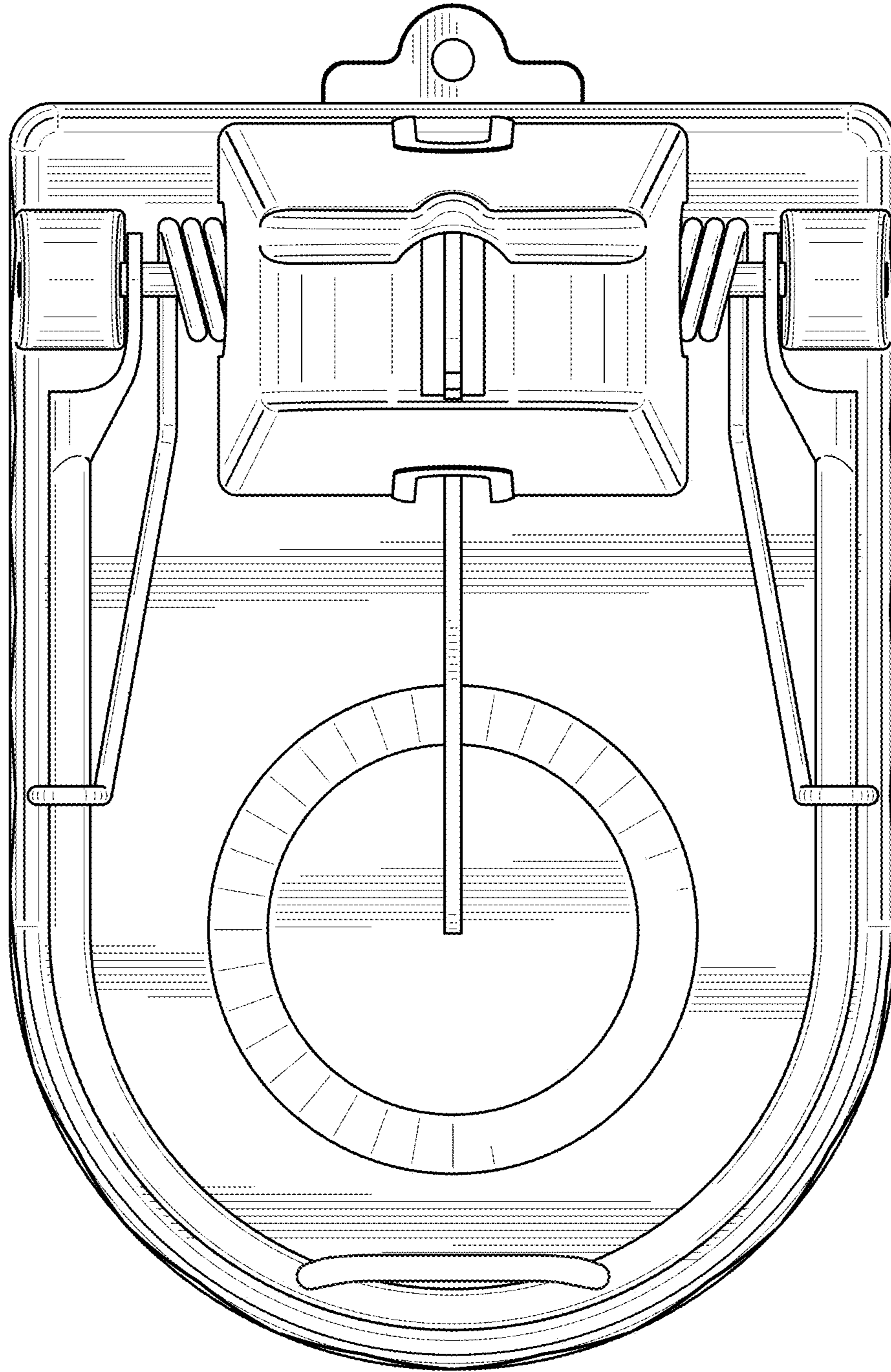


FIG. 5

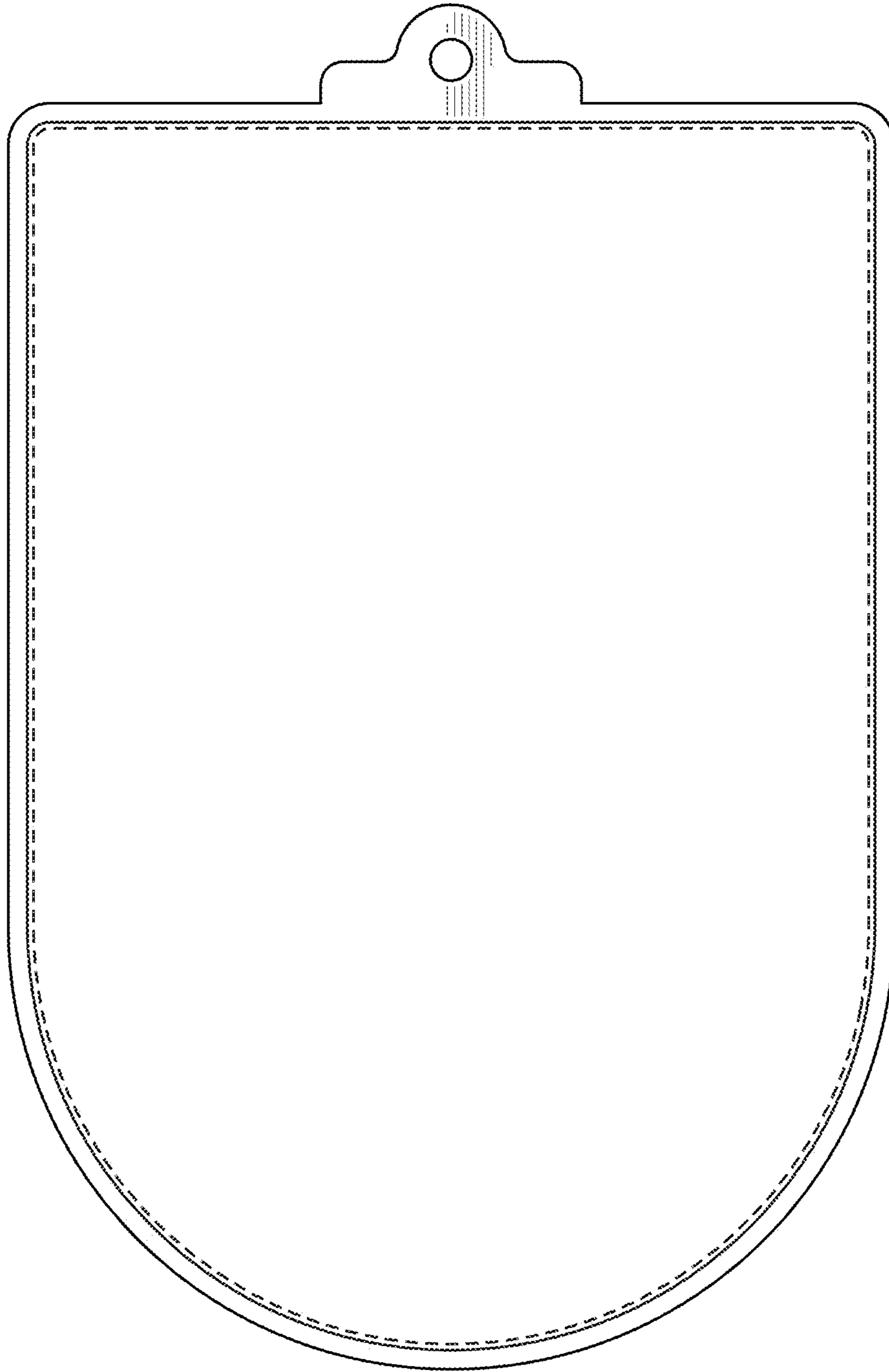


FIG. 6