



US00D886232S

(12) **United States Design Patent**
Patton

(10) **Patent No.:** **US D886,232 S**

(45) **Date of Patent:** **** Jun. 2, 2020**

- (54) **SELF-DEFENSE SPRAY DEVICE**
- (71) Applicant: **DID, INC.**, Boise, ID (US)
- (72) Inventor: **John Madison Patton**, Garden Valley, ID (US)
- (73) Assignee: **DID, INC.**, Boise, ID (US)
- (**) Term: **15 Years**
- (21) Appl. No.: **29/675,997**
- (22) Filed: **Jan. 7, 2019**
- (51) **LOC (12) Cl.** **22-02**
- (52) **U.S. Cl.**
USPC **D22/119**
- (58) **Field of Classification Search**
USPC D22/117; 224/197; 222/78, 153.11, 175,
222/182, 402.11, 533; D10/2, 103.1
CPC .. B65D 83/205; B65D 83/384; B65D 83/388;
G08B 21/02; F41H 9/10
See application file for complete search history.

- 2012/0298695 A1* 11/2012 Garrison B05B 11/0037
222/175
- 2015/0069082 A1* 3/2015 Breeden F41H 9/10
222/1
- 2015/0097004 A1* 4/2015 Caruso B65D 83/384
222/153.11

OTHER PUBLICATIONS

Protected Pepper (Pepper Spray), DamselINDEFENSE.com (Year: 2020).*

* cited by examiner

Primary Examiner — Catherine R Oliver-Garcia
(74) *Attorney, Agent, or Firm* — Nolte Intellectual Property Law Group

(57) **CLAIM**

I claim the ornamental design for a self-defense spray device, as shown and described.

DESCRIPTION

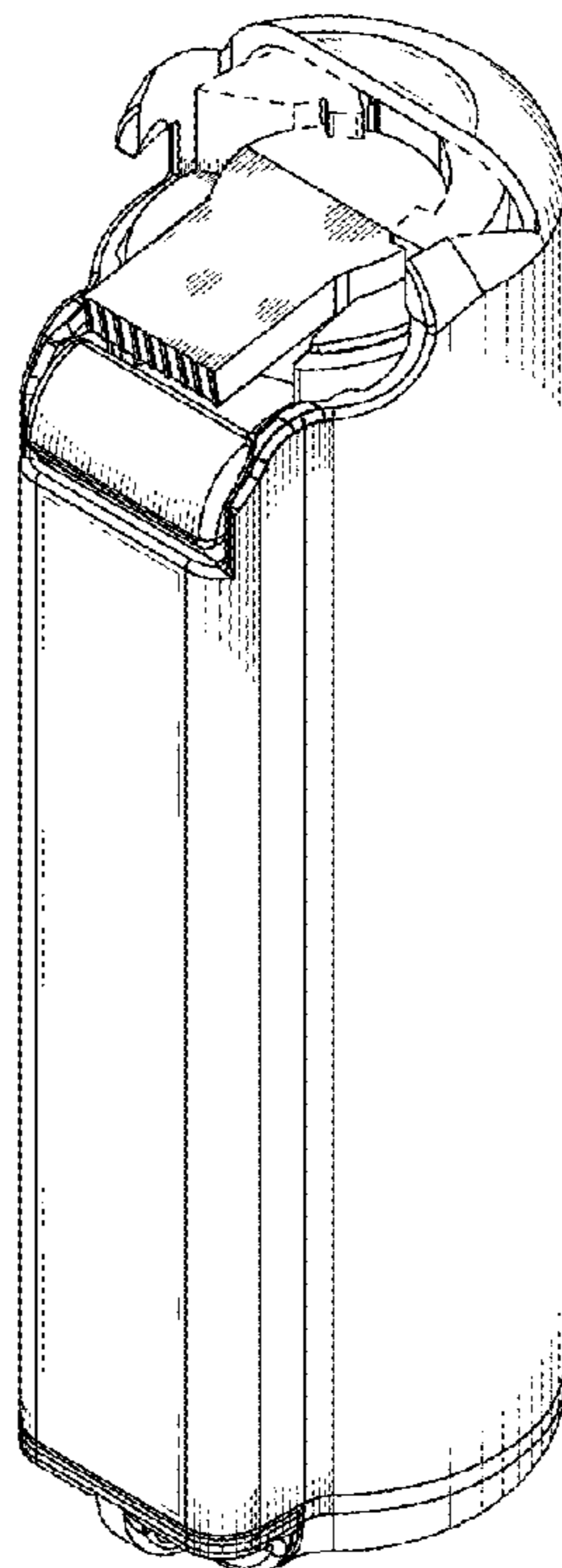
FIG. 1 depicts a rear, top, and right-side perspective view of a self-defense spray device;
FIG. 2 depicts a front elevation view thereof;
FIG. 3 depicts a rear elevation view thereof;
FIG. 4 depicts a left elevation view thereof;
FIG. 5 depicts a right elevation view thereof;
FIG. 6 depicts a bottom plan view thereof; and,
FIG. 7 depicts a top plan view thereof.
The broken lines depict environmental structure and are for illustrative purposes only and form no part of the claimed design.

1 Claim, 4 Drawing Sheets

(56) **References Cited**

U.S. PATENT DOCUMENTS

- 3,450,313 A * 6/1969 Jonas B65D 83/388
222/402.13
- D573,223 S * 7/2008 Kostal D22/117
- D636,050 S * 4/2011 Kaufman D22/117
- D681,768 S * 5/2013 Ross, Jr. D22/117
- 8,499,974 B2 * 8/2013 Bennett B65D 83/205
222/113
- D712,502 S * 9/2014 Olson D22/117
- D838,337 S * 1/2019 Frisk D22/117



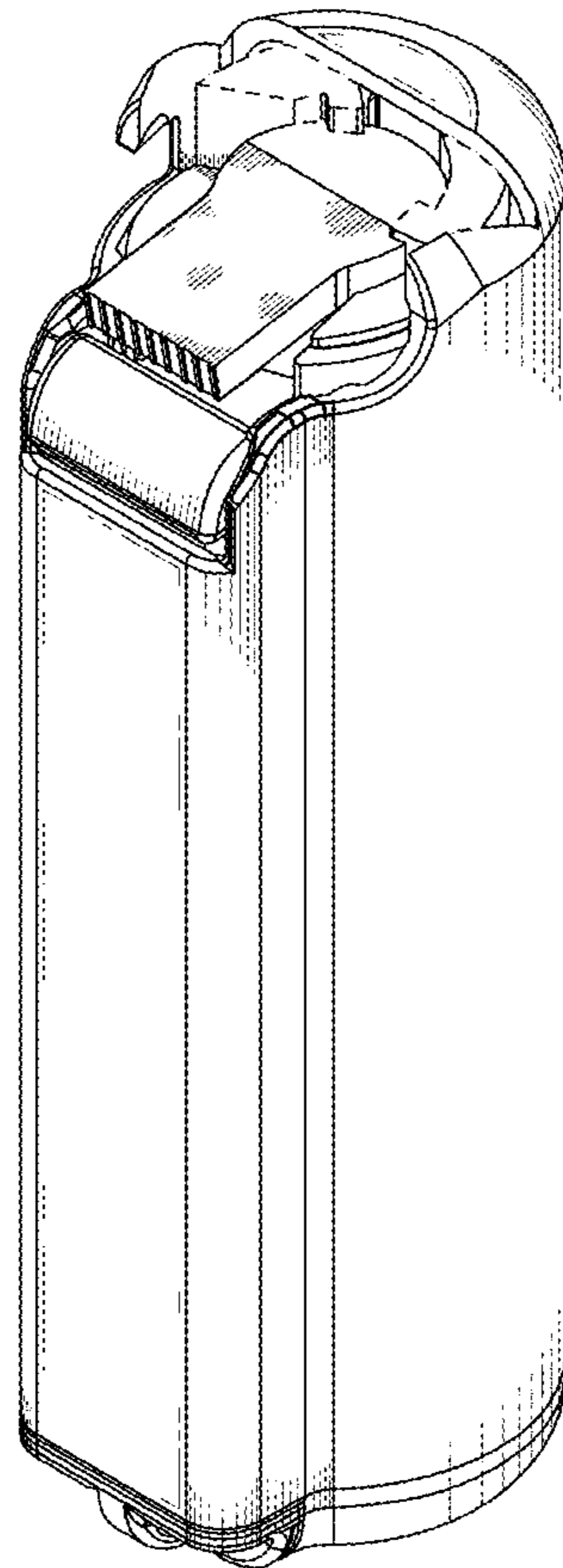


FIG. 1

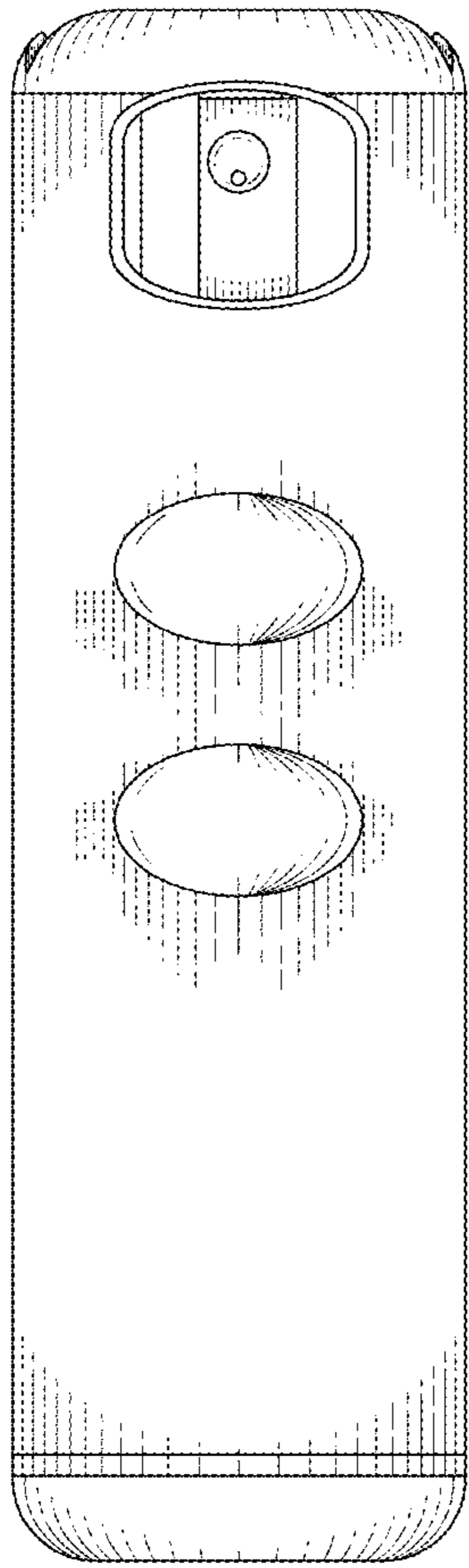


FIG. 2

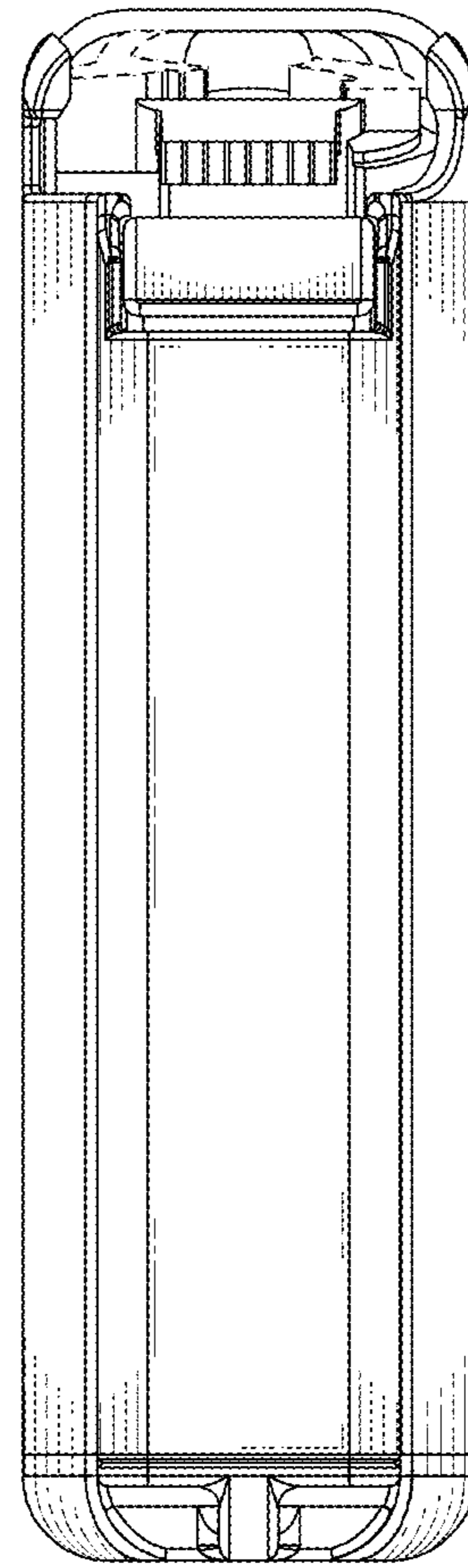


FIG. 3

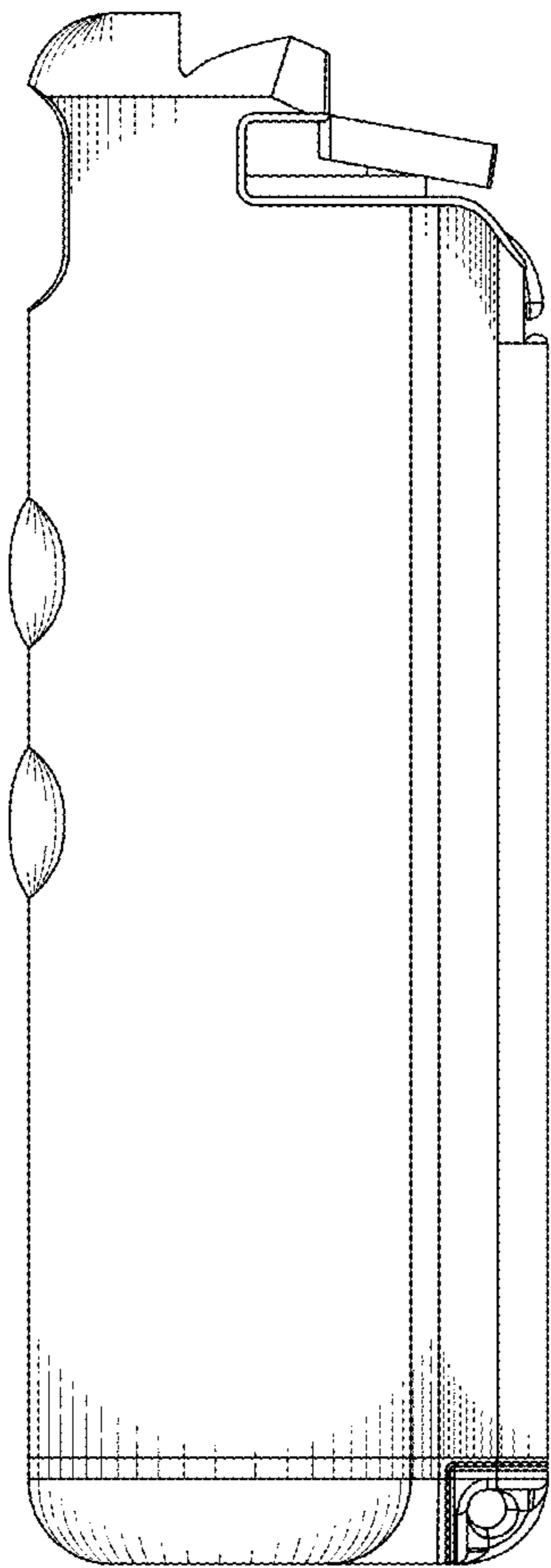


FIG. 4

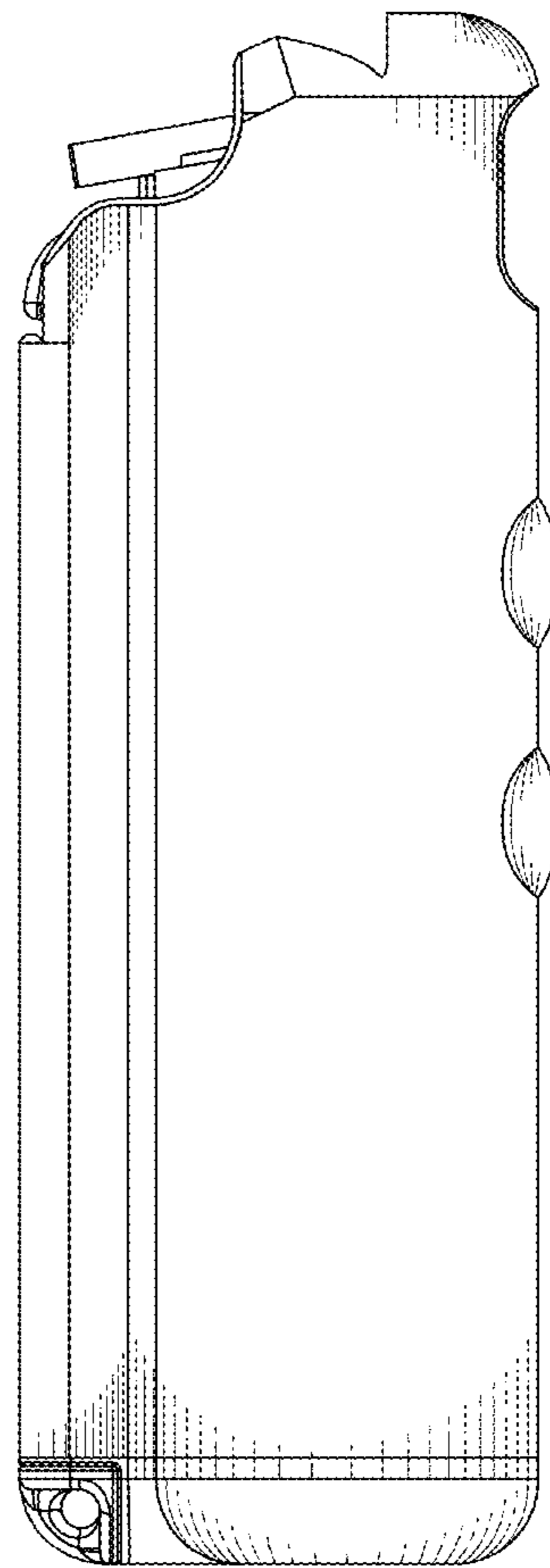


FIG. 5

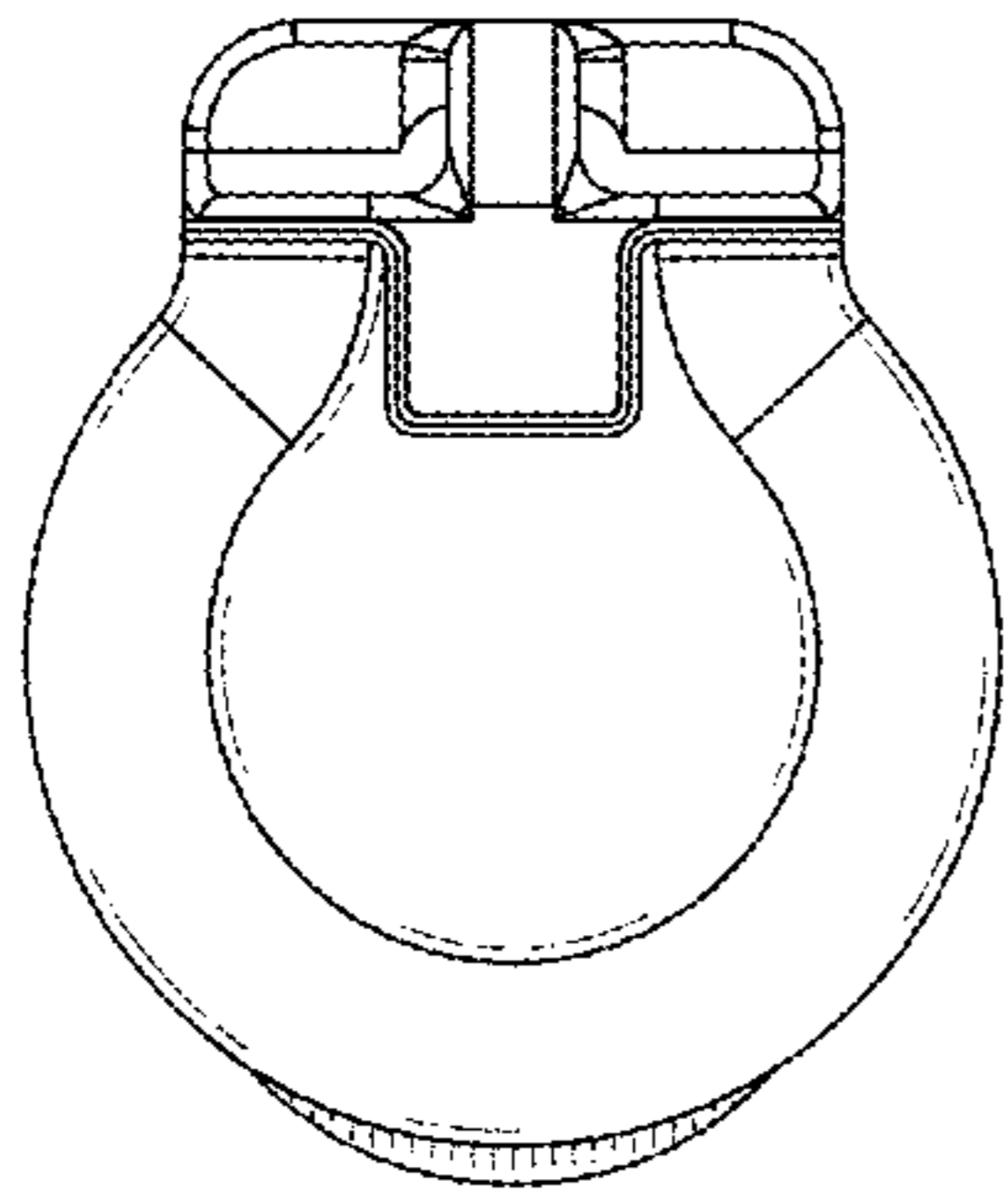


FIG. 6

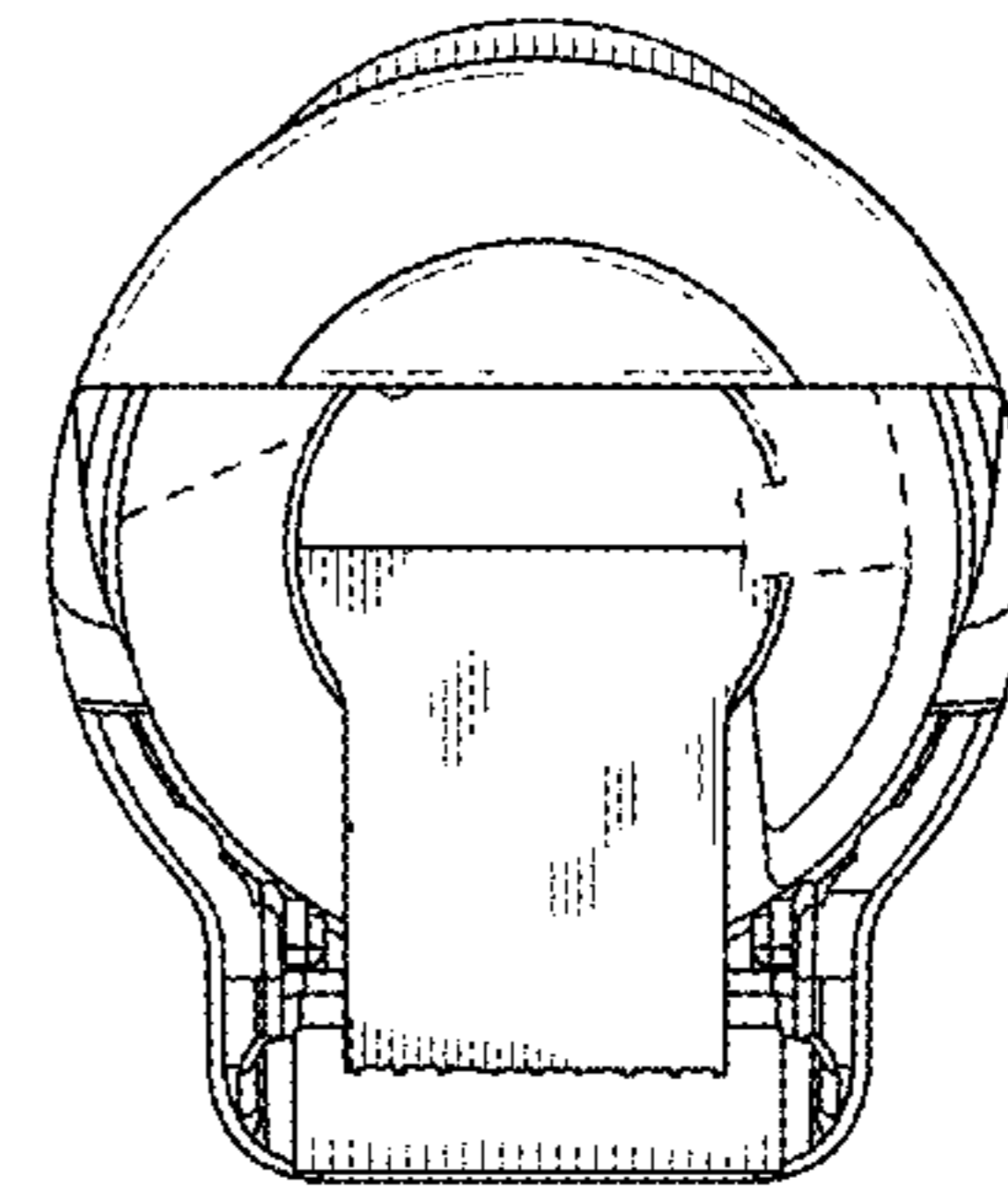


FIG. 7