



US00D886231S

(12) **United States Design Patent** (10) **Patent No.:** **US D886,231 S**
Burrow et al. (45) **Date of Patent:** **** *Jun. 2, 2020**

- (54) **AMMUNITION CARTRIDGE**
- (71) Applicant: **TRUE VELOCITY IP HOLDINGS, LLC**, Garland, TX (US)
- (72) Inventors: **Lonnie Burrow**, Carrollton, TX (US); **Christopher William Overton**, Richardson, TX (US)
- (73) Assignee: **TRUE VELOCITY IP HOLDINGS, LLC**, Garland, TX (US)
- (*) Notice: This patent is subject to a terminal disclaimer.
- (**) Term: **15 Years**
- (21) Appl. No.: **29/630,036**
- (22) Filed: **Dec. 19, 2017**
- (51) **LOC (12) Cl.** **22-02**
- (52) **U.S. Cl.**
USPC **D22/116**
- (58) **Field of Classification Search**
USPC D22/115, 116; D11/143; D7/619.1
CPC F42B 5/26-38; F42B 33/00; F42B 8/14
See application file for complete search history.

905,358 A	12/1908	Peters
957,171 A	5/1910	Loeb
963,911 A	7/1910	Loeble
1,060,817 A	5/1913	Clyne
1,936,905 A	11/1933	Gaidos
1,940,657 A	12/1933	Woodford
2,294,822 A	9/1942	Norman

(Continued)

FOREIGN PATENT DOCUMENTS

CA	2813634 A1	4/2012
DE	16742 C	1/1882

(Continued)

OTHER PUBLICATIONS

YouTube.com—TFB TV, Published on Jul. 23, 2015, [site visited on Mar. 27, 2019], Available on the Internet URL <https://www.youtube.com/watch?v=mCjNkxbHkEE> (Year: 2015).*

(Continued)

Primary Examiner — Karen S Acker
Assistant Examiner — Steven B Reinholdt, Jr.
 (74) *Attorney, Agent, or Firm* — Chainey P. Singleton

(57) **CLAIM**

The ornamental design for an ammunition cartridge, as shown and described.

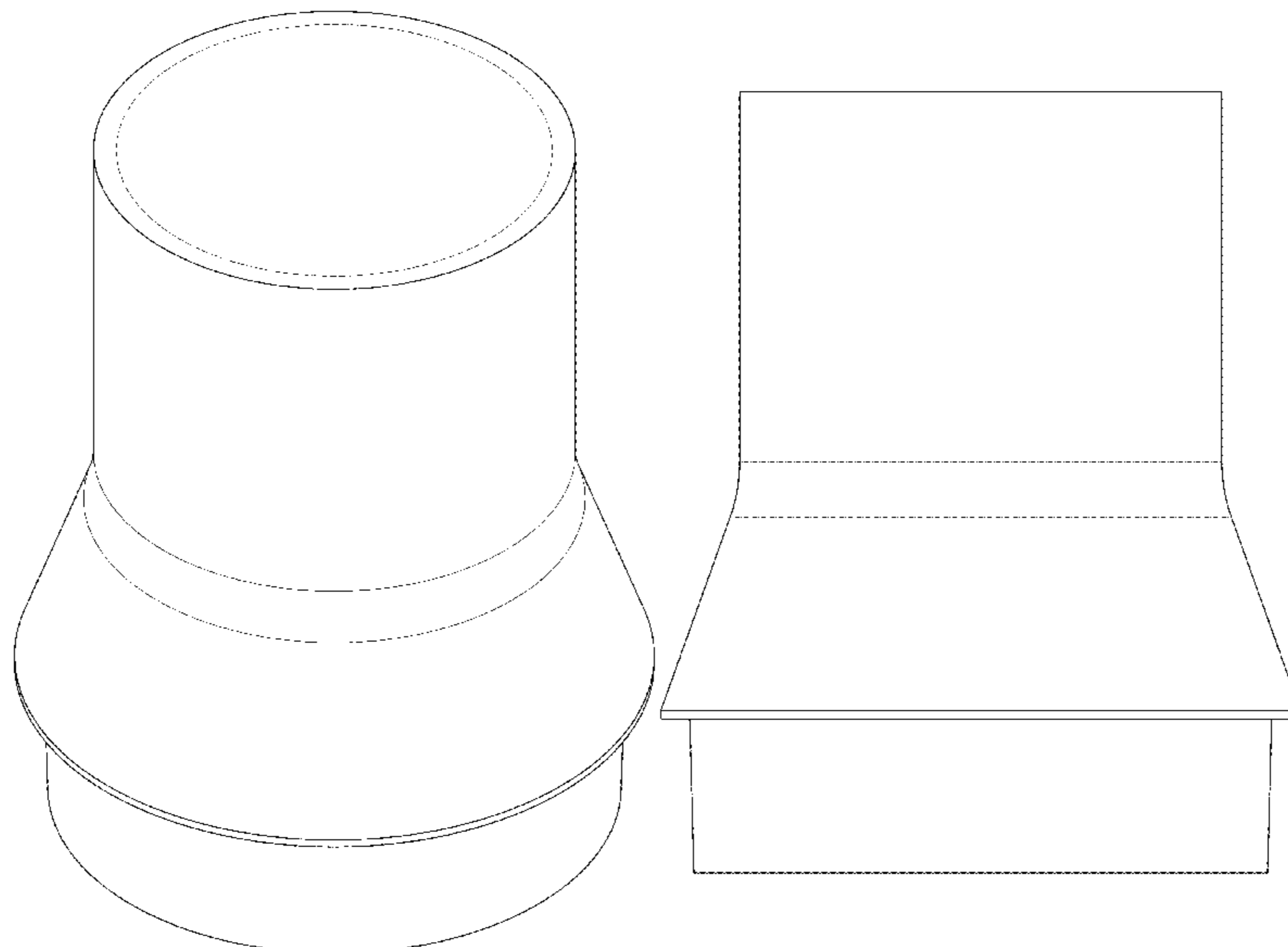
References Cited
U.S. PATENT DOCUMENTS

99,528 A	2/1870	Boyd
113,634 A	4/1871	Crispin
130,679 A	8/1872	Whitmore
159,665 A	2/1875	Gauthey
169,807 A	11/1875	Hart
462,611 A	11/1891	Comte de Sparre
498,856 A	6/1893	Overbaugh
640,856 A	1/1900	Bailey
662,137 A	11/1900	Tellerson
676,000 A	6/1901	Henneberg
865,979 A	9/1907	Bailey
869,046 A	10/1907	Bailey

DESCRIPTION

FIG. 1 is an isometric view of an ammunition cartridge showing our new design.
 FIG. 2 is a top view of the ammunition cartridge of FIG. 1.
 FIG. 3 is a cross sectional view taken from along line 3-3 in FIG. 2; and,
 FIG. 4 is a side view of the ammunition cartridge of FIG. 1.
 The broken lines depict portions of the ammunition cartridge that form no part of the claim.

1 Claim, 4 Drawing Sheets



(56)	References Cited				
	U.S. PATENT DOCUMENTS				
2,465,962 A	3/1949	Allen et al.			
2,654,319 A	10/1953	Roske			
2,823,611 A	2/1958	Thayer			
2,862,446 A	12/1958	Lars			
2,918,868 A	12/1959	Lars			
3,099,958 A	8/1963	Daubenspeck et al.			
3,104,498 A *	9/1963	Miller	A01G 9/021		
			47/65.7		
3,128,029 A *	4/1964	Price	B65D 1/265		
			229/400		
3,159,701 A	12/1964	Herter			
3,170,401 A	2/1965	Johnson et al.			
3,171,350 A	3/1965	Metcalf et al.			
3,242,789 A	3/1966	Woodring			
3,292,538 A	12/1966	Hans et al.			
3,485,170 A	12/1969	Scanlon			
3,485,173 A	12/1969	Morgan			
3,609,904 A	10/1971	Scanlon			
3,659,528 A	5/1972	Santala			
3,688,699 A	9/1972	Horn et al.			
3,690,256 A	9/1972	Schnitzer			
3,745,924 A	7/1973	Scanlon			
3,749,021 A	7/1973	Burgess			
3,756,156 A	9/1973	Schuster			
3,765,297 A	10/1973	Skochko et al.			
3,768,413 A	10/1973	Ramsay			
3,797,396 A	3/1974	Reed			
3,842,739 A	10/1974	Scanlon et al.			
3,866,536 A	2/1975	Greenberg			
3,874,294 A	4/1975	Hale			
3,955,506 A	5/1976	Luther et al.			
3,977,326 A	8/1976	Anderson et al.			
3,990,366 A	11/1976	Scanlon			
4,020,763 A	5/1977	Iruretagoyena			
4,147,107 A	4/1979	Ringdal			
4,157,684 A	6/1979	Clausser			
4,173,186 A	11/1979	Dunham			
4,187,271 A	2/1980	Rolston et al.			
4,228,724 A	10/1980	Leich			
D263,581 S *	3/1982	Kaye	D13/103		
4,475,435 A	10/1984	Mantel			
4,598,445 A	7/1986	O'Connor			
4,614,157 A	9/1986	Grelle et al.			
4,679,505 A	7/1987	Reed			
4,718,348 A	1/1988	Ferrigno			
4,719,859 A	1/1988	Ballreich et al.			
4,726,296 A	2/1988	Leshner et al.			
4,867,065 A	9/1989	Kaltmann et al.			
5,021,206 A	6/1991	Stoops			
5,033,386 A	7/1991	Vatsvog			
5,063,853 A	11/1991	Bilgeri			
5,090,327 A	2/1992	Bilgeri			
5,151,555 A	9/1992	Vatsvog			
5,165,040 A	11/1992	Andersson et al.			
5,237,930 A	8/1993	Belanger et al.			
5,247,888 A	9/1993	Conil			
5,259,288 A	11/1993	Vatsvog			
5,265,540 A	11/1993	Ducros et al.			
D345,676 S *	4/1994	Biffle	D7/510		
5,433,148 A	7/1995	Barratault et al.			
5,535,495 A	7/1996	Gutowski			
5,563,365 A	10/1996	Dineen et al.			
D380,650 S *	7/1997	Norris	D7/619.1		
5,679,920 A *	10/1997	Hallis	F42B 12/74		
			102/398		
5,770,815 A	6/1998	Watson			
5,798,478 A	8/1998	Beal			
5,950,063 A	9/1999	Hens et al.			
5,961,200 A	10/1999	Friis			
5,969,288 A	10/1999	Baud			
6,004,682 A	12/1999	Rackovan et al.			
6,048,379 A	4/2000	Bray et al.			
6,070,532 A	6/2000	Halverson			
6,108,974 A *	8/2000	Herzog-Mesrobian			
			A47G 7/08		
			47/72		
D435,626 S *	12/2000	Benini	D22/100		
D439,116 S *	3/2001	White	D7/619.1		
D442,833 S *	5/2001	Shuman	D7/608		
6,257,149 B1 *	7/2001	Cesaroni	F42B 12/745		
			102/515		
D447,209 S *	8/2001	Benini	D22/116		
6,272,993 B1	8/2001	Cook et al.			
6,283,035 B1	9/2001	Olson et al.			
6,357,357 B1	3/2002	Glasser			
D455,052 S *	4/2002	Gullickson	D7/619.1		
D455,320 S *	4/2002	Edelstein	D7/619.1		
6,375,971 B1	4/2002	Hansen			
6,382,449 B1 *	5/2002	Kazmierski	B65D 3/14		
			220/4.03		
6,450,099 B1	9/2002	Desgland			
6,460,464 B1	10/2002	Attarwala			
6,523,476 B1	2/2003	Riess et al.			
D478,530 S *	8/2003	Sachuk	D11/143		
6,649,095 B2	11/2003	Buja			
6,672,219 B2	1/2004	Mackerell et al.			
6,708,621 B1	3/2004	Forichon-Chaumet et al.			
6,752,084 B1	6/2004	Husseini et al.			
6,810,816 B2	11/2004	Rennard			
6,840,149 B2	1/2005	Beal			
6,845,716 B2	1/2005	Husseini et al.			
7,000,547 B2	2/2006	Amick			
7,014,284 B2	3/2006	Morton et al.			
7,032,492 B2	4/2006	Meshirer			
7,056,091 B2	6/2006	Powers			
7,059,234 B2	6/2006	Husseini			
7,165,496 B2	1/2007	Reynolds			
D540,710 S *	4/2007	Charrin	D11/147		
7,204,191 B2	4/2007	Wiley et al.			
7,213,519 B2	5/2007	Wiley et al.			
7,231,519 B2	6/2007	Joseph et al.			
7,232,473 B2	6/2007	Elliott			
7,299,750 B2	11/2007	Schikora et al.			
7,353,756 B2	4/2008	Leasure			
7,380,505 B1	6/2008	Shiery			
7,383,776 B2	6/2008	Amick			
7,392,746 B2	7/2008	Hansen			
7,441,504 B2	10/2008	Husseini et al.			
D583,927 S *	12/2008	Benner	D24/106		
7,461,597 B2	12/2008	Brunn			
7,585,166 B2	9/2009	Buja			
7,610,858 B2	11/2009	Chung			
7,750,091 B2	7/2010	Maljkovic et al.			
D626,619 S *	11/2010	Gogol	D22/116		
7,841,279 B2	11/2010	Reynolds et al.			
D630,761 S *	1/2011	Marshall	D24/215		
D631,699 S *	2/2011	Moreau	D7/509		
D633,166 S *	2/2011	Richardson	D22/116		
7,930,977 B2	4/2011	Klein			
8,007,370 B2	8/2011	Hirsch et al.			
8,056,232 B2	11/2011	Patel et al.			
8,156,870 B2	4/2012	South			
8,201,867 B2	6/2012	Thomeczek			
8,206,522 B2	6/2012	Sandstrom et al.			
8,240,252 B2	8/2012	Maljkovic et al.			
D675,882 S *	2/2013	Crockett	D7/601		
8,408,137 B2	4/2013	Battaglia			
D683,419 S *	5/2013	Rebar	D22/116		
8,443,729 B2	5/2013	Mittelstaedt			
8,443,730 B2	5/2013	Padgett			
8,511,233 B2	8/2013	Nilsson			
D689,975 S *	9/2013	Carlson	D22/116		
8,522,684 B2	9/2013	Davies et al.			
8,540,828 B2	9/2013	Busky et al.			
8,561,543 B2	10/2013	Burrow			
8,573,126 B2	11/2013	Klein et al.			
8,641,842 B2	2/2014	Hafner et al.			
8,689,696 B1	4/2014	Seeman et al.			
8,763,535 B2	7/2014	Padgett			
8,790,455 B2	7/2014	Borissov et al.			
8,807,008 B2	8/2014	Padgett et al.			
8,813,650 B2	8/2014	Maljkovic et al.			

(56)

References Cited

U.S. PATENT DOCUMENTS

D715,888 S	10/2014	Padgett	D800,246 S *	10/2017	Burczynski	D22/115
8,850,985 B2	10/2014	Maljkovic et al.	9,784,667 B2	10/2017	Lukay et al.	
8,857,343 B2	10/2014	Marx	D801,753 S *	11/2017	Piper	D7/624.2
8,869,702 B2	10/2014	Padgett	D805,856 S *	12/2017	Rivera	D7/624.2
D717,909 S *	11/2014	Thrift	9,835,423 B2	12/2017	Burrow	
8,875,633 B2	11/2014	Padgett	9,835,427 B2	12/2017	Burrow	
8,893,621 B1	11/2014	Escobar	9,857,151 B2	1/2018	Dionne et al.	
D723,418 S *	3/2015	Thuma	9,869,536 B2	1/2018	Burrow	
8,978,559 B2	3/2015	Davies et al.	9,885,551 B2	2/2018	Burrow	
9,003,973 B1	4/2015	Padgett	D813,975 S *	3/2018	White	D22/116
9,032,855 B1	5/2015	Foren et al.	9,921,040 B2	3/2018	Rubin	
9,091,516 B2	7/2015	Davies et al.	9,927,219 B2	3/2018	Burrow	
9,103,641 B2	8/2015	Nielson et al.	D814,695 S *	4/2018	Petteys	D27/195
9,157,709 B2	10/2015	Nuetzman et al.	9,933,241 B2	4/2018	Burrow	
9,170,080 B2	10/2015	Poore et al.	9,939,236 B2	4/2018	Drobockyi et al.	
9,182,204 B2	11/2015	Maljkovic et al.	9,964,388 B1	5/2018	Burrow	
9,188,412 B2	11/2015	Maljkovic et al.	D821,536 S *	6/2018	Christiansen	D22/116
9,200,157 B2	12/2015	El-Hibri et al.	D824,732 S *	8/2018	Hsiao	D7/624.2
9,200,880 B1	12/2015	Foren et al.	D832,037 S *	10/2018	Gallagher	D7/397
9,212,876 B1	12/2015	Kostka et al.	D834,447 S *	11/2018	van Smirren	A47G 7/06
9,212,879 B2	12/2015	Whitworth				D11/143
9,213,175 B2	12/2015	Arnold	D839,676 S *	2/2019	Seiders	D7/523
9,254,503 B2	2/2016	Ward	D839,677 S *	2/2019	Seiders	D7/523
9,255,775 B1	2/2016	Rubin	D843,788 S *	3/2019	Boroski	D7/608
D752,397 S *	3/2016	Seiders	10,234,249 B2 *	3/2019	Burrow	F42B 5/307
D754,223 S *	4/2016	Pederson	10,234,253 B2 *	3/2019	Burrow	F42B 5/307
9,329,004 B2	5/2016	Pace	10,240,905 B2 *	3/2019	Burrow	F42B 5/307
9,335,137 B2	5/2016	Maljkovic et al.	10,254,096 B2 *	4/2019	Burrow	F42B 5/307
9,337,278 B1	5/2016	Gu et al.	10,365,074 B2 *	7/2019	Burrow	F42C 19/083
9,347,457 B2	5/2016	Ahrens et al.	2003/0131751 A1	7/2003	Mackerell et al.	
9,366,512 B2	6/2016	Burczynski et al.	2005/0192835 A1 *	9/2005	Kuo	G06Q 50/22
9,377,278 B2	6/2016	Rubin				705/2
9,389,052 B2	7/2016	Conroy et al.	2006/0260500 A1	11/2006	Engel et al.	
9,395,165 B2	7/2016	Maljkovic et al.	2006/0283345 A1 *	12/2006	Feldman	F42B 12/365
D764,624 S	8/2016	Masinelli				102/430
D765,214 S	8/2016	Padgett	2007/0056343 A1	3/2007	Cremonesi	
9,429,407 B2	8/2016	Burrow	2007/0181029 A1 *	8/2007	Mcaninch	F41B 11/00
9,441,930 B2	9/2016	Burrow				102/430
9,453,714 B2	9/2016	Bosarge et al.	2007/0204511 A1 *	9/2007	Lee	A47G 7/06
D773,009 S *	11/2016	Bowers				47/66.1
9,500,453 B2	11/2016	Schluckebier et al.	2009/0314178 A1	12/2009	South	
9,506,735 B1	11/2016	Burrow	2010/0275804 A1	11/2010	Trivette	
D773,250 S *	12/2016	Miller	2011/0036000 A1 *	2/2011	Verdecia	A47G 7/06
D774,824 S *	12/2016	Gallagher				47/41.1
9,513,096 B2	12/2016	Burrow	2012/0011219 A1	1/2012	Zhang et al.	
9,518,810 B1	12/2016	Burrow	2012/0037029 A1	2/2012	Klement	
9,523,563 B1	12/2016	Burrow	2012/0111219 A1	5/2012	Burrow	
9,528,799 B2	12/2016	Maljkovic	2012/0180685 A1 *	7/2012	O	F42B 8/14
9,546,849 B2	1/2017	Burrow				102/334
9,551,557 B1	1/2017	Burrow	2012/0180688 A1	7/2012	Padgett	
D778,391 S	2/2017	Burrow	2012/0199033 A1	8/2012	Bybee et al.	
D778,393 S	2/2017	Burrow	2012/0291655 A1 *	11/2012	Jones	F42B 8/14
D778,394 S	2/2017	Burrow				102/502
D778,395 S	2/2017	Burrow	2013/0014665 A1	1/2013	Maljkovic et al.	
D779,024 S	2/2017	Burrow	2013/0186294 A1 *	7/2013	Davies	F42B 5/307
D780,283 S *	2/2017	Burrow				102/467
D780,533 S *	3/2017	Seiders	2014/0060372 A1	3/2014	Padgett	
9,587,918 B1	3/2017	Burrow	2014/0260925 A1	9/2014	Beach et al.	
9,599,443 B2	3/2017	Padgett et al.	2014/0261044 A1 *	9/2014	Seecamp	F42B 12/36
D784,137 S *	4/2017	Cates				102/464
9,625,241 B2	4/2017	Neugebauer	2014/0311332 A1 *	10/2014	Carlson	F42B 5/045
9,631,907 B2	4/2017	Burrow				89/191.01
D786,025 S *	5/2017	Seiders	2015/0033970 A1 *	2/2015	Maljkovic	F42B 5/307
9,644,930 B1	5/2017	Burrow				102/467
9,658,042 B2	5/2017	Emary	2015/0226220 A1	8/2015	Bevington	
D788,636 S *	6/2017	Patemostre	2015/0241183 A1	8/2015	Padgett et al.	
D790,392 S *	6/2017	Patemostre	2015/0241184 A1	8/2015	Burrow	
9,683,818 B2	6/2017	Lemke et al.	2016/0003589 A1	1/2016	Burrow	
D792,200 S *	7/2017	Baiz	2016/0003590 A1	1/2016	Burrow	
9,709,368 B2	7/2017	Mahnke	2016/0003593 A1	1/2016	Burrow	
D793,172 S *	8/2017	Medina	2016/0003594 A1	1/2016	Burrow	
D797,880 S *	9/2017	Seecamp	2016/0003595 A1	1/2016	Burrow	
9,759,554 B2	9/2017	Ng et al.	2016/0003596 A1	1/2016	Burrow	
D800,244 S *	10/2017	Burczynski	2016/0003597 A1	1/2016	Burrow	
D800,245 S *	10/2017	Burczynski	2016/0003601 A1	1/2016	Burrow	
			2016/0033241 A1	2/2016	Burrow	
			2016/0102030 A1	4/2016	Coffey et al.	
			2016/0209186 A1	7/2016	Hajjar	

(56)

References Cited

U.S. PATENT DOCUMENTS

2016/0245626 A1 8/2016 Drieling et al.
 2016/0265886 A1* 9/2016 Aldrich F42B 5/30
 2016/0349022 A1* 12/2016 Burrow F42B 5/307
 2016/0349023 A1 12/2016 Burrow
 2016/0349028 A1 12/2016 Burrow
 2016/0356581 A1 12/2016 Burrow
 2016/0356588 A1 12/2016 Burrow
 2016/0377399 A1 12/2016 Burrow
 2017/0080498 A1 3/2017 Burrow
 2017/0082409 A1 3/2017 Burrow
 2017/0082411 A1 3/2017 Burrow
 2017/0089673 A1 3/2017 Burrow
 2017/0089674 A1 3/2017 Burrow
 2017/0089675 A1 3/2017 Burrow
 2017/0089679 A1 3/2017 Burrow
 2017/0115105 A1* 4/2017 Burrow F42B 33/001
 2017/0261294 A1 9/2017 Riess
 2017/0261299 A1* 9/2017 Burrow F42C 19/083
 2018/0066925 A1 3/2018 Skowron et al.
 2018/0106581 A1* 4/2018 Rogers F42B 12/367
 2018/0224252 A1* 8/2018 O'Rourke F42B 12/40
 2019/0011234 A1* 1/2019 Boss F42C 19/083
 2019/0107375 A1* 4/2019 Burrow F42B 33/001
 2019/0137244 A1* 5/2019 Burrow F42B 5/307

FOREIGN PATENT DOCUMENTS

EP 2625486 A4 8/2017
 FR 1412414 A 10/1965
 GB 783023 A 9/1957

WO 0034732 6/2000
 WO 2007014024 A2 2/2007
 WO 2012047615 A1 4/2012
 WO 2012097320 A1 7/2012
 WO 2012097317 A3 11/2012
 WO 2013070250 A1 5/2013
 WO 2013096848 A1 6/2013
 WO 2014062256 A2 4/2014
 WO 2016003817 A1 1/2016

OTHER PUBLICATIONS

Luck Gunner.com, Review: Polymer Cased Rifle Ammunition from PCP Ammo, Published Jan. 6, 2014, [site visited Mar. 27, 2019], Available on the Internet URL <https://www.luckygunner.com/lounge/pcp-ammo-review/> (Year: 2014).*

International Ammunition Assoc website, Published in Apr. 2017, PCP Ammo Variation in U.S. Military Polymer/Metal Cartridge Case R&D, [site visited Mar. 29, 2019], Available on the Internet URL <https://forum.cartridgecollectors.org/t/pcp-ammo-variation-in-u-s-military-polymer-metal-cartridge-case-r-d/24400> (Year: 2017).*

AccurateShooter.com Daily Bulletin "New PolyCase Ammunition and Injection-Molded Bullets" Jan. 11, 2015.

Korean Intellectual Property Office (ISA), International Search Report and Written Opinion for PCT/US2011/062781 dated Nov. 30, 2012, 16 pages.

Korean Intellectual Property Office (ISA), International Search Report and Written Opinion for PCT/US2015/038061 dated Sep. 21, 2015, 28 pages.

* cited by examiner

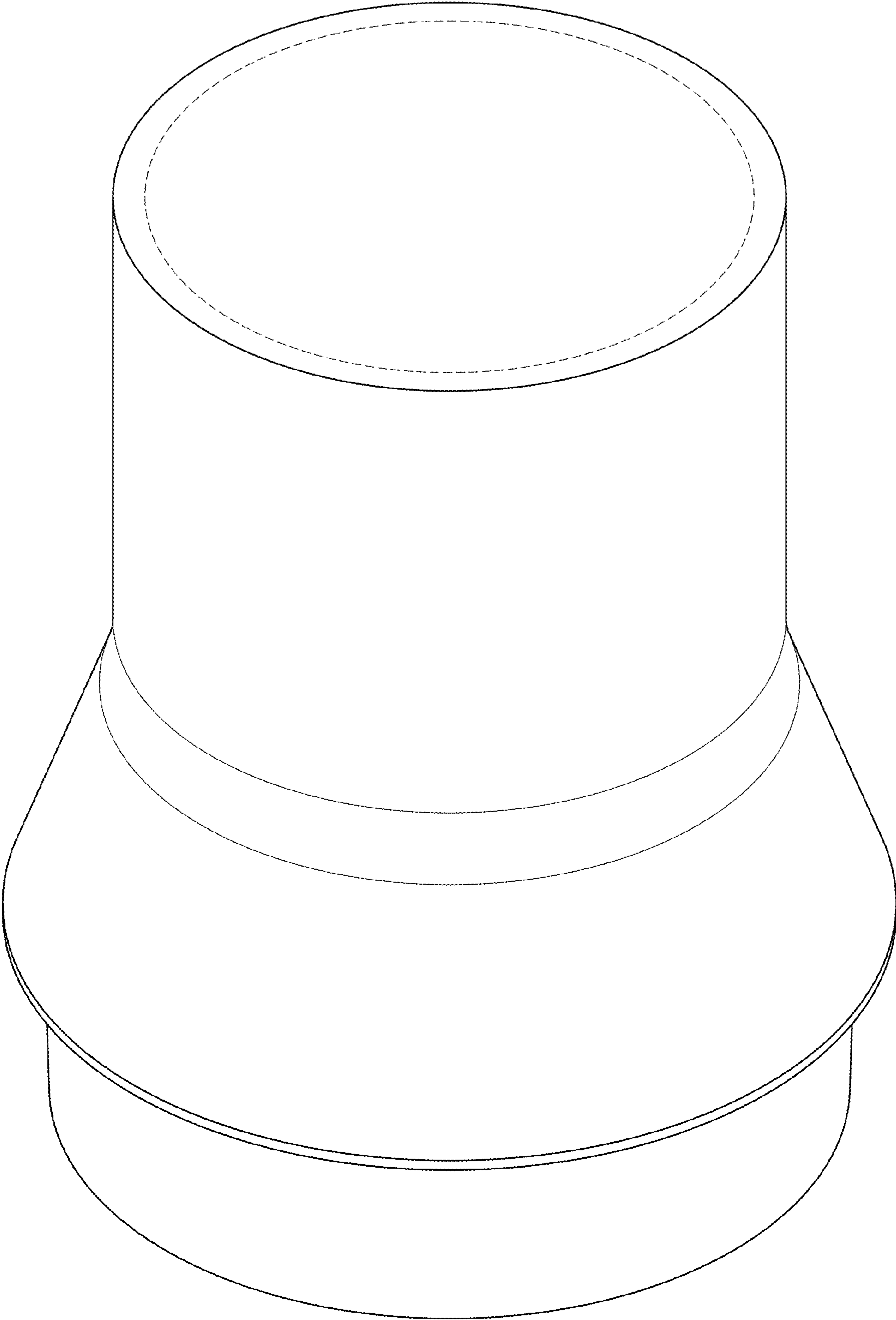
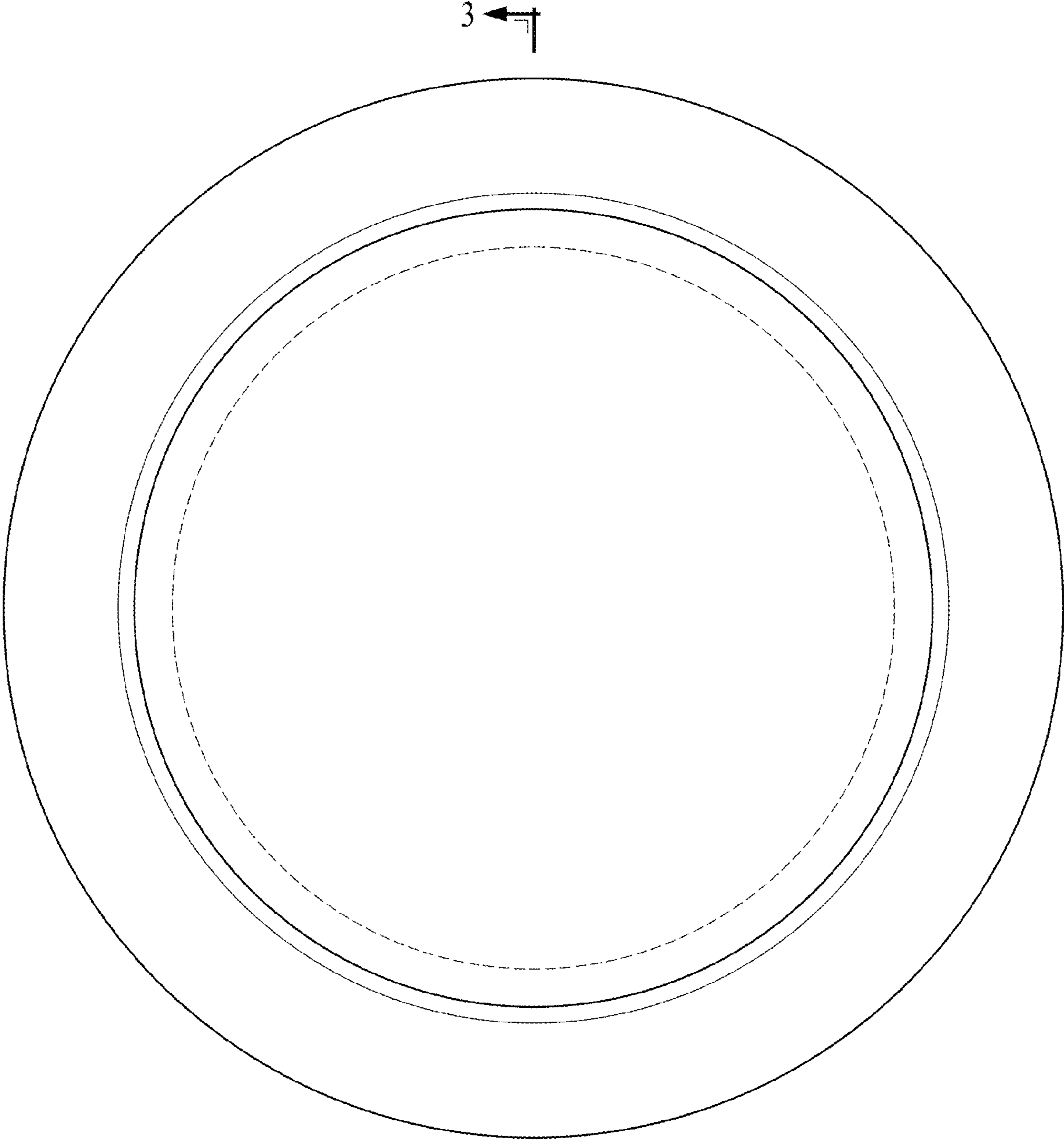


FIG. 1



3 ←

3 ←

FIG. 2

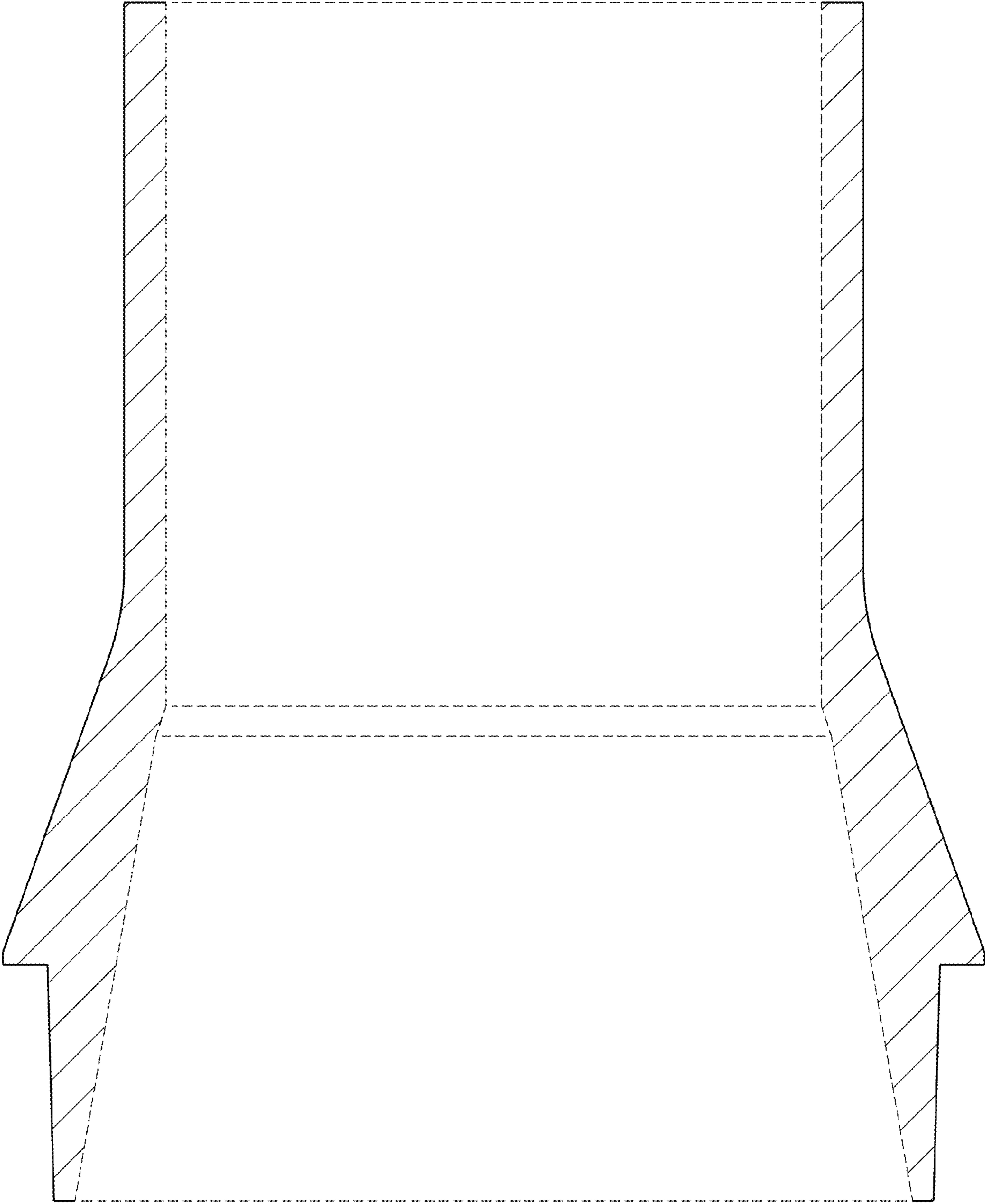


FIG. 3

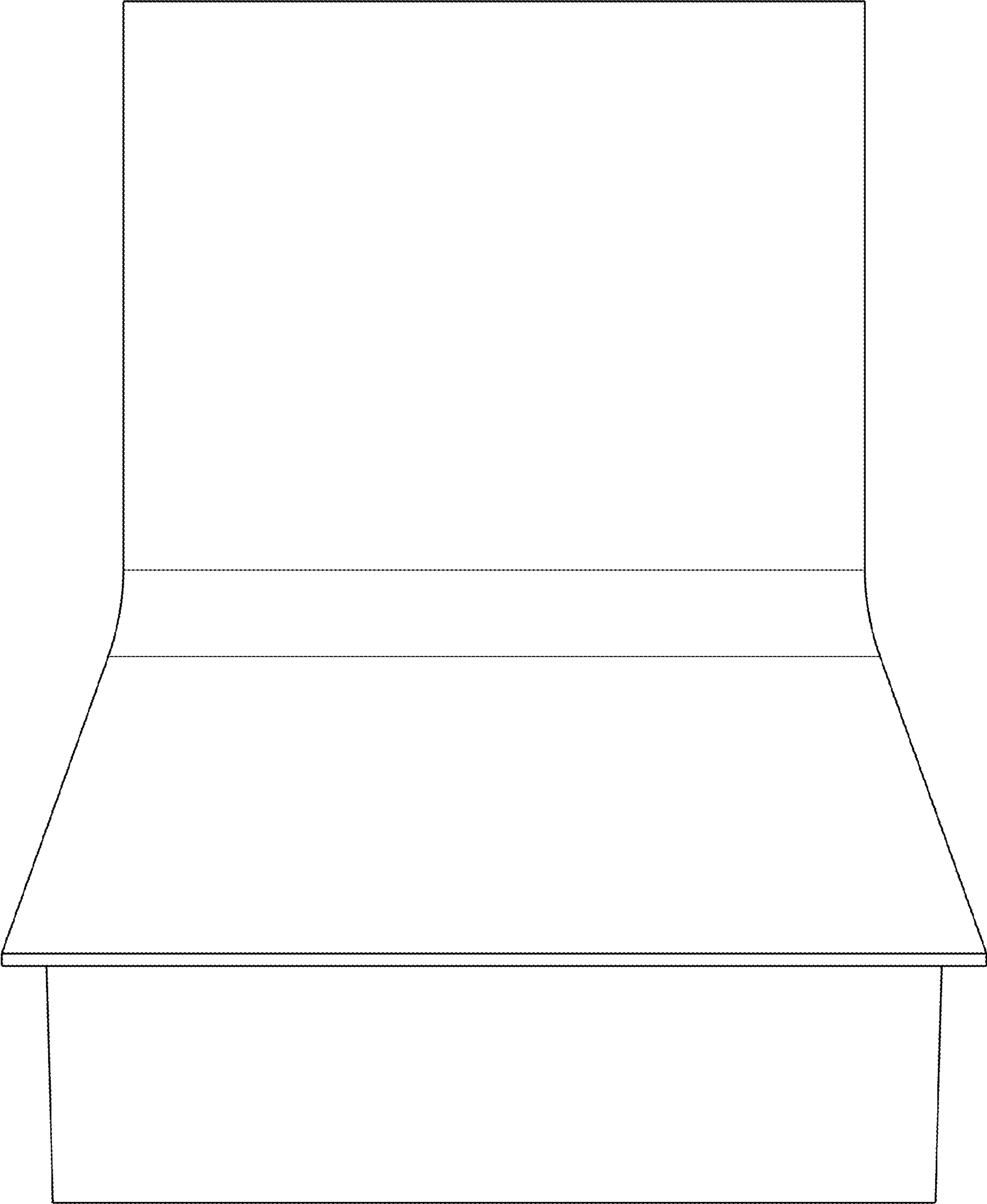


FIG. 4