



US00D886230S

(12) **United States Design Patent**
Green et al.

(10) **Patent No.:** **US D886,230 S**

(45) **Date of Patent:** **** Jun. 2, 2020**

- (54) **SILENCER TUBE BODY**
- (71) Applicants: **Austin R. Green**, Watertown, WI (US);
Evan R. Green, Watertown, WI (US)
- (72) Inventors: **Austin R. Green**, Watertown, WI (US);
Evan R. Green, Watertown, WI (US)

D776,226 S *	1/2017	Green	D22/108
D802,699 S *	11/2017	Shults	D22/108
D802,700 S *	11/2017	Shults	D22/108
D833,565 S *	11/2018	Roberts	D22/108
D839,375 S	1/2019	James		
2011/0056111 A1*	3/2011	Brittingham	F41A 21/30 42/90
2013/0180150 A1*	7/2013	Dueck	F41A 21/325 42/90

(**) Term: **15 Years**

* cited by examiner

(21) Appl. No.: **29/722,806**

Primary Examiner — Michael A. Pratt

(22) Filed: **Jan. 31, 2020**

(74) *Attorney, Agent, or Firm* — Mitchell Law PLLC;
Matthew W. Mitchell

(51) **LOC (12) Cl.** **22-01**

(57) **CLAIM**

(52) **U.S. Cl.**
USPC **D22/108**

The ornamental design for a silencer tube body, as shown and described.

(58) **Field of Classification Search**
USPC D22/108
CPC F41A 21/30; F41A 21/325
See application file for complete search history.

DESCRIPTION

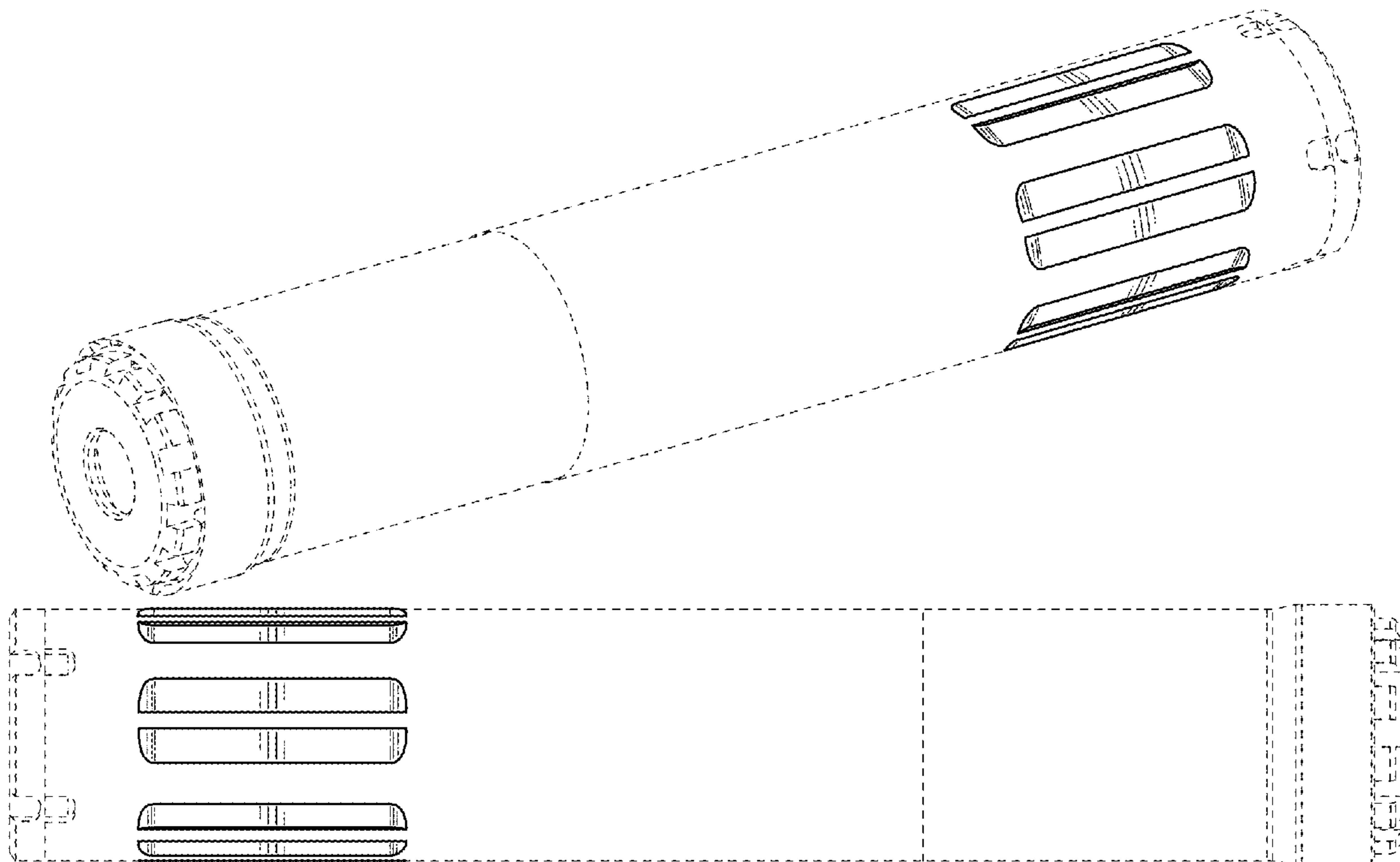
(56) **References Cited**

FIG. 1 is a front isometric view of the silencer tube body of the present invention;
FIG. 2 is a second isometric view thereof;
FIG. 3 is a top plan view thereof;
FIG. 4 is a bottom plan view thereof;
FIG. 5 is a right-side view thereof;
FIG. 6 is a left-side view thereof;
FIG. 7 is a front view thereof; and,
FIG. 8 is a rear view thereof.
The broken lines form no part of the claimed design.

U.S. PATENT DOCUMENTS

D582,502 S	12/2008	Brittingham	
D582,503 S *	12/2008	Brittingham D22/108
D584,786 S *	1/2009	Brittingham D22/108
D584,787 S	1/2009	Brittingham	
D585,518 S *	1/2009	Brittingham D22/108
D591,382 S *	4/2009	Brittingham D22/108
D767,706 S	9/2016	Shults	

1 Claim, 8 Drawing Sheets



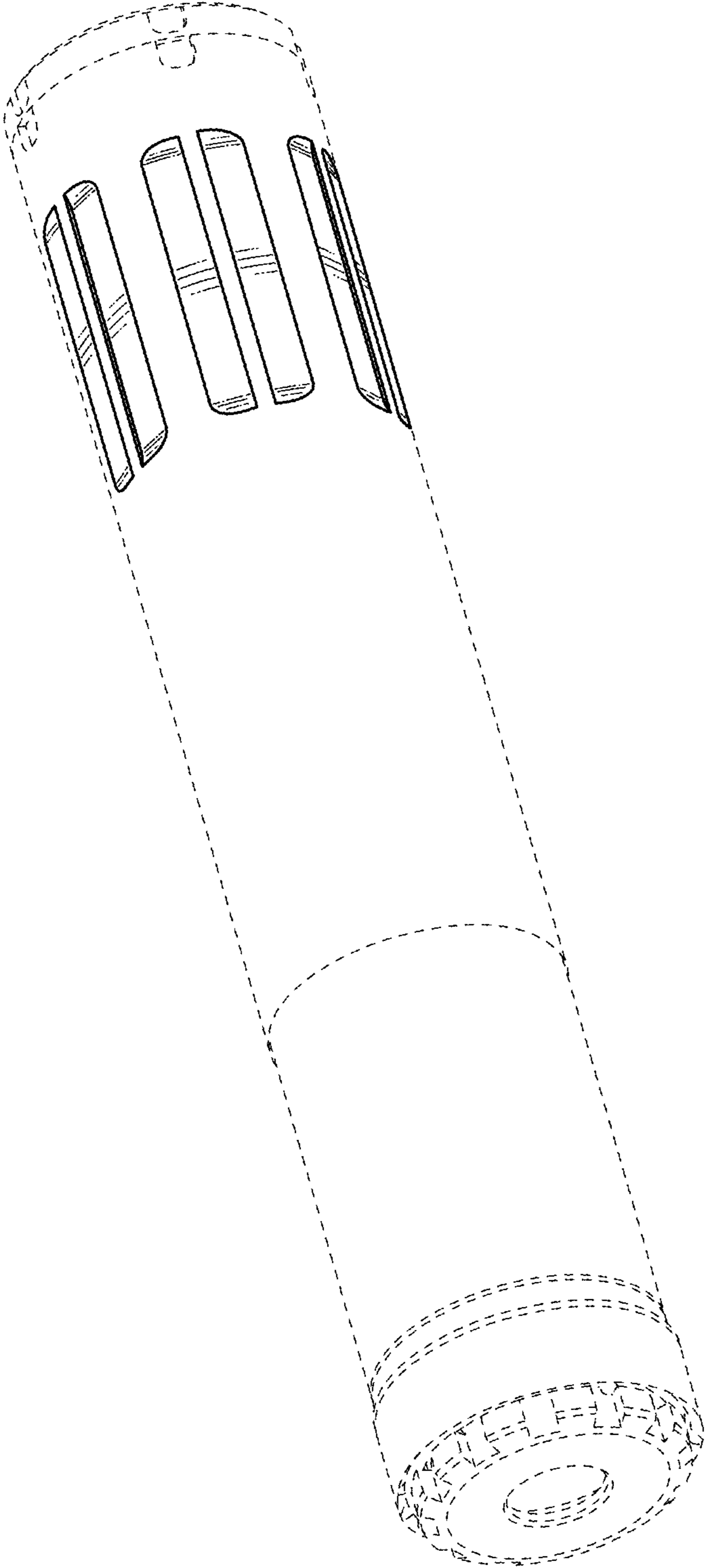


FIG. 1

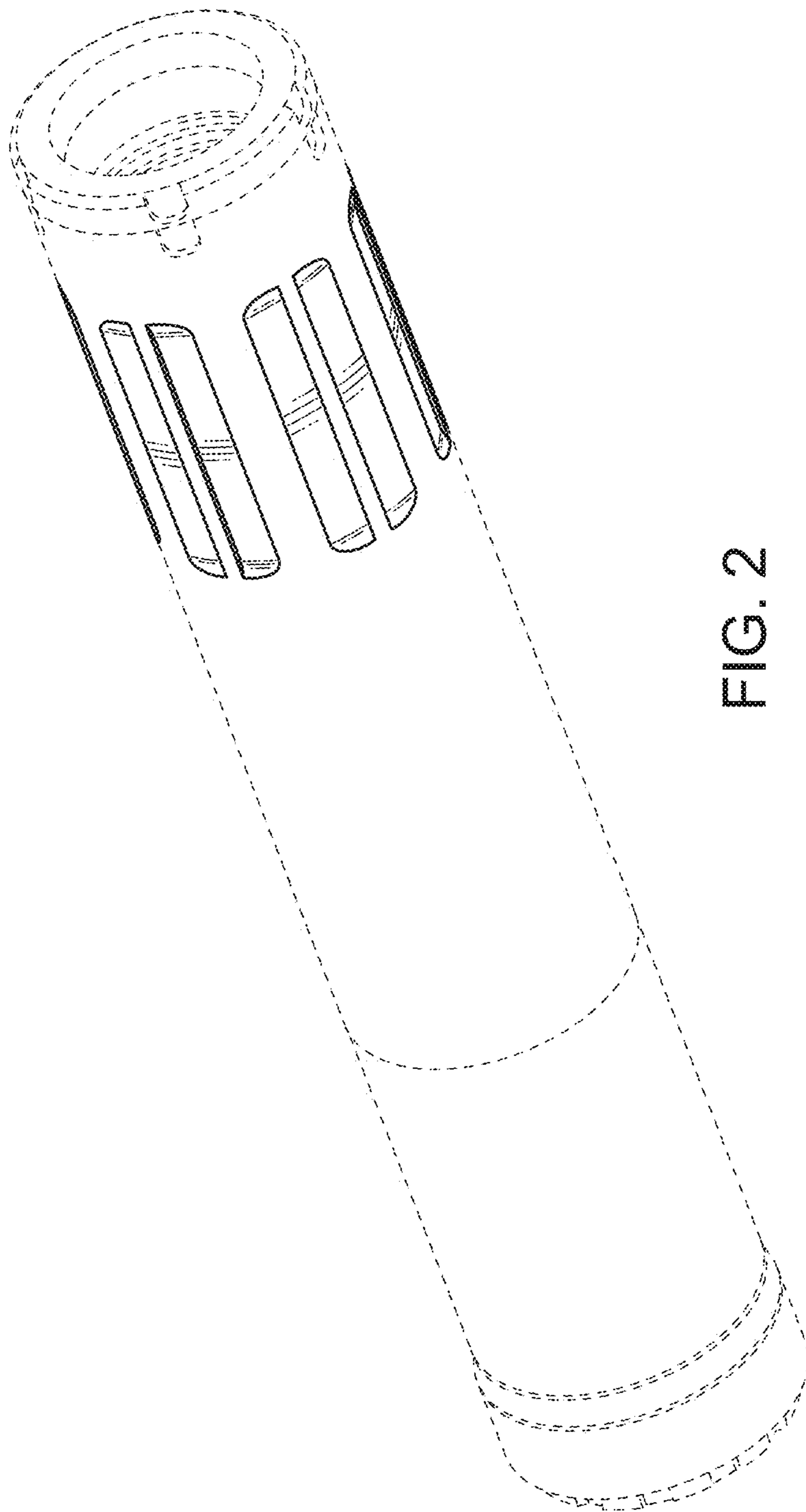


FIG. 2

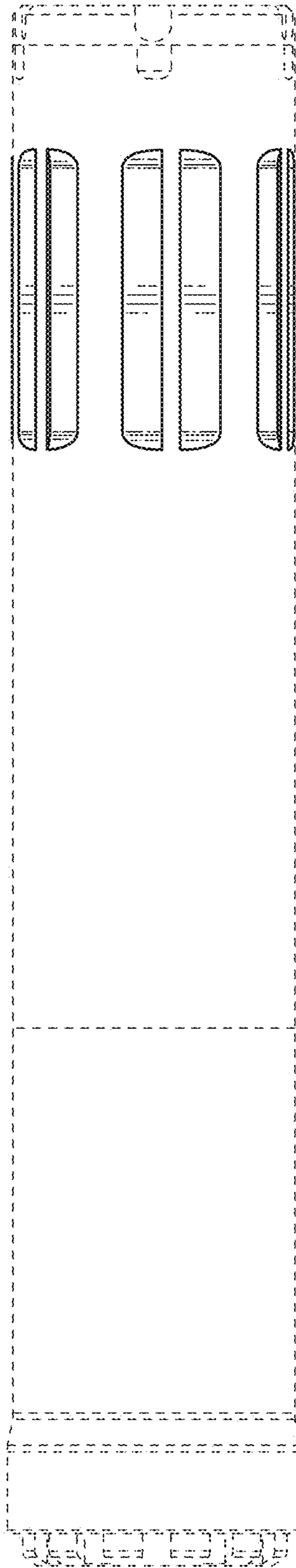


FIG. 3

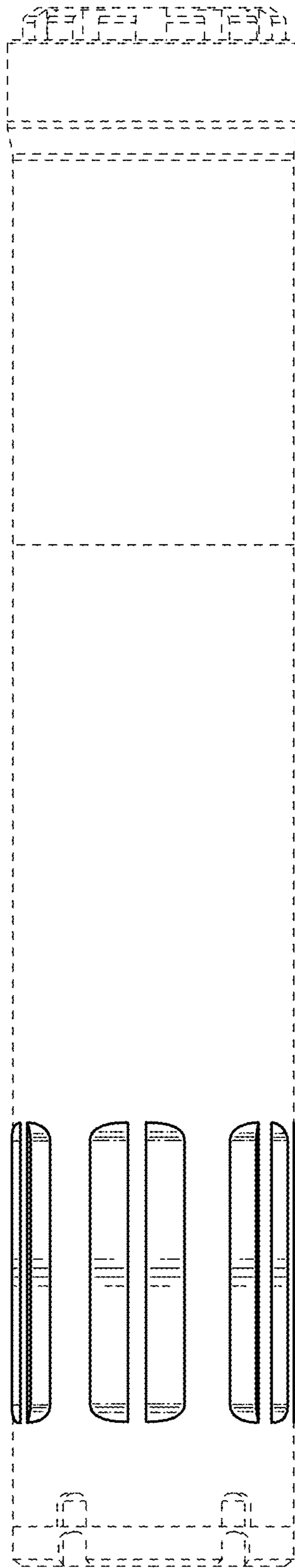


FIG. 4

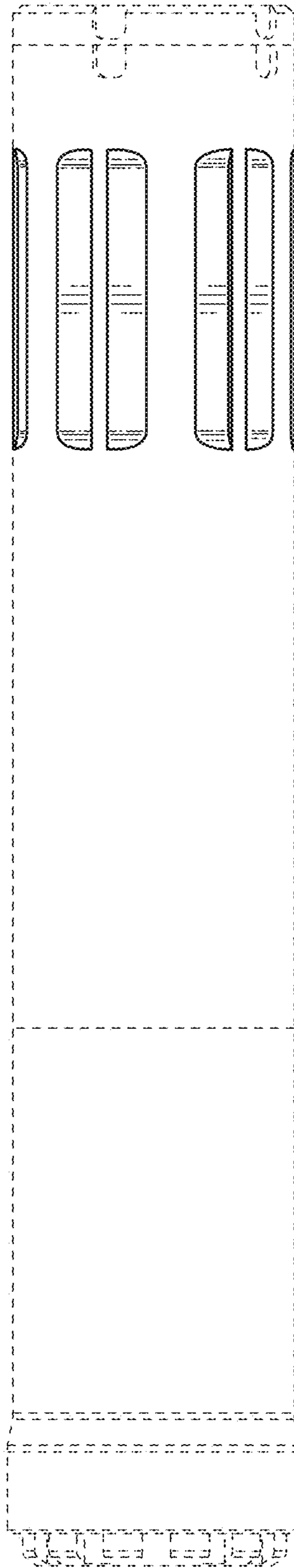


FIG. 5

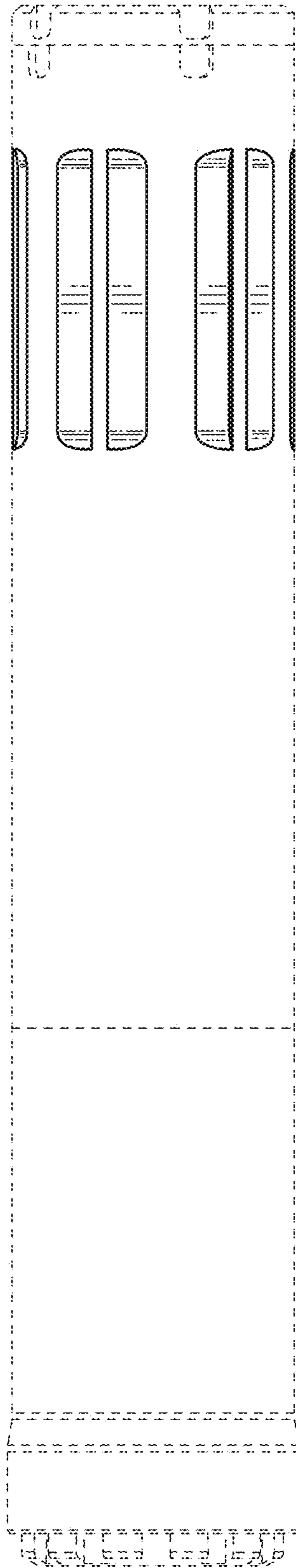


FIG. 6

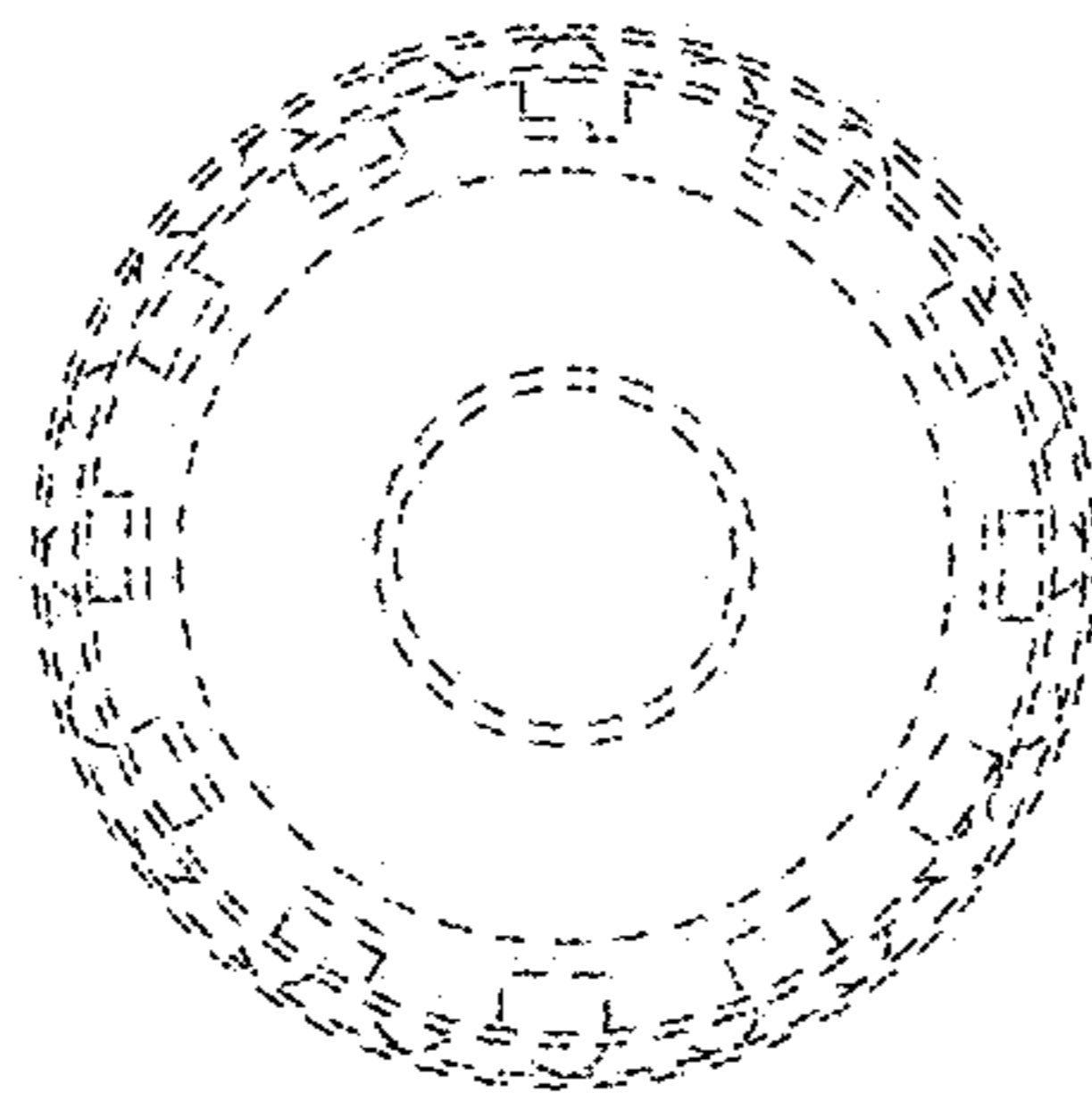


FIG. 7

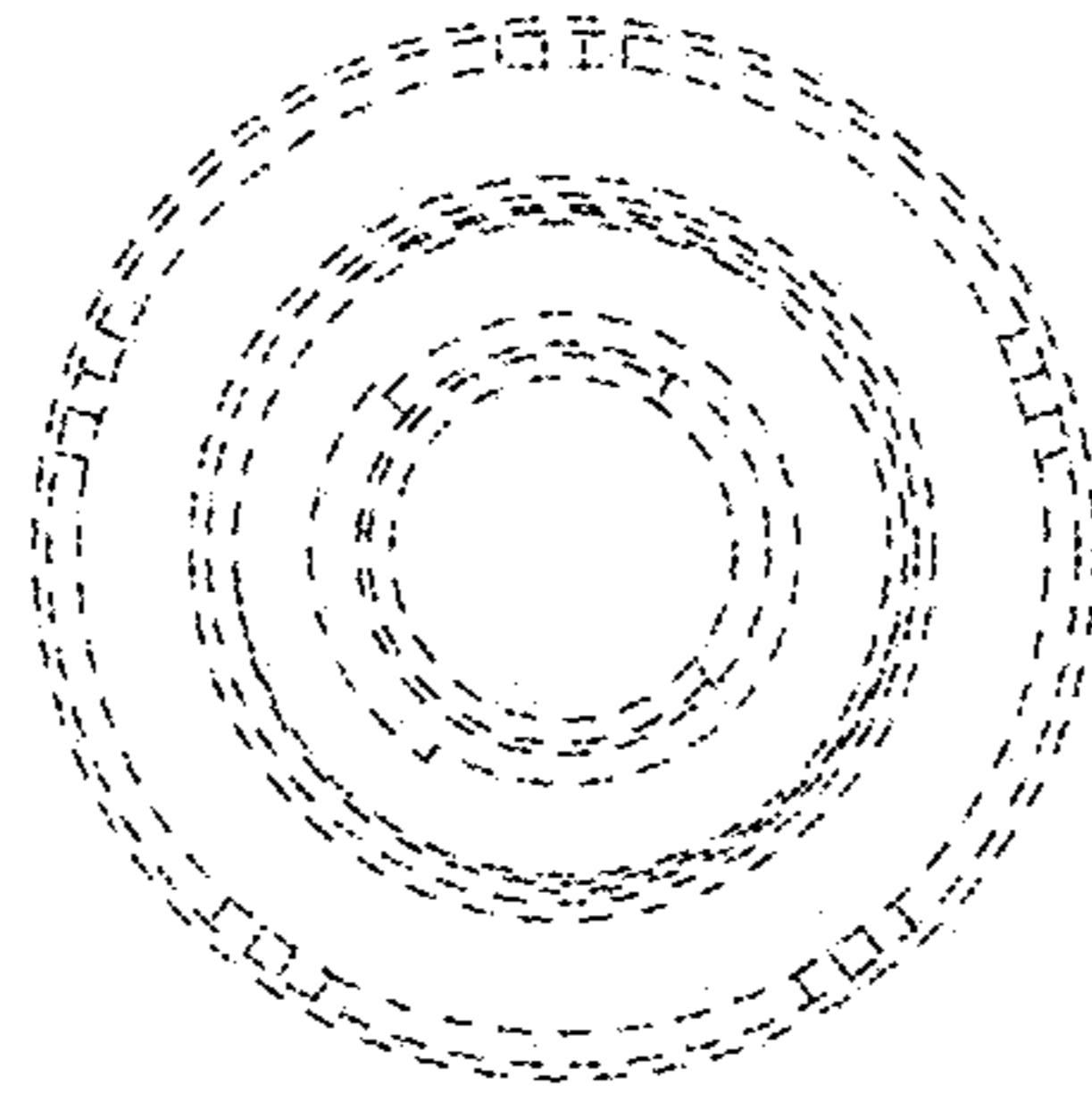


FIG. 8