



US00D886229S

(12) **United States Design Patent**
McDonald et al.

(10) **Patent No.:** **US D886,229 S**
(45) **Date of Patent:** **** Jun. 2, 2020**

(54) **MODULAR SILENCER**

(71) Applicant: **Q, LLC**, Portsmouth, NH (US)

(72) Inventors: **Brian McDonald**, Portsmouth, NH (US); **Kevin Brittingham**, Portsmouth, NH (US); **Ethan Lessard**, East Kingston, NH (US)

(73) Assignee: **Q, LLC**, Portsmouth, NH (US)

(**) Term: **15 Years**

(21) Appl. No.: **29/669,254**

(22) Filed: **Nov. 7, 2018**

Related U.S. Application Data

(62) Division of application No. 29/571,699, filed on Jul. 20, 2016, now Pat. No. Des. 837,922.

(51) **LOC (12) Cl.** **22-01**

(52) **U.S. Cl.**
USPC **D22/108**

(58) **Field of Classification Search**
USPC D22/108
CPC F41A 21/30; F41A 21/325
See application file for complete search history.

(56) **References Cited**

U.S. PATENT DOCUMENTS

2,847,888	A	8/1958	Paulson
5,247,715	A	9/1993	Nishiguchi
D371,287	S	7/1996	Gilbert, Jr.
7,272,996	B2	9/2007	Pontieri
8,100,224	B1	1/2012	Olson
8,439,155	B2	5/2013	Shults et al.
8,499,676	B1	8/2013	Moore et al.
8,516,941	B1	8/2013	Oliver
8,555,765	B2	10/2013	Graham, II et al.
D718,103	S	11/2014	Geissele
9,175,920	B2	11/2015	Moore

9,476,661	B2	10/2016	Troy et al.
9,500,427	B1	11/2016	Larue
9,631,888	B2	4/2017	Young
9,709,354	B2	7/2017	Larue
9,746,267	B2	8/2017	Smith
9,816,773	B1	11/2017	Reis Green et al.
9,857,137	B2	1/2018	Barrett

(Continued)

OTHER PUBLICATIONS

“Manufacturing of a Sonic Silencer”, Sonic Silencer, YouTube, <https://www.youtube.com/watch?v=ZhUIEn-pgg0> (Year: 2014).

(Continued)

Primary Examiner — Michael A. Pratt

(74) *Attorney, Agent, or Firm* — Fox Rothschild LLP

(57) **CLAIM**

The ornamental design for a modular silencer, as shown and described.

DESCRIPTION

FIG. 1 is an isometric view of a modular silencer in accordance with the present disclosure.

FIG. 2 is a front view of the modular silencer of FIG. 1.

FIG. 3 is a rear view of the modular silencer of FIG. 1.

FIG. 4 is a left side elevation view of the modular silencer of FIG. 1.

FIG. 5 is a right side elevation view of the modular silencer of FIG. 1.

FIG. 6 is a top view of the modular silencer of FIG. 1.

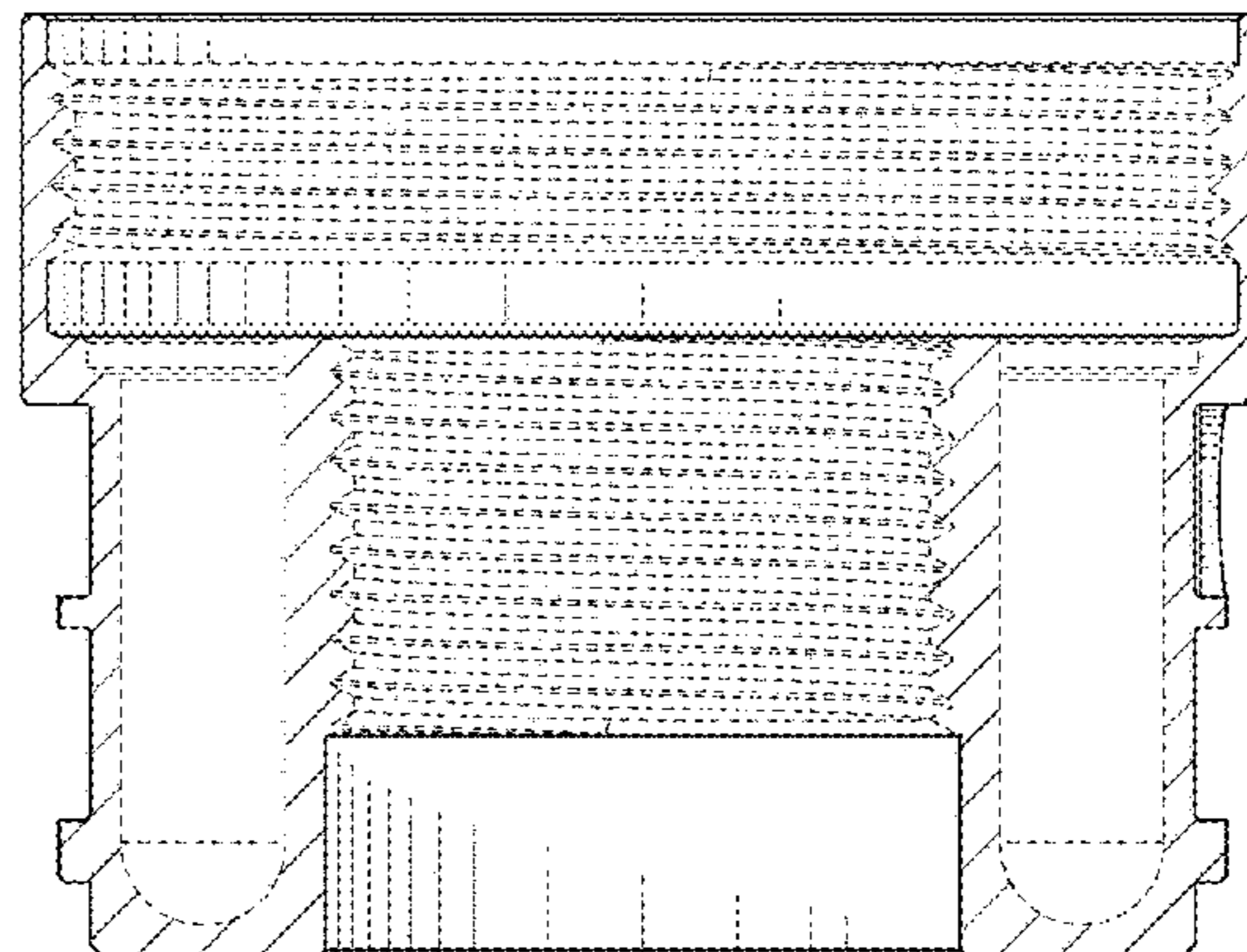
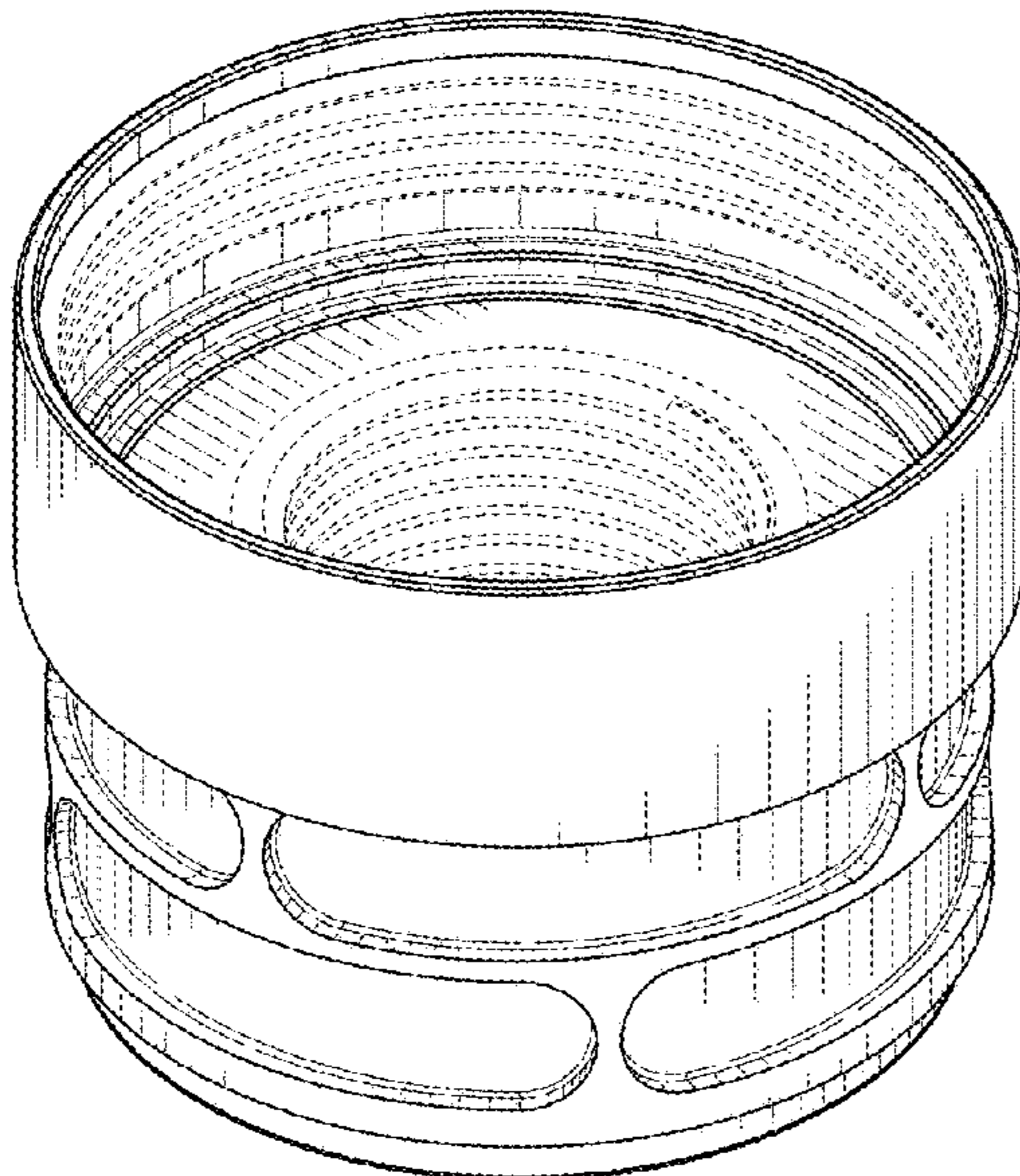
FIG. 7 is a bottom view of the modular silencer of FIG. 1.

FIG. 8 is a cross-sectional view along line 8-8 shown in FIG. 2 of the modular silencer of FIG. 1; and,

FIG. 9 is a cross-sectional view along line 9-9 shown in FIG. 6 of the modular silencer of FIG. 1.

The broken lines in the Figures illustrate portions of the article that form no part of the claimed design.

1 Claim, 6 Drawing Sheets



(56)

References Cited

U.S. PATENT DOCUMENTS

9,921,021 B1 3/2018 Graham, II
 10,082,355 B2* 9/2018 Addis F41A 21/325
 10,166,658 B2 1/2019 Bennett et al.
 2008/0098880 A1 5/2008 Brugger
 2010/0313457 A1* 12/2010 Dueck F41A 21/26
 42/1.01
 2011/0197487 A1* 8/2011 Humston F41A 21/34
 42/1.06
 2012/0103176 A1* 5/2012 Latka F41A 21/30
 89/14.4
 2012/0255807 A1 10/2012 Pieratti
 2015/0198405 A1 7/2015 Keng
 2017/0038172 A1* 2/2017 Palu F41A 21/30
 2017/0153080 A1 6/2017 Roberts et al.
 2017/0167816 A1* 6/2017 Young F41A 21/325
 2017/0205175 A1* 7/2017 Garst F41A 21/30
 2017/0261281 A1 9/2017 Salvador
 2017/0299313 A1 10/2017 Adamson
 2018/0017351 A1* 1/2018 Palu F41A 21/30
 2018/0038663 A1 2/2018 Larue
 2018/0058791 A1 3/2018 Larue
 2018/0202742 A1* 7/2018 Brittingham F41A 21/34

2018/0252489 A1* 9/2018 Parker F41A 21/30
 2019/0022847 A1 1/2019 Weathers
 2019/0030690 A1 1/2019 Hamby
 2019/0093973 A1* 3/2019 Hamby F41A 21/30
 2019/0170467 A1* 6/2019 Miele F41A 21/30
 2020/0025494 A1* 1/2020 Parker F41A 21/30

OTHER PUBLICATIONS

“Shop I StingerWorx Suppressors”, <https://www.stingerworx.com/shop> (Year: 2017).
 “Suppressor is stuck to my barrel. Not mechanically inclined: NFA”, reddit, https://www.reddit.com/r/NFA/comments/5d2mdv/suppressor_is_stuck_to_my_barrel_not_mechanically/ (Year: 2016).
 “Suppressor Spanner Wrench—RTT Specialties LLC”, <http://rttspecialties.com/product/suppressor-spanner-wrench> (Year: 2017).
 YouTube Video, “Sonic 35 Modular Suppressor” at <https://www.youtube.com/watch?v=eCtrlzKuECA> (Nov. 13, 2013).
 “Stuck suppressor—need ideas / Sniper’s Hide Forum”, <http://forum.snipershide.com/threads/stuck-suppressor-need-ideas.66820> (Year: 2011).
 “Washers and torque on suppressors—SilencerTalk”, <http://www.silencertalk.com/forum/viewtopic.php?t=93784> (Year: 2012).

* cited by examiner

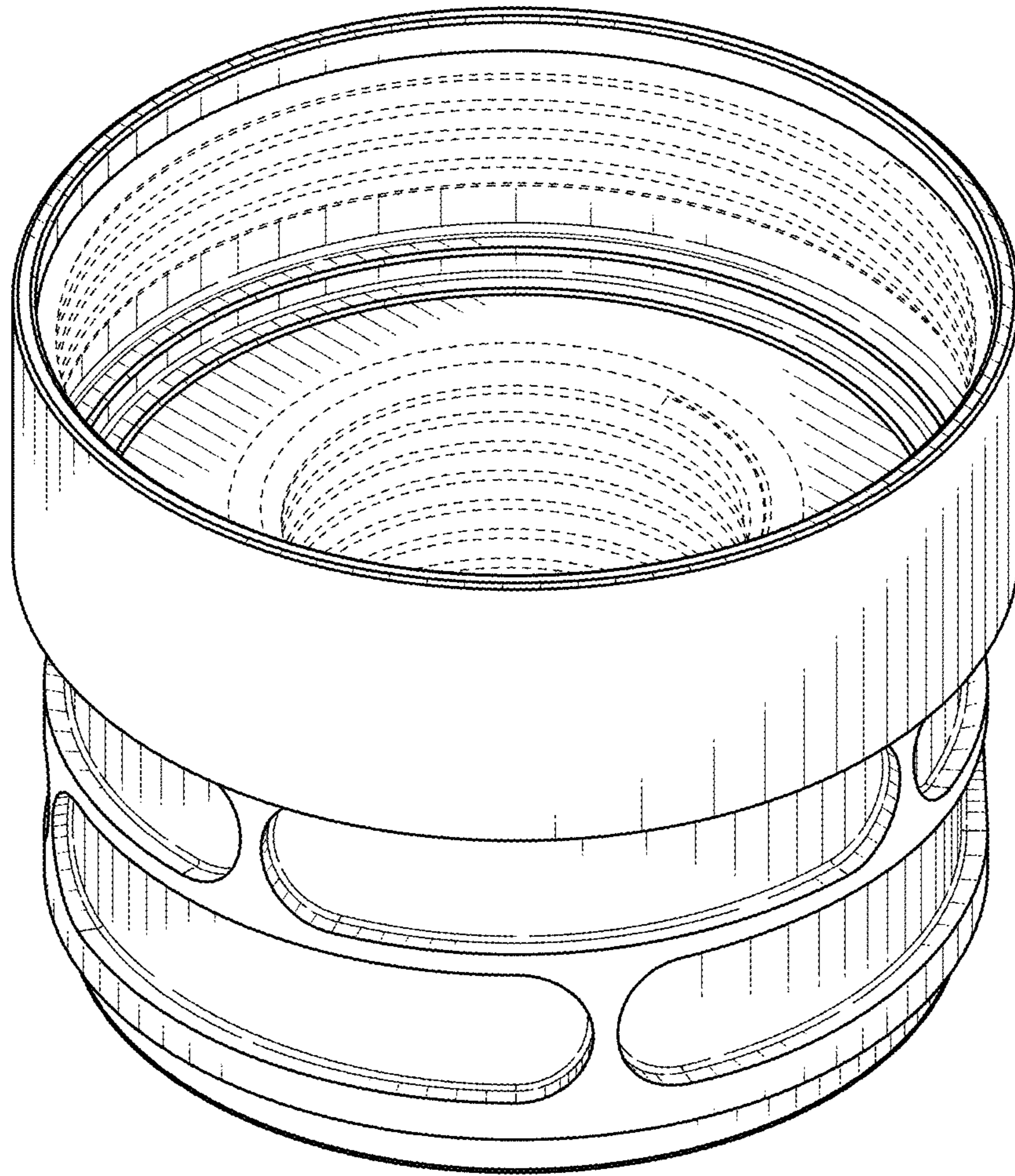


FIG. 1

FIG. 2

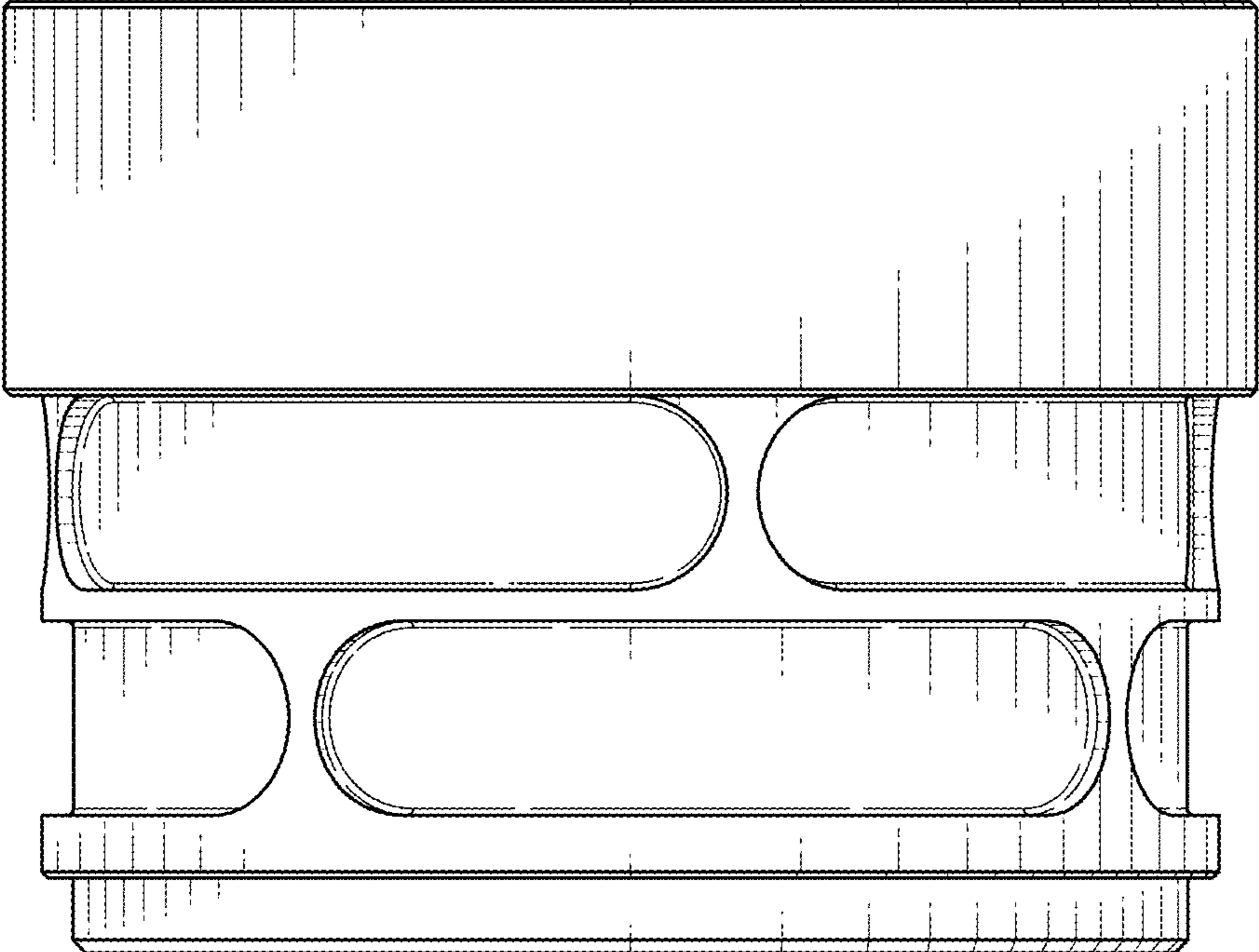
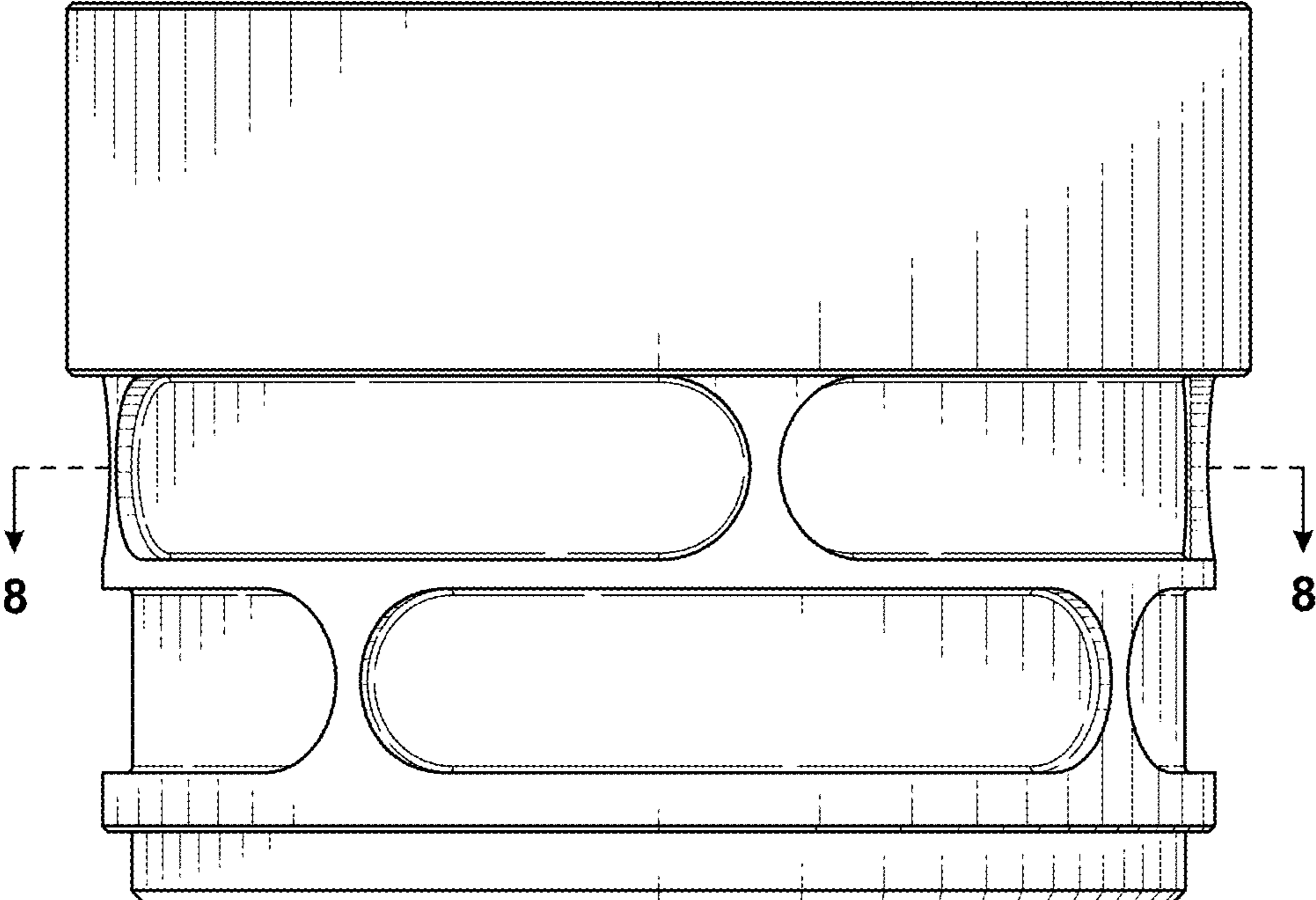


FIG. 3

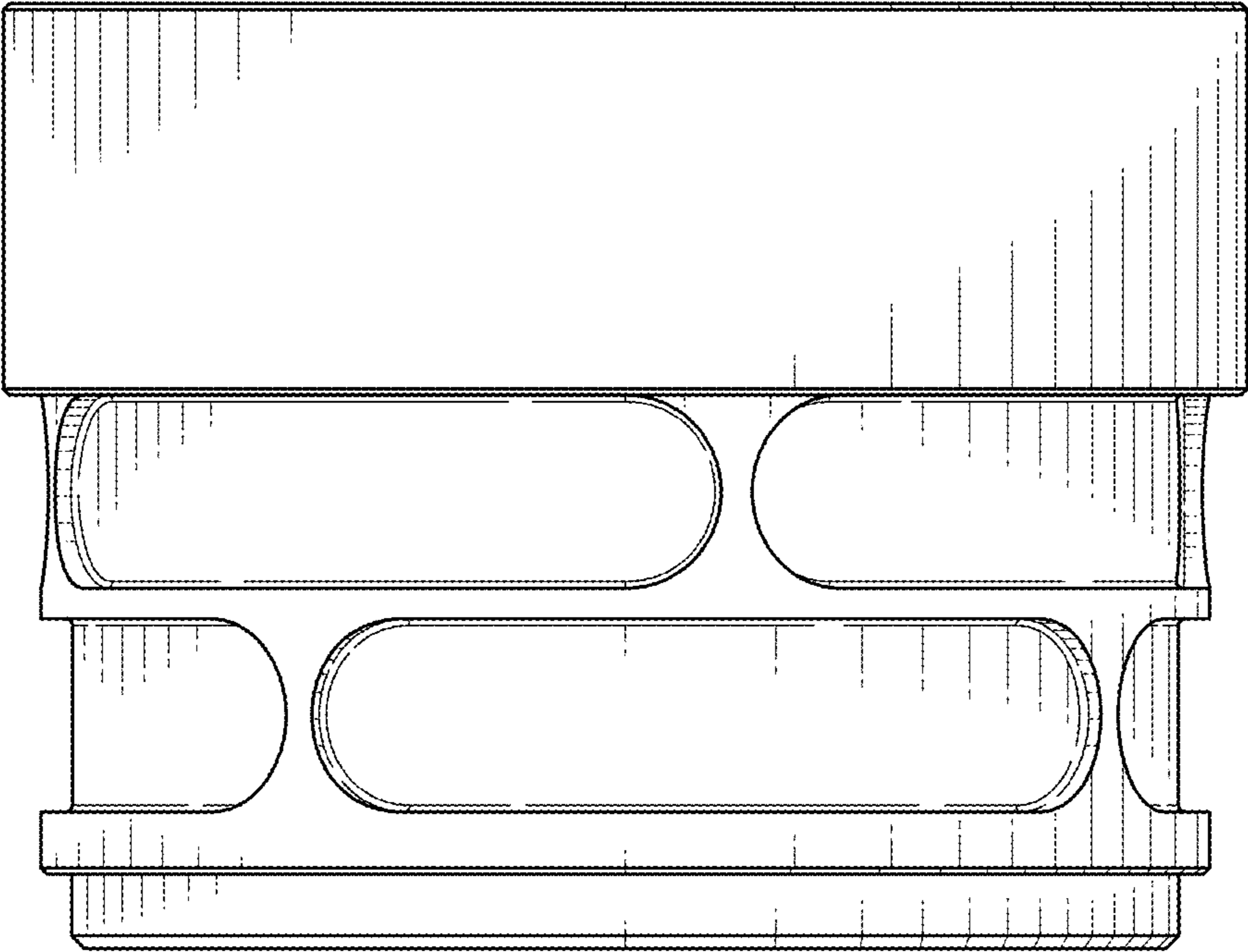


FIG. 4

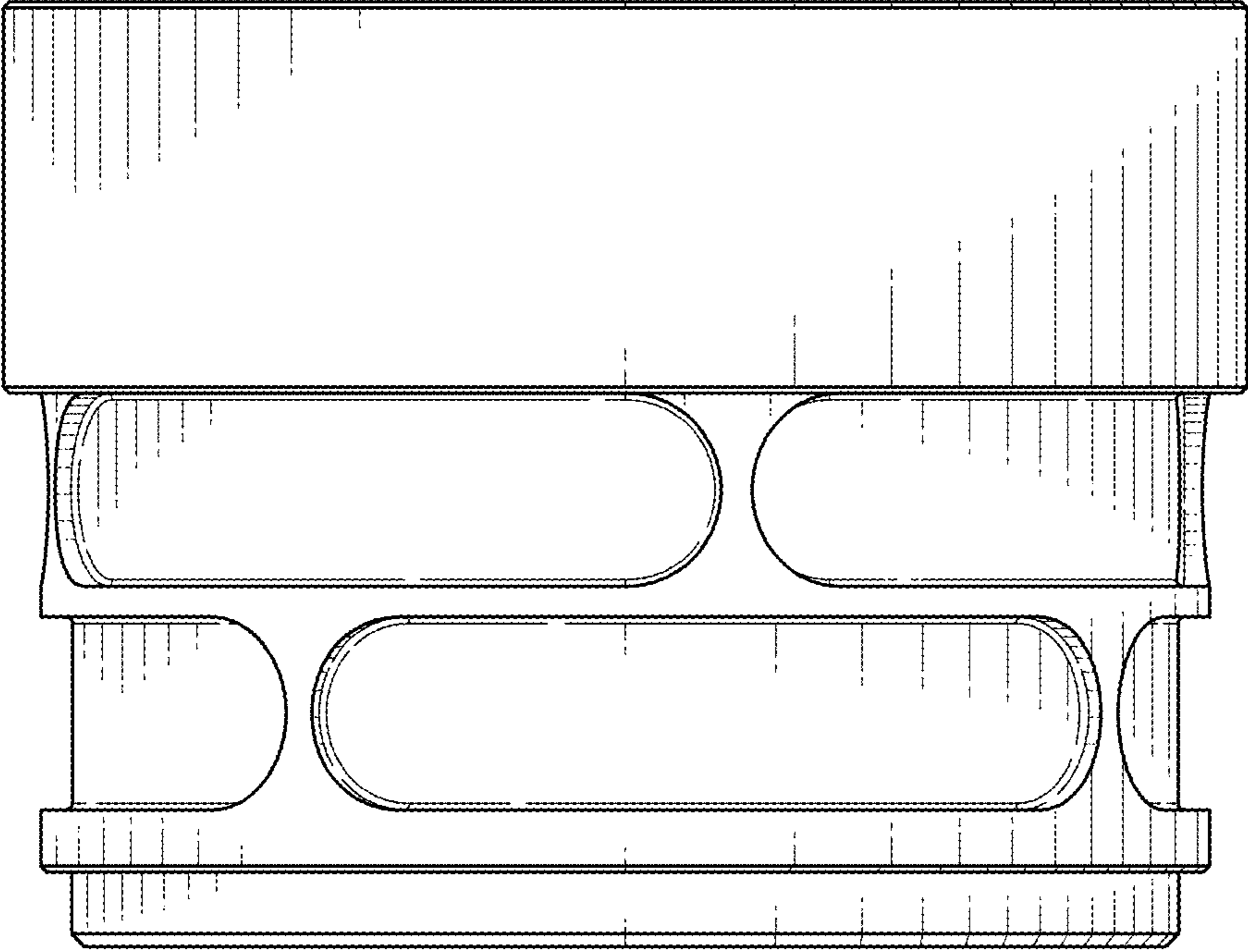


FIG. 5

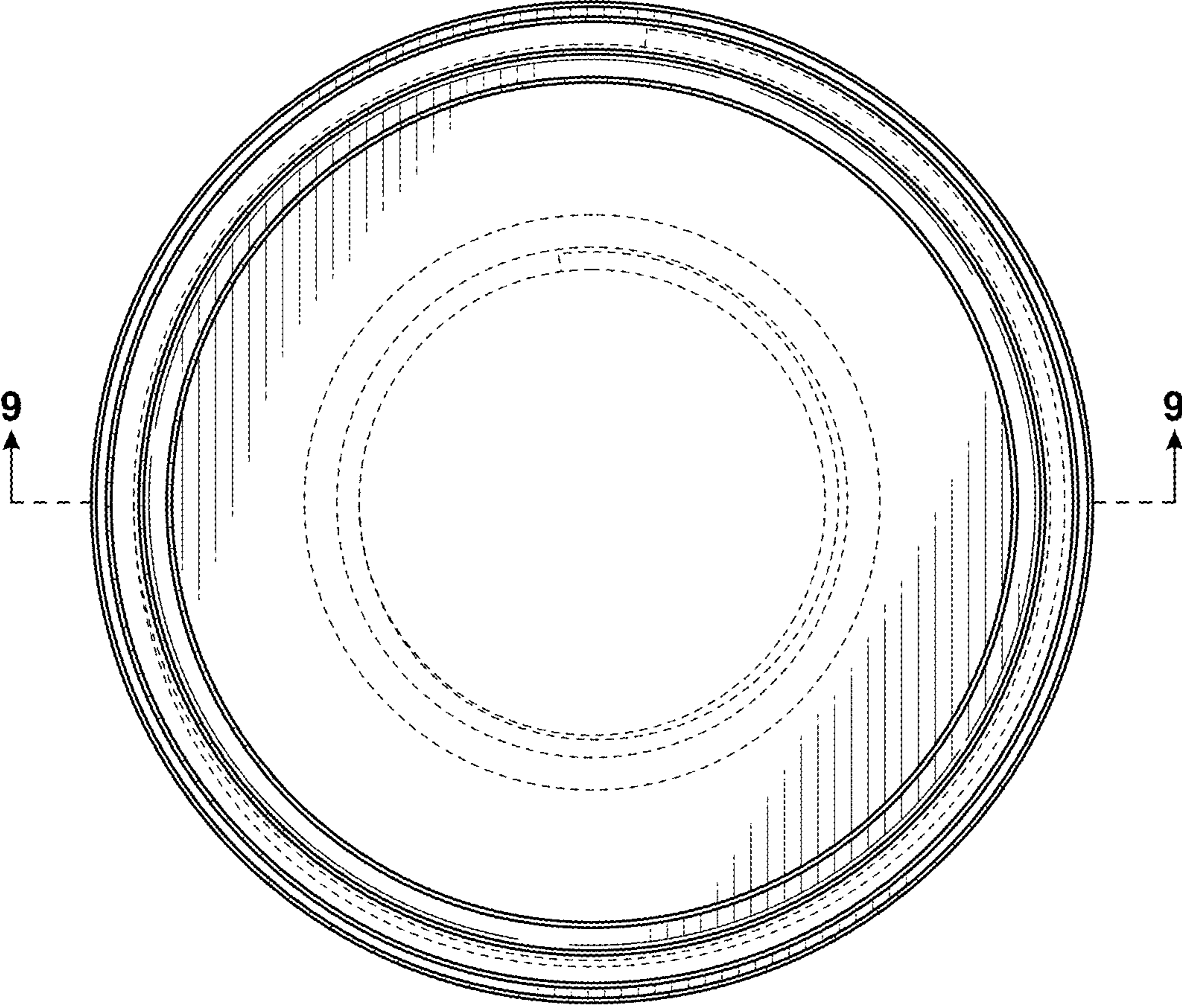


FIG. 6

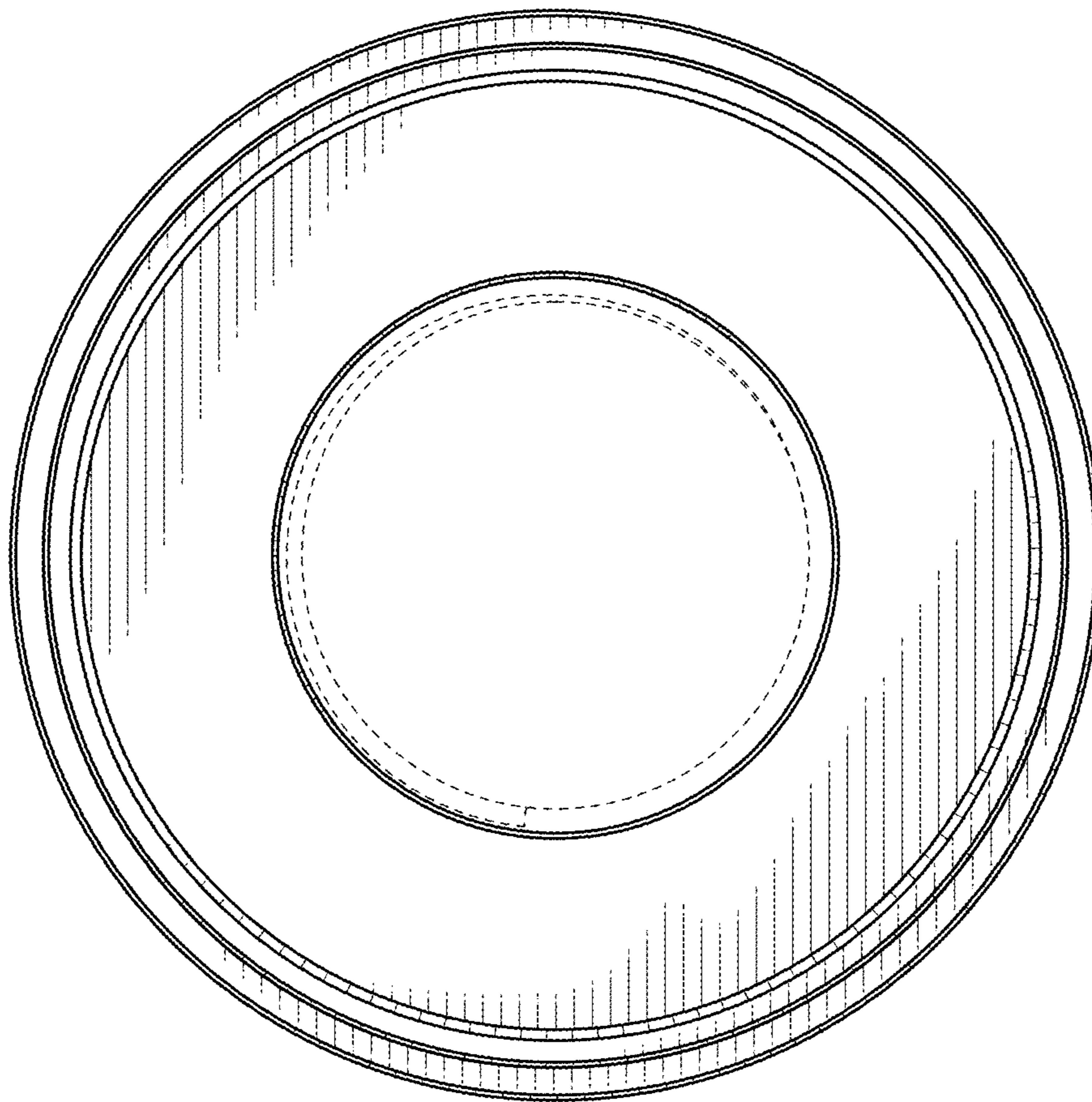


FIG. 7

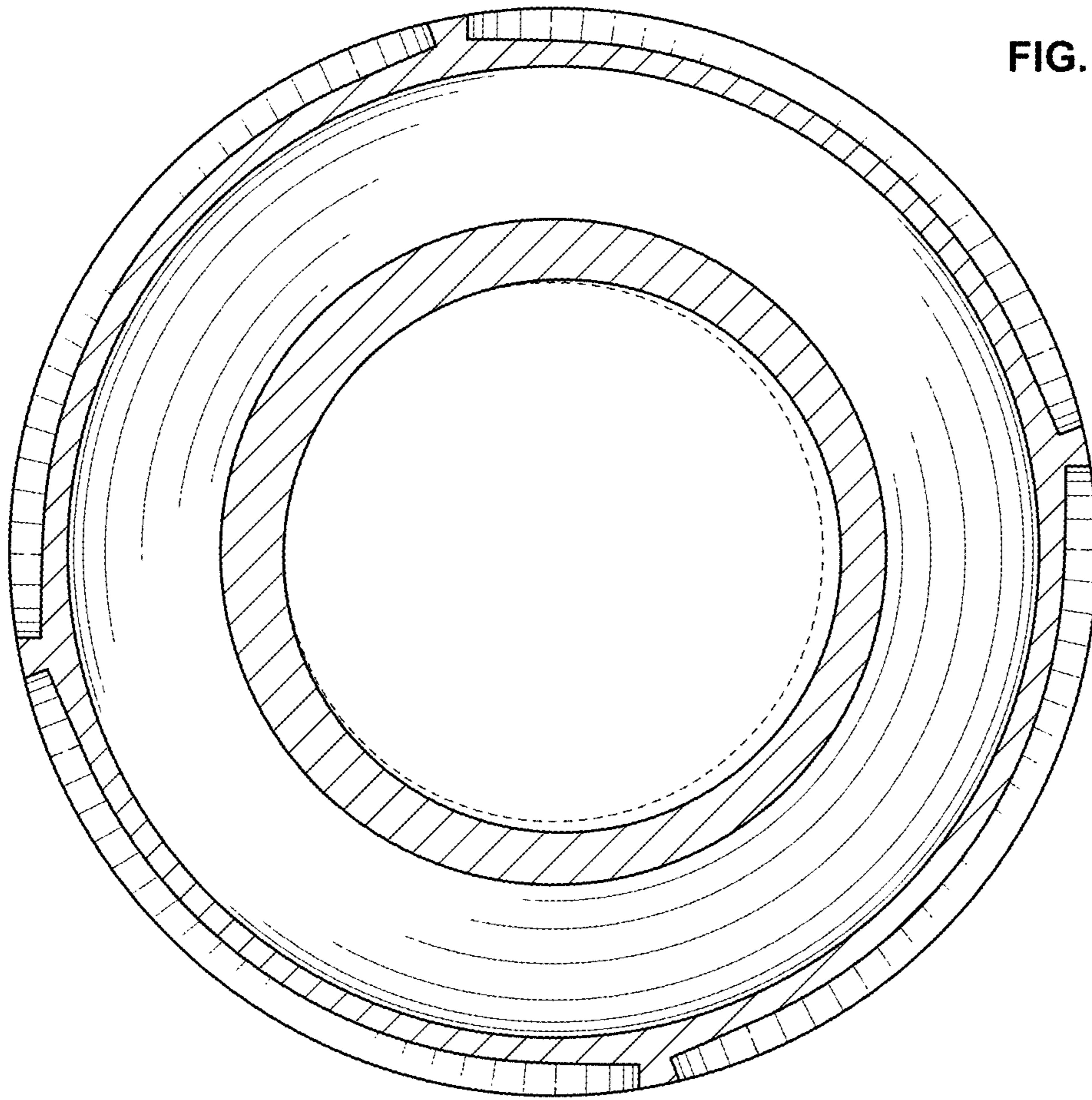


FIG. 8

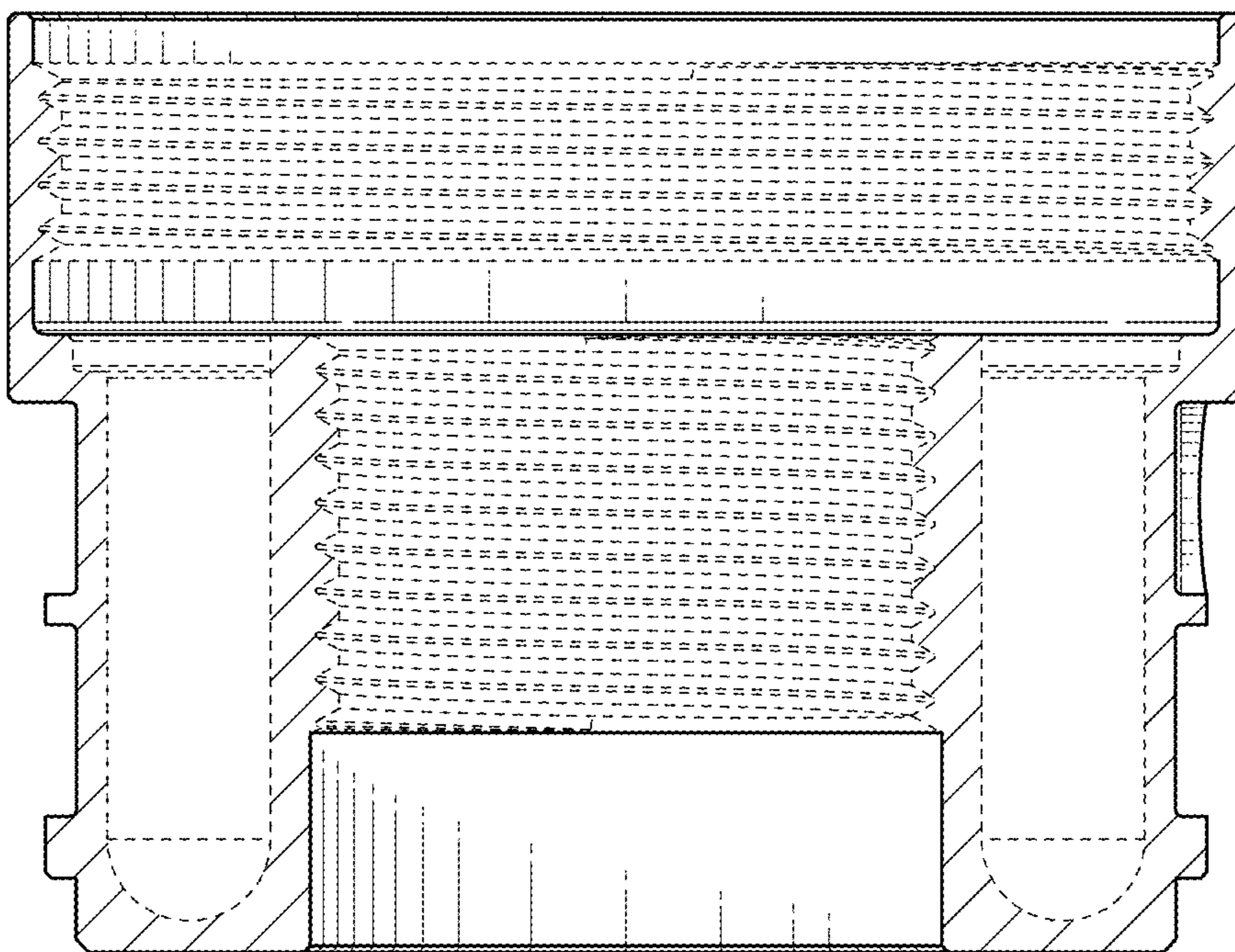


FIG. 9