



US00D886228S

(12) **United States Design Patent**
Rofkahr, Jr. et al.

(10) **Patent No.:** **US D886,228 S**
(45) **Date of Patent:** **** Jun. 2, 2020**

(54) **RECTANGULAR TRIGGER DAMPENING ABSORBER**

(71) Applicants: **James J. Rofkahr, Jr.**, Altus, AR (US);
Michael D. Rofkahr, Ozark, AR (US)

(72) Inventors: **James J. Rofkahr, Jr.**, Altus, AR (US);
Michael D. Rofkahr, Ozark, AR (US)

(**) Term: **15 Years**

(21) Appl. No.: **29/656,072**

(22) Filed: **Jul. 10, 2018**

(51) **LOC (12) Cl.** **22-01**

(52) **U.S. Cl.**
USPC **D22/108**

(58) **Field of Classification Search**
USPC D22/100–111, 115–116, 119–120, 199;
D21/300, 301, 573–575
CPC . F41G 1/02; F41G 1/027; F41G 1/033; F41G
1/06; F41G 3/26; F41C 23/10; F41C
23/16; F41J 1/00
See application file for complete search history.

(56) **References Cited**

U.S. PATENT DOCUMENTS

D321,562 S * 11/1991 Ljungvall 5/646
8,671,484 B1 * 3/2014 Logiodice A47D 15/005
5/655
D719,710 S * 12/2014 Olson D32/40
D732,313 S * 6/2015 Fux D6/601

D770,589 S * 11/2016 Underwood F41A 9/59
D22/108
D807,973 S * 1/2018 Leonardo D21/686
D845,015 S * 4/2019 Milne D6/361

* cited by examiner

Primary Examiner — Khawaja Anwar
Assistant Examiner — Mojtaba Tehrani
(74) *Attorney, Agent, or Firm* — Keisling & Pieper PLC;
David B. Pieper

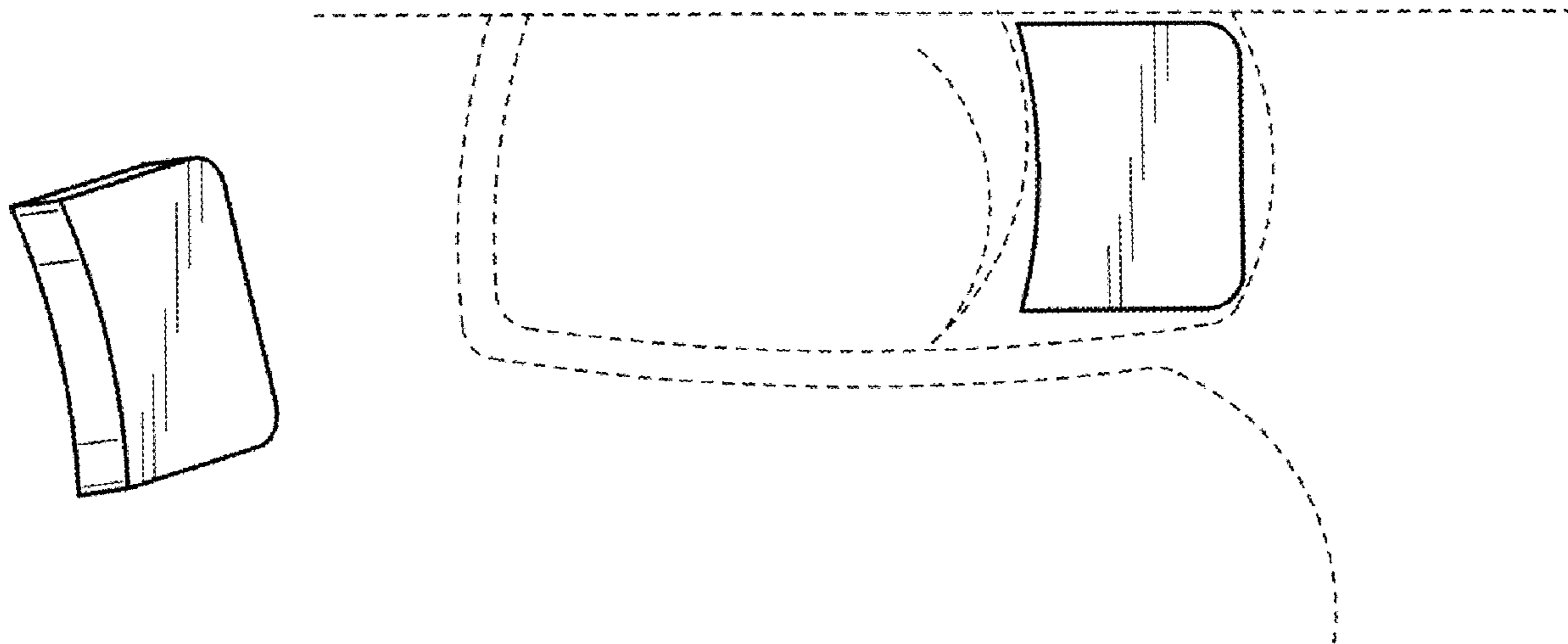
(57) **CLAIM**

The ornamental design for a rectangular trigger dampening absorber, as shown and described.

DESCRIPTION

FIG. 1 is a perspective view of a rectangular trigger dampening absorber, showing our new design; FIG. 2 is another perspective view thereof; FIG. 3 is a top elevational view thereof; FIG. 4 is a left side elevational view thereof; FIG. 5 is a front elevational view thereof; and, FIG. 6 is a right side elevational view thereof; FIG. 7 is a back elevational view thereof; and, FIG. 8 is a bottom elevational view thereof; and, FIG. 9 is an environmental view thereof showing an installation between the trigger mechanism and frame of a gun. The broken lines showing the trigger mechanism and frame of a gun are for the purpose of illustrating environmental structure and form no part of the claimed design.

1 Claim, 1 Drawing Sheet



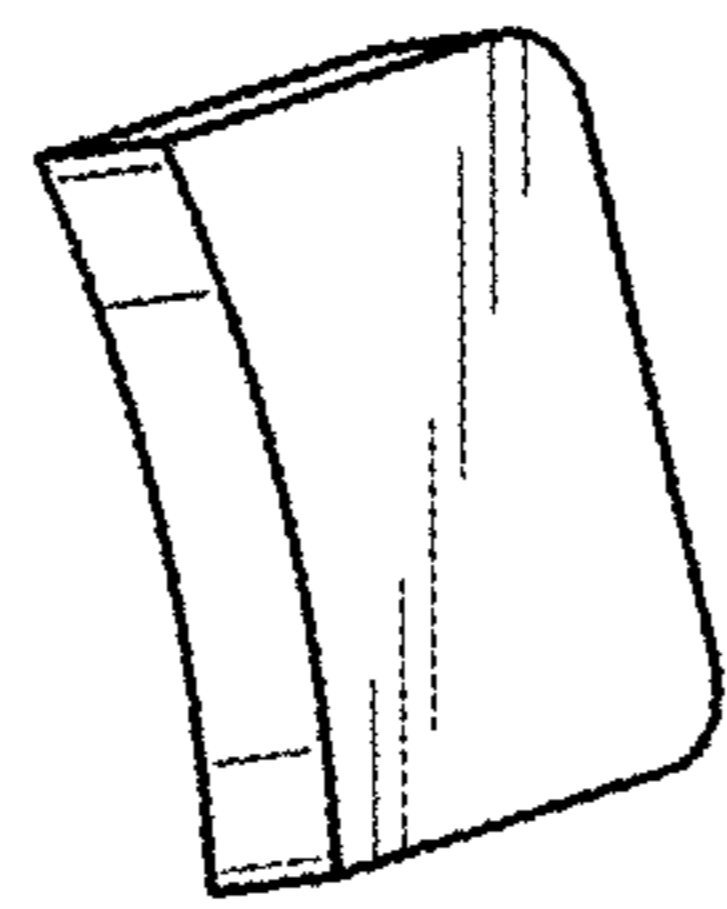


FIG. 1

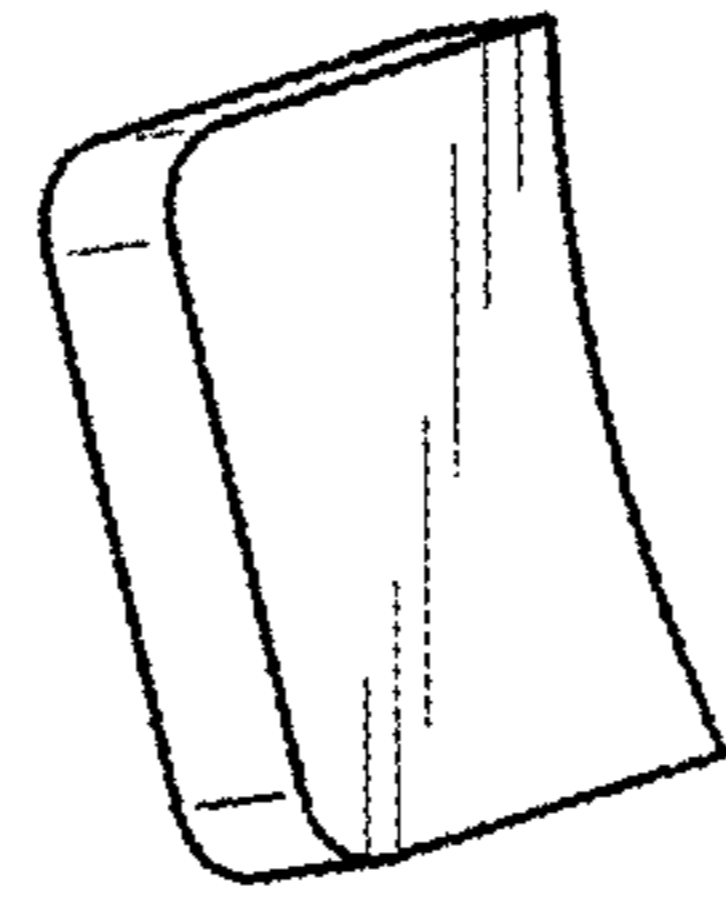


FIG. 2



FIG. 3

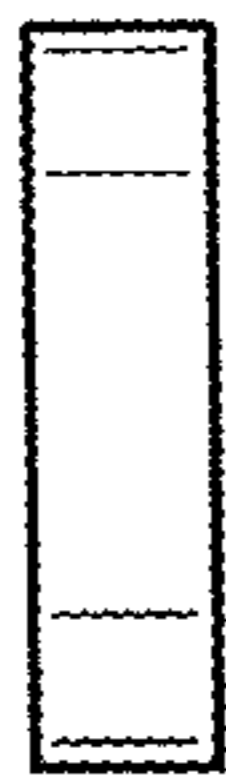


FIG. 4

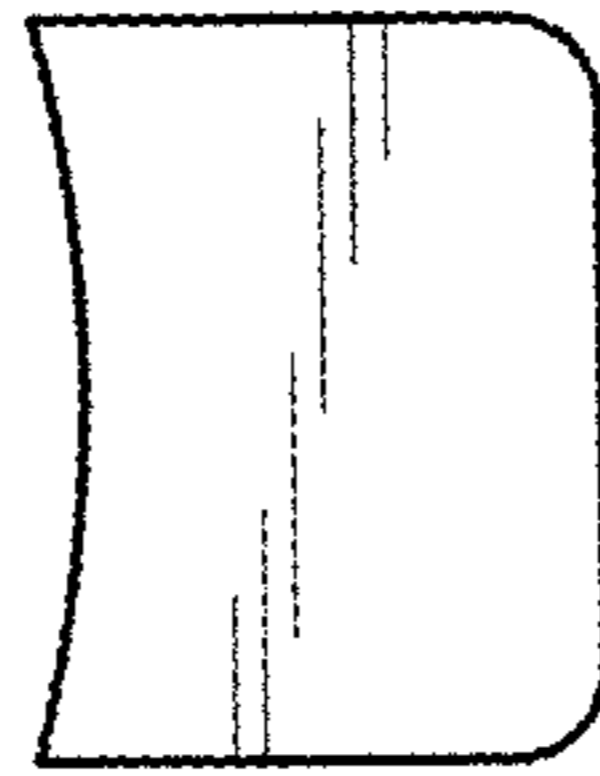


FIG. 5



FIG. 6

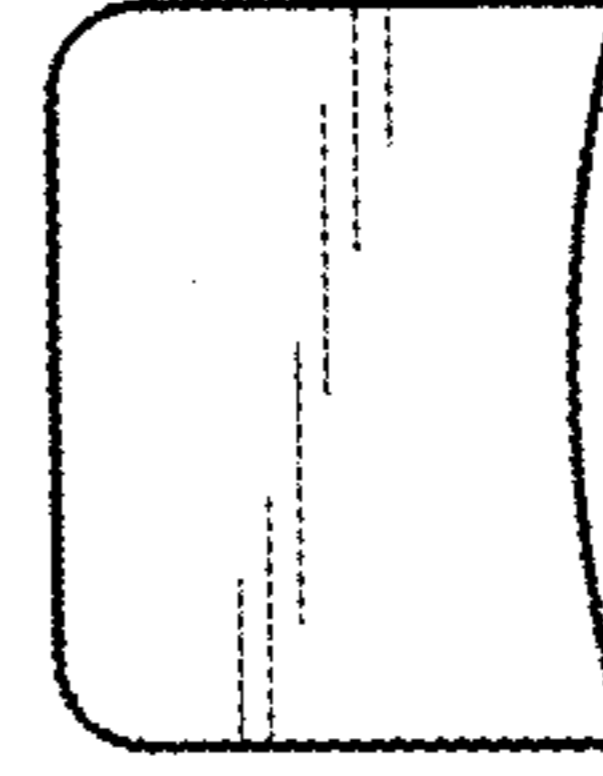


FIG. 7



FIG. 8

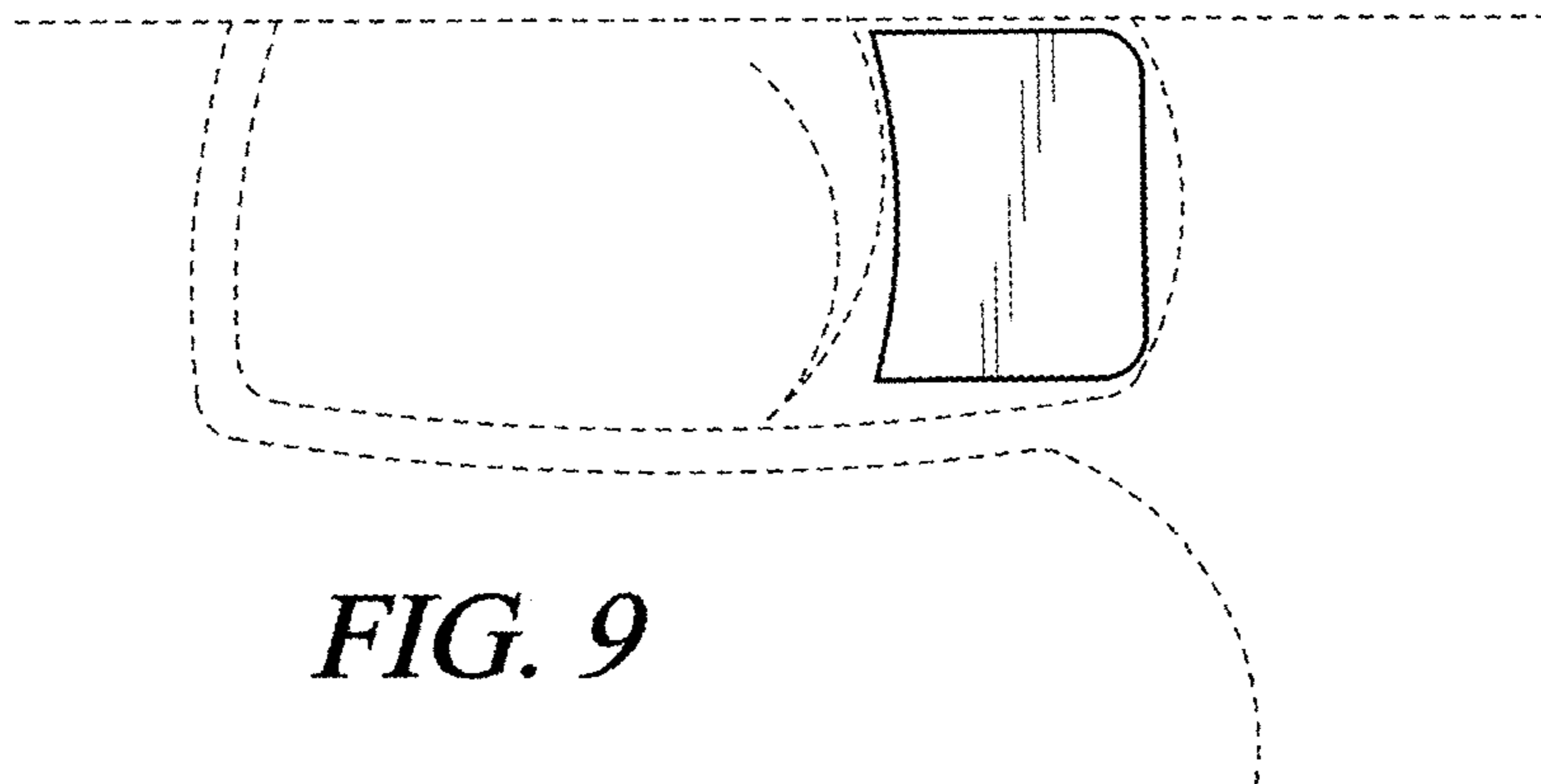


FIG. 9