



US00D886225S

(12) **United States Design Patent**
Geissele

(10) **Patent No.:** **US D886,225 S**
(45) **Date of Patent:** **** Jun. 2, 2020**

(54) **FIREARM TRIGGER**

(71) Applicant: **WHG Properties, LLC**, North Wales, PA (US)

(72) Inventor: **William H. Geissele**, Lower Gwynedd, PA (US)

(73) Assignee: **WHG Properties, LLC**, North Wales, PA (US)

(**) Term: **15 Years**

(21) Appl. No.: **29/636,200**

(22) Filed: **Feb. 7, 2018**

(51) **LOC (12) Cl.** **22-01**

(52) **U.S. Cl.**
USPC **D22/108**

(58) **Field of Classification Search**
USPC D22/103, 107, 108-111, 199;
D21/571-575

CPC F41A 19/10; F41A 19/11; F41A 19/12;
F41A 19/09; F41A 19/00; F41A 17/46;
F41A 17/52; F41A 17/56; F41A 17/62
See application file for complete search history.

(56) **References Cited**

U.S. PATENT DOCUMENTS

D364,207 S *	11/1995	Tuomey	D22/108
6,553,706 B1 *	4/2003	Gancarz	F41A 17/46
				42/69.02
D593,617 S *	6/2009	Dochterman	D21/573
8,646,201 B2 *	2/2014	Hughes	F41A 33/02
				42/114
8,677,665 B1 *	3/2014	Huber	F41A 19/12
				42/69.01
8,966,802 B1 *	3/2015	Findlay	F41A 19/12
				42/69.01
9,194,639 B1 *	11/2015	Malheiros	F41A 19/32
D745,943 S *	12/2015	Geissele	D22/108
D746,402 S *	12/2015	Siddle	D22/108

9,267,751 B2 *	2/2016	Ruiz	F41A 19/12
D750,725 S *	3/2016	Capps	D22/108
9,310,150 B1 *	4/2016	Geissele	F41A 19/16
D777,285 S *	1/2017	Bender	D22/108

(Continued)

FOREIGN PATENT DOCUMENTS

WO WO-2019173070 A1 * 9/2019 F41A 19/00

OTHER PUBLICATIONS

Super 700 Trigger, posted at Geissele Automatics, review posted Mar. 20, 2019. Site visited Sep. 16, 2019. URL: <<https://geissele.com/super-700-two-stage-trigger.html#customer-reviews>> (Year: 2019).*

(Continued)

Primary Examiner — Kevin K Rudzinski

Assistant Examiner — Kathleen L Jones

(74) *Attorney, Agent, or Firm* — Fox Rothschild LLP

(57) **CLAIM**

The ornamental design for a firearm trigger, as shown and described.

DESCRIPTION

FIG. 1 is an isometric view of a firearm trigger according to the present disclosure.

FIG. 2 is a left side view of the firearm trigger of FIG. 1.

FIG. 3 is a right side view of the firearm trigger of FIG. 1.

FIG. 4 is a front view of the firearm trigger of FIG. 1.

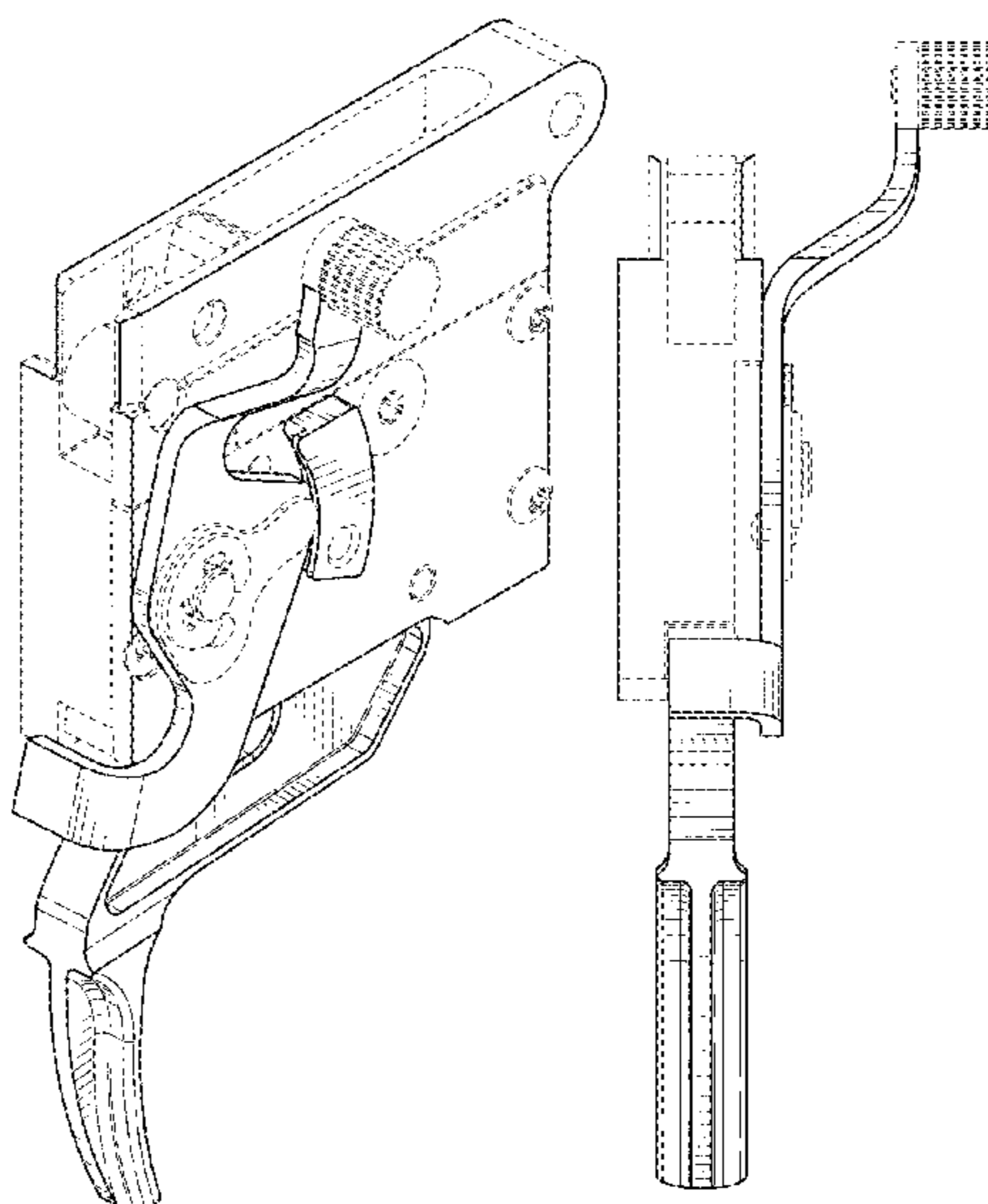
FIG. 5 is a rear view of the firearm trigger of FIG. 1.

FIG. 6 is a top view of the firearm trigger of FIG. 1; and,

FIG. 7 is a bottom view of the firearm trigger of FIG. 1.

The unevenly-spaced broken lines in FIG. 2 are included to show the boundary of the claimed design and form no part thereof. The evenly-spaced broken lines throughout the Figures illustrate portions of the article that form no part of the claimed design.

1 Claim, 4 Drawing Sheets



(56)

References Cited

U.S. PATENT DOCUMENTS

9,927,197 B1 * 3/2018 Geissele F41A 19/10
10,006,734 B1 * 6/2018 Findlay F41A 19/12
D828,895 S * 9/2018 Geissele D22/108
D833,562 S * 11/2018 Geissele D22/108
10,156,409 B1 * 12/2018 Laney F41A 19/10
10,393,459 B2 * 8/2019 Tompkins F41A 19/15
10,401,107 B2 * 9/2019 Martinez F41A 19/14
10,458,736 B2 * 10/2019 Galie F41A 19/58
10,514,223 B1 * 12/2019 Rounds F41A 19/12
2015/0338182 A1 * 11/2015 Lipowski F41B 5/1469
124/23.1
2016/0084600 A1 * 3/2016 Siddle F41A 19/31
42/69.01
2016/0305730 A1 * 10/2016 Dextraze F41A 19/10
2017/0089655 A1 * 3/2017 Geissele F41A 19/46
2017/0191776 A1 * 7/2017 Dextraze F41A 19/10
2017/0321983 A1 * 11/2017 Bender F41A 19/14
2018/0112944 A1 * 4/2018 Underwood F41A 17/28
2019/0257606 A1 * 8/2019 Olson F41A 17/46
2019/0271518 A1 * 9/2019 McKillips F41A 19/10
2020/0025488 A1 * 1/2020 Alicea, Jr. F41A 19/69

OTHER PUBLICATIONS

Bix'n Andy TacSport Rem700 Single Stage Trigger—Top Safety, posted at BulletCentral, review posted Sep. 11, 2017. Site visited Sep. 16, 2019. URL: <<https://bulletcentral.com/product/bixn-andy-tacsport-rem700-single-stage-trigger-top-safety/#reviews>> (Year: 2017).*

Rem 700 Diamond Trigger, posted at TriggerTech, review posted Nov. 9, 2017. Site visited Sep. 16, 2019. URL: <<https://triggertech.com/products/diamond#shopify-product-reviews>> (Year: 2017).*

* cited by examiner

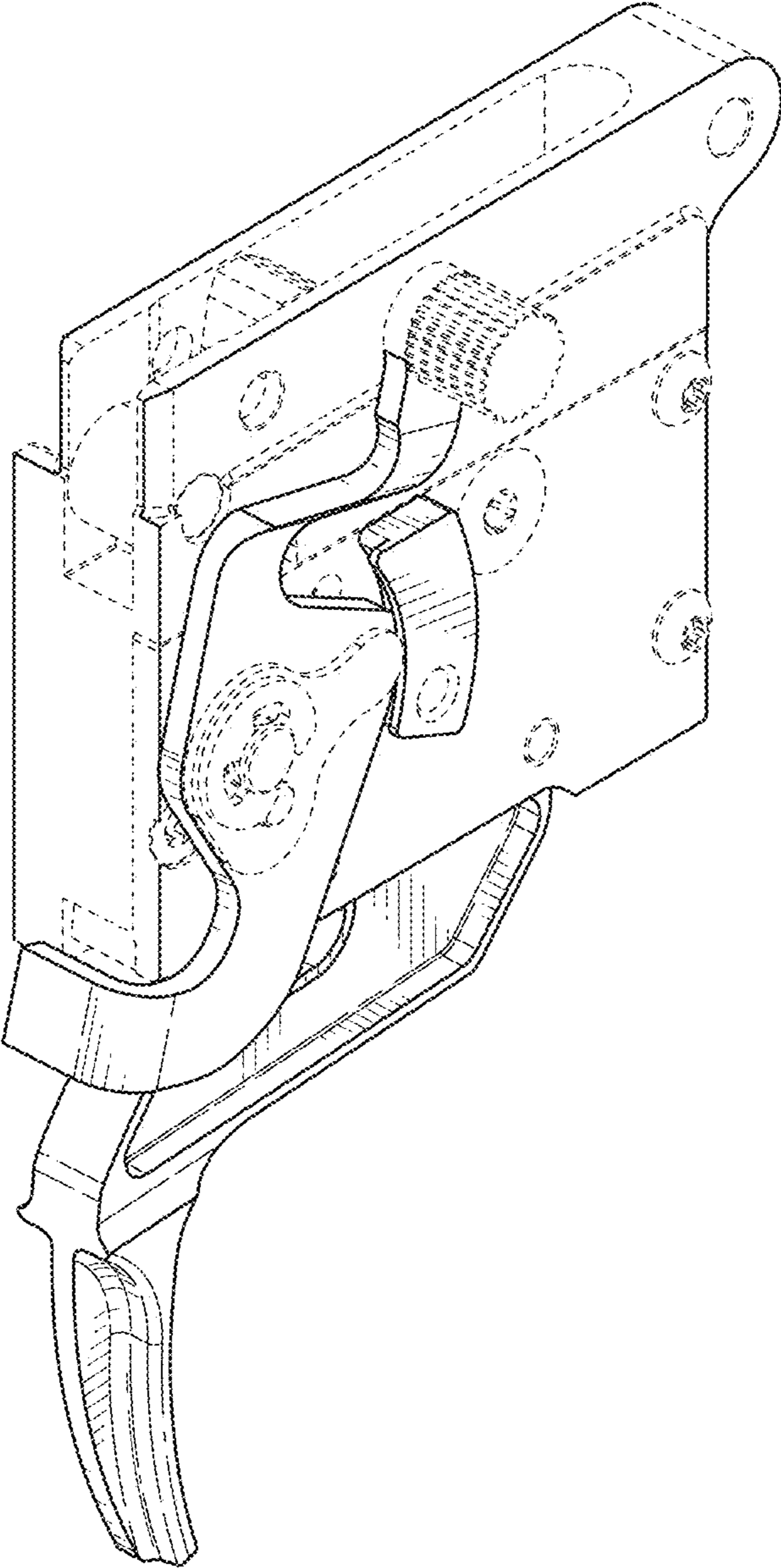


FIG. 1

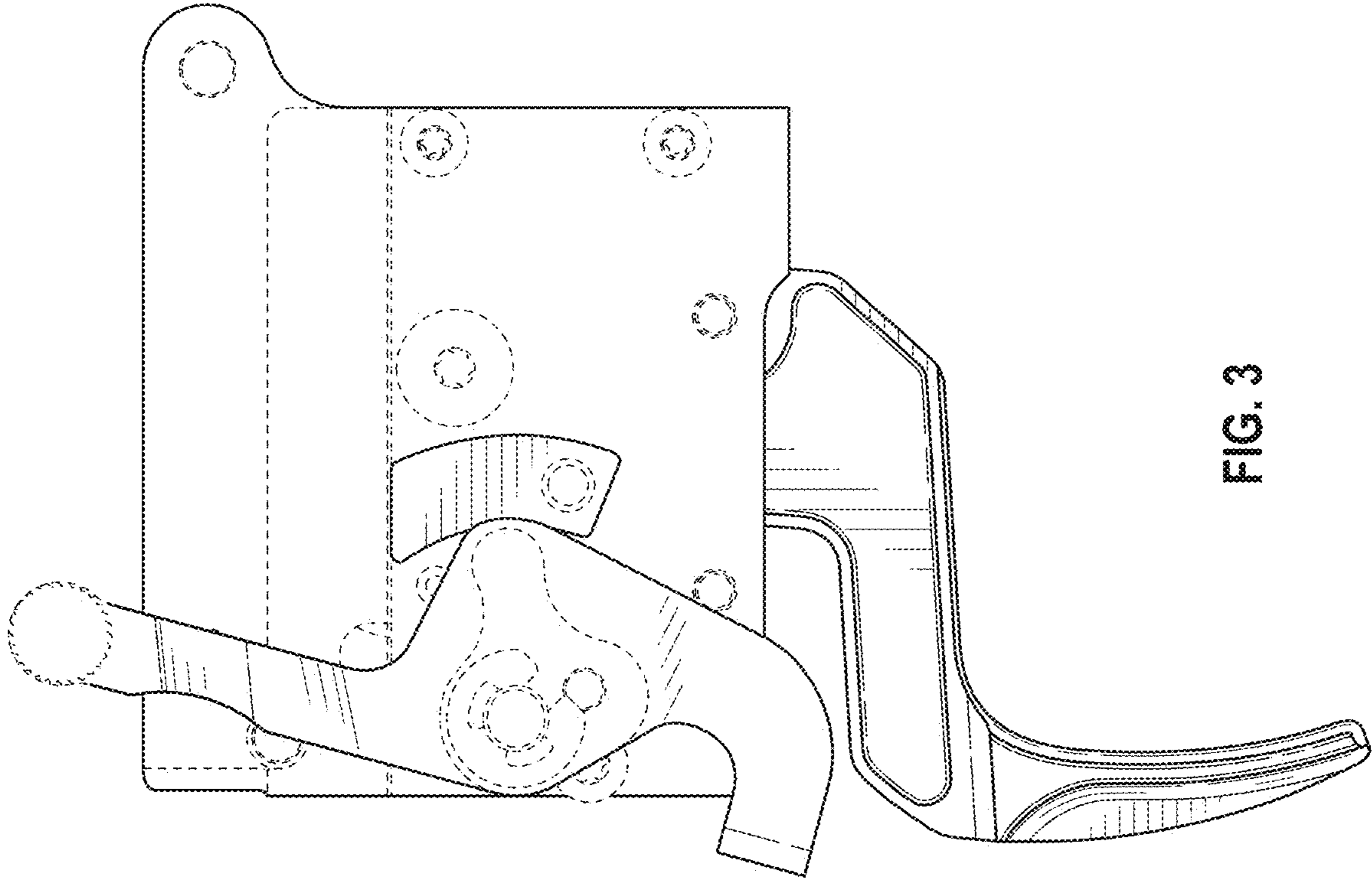


FIG. 3

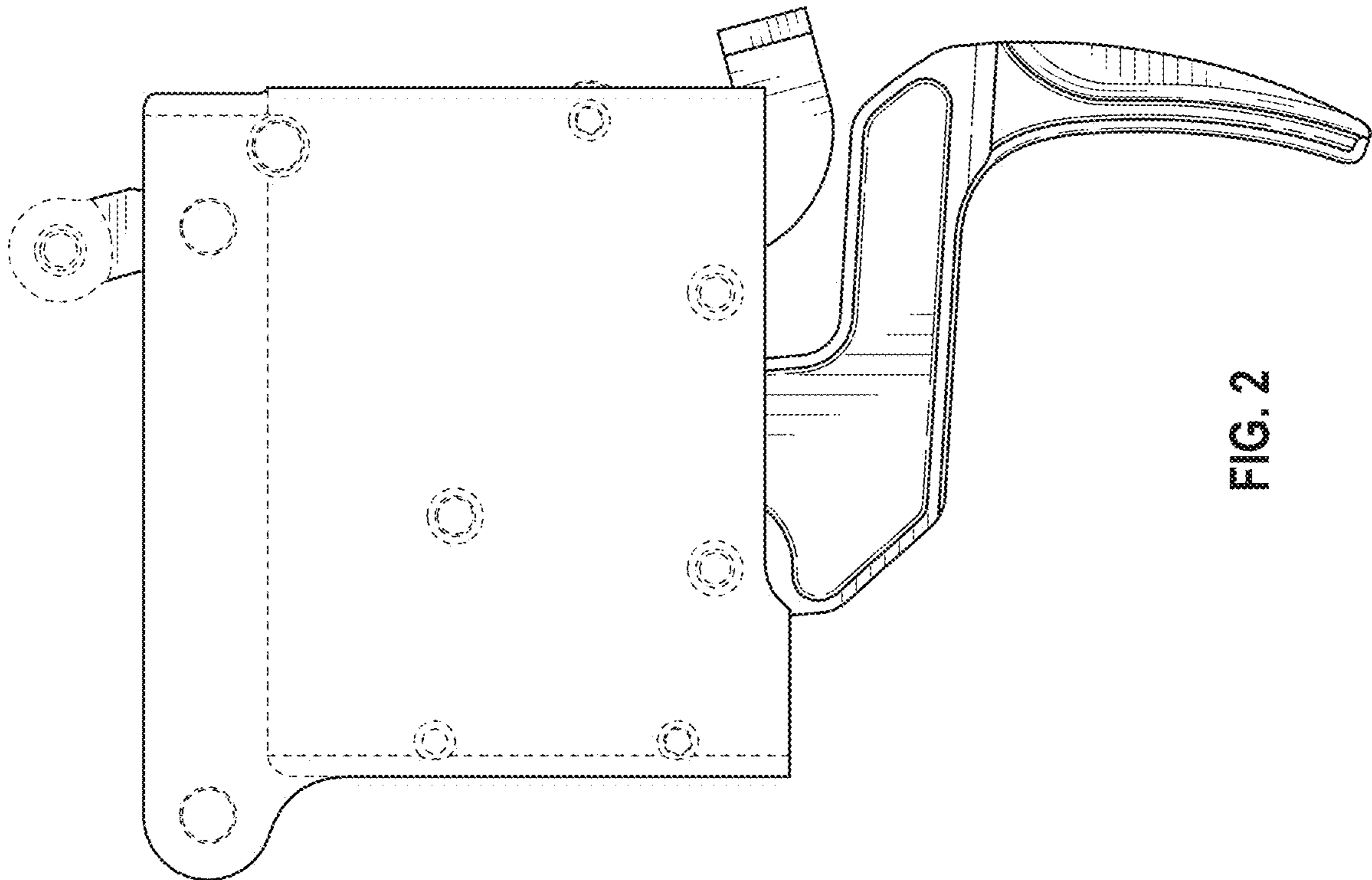


FIG. 2

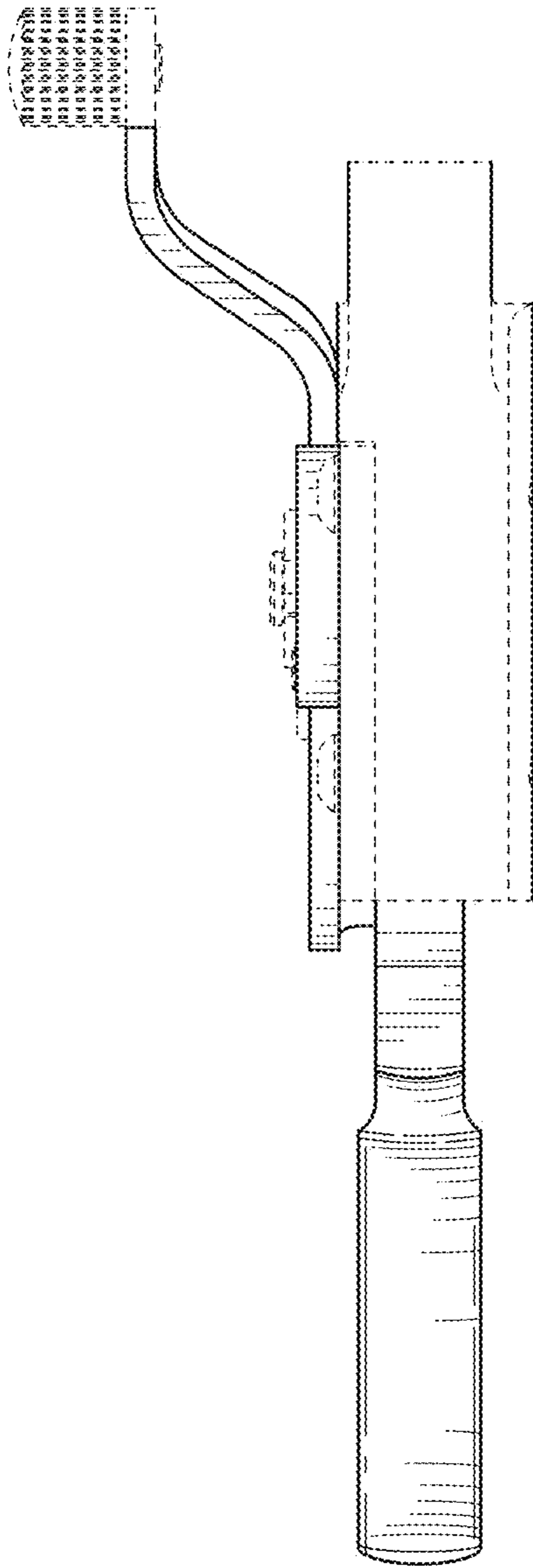


FIG. 4

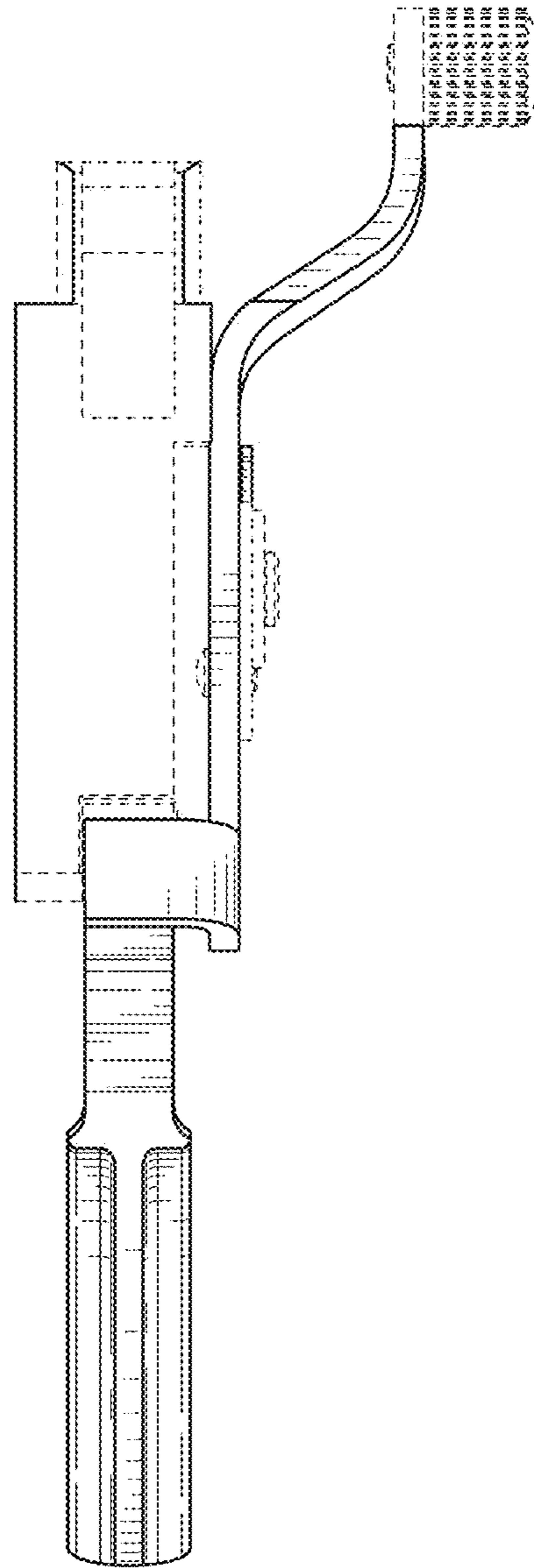


FIG. 5

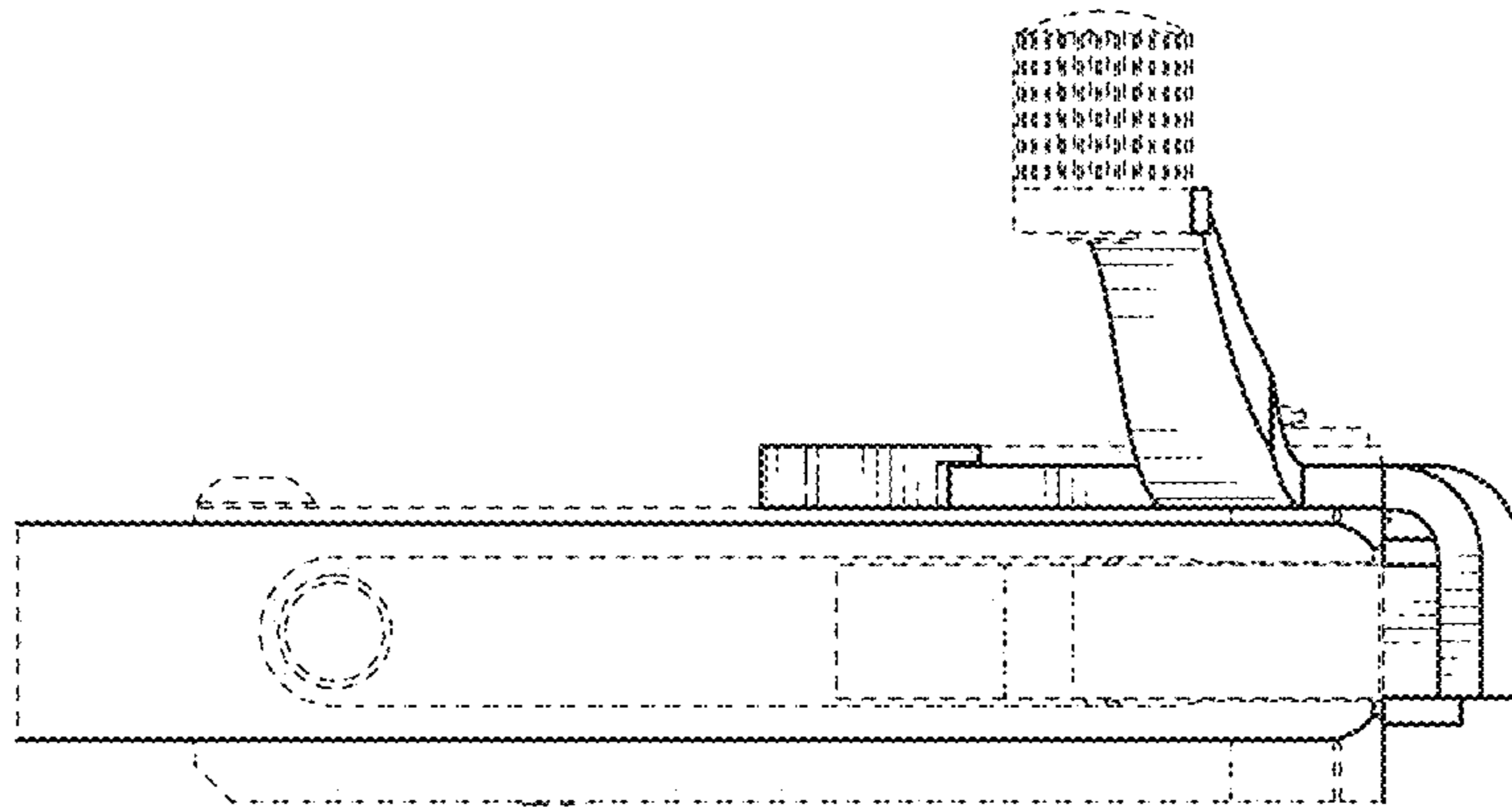


FIG. 6

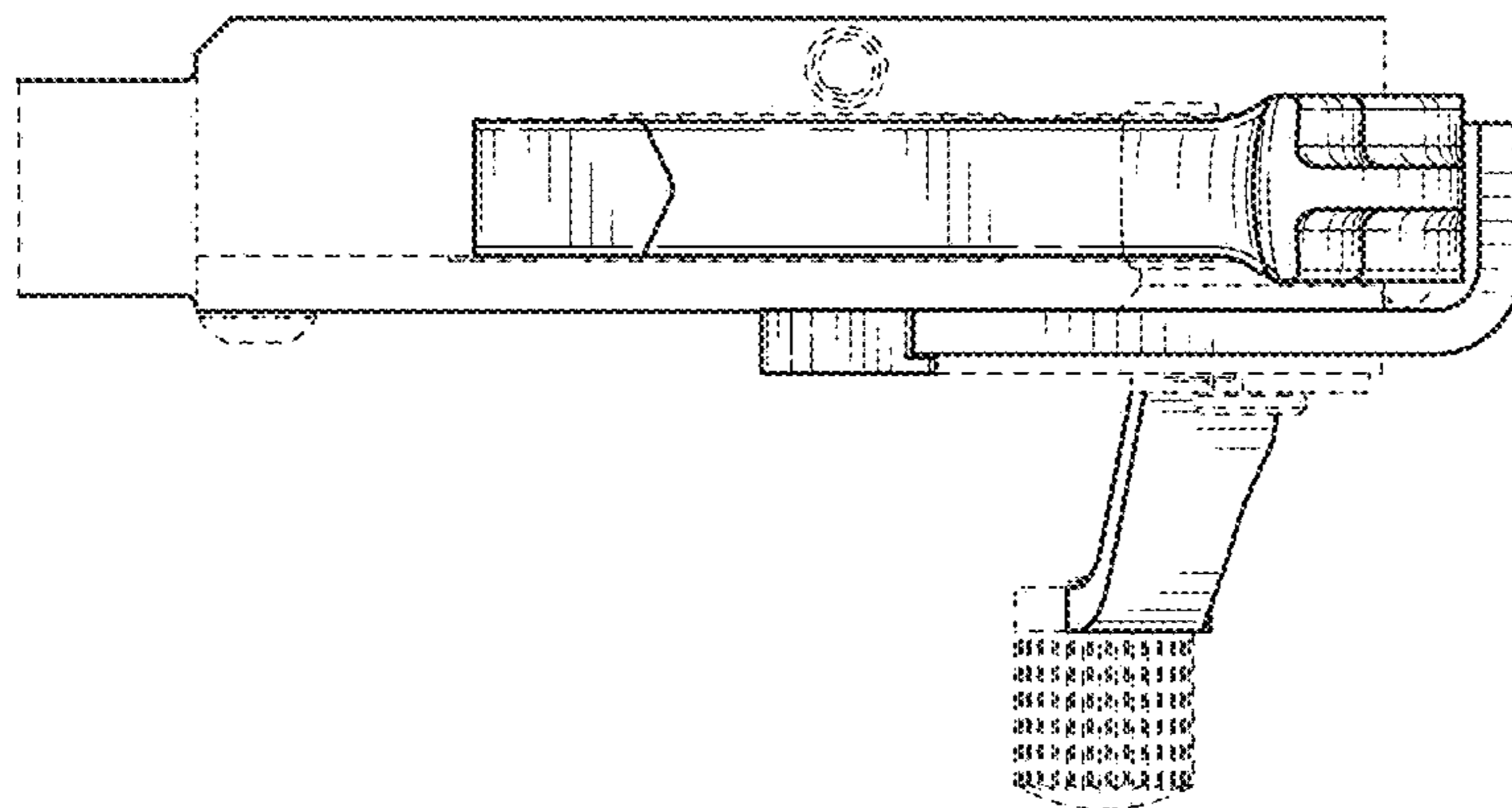


FIG. 7