



US00D886222S

(12) **United States Design Patent**
Griffiths

(10) **Patent No.:** **US D886,222 S**

(45) **Date of Patent:** **** Jun. 2, 2020**

(54) **REBOUNDER CLIP**
(71) Applicant: **Maximus Life Limited**, Camberley,
Surrey (GB)
(72) Inventor: **Edward Griffiths**, Weybridge (GB)
(73) Assignee: **MAXIMUS LIFE LIMITED**,
Camberley, Surrey (GB)

D287,816 S * 1/1987 Chasen 248/205.3
D289,139 S * 4/1987 Chasen D6/323
5,033,169 A * 7/1991 Bindon F16G 11/00
24/115 H
D344,010 S * 2/1994 Brazis D8/367
5,383,259 A 1/1995 McIntire
D386,389 S * 11/1997 Hofman D8/367
6,053,845 A 4/2000 Publicover
D464,868 S * 10/2002 Yip D8/367
6,543,094 B2 * 4/2003 D'Addario F16L 3/233
24/16 PB
7,181,809 B1 2/2007 Kuo
7,264,245 B2 * 9/2007 Cho A63B 69/0097
273/396
D552,456 S 10/2007 Selby
D583,653 S * 12/2008 Thompson D8/367

(**) Term: **15 Years**

(21) Appl. No.: **29/659,876**

(22) Filed: **Aug. 13, 2018**

(51) **LOC (12) Cl.** **21-02**

(52) **U.S. Cl.**
USPC **D21/797**

(58) **Field of Classification Search**
USPC D21/797, 668, 669, 834, 826, 688;
D6/582-594, 716; 482/27, 35, 29, 112,
482/33, 110, 148, 28, 77, 147, 51;
297/23, 26, 452.18; 135/96, 117;
D30/112; D25/1, 16, 22, 56; 446/220;
473/469; 182/139, 224; 273/395, 402;
D8/21, 29, 14, 382, 367, 373, 383, 394,
D8/356; 81/124.6, 63.1, 177.85, 125.1,
81/177.2; D12/118, 178; 285/133.21,
285/197, 319, 921; 403/170, 217, 326,
403/28, 188, 230; D11/212, 218
CPC A63B 5/11; A63B 21/023; A63B 21/0552;
F16B 45/00
See application file for complete search history.

(56) **References Cited**

U.S. PATENT DOCUMENTS

3,058,184 A * 10/1962 Ritzheimer B66C 1/14
24/115 R
3,683,465 A * 8/1972 Wernsing F16G 11/14
24/115 R

(Continued)

Primary Examiner — Ryan Harvey
(74) *Attorney, Agent, or Firm* — Craft Chu PLLC;
Andrew W. Chu

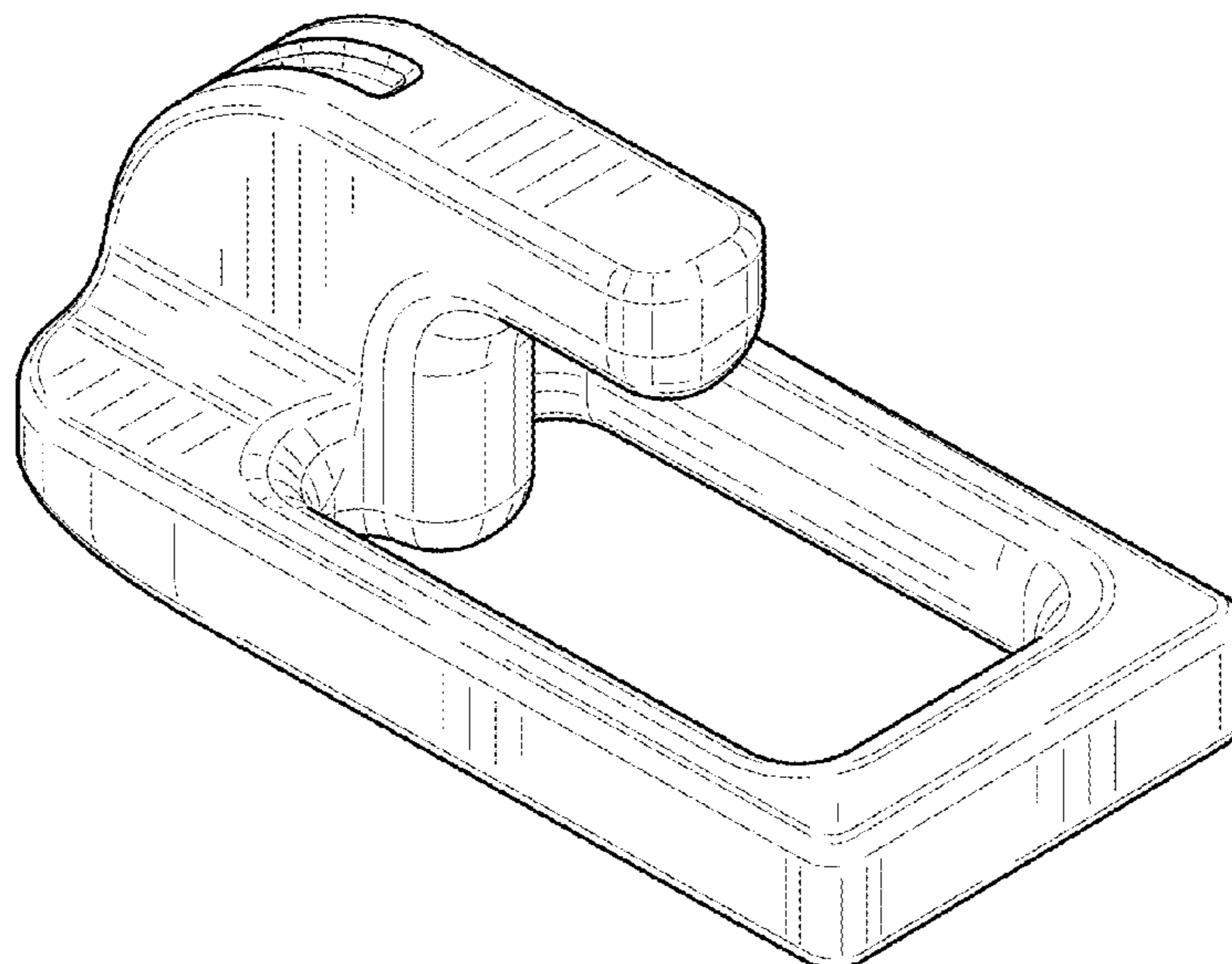
(57) **CLAIM**

The ornamental design for a rebounder clip, as shown and described.

DESCRIPTION

FIG. 1 is an upper perspective view of the rebounder clip showing my design.
FIG. 2 is a top plan view thereof;
FIG. 3 is a bottom plan view thereof;
FIG. 4 is a side elevation view thereof;
FIG. 5 is an opposite side elevation view thereof;
FIG. 6 is front elevation view thereof;
FIG. 7 is a back elevation view thereof;
FIG. 8 is another upper perspective view thereof, showing a bungee cord and trampoline frame in broken lines; and,
FIG. 9 is a lower perspective view thereof, showing a bungee cord and trampoline frame in broken lines.
The portions in broken lines indicate environment and form no part of the claimed design.

1 Claim, 3 Drawing Sheets



(56)

References Cited

U.S. PATENT DOCUMENTS

7,678,024 B2 *	3/2010	Alexander	A63B 5/11 482/27
D614,995 S *	5/2010	Pontaoe	D11/212
D625,986 S *	10/2010	Kolasa	D8/356
D633,377 S *	3/2011	Chan	D8/383
D633,378 S *	3/2011	Chan	D8/383
D635,452 S *	4/2011	Jones	D8/383
D646,557 S *	10/2011	Chan	D8/367
D670,601 S *	11/2012	Paik	D11/218
D680,804 S *	4/2013	Gilboe	D7/367
D682,663 S *	5/2013	Evon	D8/367
D691,027 S *	10/2013	Rainer	D8/356
D692,290 S *	10/2013	Stanesic et al.	
D709,355 S *	7/2014	Berger	D8/356
D711,725 S *	8/2014	Bainbridge	D8/356
D714,129 S *	9/2014	Bainbridge	D8/356
D714,622 S *	10/2014	Pan	D8/367
D714,623 S *	10/2014	Pan	D8/367
D729,046 S *	5/2015	Paik	D8/367
D765,494 S *	9/2016	Chan	D8/356
D766,072 S *	9/2016	Chan	D8/356
D824,378 S *	7/2018	Sukphisit	D14/253
D832,692 S *	11/2018	Wu	D8/383
D833,264 S *	11/2018	Wu	D8/383
10,173,090 B2 *	1/2019	Heymans	A63B 5/11
D839,724 S *	2/2019	Chen	D8/383
D842,080 S *	3/2019	Wright	D8/367
D842,081 S *	3/2019	Thompson	D8/367
D842,082 S *	3/2019	Thompson	D8/367
D851,190 S *	6/2019	Seaman	D21/797
D852,612 S *	7/2019	Paik	D8/394
D872,567 S *	1/2020	Bond	D8/373
10,532,238 B2 *	1/2020	Publicover	A63B 5/11
2003/0223808 A1 *	12/2003	Kuo	A63B 21/0552 403/220
2005/0113213 A1 *	5/2005	Alexander	A63B 5/11 482/27
2010/0009812 A1 *	1/2010	Pieper Genannt Schmauck	A63B 5/11 482/27
2013/0005491 A1 *	1/2013	Cox	B26B 27/00 470/183
2013/0316876 A1 *	11/2013	Publicover	A63B 5/11 482/27
2016/0296782 A1 *	10/2016	Dai	A63B 5/11
2017/0350154 A1 *	12/2017	Chan	E04H 15/32
2018/0353789 A1 *	12/2018	Tseng	A63B 1/00
2019/0143164 A1 *	5/2019	Bisang	A63B 5/11
2019/0154115 A1 *	5/2019	Mehr	A63B 5/11
2020/0055439 A1 *	2/2020	Ruan	B60P 3/00

* cited by examiner

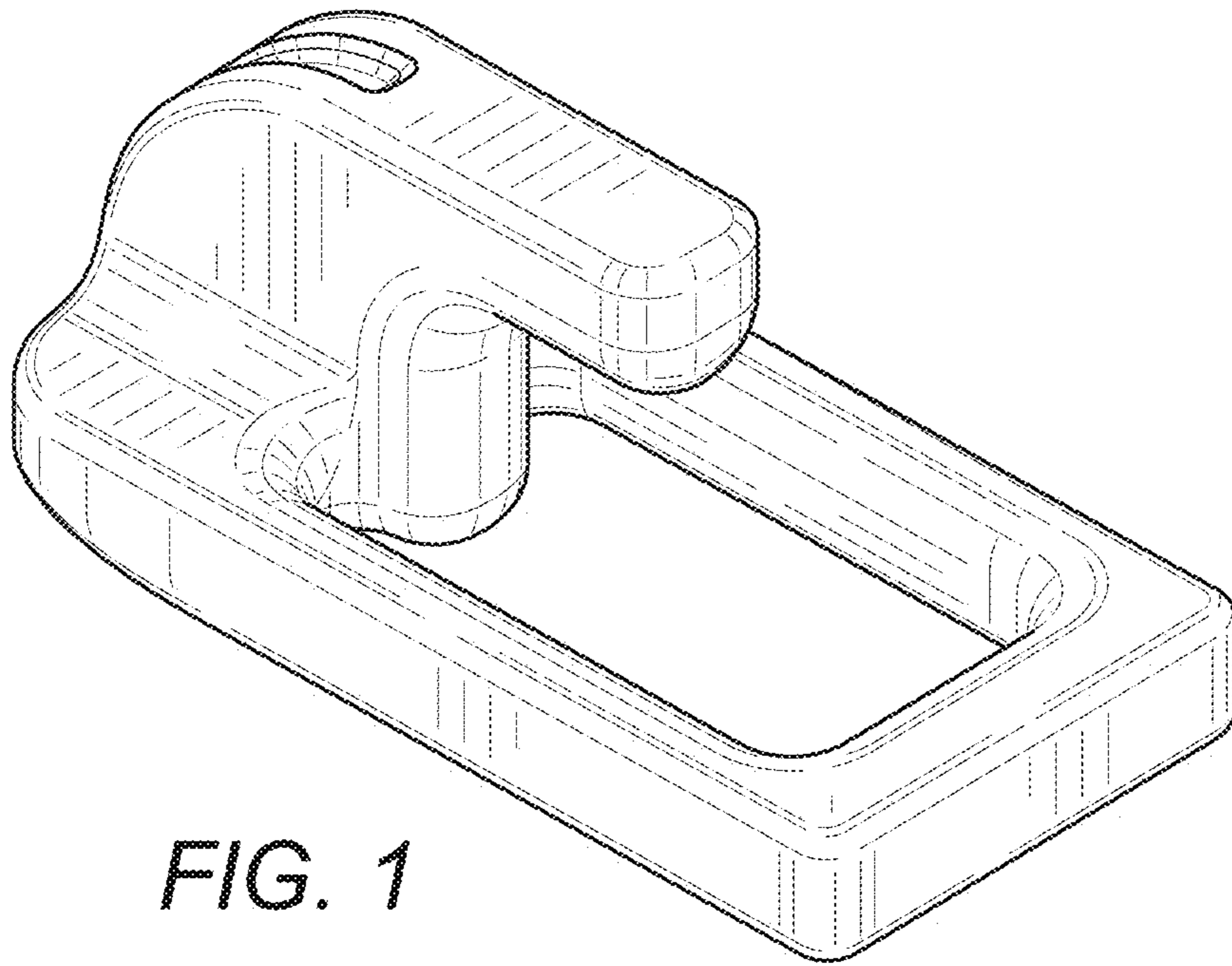


FIG. 1

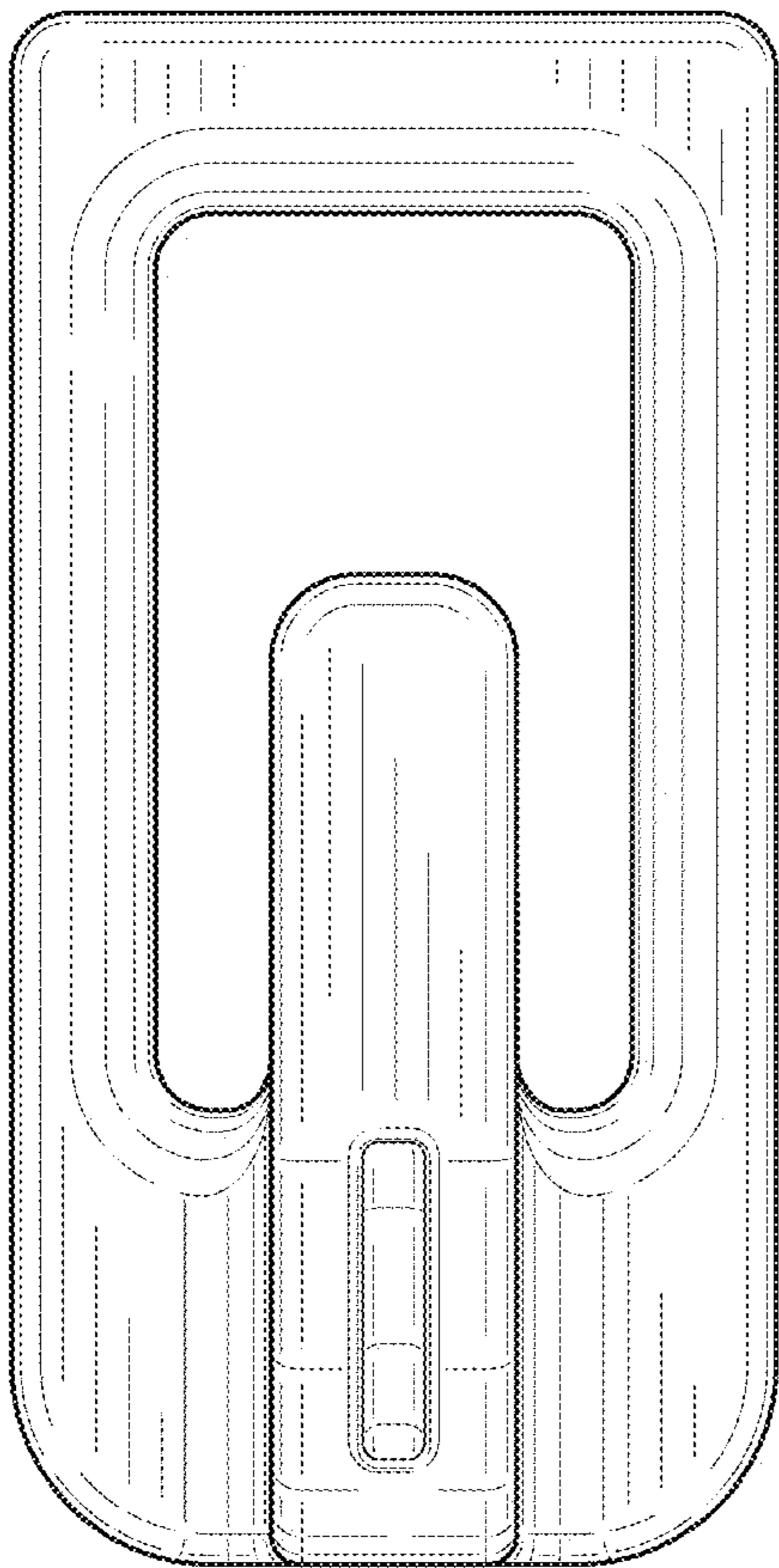


FIG. 2

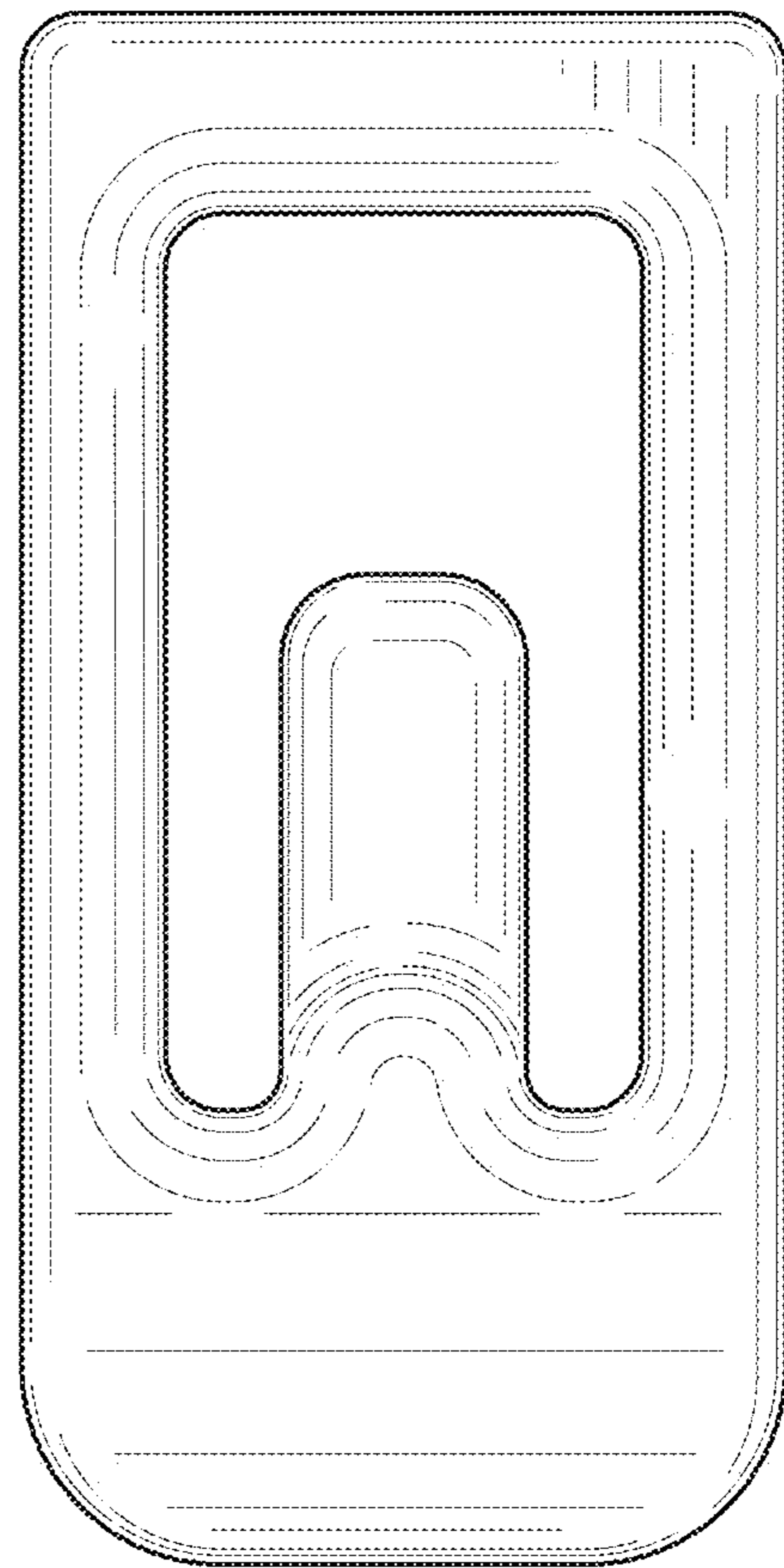


FIG. 3

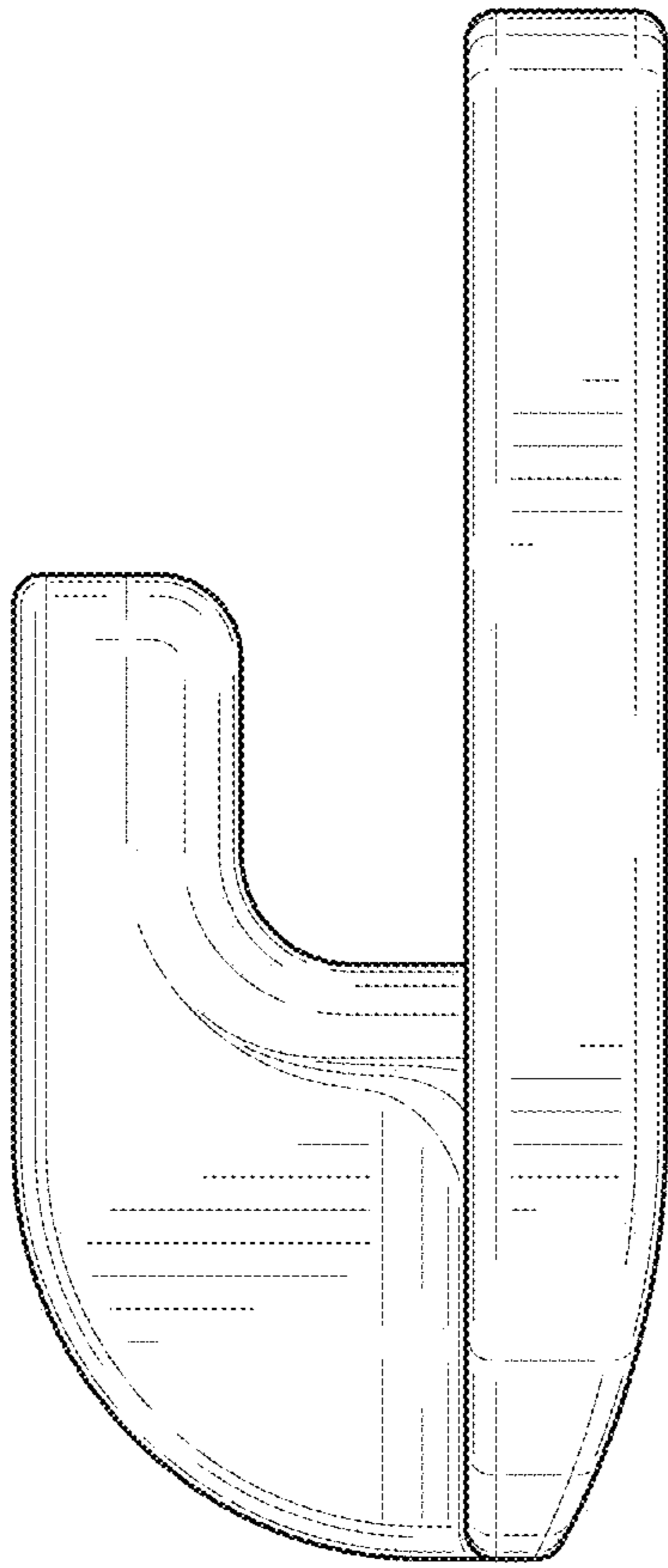


FIG. 4

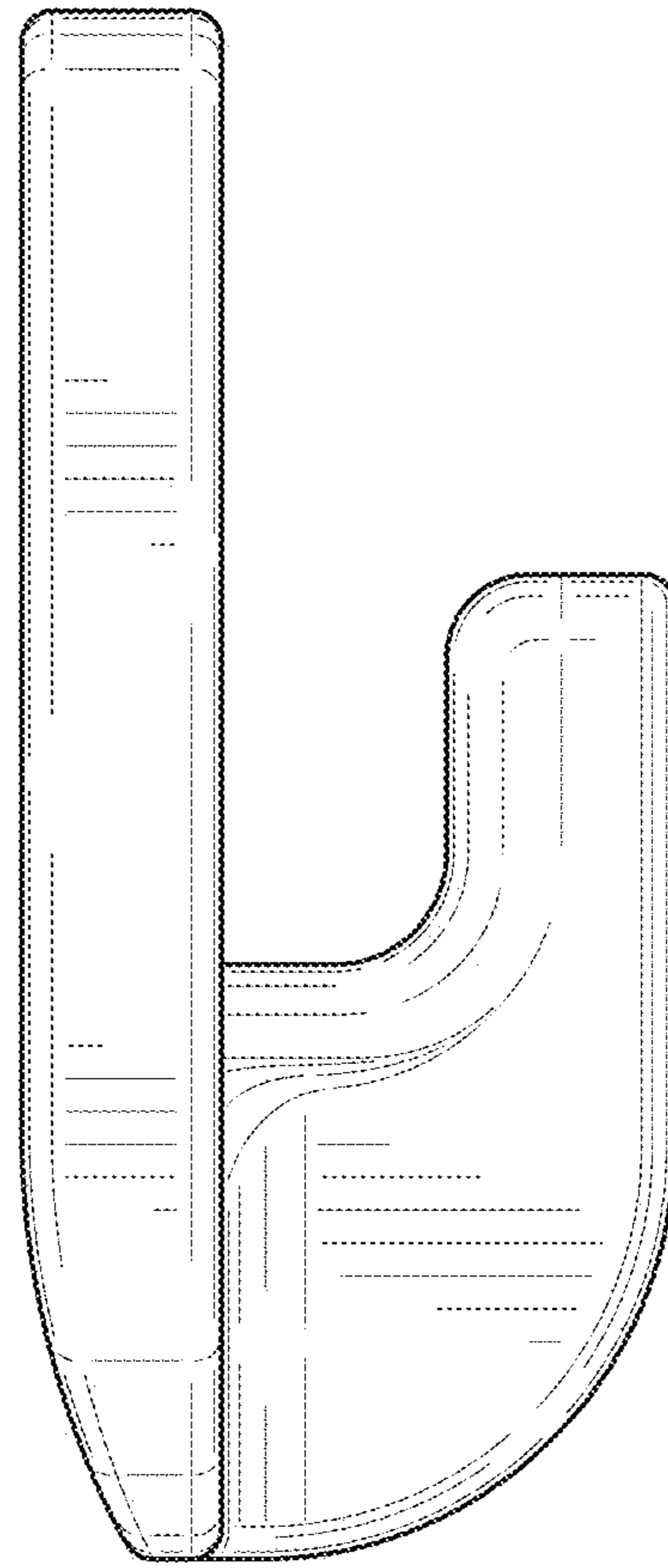


FIG. 5

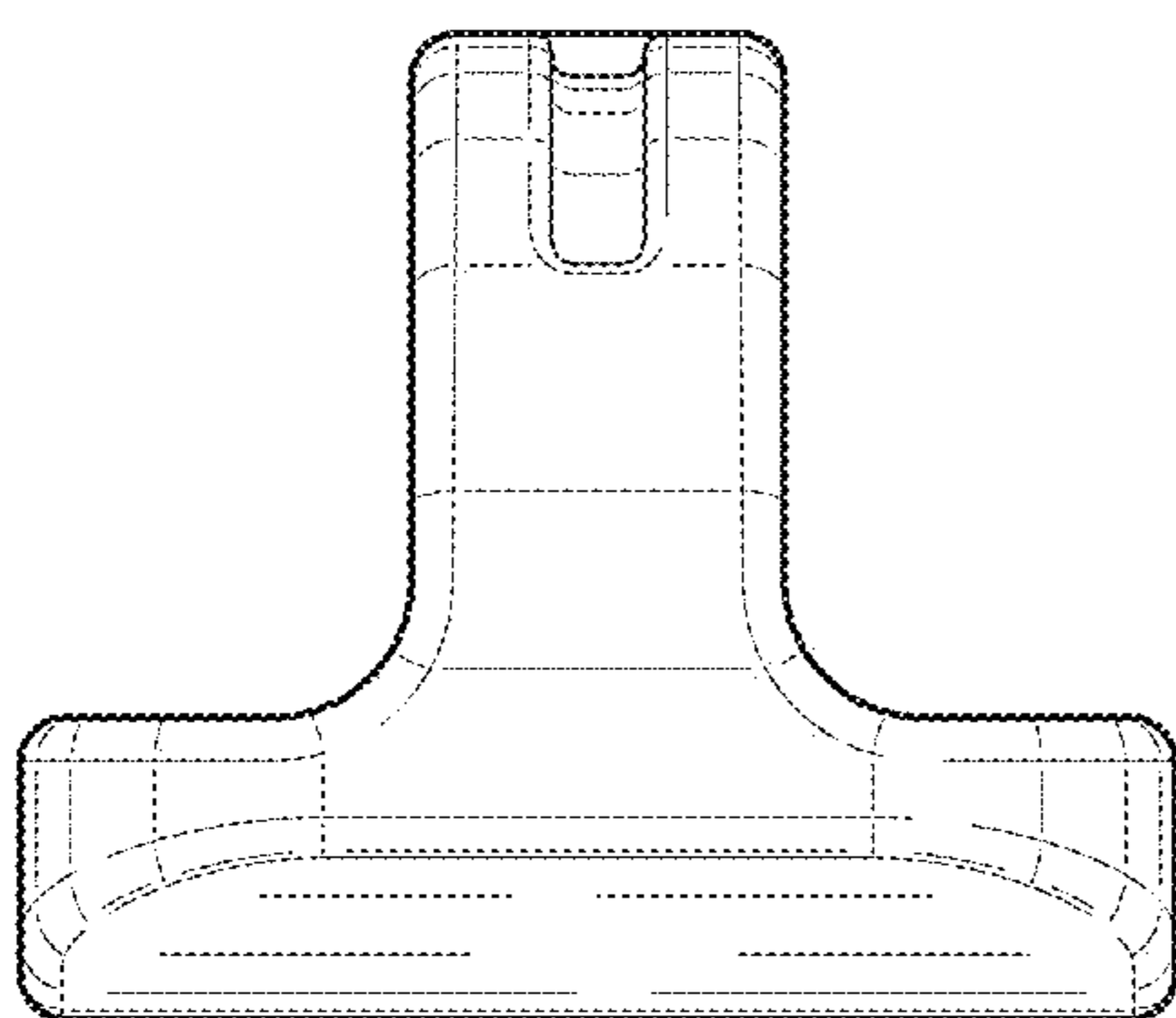


FIG. 6

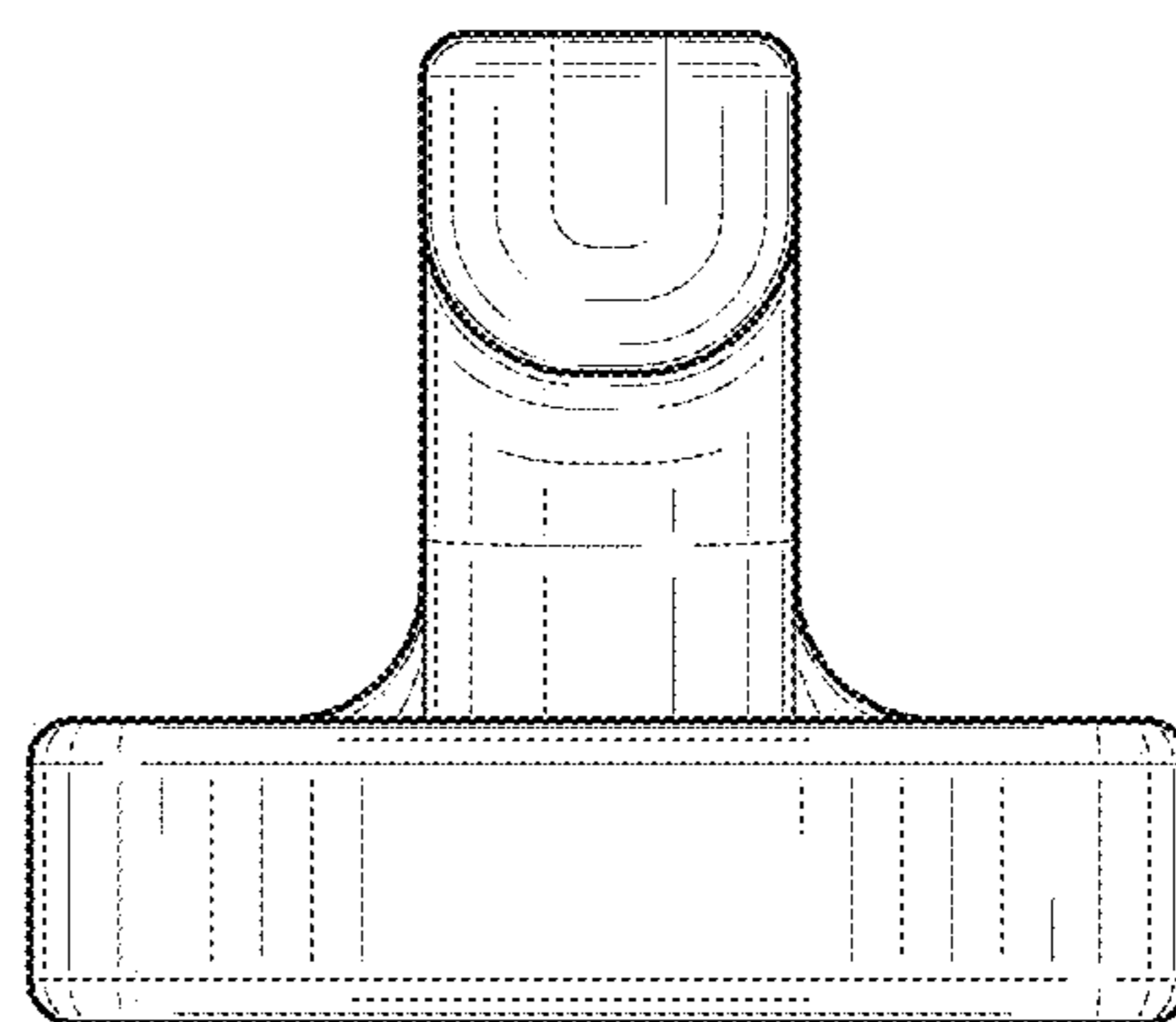


FIG. 7

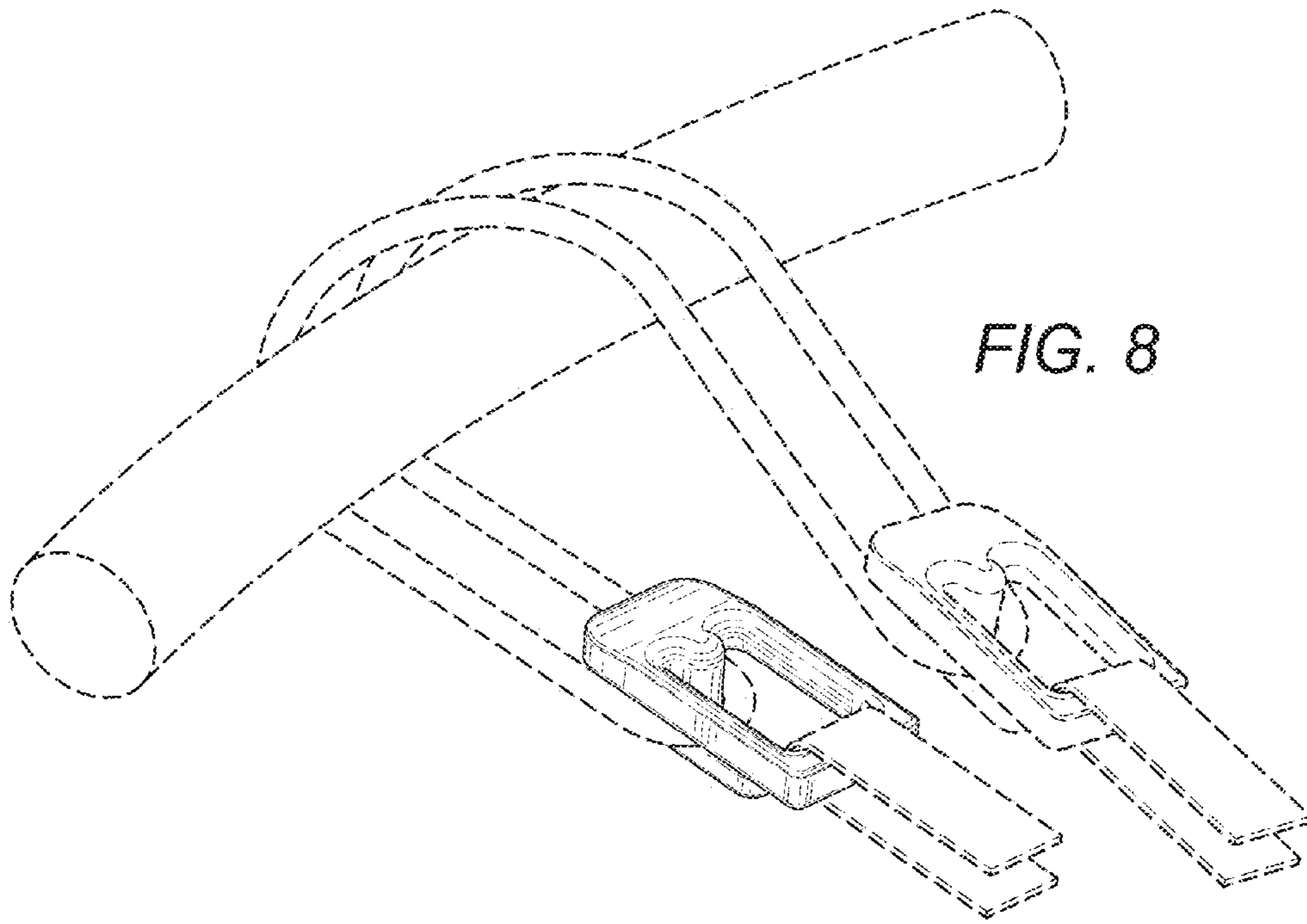


FIG. 8

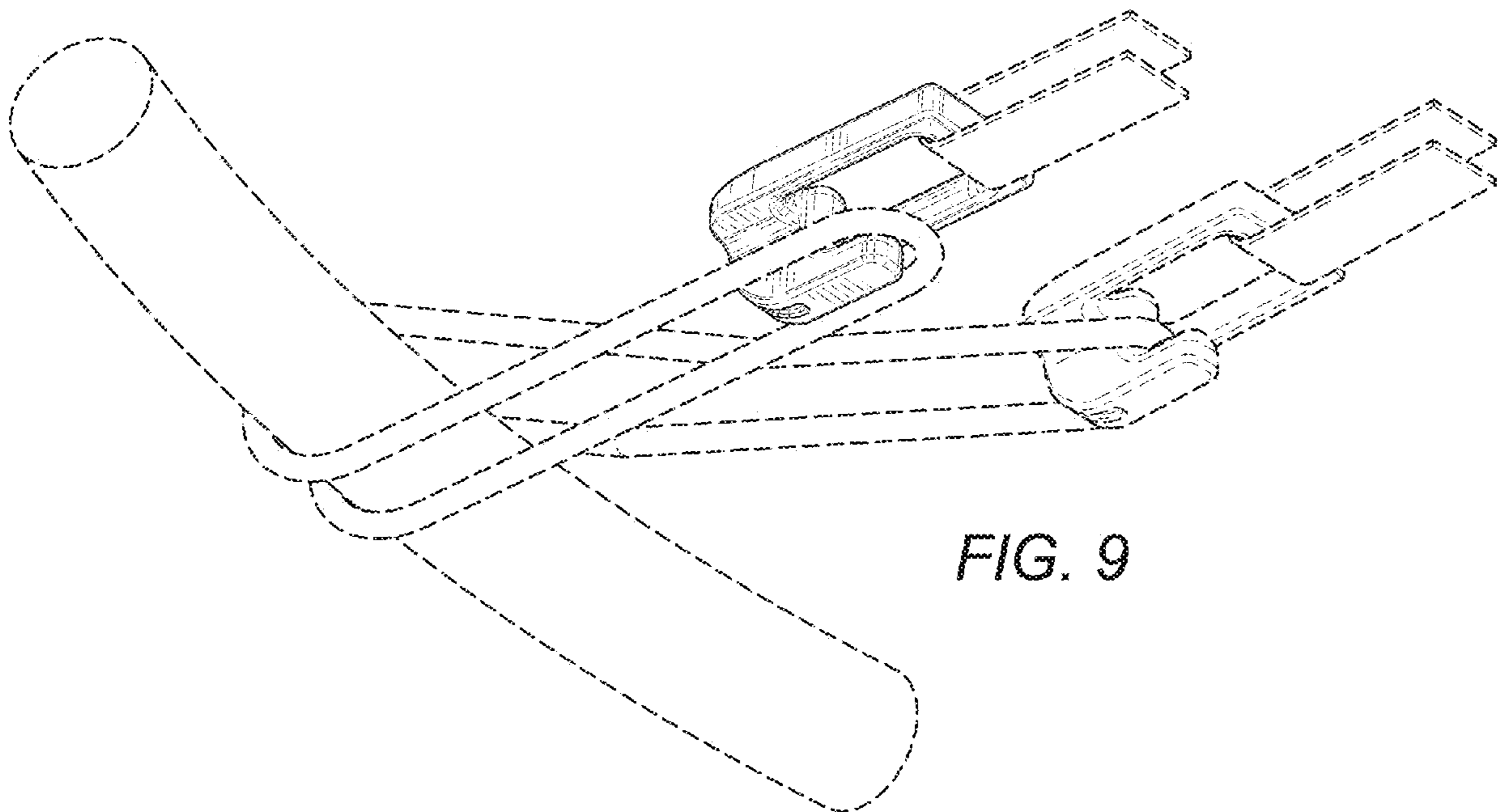


FIG. 9