



US00D886216S

(12) **United States Design Patent**  
**Chin**

(10) **Patent No.:** **US D886,216 S**

(45) **Date of Patent:** **\*\* Jun. 2, 2020**

(54) **SEATED BALANCE PAD**  
(71) Applicant: **T.K. Chin Company Ltd.**, Taipei (TW)  
(72) Inventor: **Howard Chin**, Taipei (TW)  
(73) Assignee: **T.K. Chin Company Ltd.**, Taipei (TW)  
(\*\*) Term: **15 Years**  
(21) Appl. No.: **29/673,434**

D507,026 S \* 7/2005 Chen ..... D21/671  
D507,311 S \* 7/2005 Butler ..... D21/686  
D517,136 S \* 3/2006 Chen ..... D21/671  
7,601,107 B2 \* 10/2009 Maloy ..... A63B 23/1209  
482/146  
7,674,216 B1 \* 3/2010 Bolling ..... A63B 23/03516  
482/142  
7,766,764 B2 \* 8/2010 Malhotra ..... A63B 69/3652  
473/269  
D634,377 S \* 3/2011 Byle ..... D21/662  
(Continued)

(22) Filed: **Dec. 14, 2018**  
(51) **LOC (12) Cl.** ..... **21-02**  
(52) **U.S. Cl.**  
USPC ..... **D21/688**  
(58) **Field of Classification Search**  
USPC ..... 248/678; 280/602, 607, 609; 297/223;  
473/218, 266, 269; 482/25, 30, 51, 71,  
482/74, 79, 80, 91, 93, 94, 105, 110, 122,  
482/125, 140, 142, 146, 147; D6/349,  
D6/350, 582, 583, 585, 588, 592;  
D21/399, 412, 662, 671, 683, 685, 686,  
D21/687, 688, 689, 694, 698, 798  
CPC . A63B 21/00047; A63B 22/16; A63B 26/003;  
A63B 22/18  
See application file for complete search history.

(56) **References Cited**  
U.S. PATENT DOCUMENTS  
3,784,193 A \* 1/1974 Simjian ..... A63B 22/14  
482/147  
5,518,476 A \* 5/1996 McLeon ..... A63B 23/08  
482/131  
5,593,374 A \* 1/1997 Gvoich ..... A63B 21/04  
482/123  
6,176,817 B1 \* 1/2001 Carey ..... A63B 22/18  
482/146  
6,702,726 B2 \* 3/2004 Lin ..... A63B 21/154  
482/140  
6,740,008 B1 \* 5/2004 Ho ..... A63B 21/0004  
482/123

**OTHER PUBLICATIONS**

Tkchin, "Massage Balance Ball Trainer" Oct. 22, 2019. <http://www.tkchin.com/products/c/4/#/products/item/149913079774718>. Shown on p. 1. (Year: 2019).\*

*Primary Examiner* — Cynthia Ramirez  
*Assistant Examiner* — Michael A Maharajh  
(74) *Attorney, Agent, or Firm* — Alan D. Kamrath; Karin L. Williams; Mayer & Williams PC

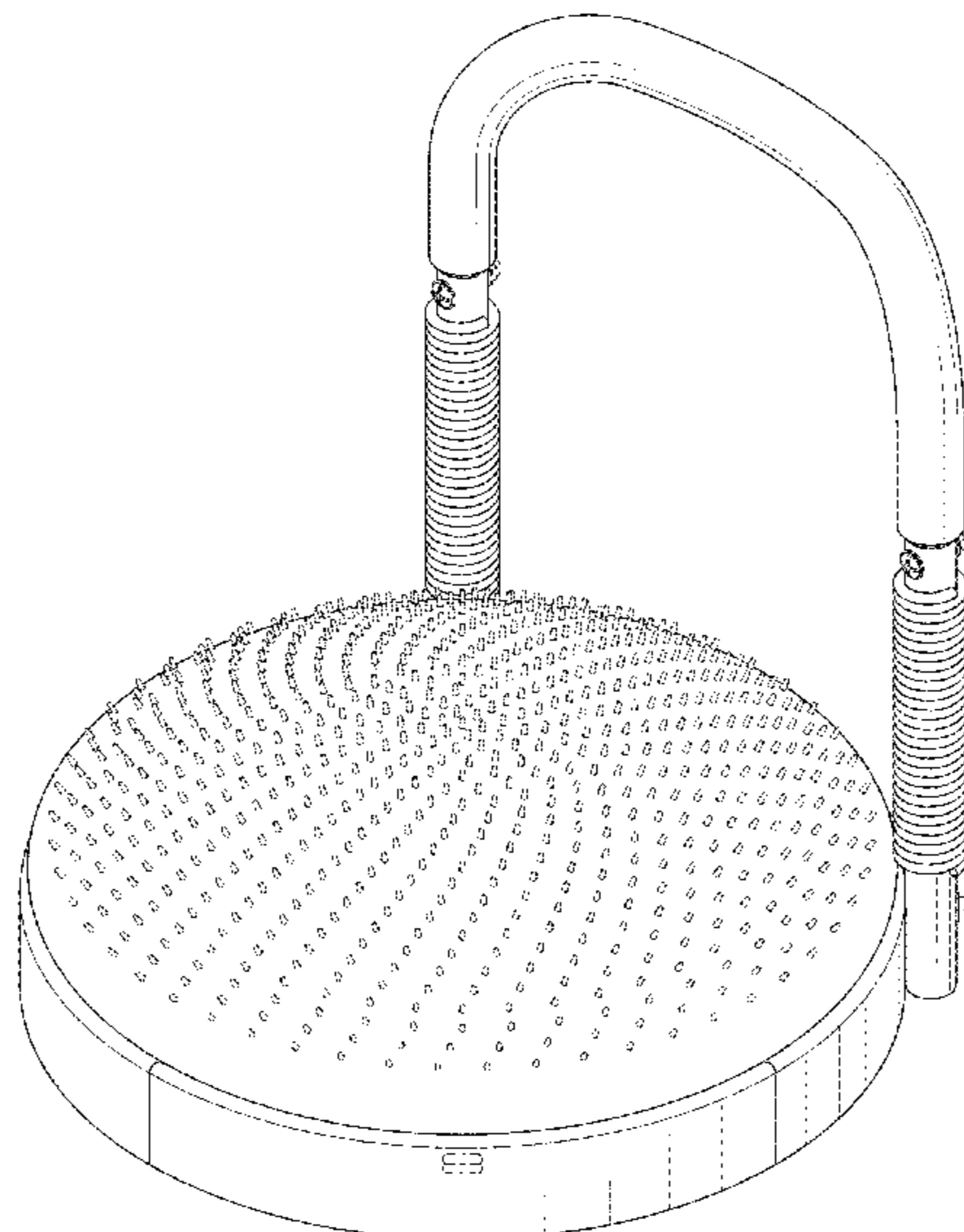
(57) **CLAIM**

The ornamental design for a seated balance pad, as shown and described.

**DESCRIPTION**

FIG. 1 is a perspective view of a seated balance pad showing my new design;  
FIG. 2 is a front view thereof;  
FIG. 3 is a rear view thereof;  
FIG. 4 is a left side view thereof;  
FIG. 5 is a right side view thereof;  
FIG. 6 is a top view thereof; and,  
FIG. 7 is a bottom view thereof.  
The broken lines shown in the drawings are for the purpose of illustrating portions of the seated balance pad, which form no part of the claimed design.

**1 Claim, 7 Drawing Sheets**



(56)

**References Cited**

U.S. PATENT DOCUMENTS

8,142,305 B2 *	3/2012	Hackenberg .....	A63B 69/3673 473/278	2007/0155601 A1 *	7/2007	Dykgraaf .....	A63B 21/0004 482/140
8,771,156 B2 *	7/2014	Chen .....	F16B 2/08 482/142	2007/0259761 A1 *	11/2007	Lin .....	A63B 26/00 482/142
8,926,483 B1 *	1/2015	Holloway .....	A63B 26/003 482/140	2007/0281840 A1 *	12/2007	Tsai .....	A63B 23/0211 482/140
10,441,496 B1 *	10/2019	Cohen .....	A61H 15/00	2008/0234117 A1 *	9/2008	Clark .....	A63B 26/003 482/142
2004/0142801 A1 *	7/2004	Lin .....	A63B 21/0004 482/142	2009/0163337 A1 *	6/2009	Petrakov .....	A61H 1/005 482/147
2004/0180768 A1 *	9/2004	Almada .....	A63B 23/0211 482/142	2009/0215597 A1 *	8/2009	Fernandez .....	A63B 22/18 482/146
2005/0009677 A1 *	1/2005	Yang .....	A63B 5/11 482/142	2009/0325770 A1 *	12/2009	Baschnagel .....	A63B 21/154 482/142
2005/0020418 A1 *	1/2005	Lin .....	A63B 21/0552 482/142	2012/0088642 A1 *	4/2012	Kulzer .....	A63B 26/003 482/142
2005/0209073 A1 *	9/2005	Chen .....	A63B 21/0004 482/146	2015/0335933 A1 *	11/2015	Piaget .....	A63B 21/00047 482/34
				2018/0064252 A1 *	3/2018	Chin .....	A47C 7/021
				2019/0308072 A1 *	10/2019	Metcalfe .....	A63B 26/003

\* cited by examiner

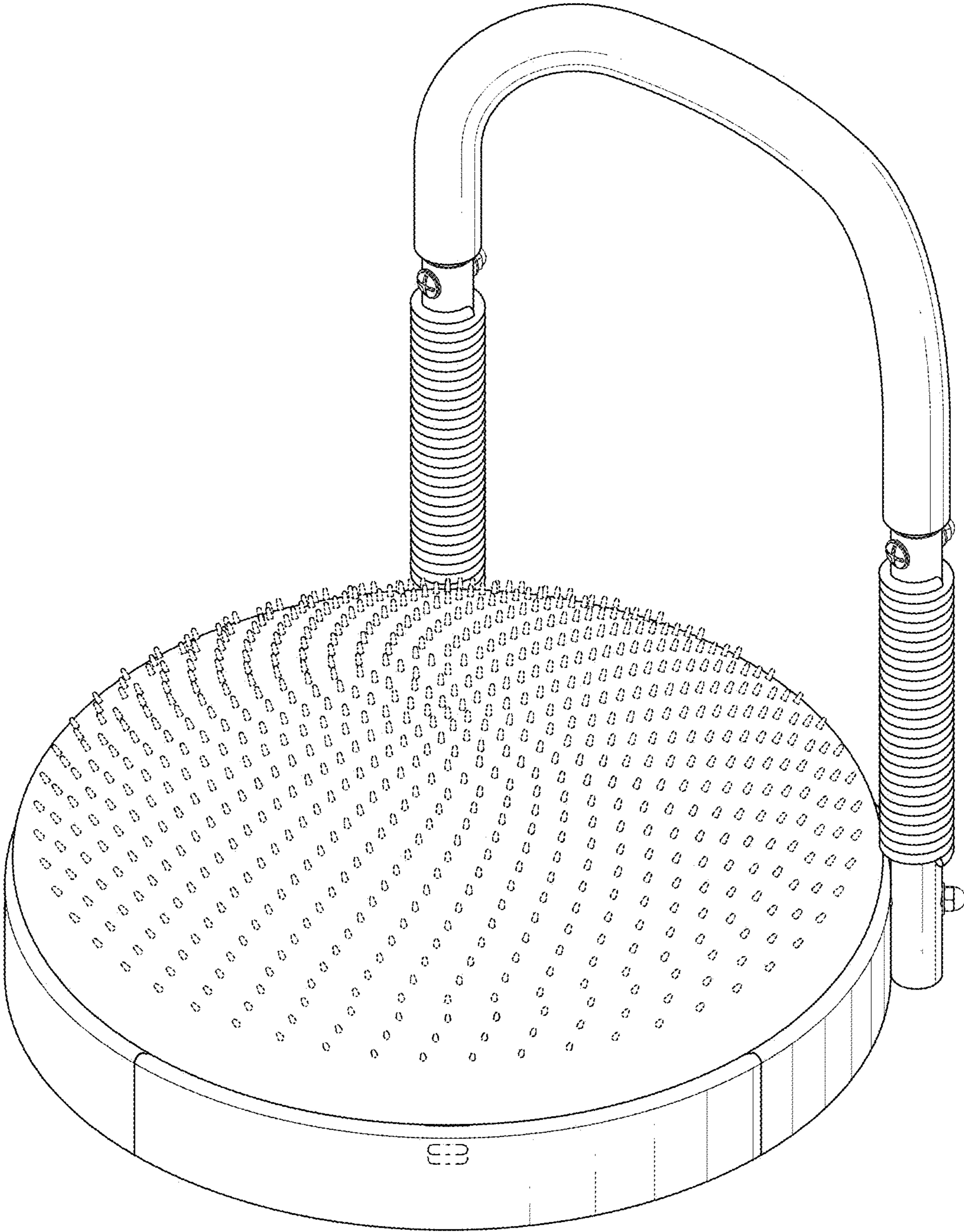


FIG.1

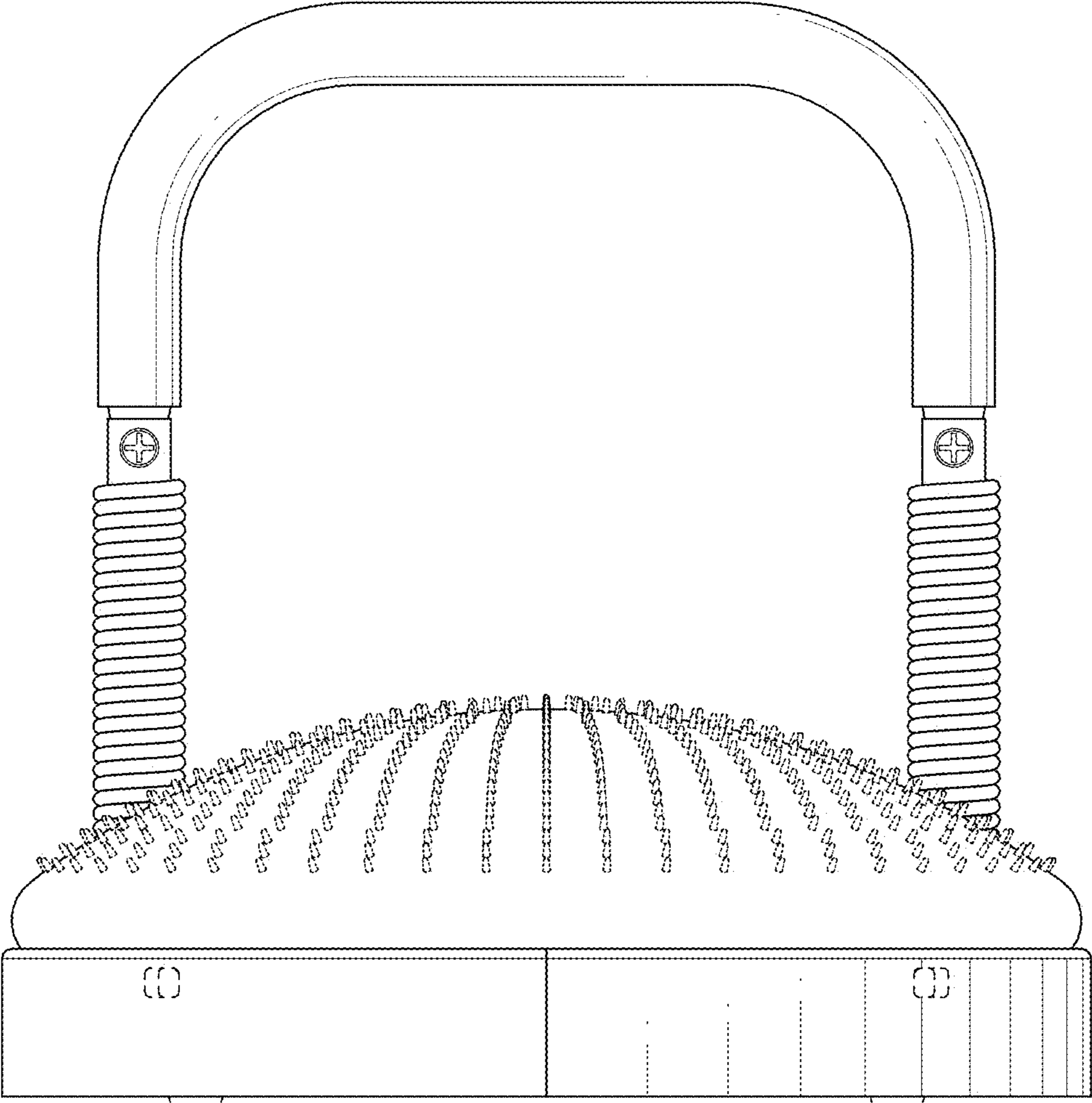


FIG.2

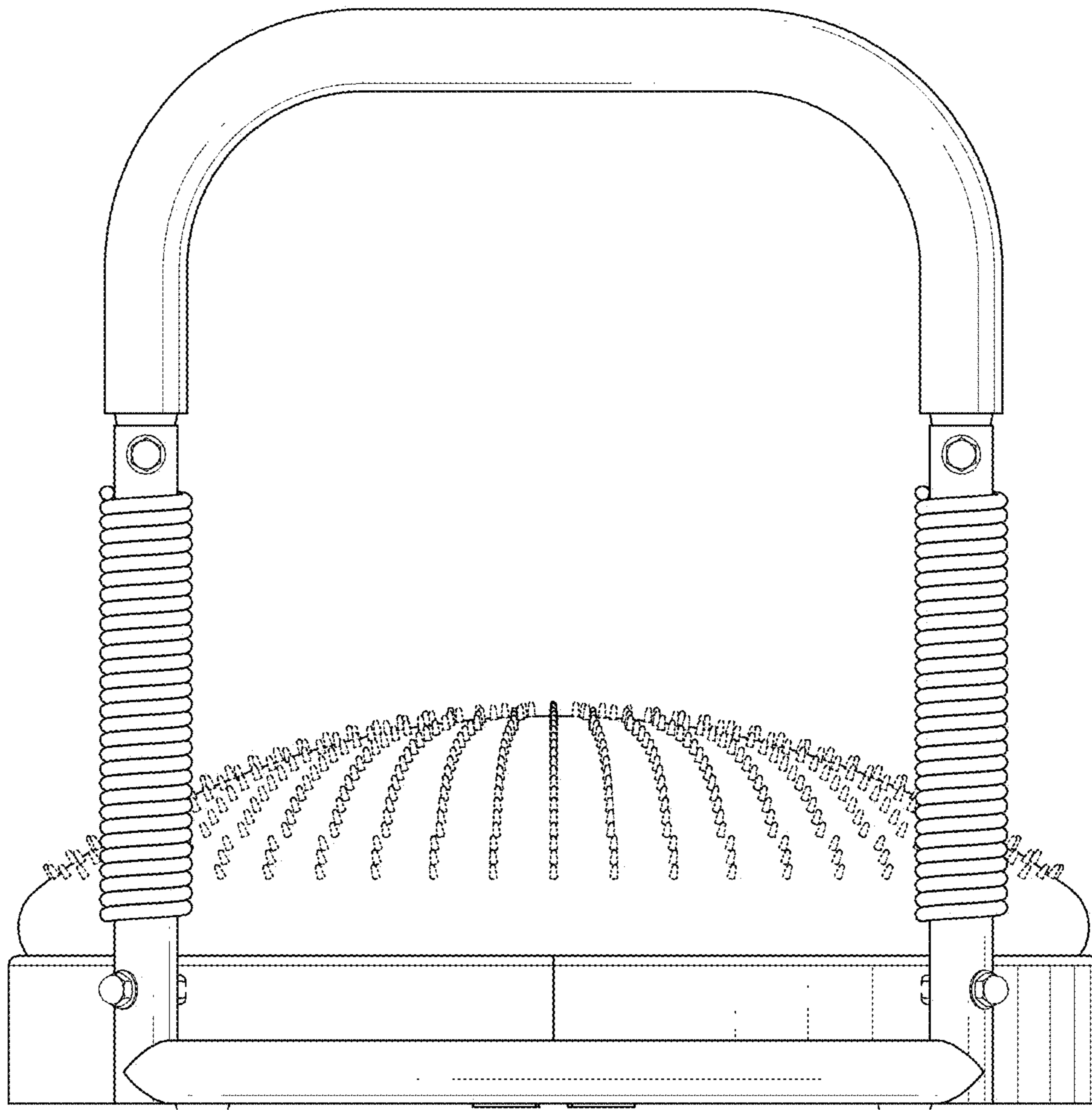


FIG.3

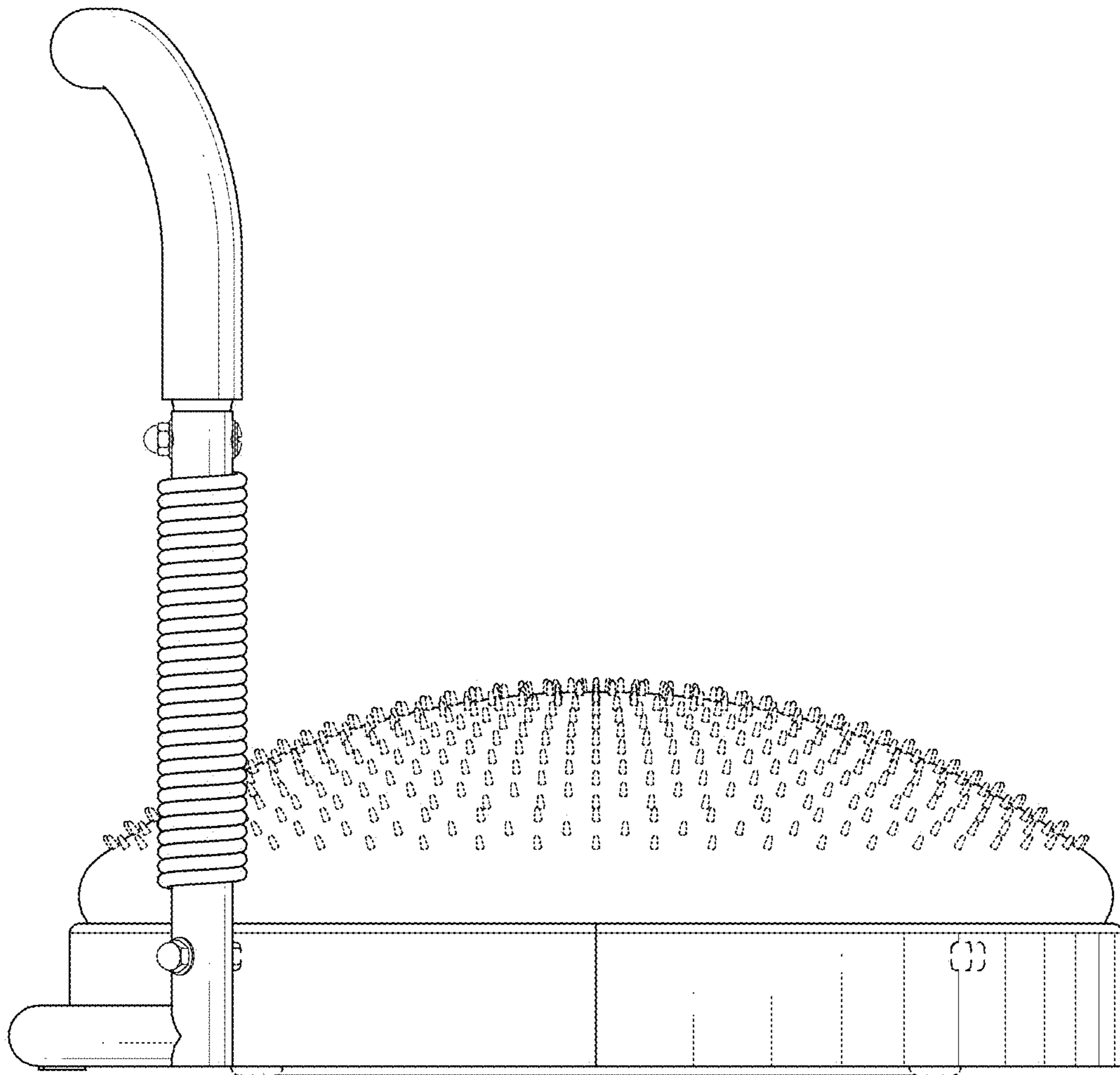


FIG.4

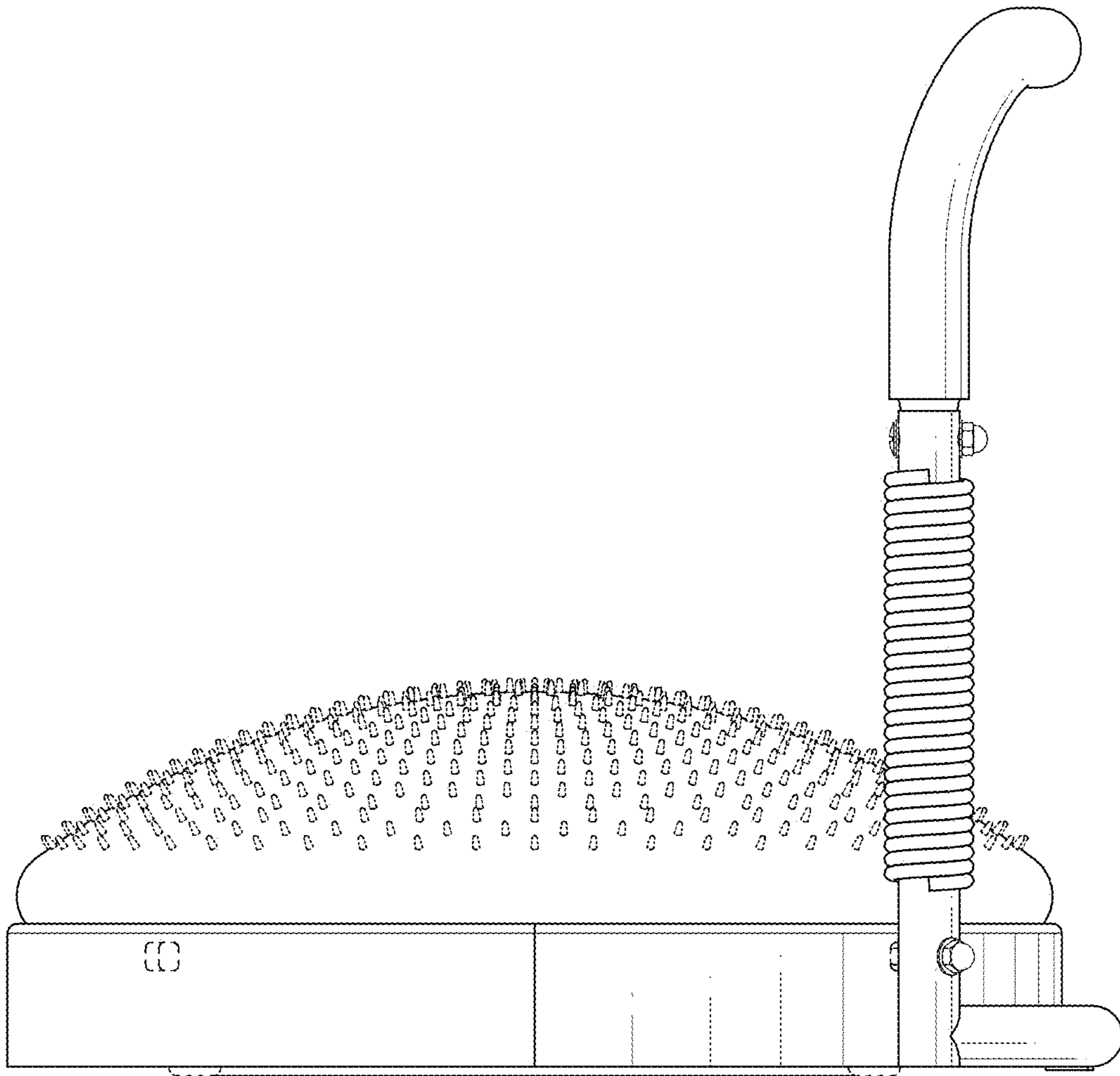


FIG.5

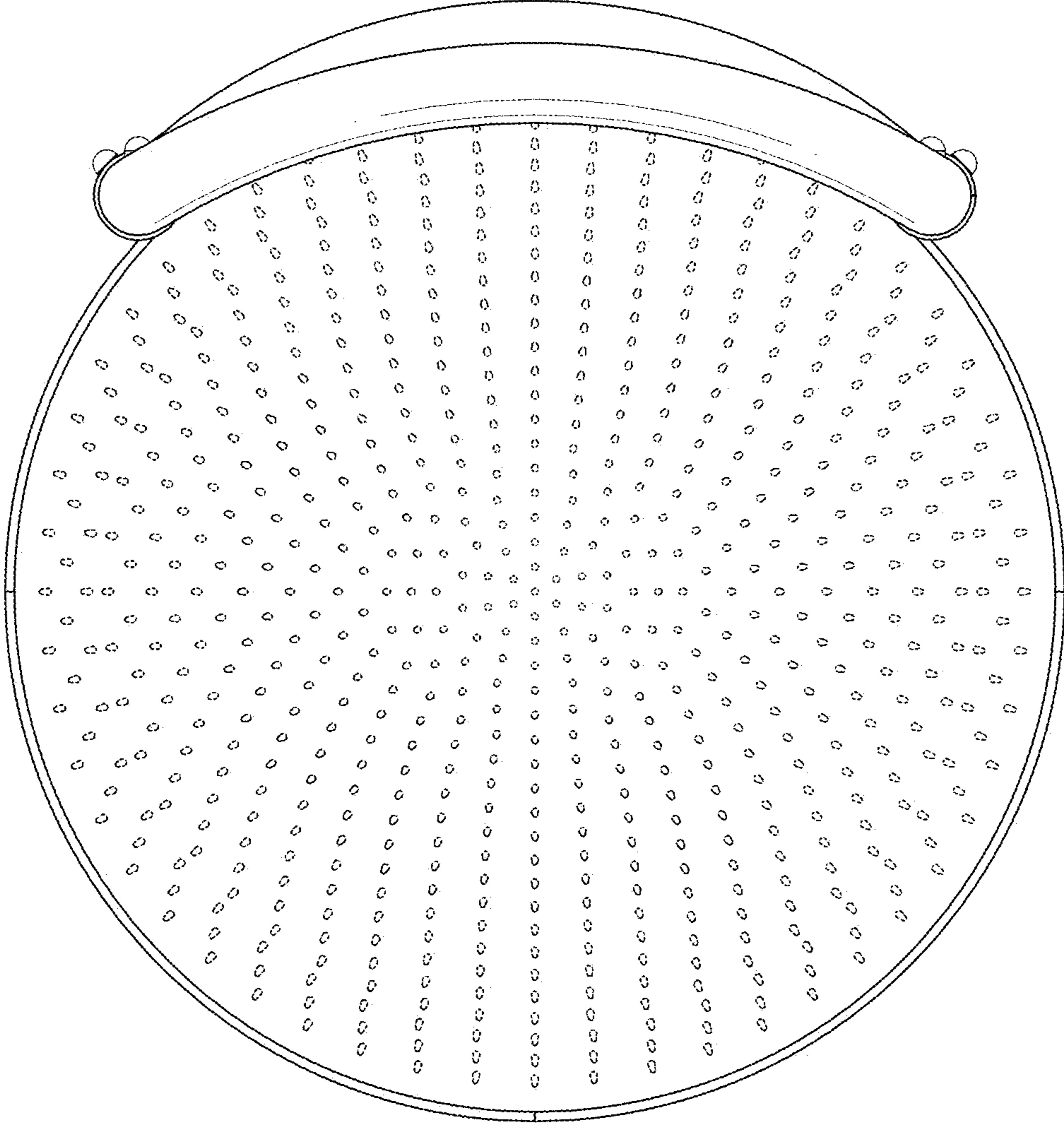


FIG.6



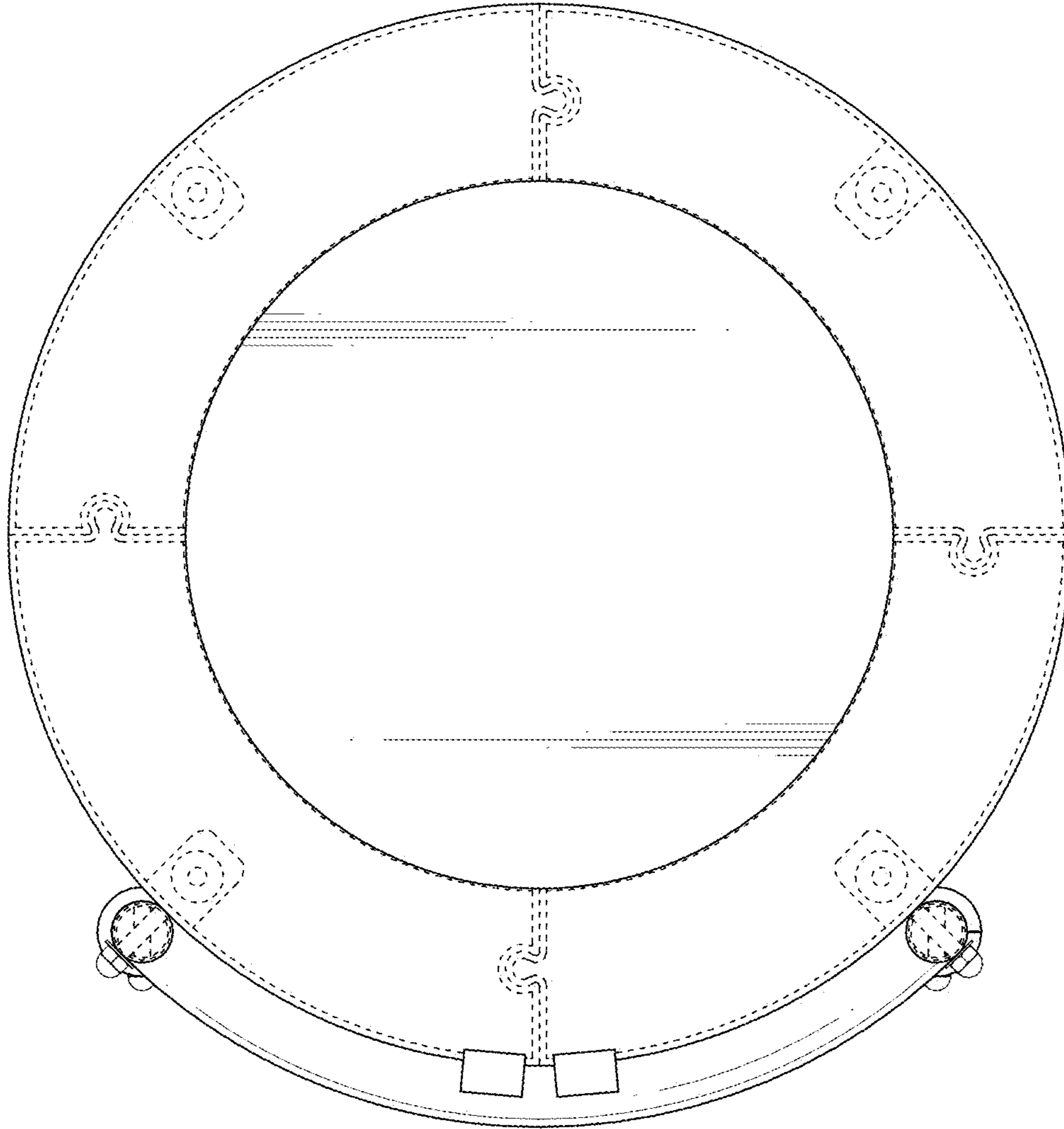


FIG.7