



US00D886210S

(12) **United States Design Patent** (10) **Patent No.:** **US D886,210 S**
Park (45) **Date of Patent:** **** Jun. 2, 2020**

(54) **TOY BLOCK**
(71) Applicant: **GYMWORLD INC.**, Seoul (KR)
(72) Inventor: **Kee Young Park**, Seoul (KR)
(73) Assignee: **GYMWORLD INC.**, Seoul (KR)
(**) Term: **15 Years**

D328,930 S * 8/1992 Jarnros D21/504
D352,751 S * 11/1994 Hatting D21/491
D360,659 S * 7/1995 Knudsen D21/489
D612,434 S * 3/2010 Christensen D21/491
D672,405 S * 12/2012 MacAdam D21/503
D701,920 S * 4/2014 Andersen D21/492
D736,862 S * 8/2015 Karunaratne D21/491
D845,399 S * 4/2019 Kahl D21/495

* cited by examiner

(21) Appl. No.: **29/680,980**
(22) Filed: **Feb. 21, 2019**

Primary Examiner — Cynthia M. Chin
(74) *Attorney, Agent, or Firm* — KORUS Patent, LLC;
Seong Il Jeong

(30) **Foreign Application Priority Data**

Aug. 22, 2018 (KR) 30-2018-0038936

(51) **LOC (12) Cl.** **21-01**

(52) **U.S. Cl.**
USPC **D21/489**

(58) **Field of Classification Search**
USPC D21/484–505
CPC A63H 33/00; A63H 33/04; A63H 33/044;
A63H 33/06; A63H 33/08; A63H 33/084;
A63H 33/086; A63H 33/088; A63H
33/10; A63H 33/12; A63H 33/105; A63H
33/108; A63H 3/00; A63H 3/16; A63H
3/46

See application file for complete search history.

(56) **References Cited**

U.S. PATENT DOCUMENTS

D281,181 S * 10/1985 Knudsen D21/491
D296,343 S * 6/1988 Knudsen D21/489

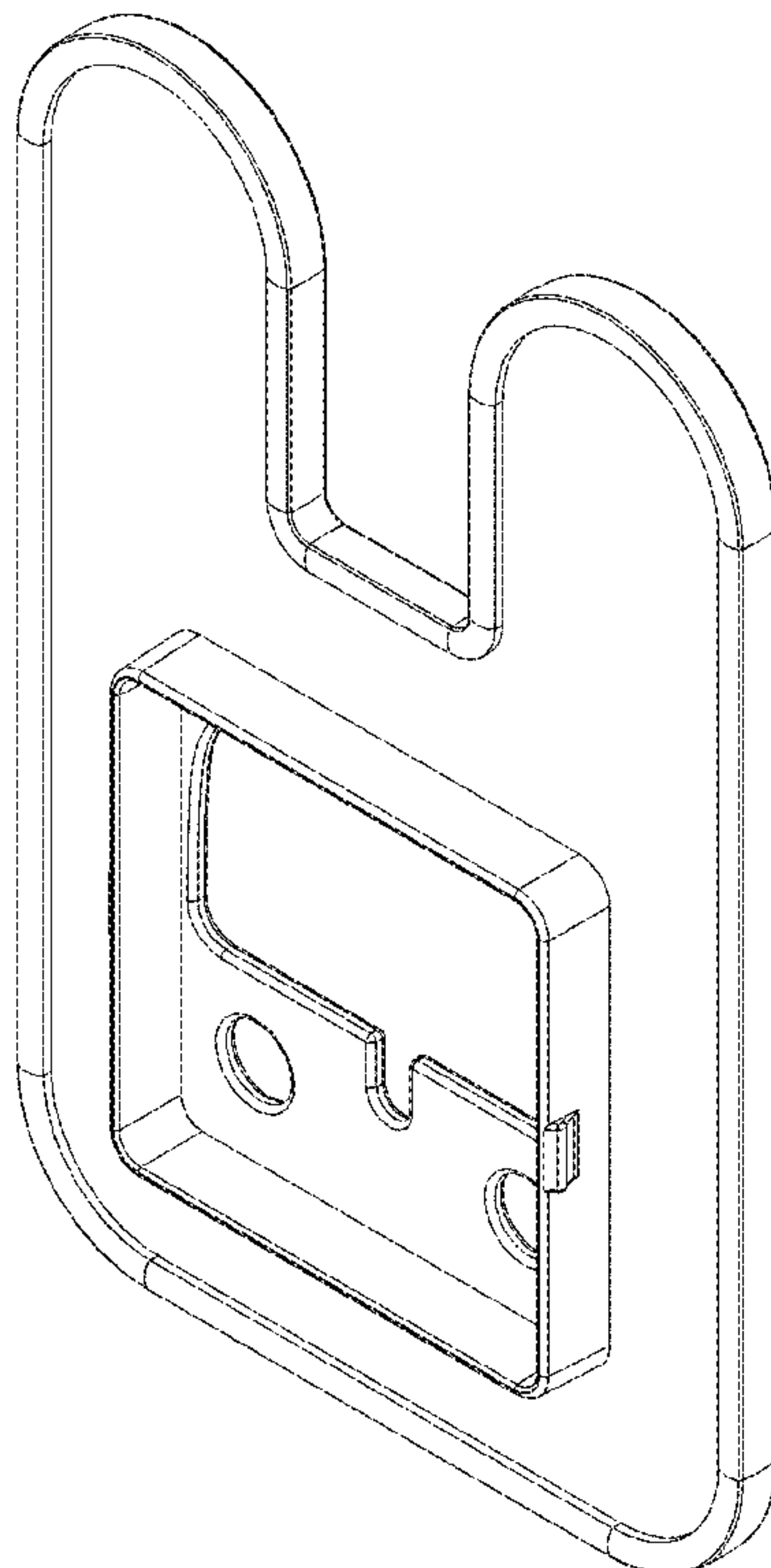
(57) **CLAIM**

The ornamental design for a toy block, as shown and described.

DESCRIPTION

FIG. 1 is a front perspective view of a toy block according to the present design;
FIG. 2 is a front elevation view thereof;
FIG. 3 is a rear elevation view thereof;
FIG. 4 is a left side view thereof;
FIG. 5 is a right side view thereof;
FIG. 6 is a top plan view thereof; and,
FIG. 7 is a bottom plan view thereof.

1 Claim, 6 Drawing Sheets



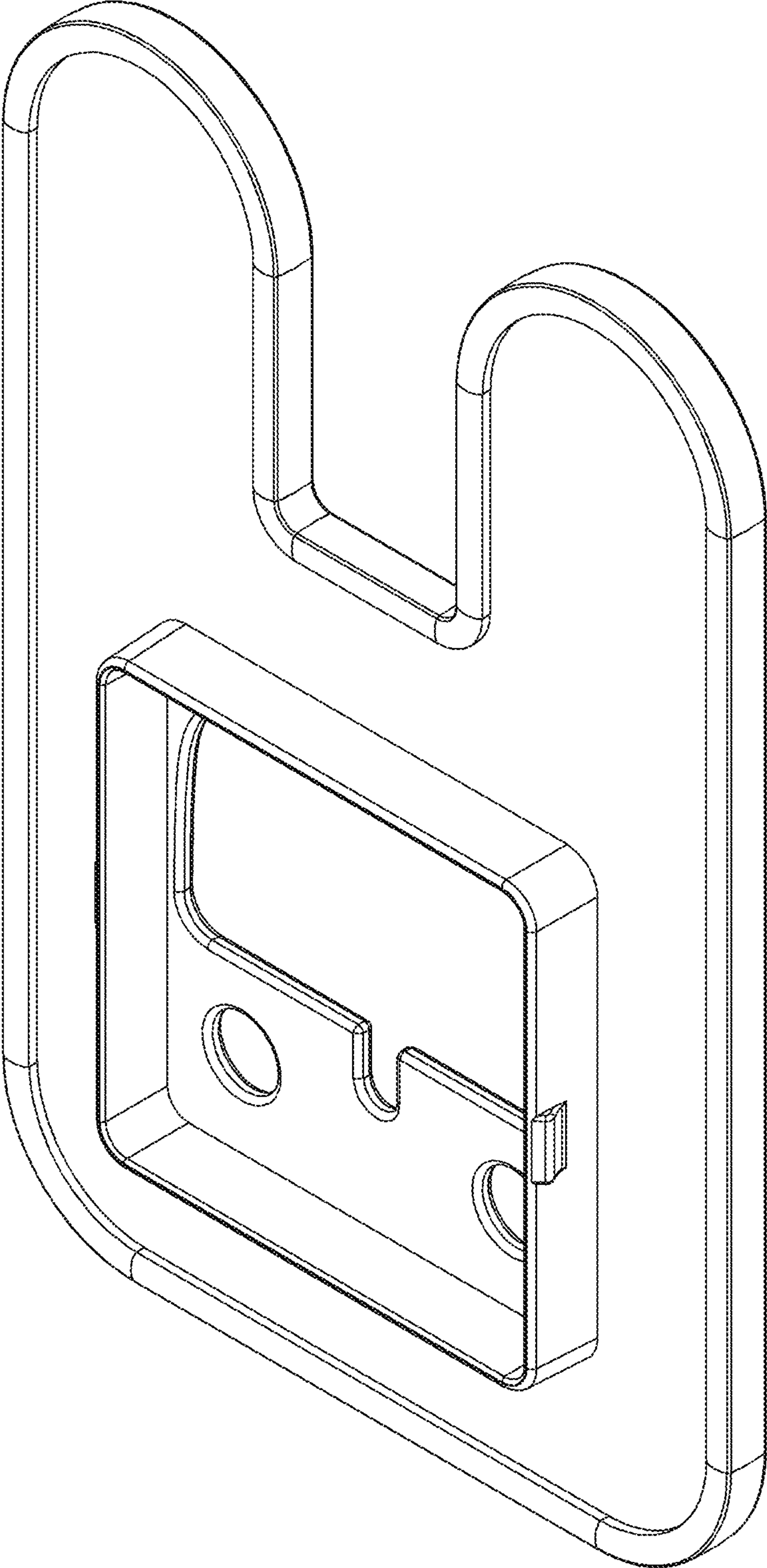


FIG. 1

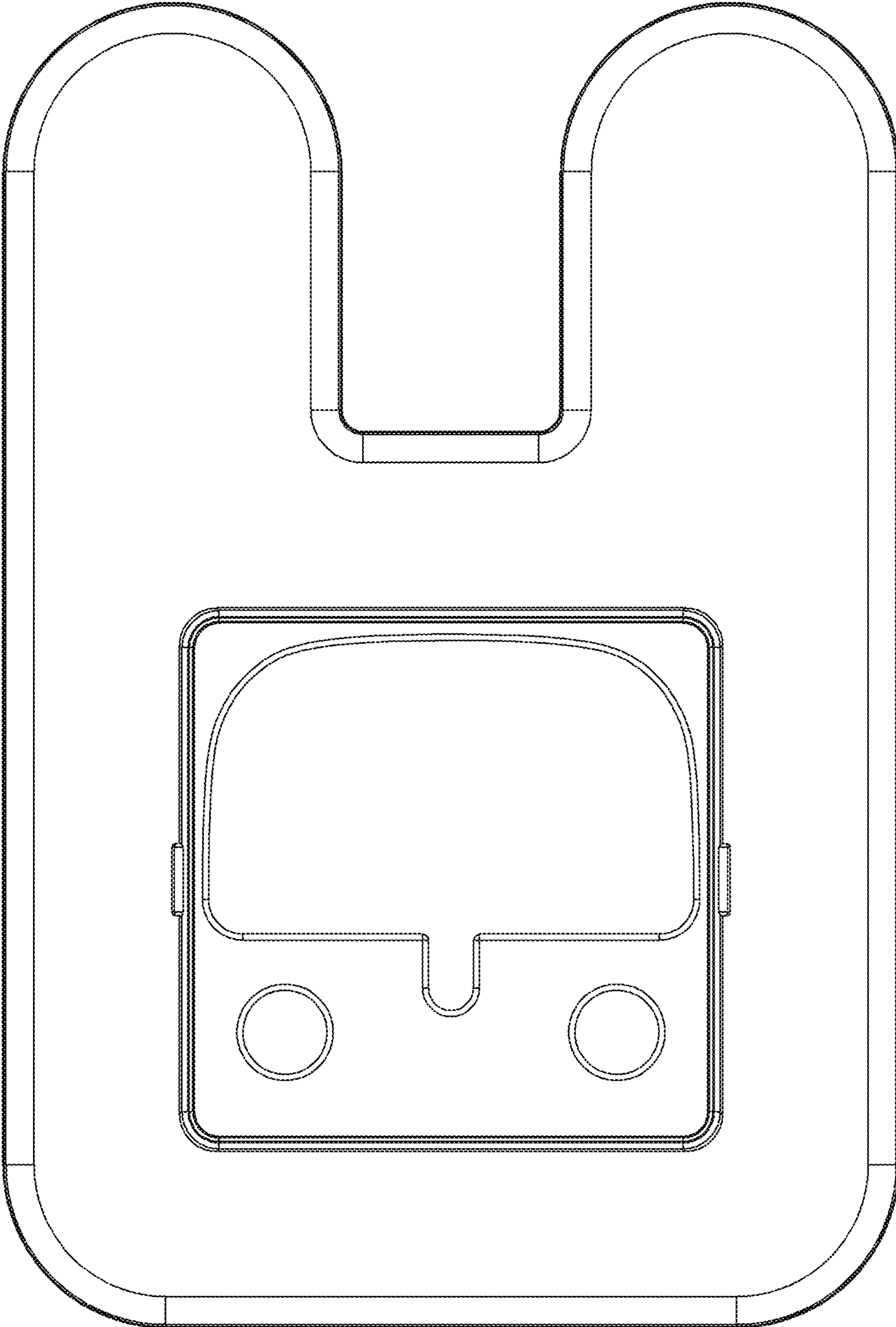


FIG. 2

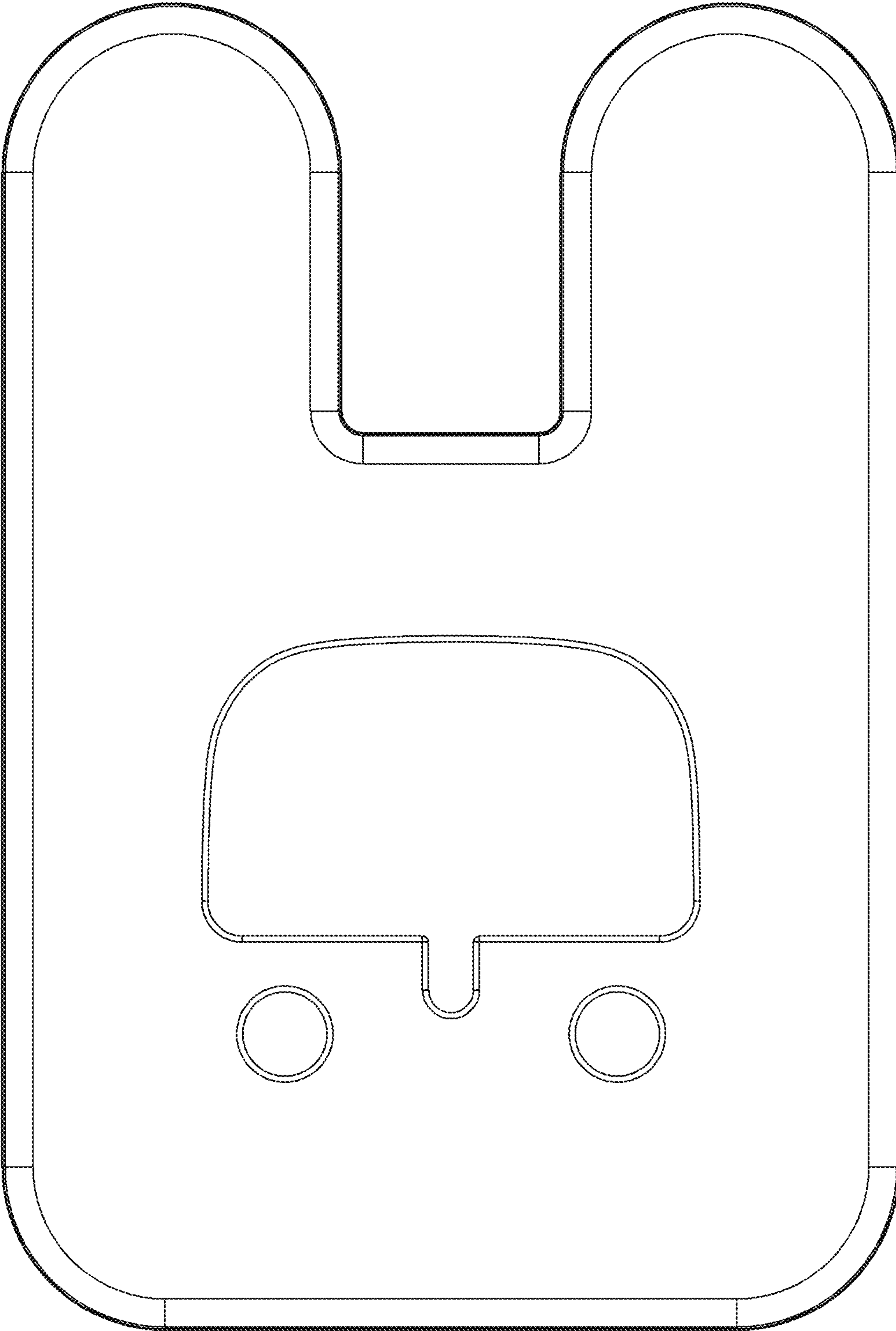


FIG. 3

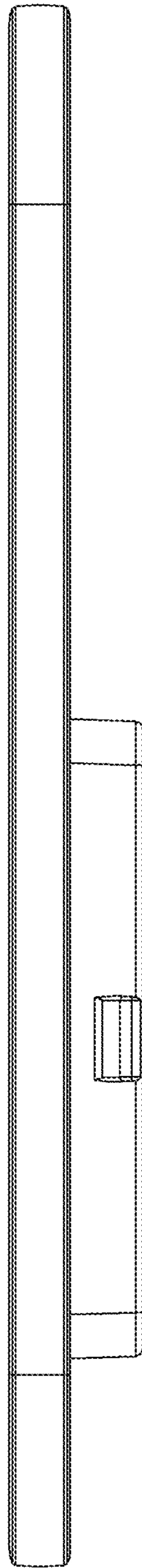


FIG. 4

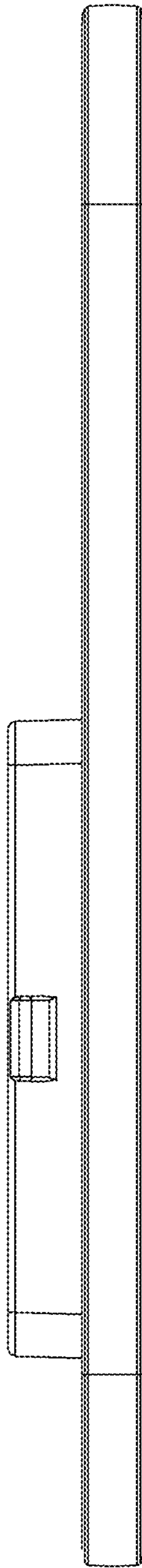


FIG. 5

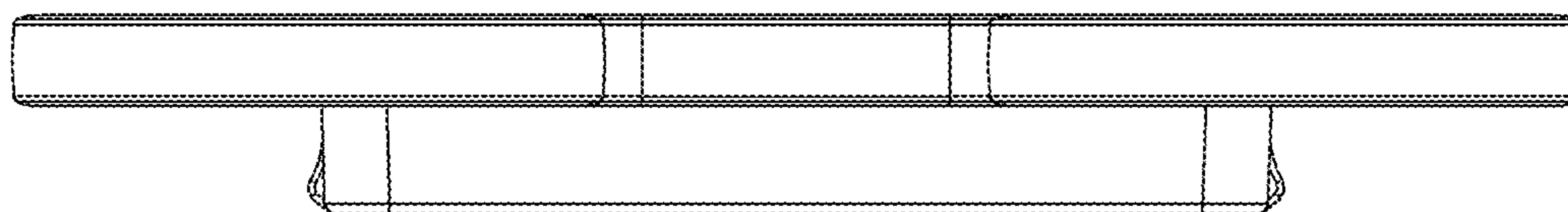


FIG. 6

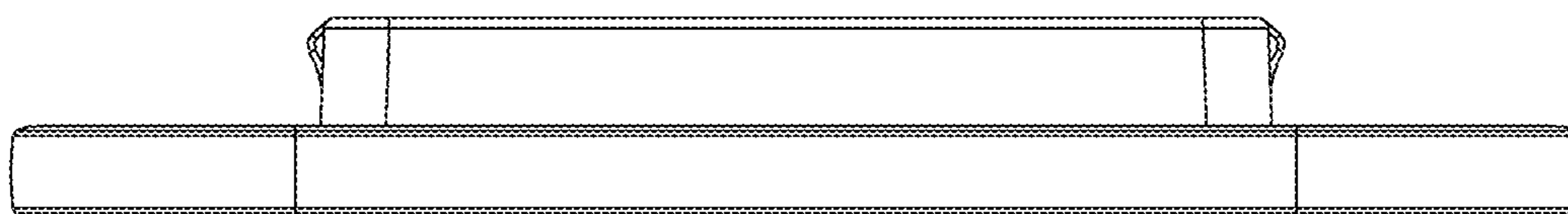


FIG. 7