



US00D886209S

(12) **United States Design Patent** (10) **Patent No.:** **US D886,209 S**
Grabosch et al. (45) **Date of Patent:** **** Jun. 2, 2020**

(54) **PART OF A SAND AND WATER MILL TOY**

(56) **References Cited**

(71) Applicant: **PLASTICANT MOBILO GMBH,**
Sulzburg (DE)

(72) Inventors: **Jan Grabosch,** Sulzburg (DE); **Sven Grabosch,** Müllheim-Britzigen (DE)

U.S. PATENT DOCUMENTS

D396,501 S	*	7/1998	Hatting	D21/484
D538,346 S	*	3/2007	Rowe	D19/59
D611,107 S	*	3/2010	Schmidt	D21/484
D692,069 S	*	10/2013	Blair	D21/396
D712,487 S	*	9/2014	Strand	D21/484
D723,628 S	*	3/2015	Kanbar	D21/484
D723,629 S	*	3/2015	Kanbar	D21/484
D745,610 S	*	12/2015	Vaccarella	D21/484
D822,122 S	*	7/2018	Bilezikian	D21/484
D832,365 S	*	10/2018	Williams	D21/484
D849,155 S	*	5/2019	Lo	D21/499
D863,456 S	*	10/2019	Holman	D21/484
D865,074 S	*	10/2019	Holman	D21/484

(73) Assignee: **Plasticant Mobilo GmbH,** Sulzburg (DE)

(**) Term: **15 Years**

(21) Appl. No.: **35/506,630**

(22) Filed: **Sep. 18, 2018**

(80) **Hague Agreement Data**

Int. Filing Date: **Sep. 18, 2018**
 Int. Reg. No.: **DM/200113**
 Int. Reg. Date: **Sep. 18, 2018**
 Int. Reg. Pub. Date: **Feb. 22, 2019**

* cited by examiner

Primary Examiner — George D. Kirschbaum
Assistant Examiner — Joseph J Kukella
 (74) *Attorney, Agent, or Firm* — Volpe and Koenig, P.C.

(51) **LOC (12) Cl.** **21-01**
 (52) **U.S. Cl.**
 USPC **D21/484**

(57) **CLAIM**

The ornamental design for a part of a sand and water mill toy, as shown and described.

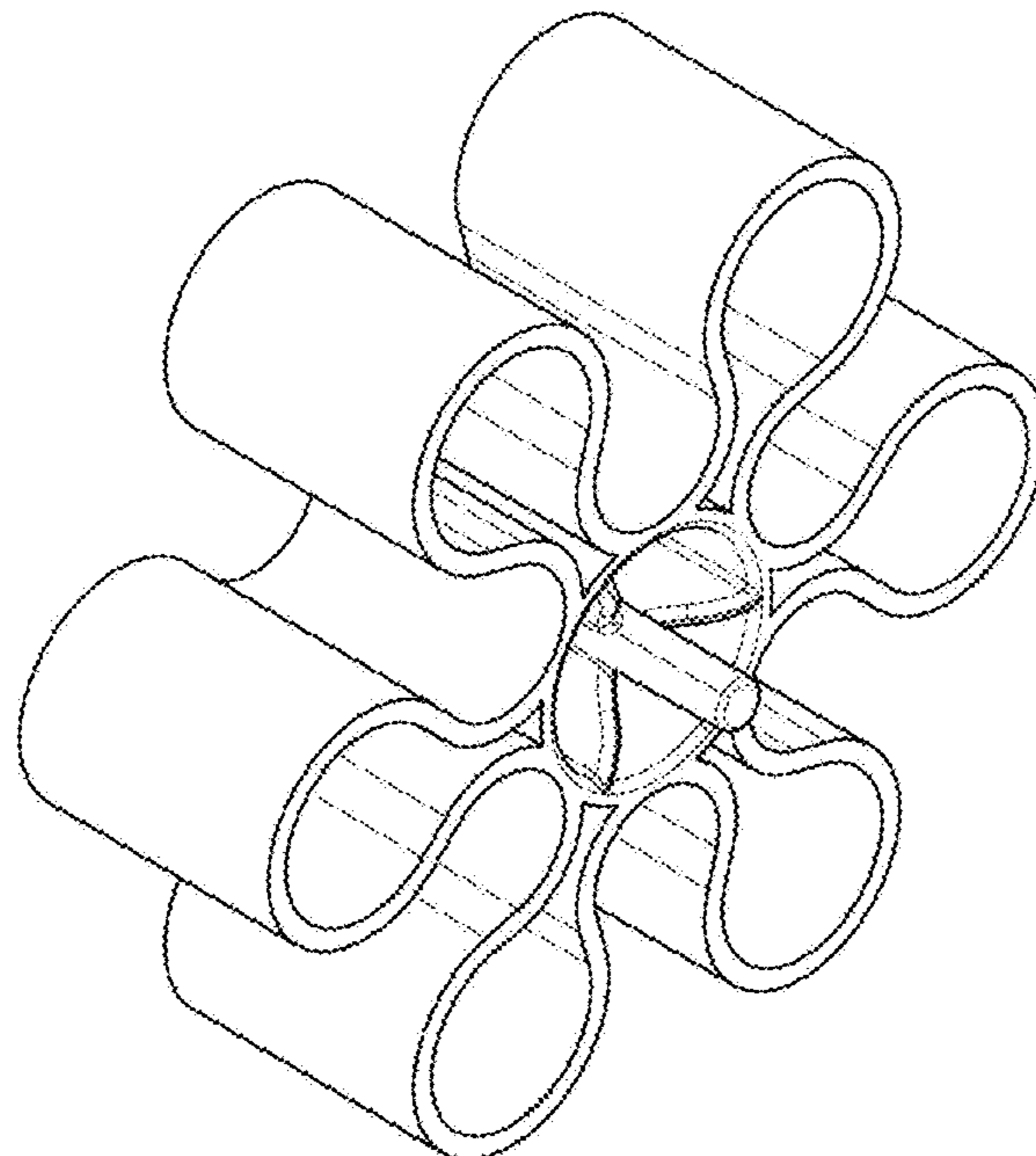
(58) **Field of Classification Search**
 USPC D21/483–532
 CPC A63H 33/04; A63H 33/042; A63H 33/044;
 A63H 33/046; A63H 33/048; A63H
 33/06; A63H 33/062; A63H 33/065;
 A63H 33/067; A63H 33/08; A63H
 33/082; A63H 33/084; A63H 33/086;
 A63H 33/088; A63H 33/10; A63H
 33/101; A63H 33/102; A63H 33/103;
 A63H 33/105; A63H 33/106; A63H
 33/107; A63H 33/108; A63H 33/12;
 A63H 33/14

DESCRIPTION

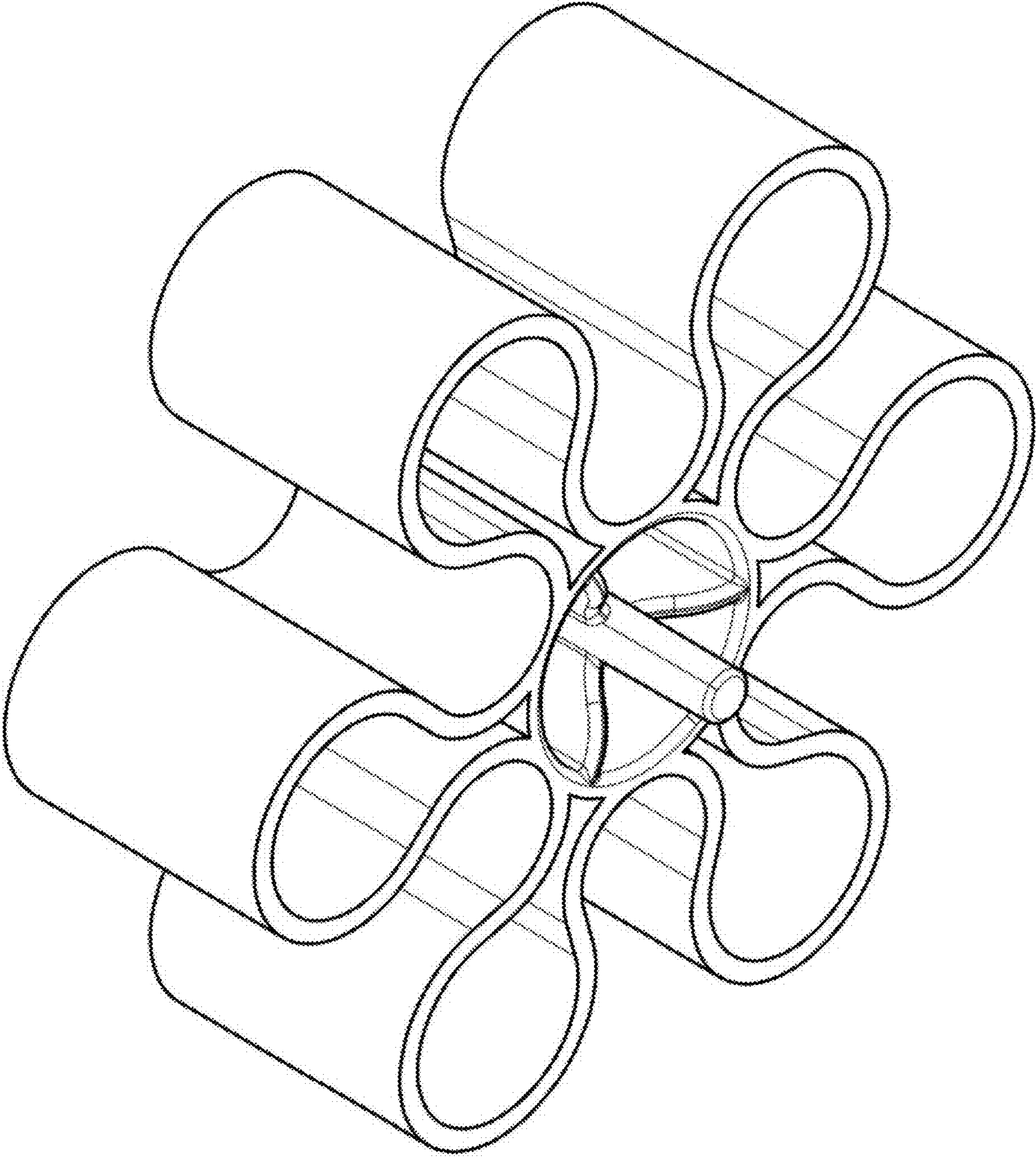
1. Part of a sand and water mill toy
- 1.1 A perspective view of a part of a sand and water mill toy.
- 1.2 A front view thereof.
- 1.3 A rear view thereof.
- 1.4 A left side elevational view thereof.
- 1.5 A right side elevational view thereof.
- 1.6 A top plan view thereof.
- 1.7 A bottom plan view thereof.

See application file for complete search history.

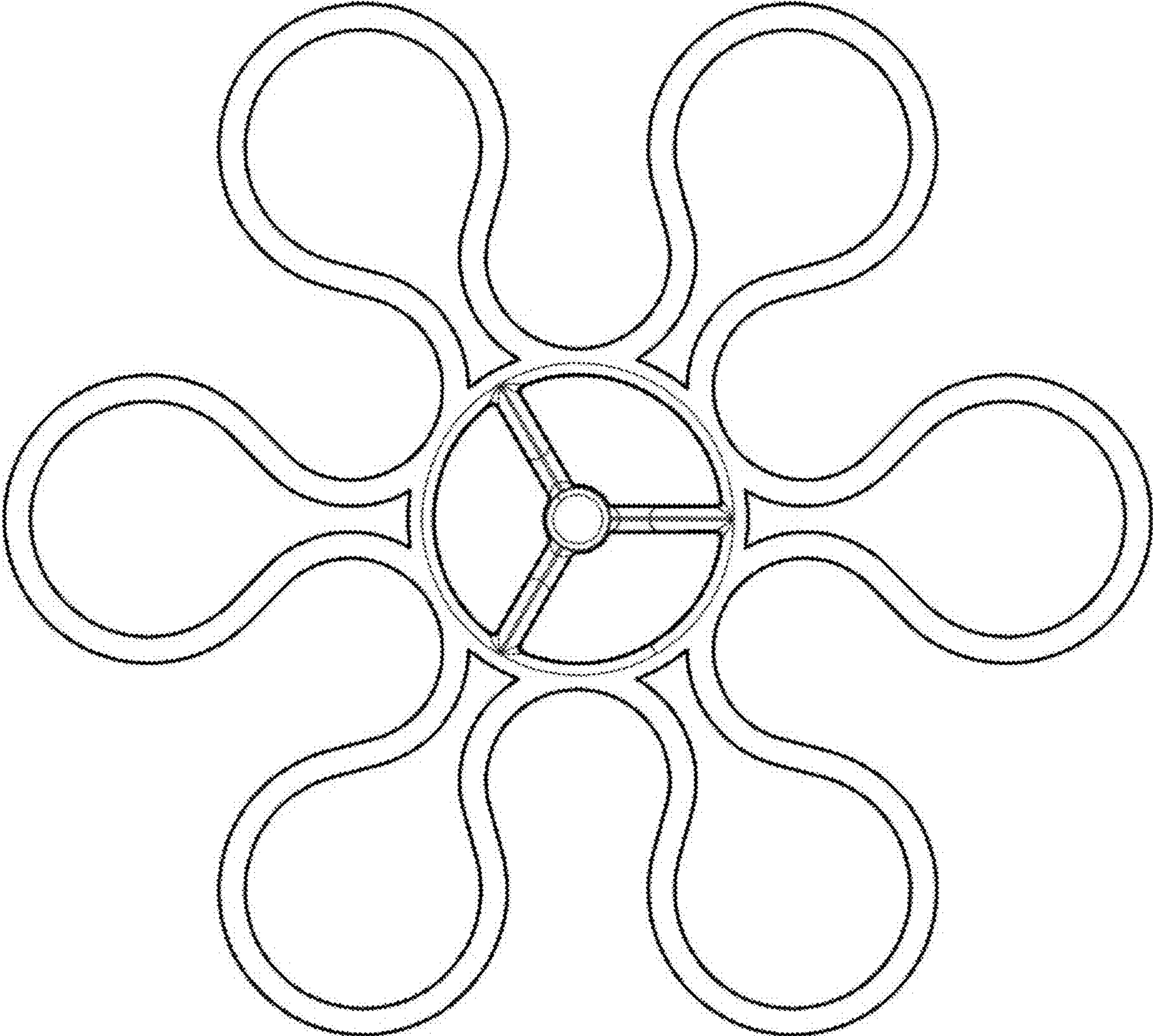
1 Claim, 7 Drawing Sheets



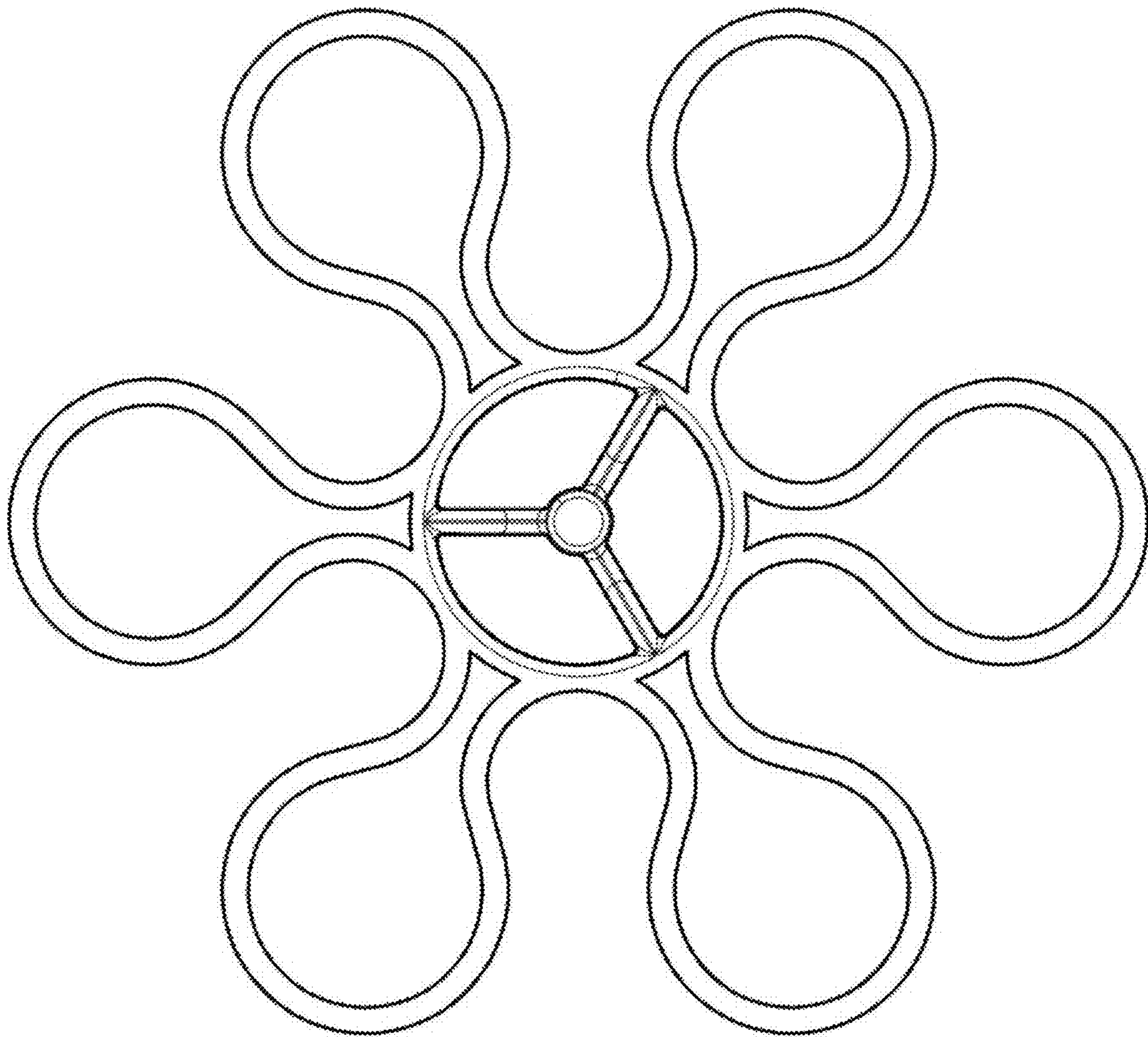
1.1



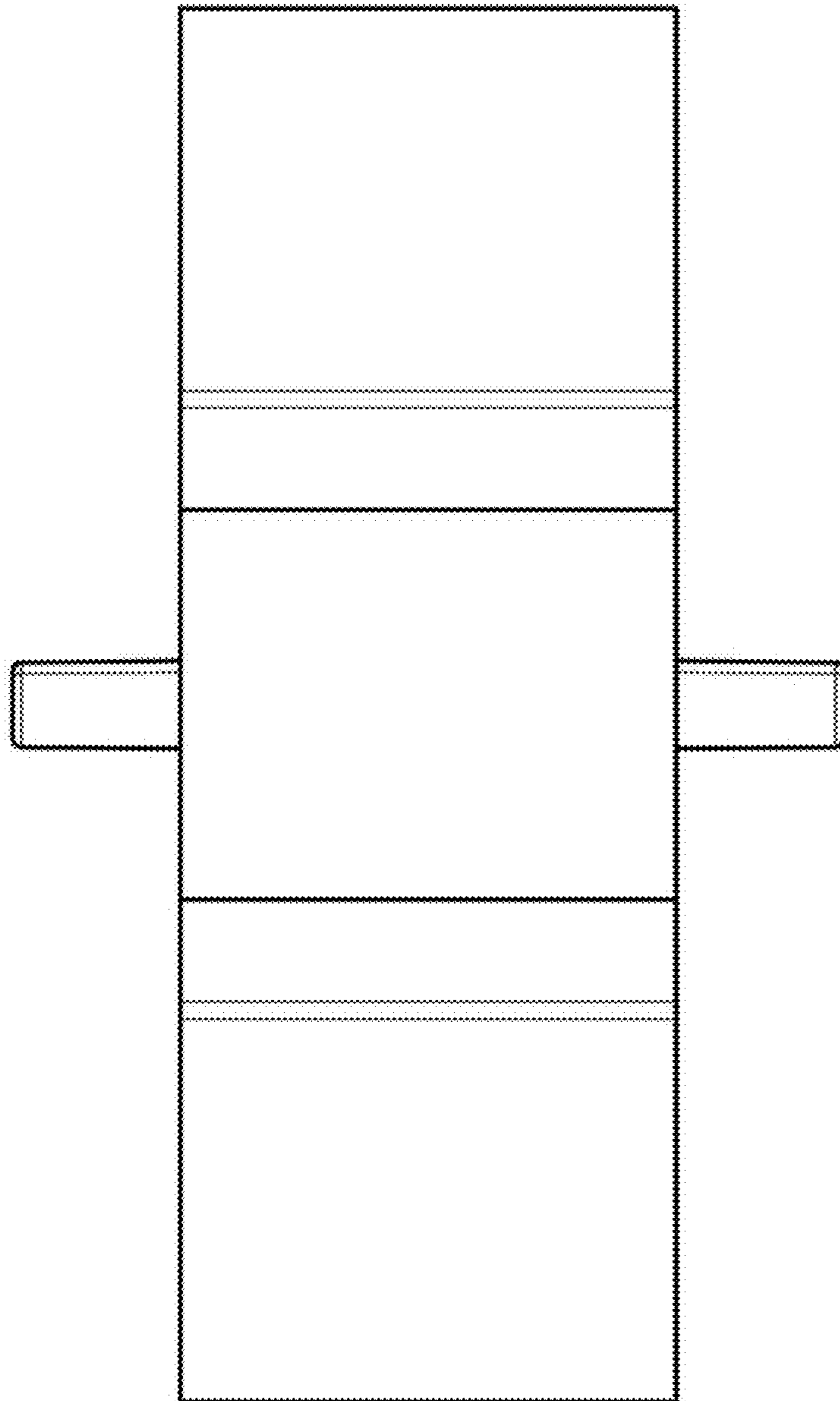
1.2



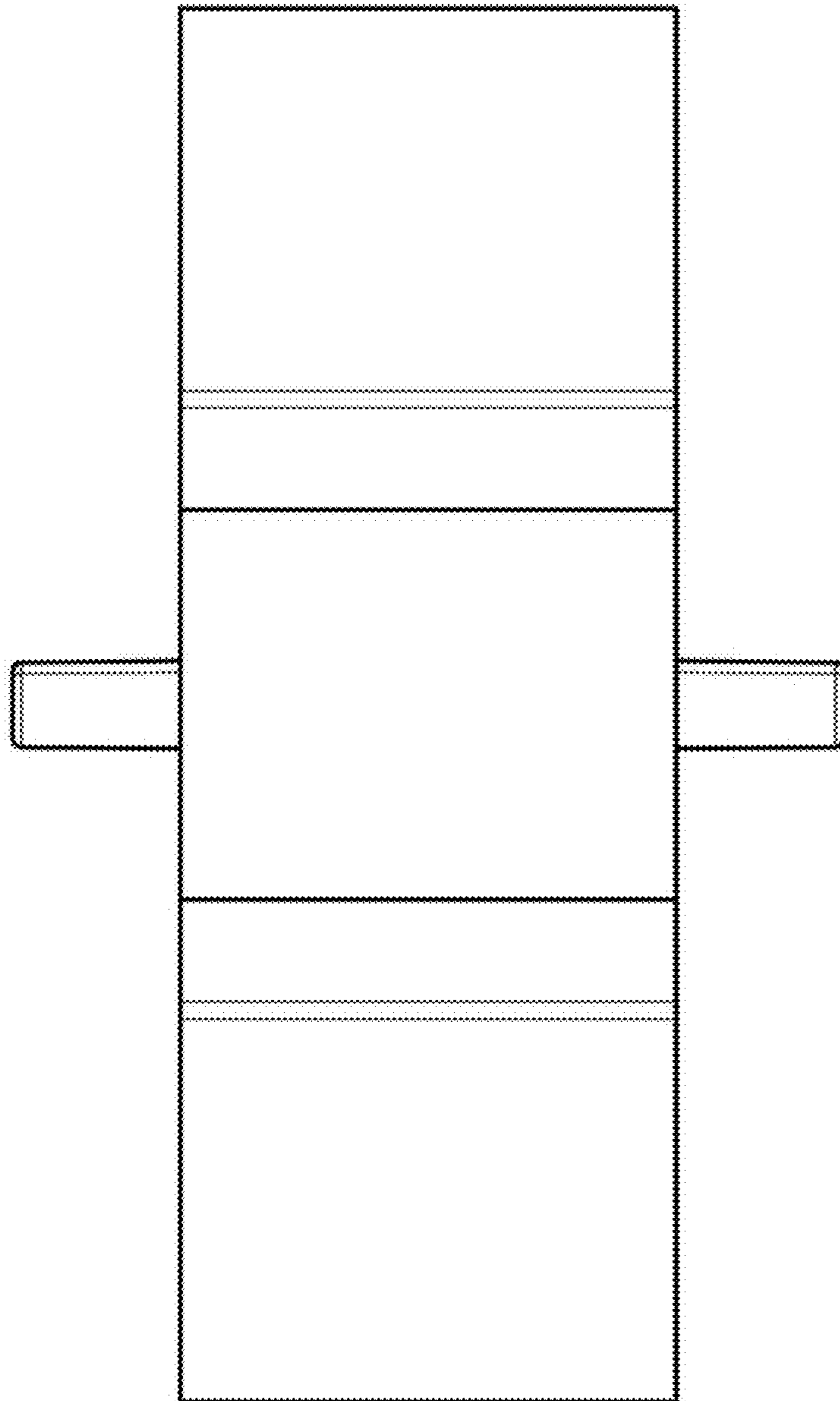
1.3



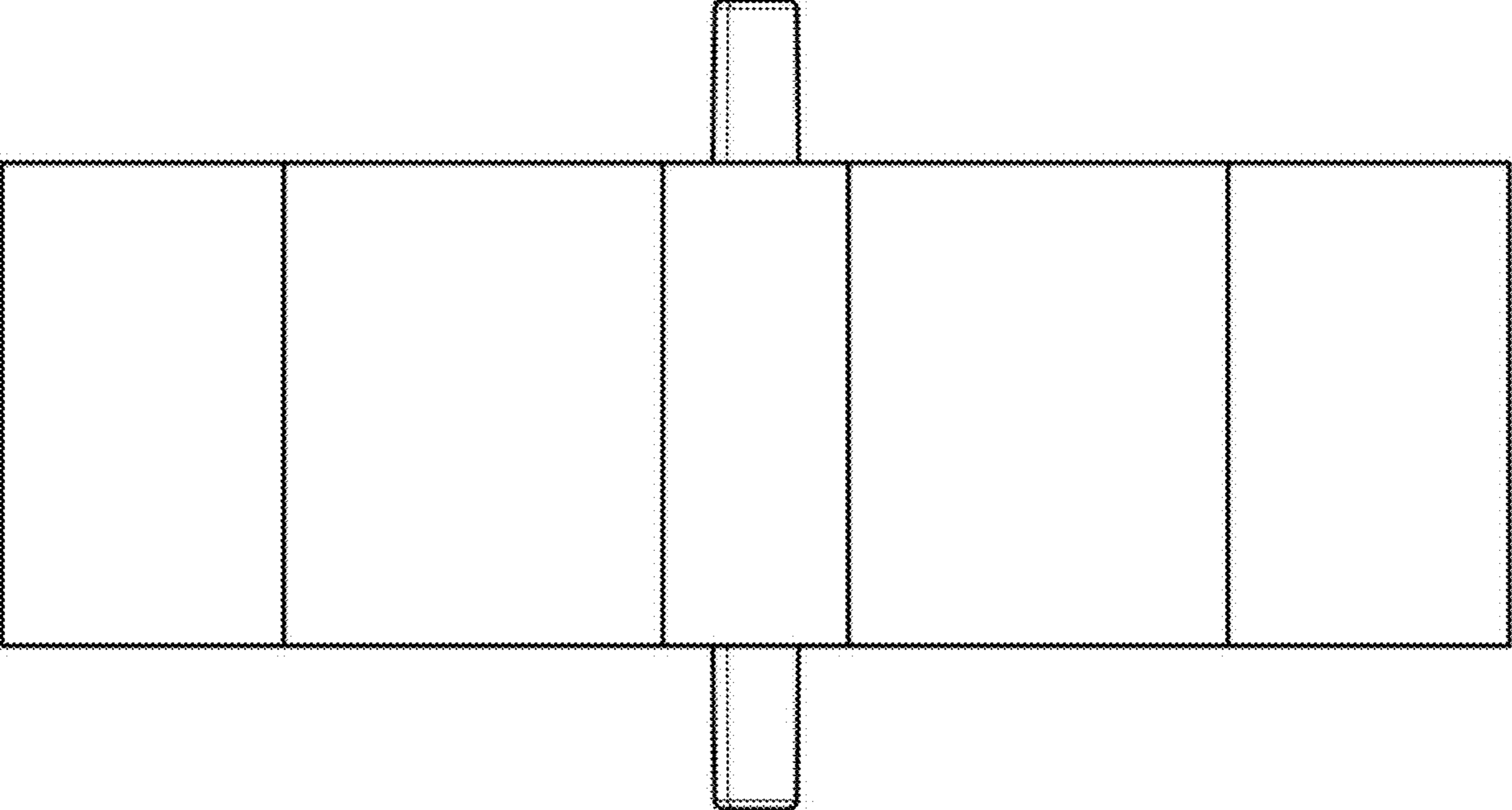
1.4



1.5



1.6



1.7

