



US00D886206S

(12) **United States Design Patent**
Colvin et al.

(10) **Patent No.:** **US D886,206 S**
(45) **Date of Patent:** **** Jun. 2, 2020**

- (54) **GAMING MACHINE SIGNAGE**
- (71) Applicant: **GAMING ARTS, LLC**, Las Vegas, NV (US)
- (72) Inventors: **David Colvin**, Las Vegas, NV (US);
Eric D. Colvin, Las Vegas, NV (US)
- (73) Assignee: **Gaming Arts, LLC**, Las Vegas, NV (US)
- (**) Term: **15 Years**
- (21) Appl. No.: **29/662,808**
- (22) Filed: **Sep. 8, 2018**
- (51) **LOC (12) Cl.** **21-01**
- (52) **U.S. Cl.**
USPC **D21/385**
- (58) **Field of Classification Search**
USPC D21/370, 385
CPC G07F 17/32
See application file for complete search history.

- D665,033 S 8/2012 DeSimone
- D665,853 S 8/2012 DiSimone
- D681,129 S 4/2013 DiSimone
- D814,575 S * 4/2018 Colvin D21/385
- D846,651 S * 4/2019 Colvin D21/385

* cited by examiner

Primary Examiner — George D. Kirschbaum
(74) *Attorney, Agent, or Firm* — David L. Berdan

(57) **CLAIM**

The ornamental design for gaming machine signage, as shown and described.

DESCRIPTION

FIG. 1 is a perspective view of the gaming machine signage showing our new design;
 FIG. 2 is a front elevational view of the gaming machine signage of FIG. 1;
 FIG. 3 is a left side elevational view of the gaming machine signage of FIG. 1;
 FIG. 4 is a right side elevational view of the gaming machine signage of FIG. 1;
 FIG. 5 is a rear elevational view of the gaming machine signage of FIG. 1;
 FIG. 6 is a top plan view of the gaming machine signage of FIG. 1; and,
 FIG. 7 is a bottom plan view of the gaming machine signage of FIG. 1.

In the drawings, the broken lines depict environmental subject matter only and form no part of the claimed design.

1 Claim, 2 Drawing Sheets

- (56) **References Cited**
U.S. PATENT DOCUMENTS
- D383,802 S 9/1997 Levy
- D412,347 S 7/1999 DiSimone
- D519,571 S 4/2006 Myers
- D524,380 S * 7/2006 Seelig D21/370
- D536,390 S 2/2007 Van Ness
- D536,391 S 2/2007 Van Ness
- D569,919 S * 5/2008 Zielinski D21/370
- 7,614,949 B2 * 11/2009 Anderson G07F 17/32
273/138.2
- D624,604 S 9/2010 Wudtke

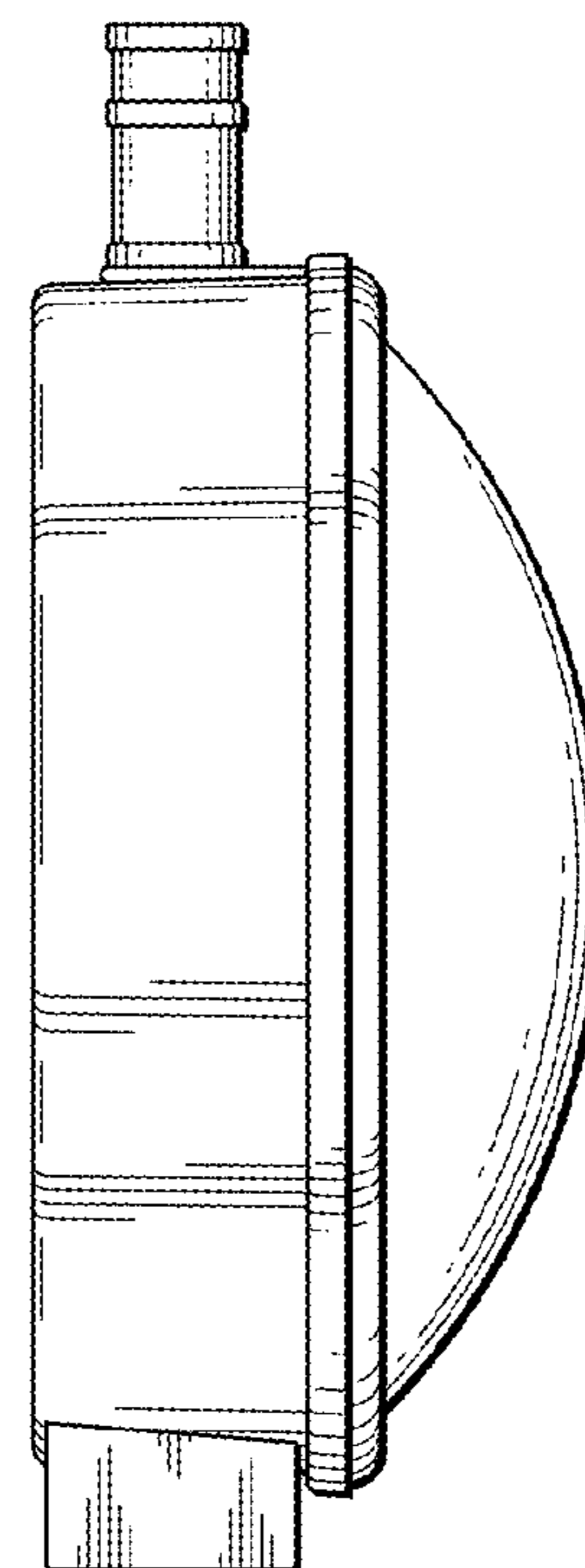
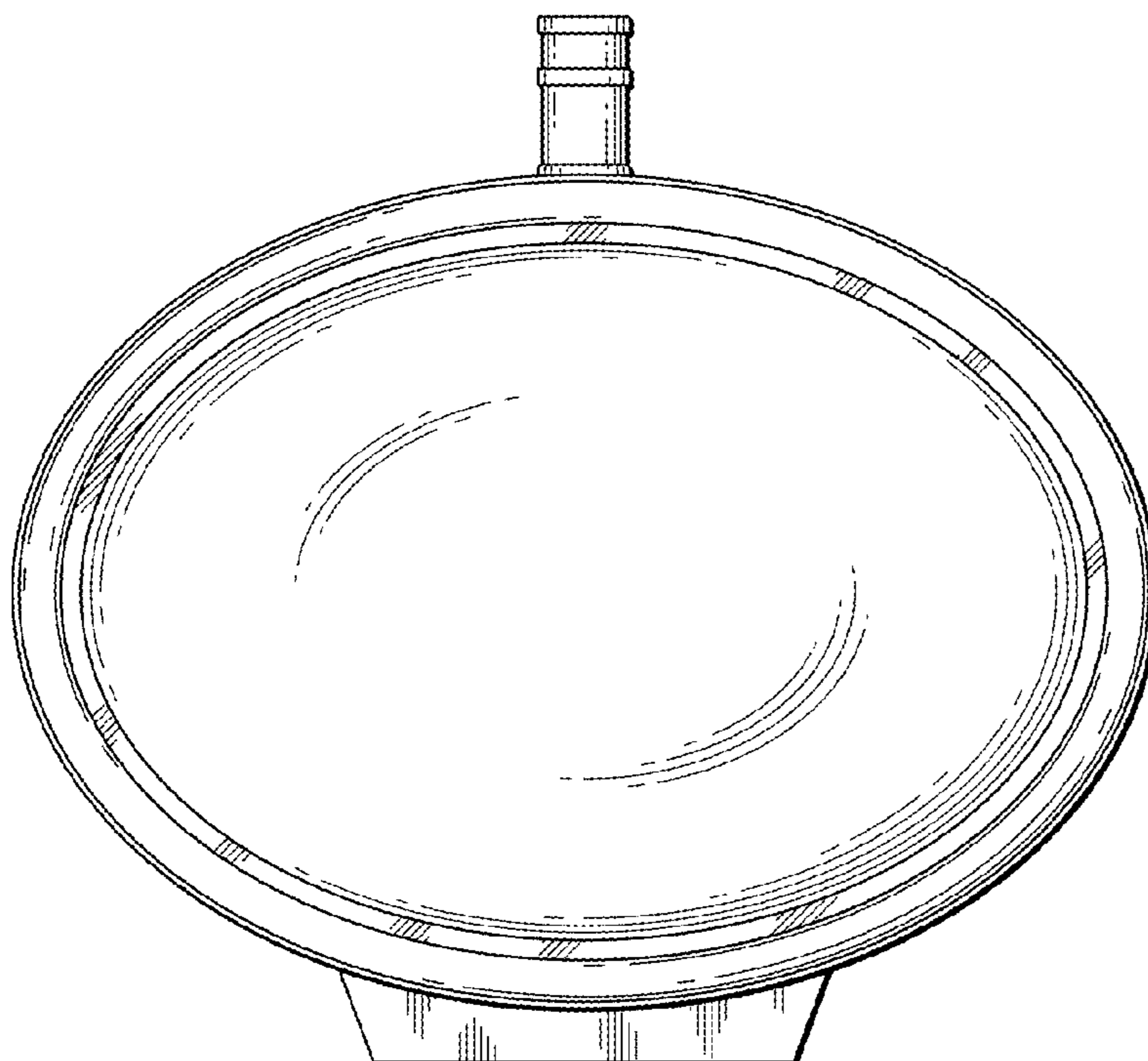


FIG. 1

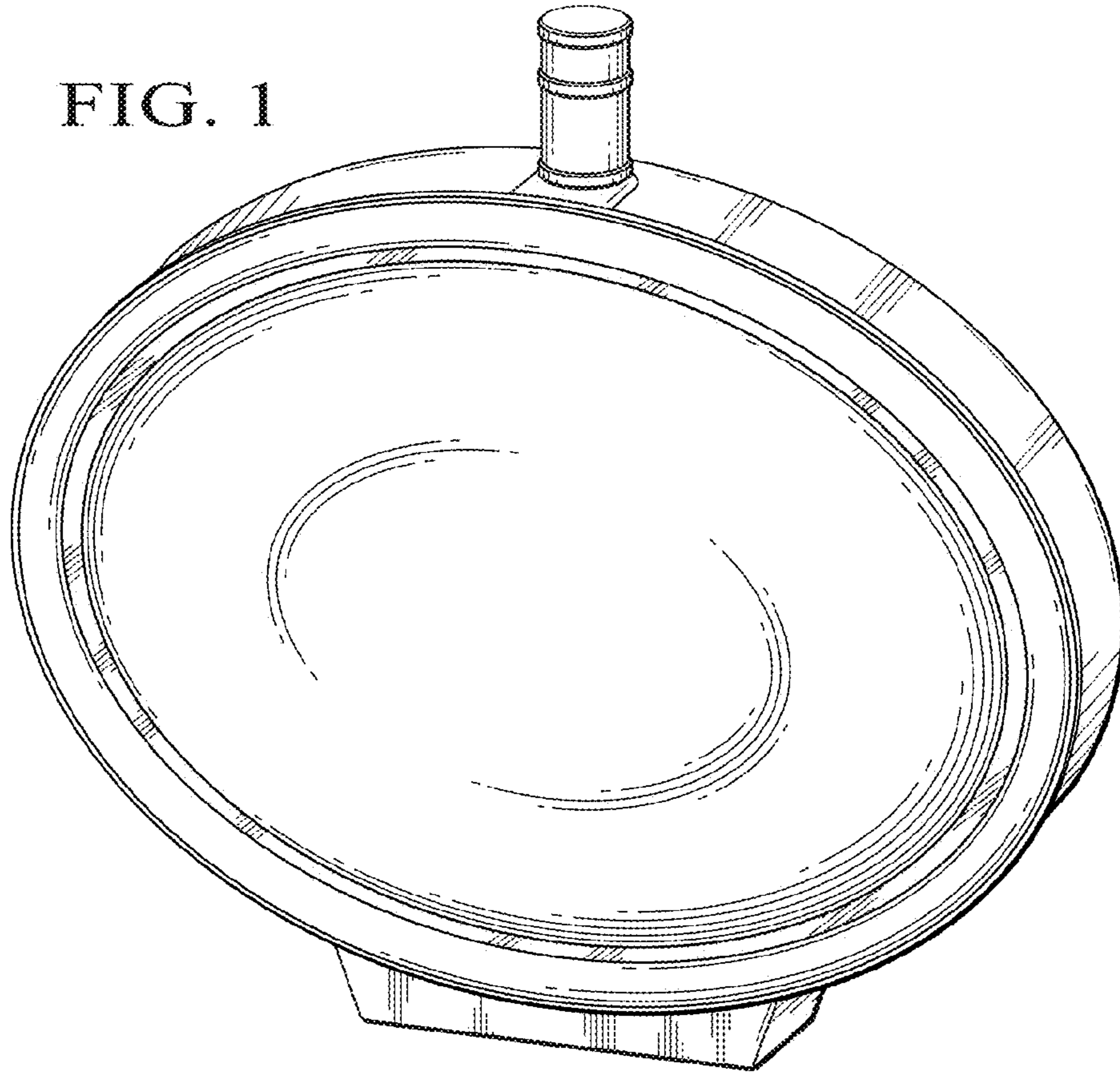


FIG. 2

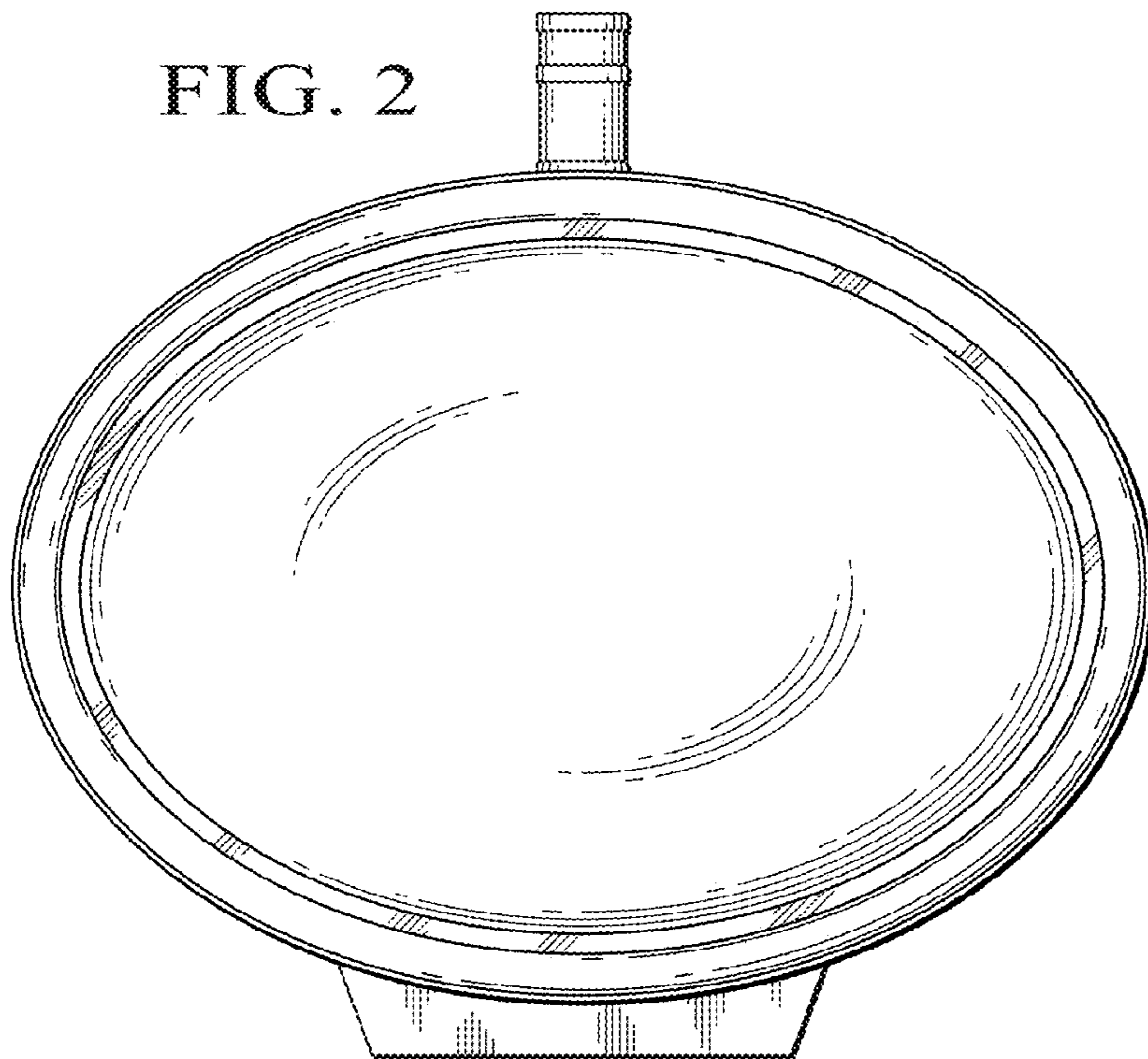
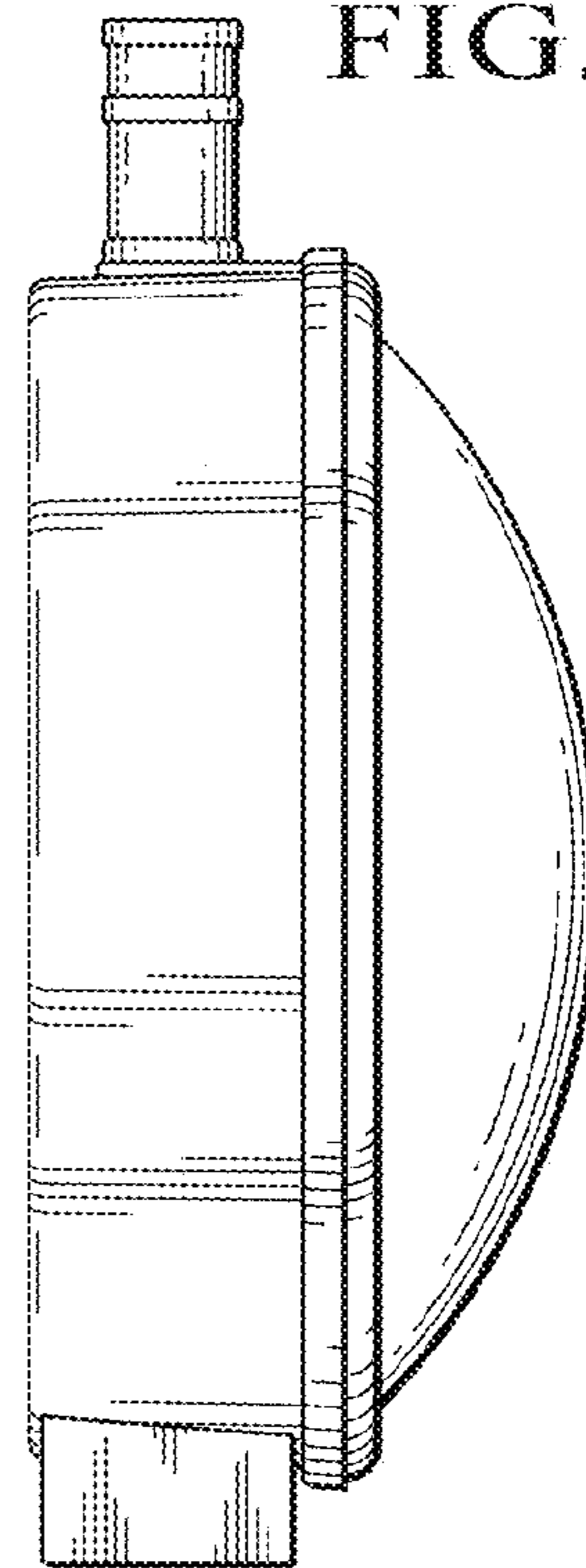


FIG. 3



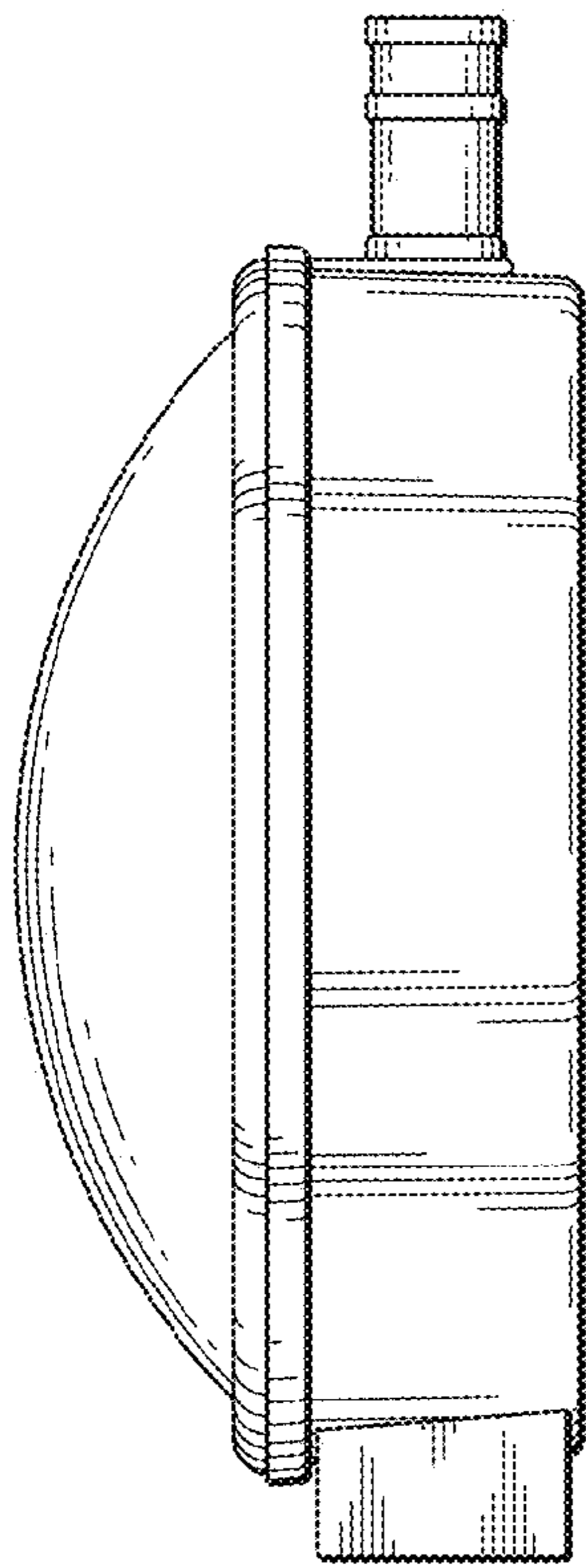


FIG. 4

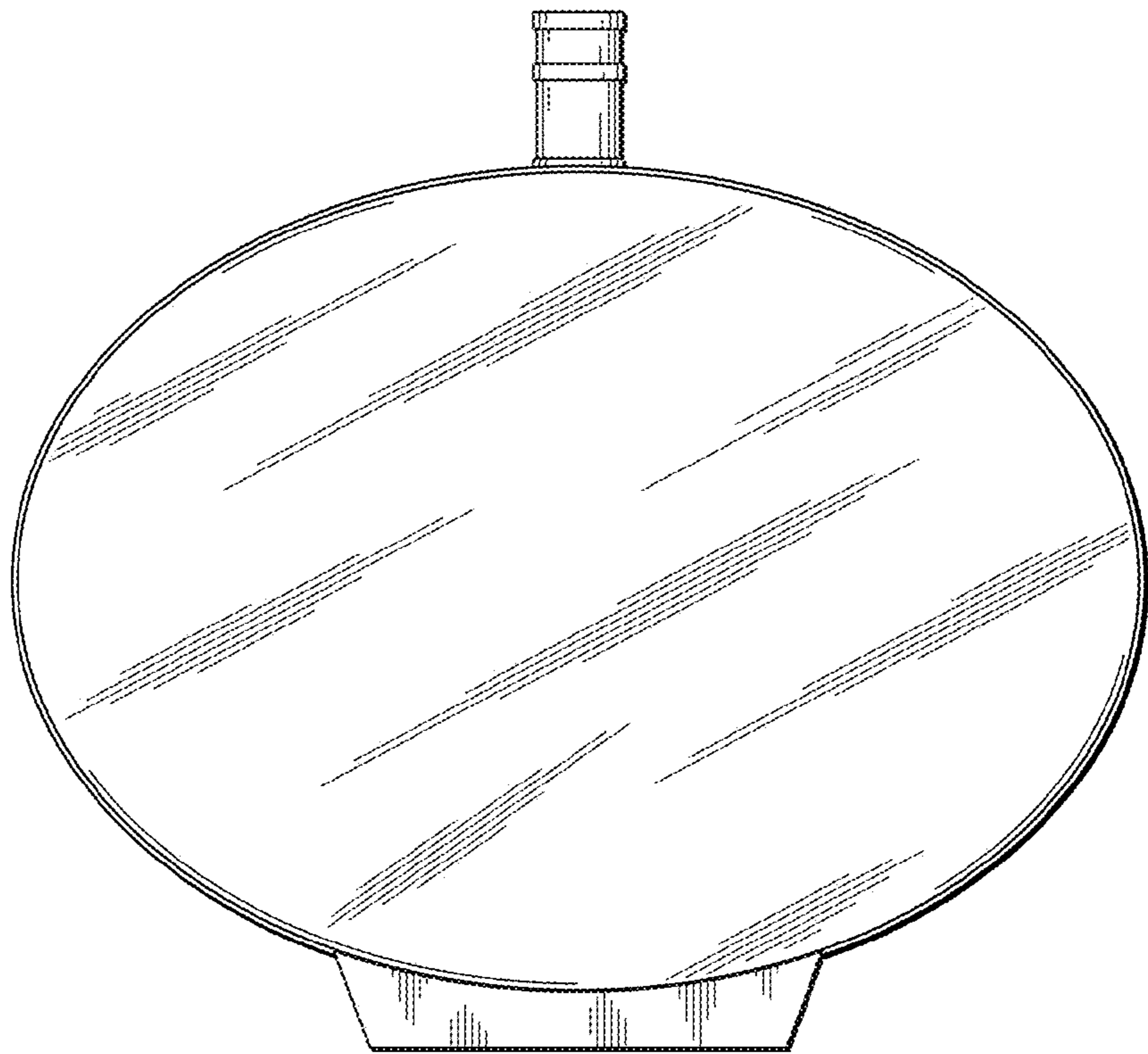


FIG. 5

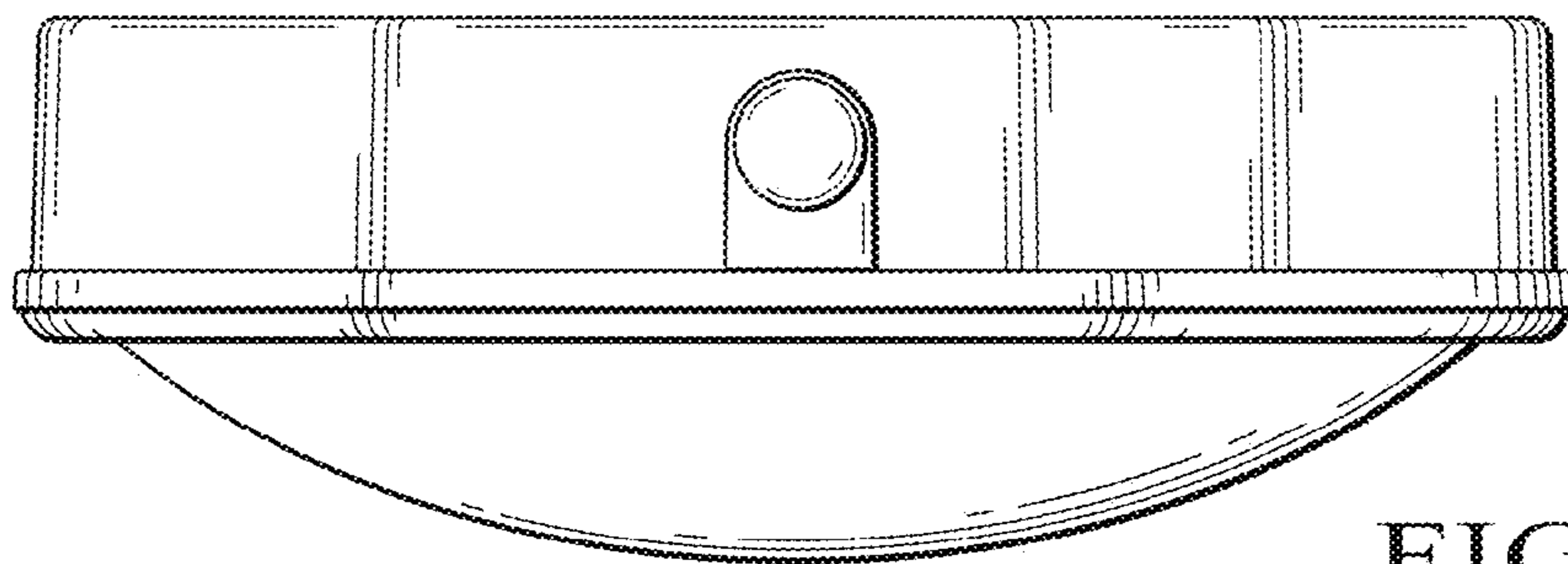


FIG. 6

FIG. 7

