



US00D886201S

(12) **United States Design Patent** (10) **Patent No.:** **US D886,201 S**  
**Kanter** (45) **Date of Patent:** **\*\* Jun. 2, 2020**

(54) **VIDEO GAME CONSOLE WALL MOUNT**  
(71) Applicant: **HumanCentric Ventures LLC**, Skokie, IL (US)  
(72) Inventor: **Simcha Kanter**, Chicago, IL (US)  
(73) Assignee: **HumanCentric Ventures LLC**, Skokie, IL (US)  
(\*\*) Term: **15 Years**  
(21) Appl. No.: **29/647,211**  
(22) Filed: **May 10, 2018**  
(51) **LOC (12) Cl.** ..... **21-01**  
(52) **U.S. Cl.**  
USPC ..... **D21/333**; D8/354  
(58) **Field of Classification Search**  
USPC ..... D21/333; D14/217, 229, 230–238, 251, D14/260.1, 313–316, 432, 433, 447, 471; D6/315, 320.328; D8/354, 387, 358, 356, D8/363–366, 371, 373, 380–383, 398; D20/22, 27, 42, 43  
CPC ..... H05K 7/14; F21V 21/041; F21V 21/042; F21V 21/0832; A47B 87/00; A47B 96/02; A47B 96/06  
See application file for complete search history.

D713,467 S \* 9/2014 Sawhney ..... D21/324  
D737,124 S \* 8/2015 Sasanecki ..... D8/366  
D772,217 S \* 11/2016 Alesi ..... D14/253  
D811,200 S \* 2/2018 Gupta ..... D8/354  
D820,665 S \* 6/2018 DeDios-Shirley ..... D8/354  
D822,453 S \* 7/2018 Kanter ..... D8/354  
D822,650 S \* 7/2018 Kanter ..... D14/238  
D823,095 S \* 7/2018 Stahl ..... D8/354  
D839,078 S \* 1/2019 Stahl ..... D8/349  
D853,377 S \* 7/2019 Crandon ..... D14/253  
D866,298 S \* 11/2019 Kanter ..... D8/354  
2004/0188573 A1 \* 9/2004 Weatherly ..... A47B 81/061  
248/125.1  
2007/0187402 A1 \* 8/2007 Dinh ..... H02G 3/126  
220/3.9  
2009/0052128 A1 \* 2/2009 Yeh ..... F16M 11/041  
361/679.27  
2012/0168516 A1 \* 7/2012 Bolger ..... G06K 19/07758  
235/492  
2017/0188724 A1 \* 7/2017 Lin ..... E05B 73/0082  
2018/0266109 A1 \* 9/2018 Haba ..... E04B 2/763

\* cited by examiner

*Primary Examiner* — Sandra S Snapp  
*Assistant Examiner* — Mehri F Bajoul

(57) **CLAIM**

The ornamental design for a video game console wall mount, as shown and described.

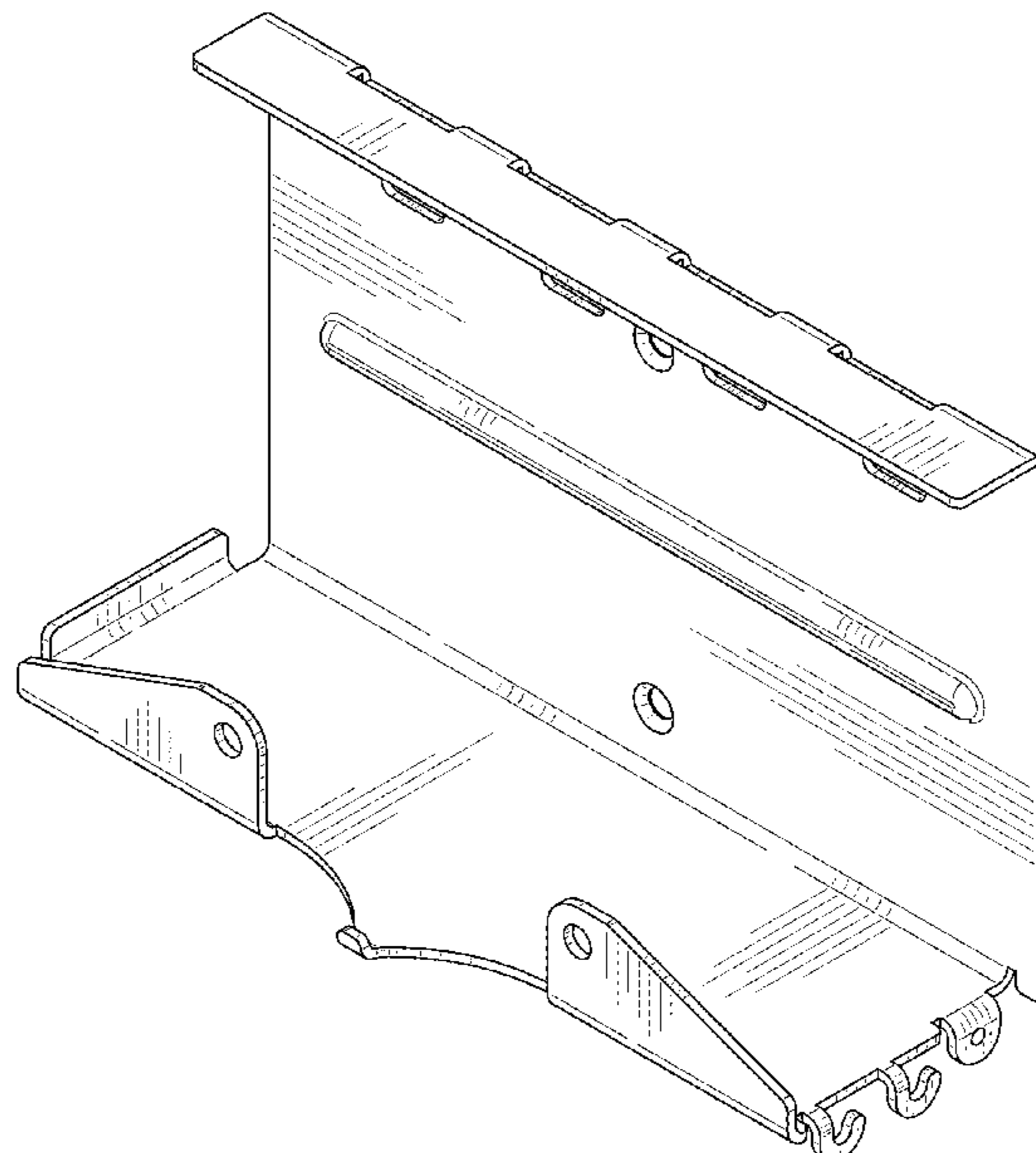
**DESCRIPTION**

FIG. 1 is a perspective view of the video game console wall mount showing my new design;  
FIG. 2 is a front view thereof;  
FIG. 3 is a back view thereof;  
FIG. 4 is a left side view thereof;  
FIG. 5 is a right side view thereof;  
FIG. 6 is a top view thereof; and,  
FIG. 7 is a bottom view thereof.

**1 Claim, 4 Drawing Sheets**

(56) **References Cited**  
U.S. PATENT DOCUMENTS

D561,563 S \* 2/2008 Hoffner ..... D8/354  
D565,399 S \* 4/2008 Grey ..... D8/380  
D599,193 S \* 9/2009 Meyer ..... D8/354  
D622,114 S \* 8/2010 Balliet ..... D8/16  
D652,951 S \* 1/2012 Crane ..... D25/61  
D654,063 S \* 2/2012 Sergi ..... D14/238  
D654,350 S \* 2/2012 Preda ..... D8/354  
D656,006 S \* 3/2012 Underkofler ..... D8/380  
D705,362 S \* 5/2014 Satake ..... D21/333



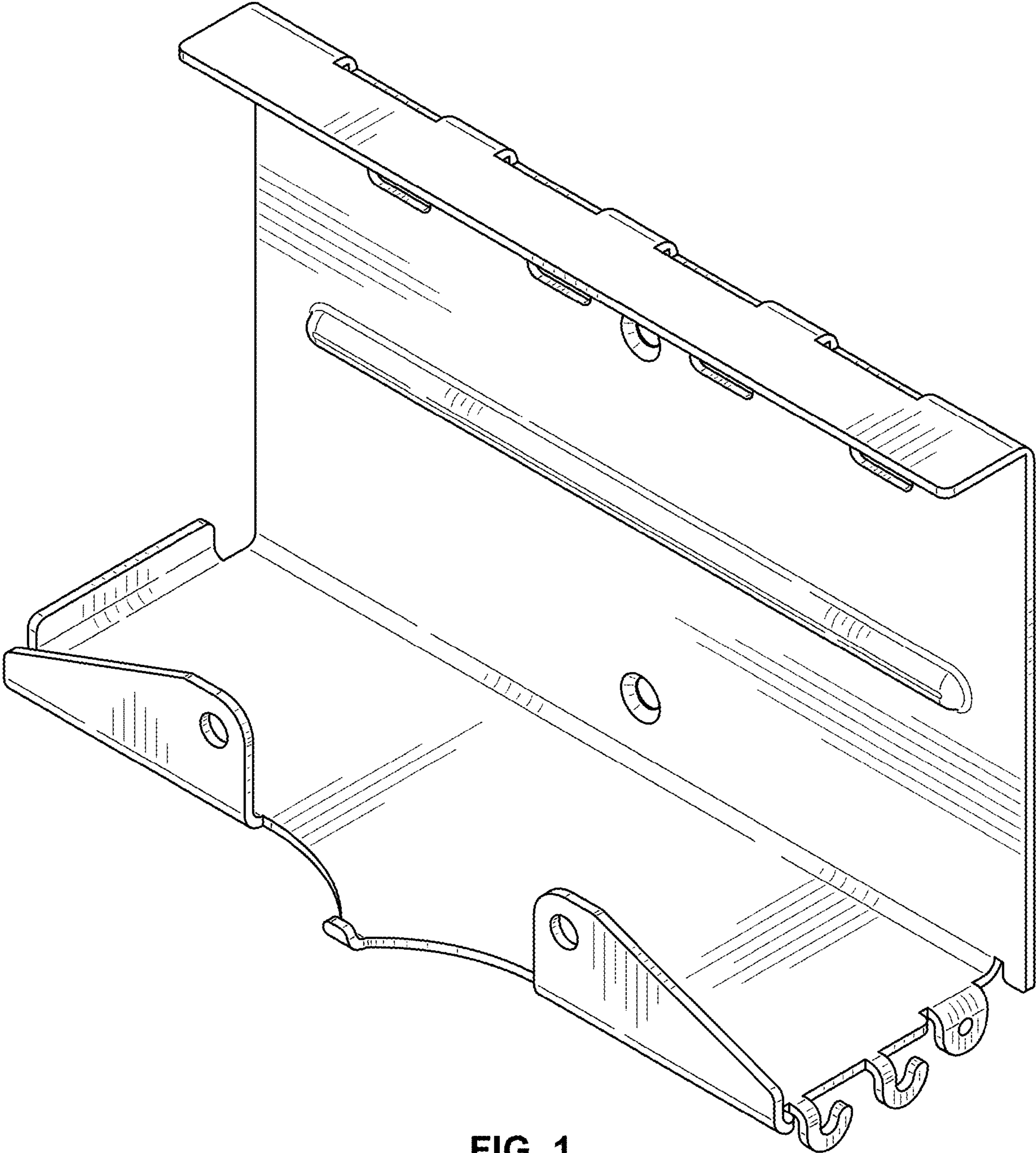


FIG. 1

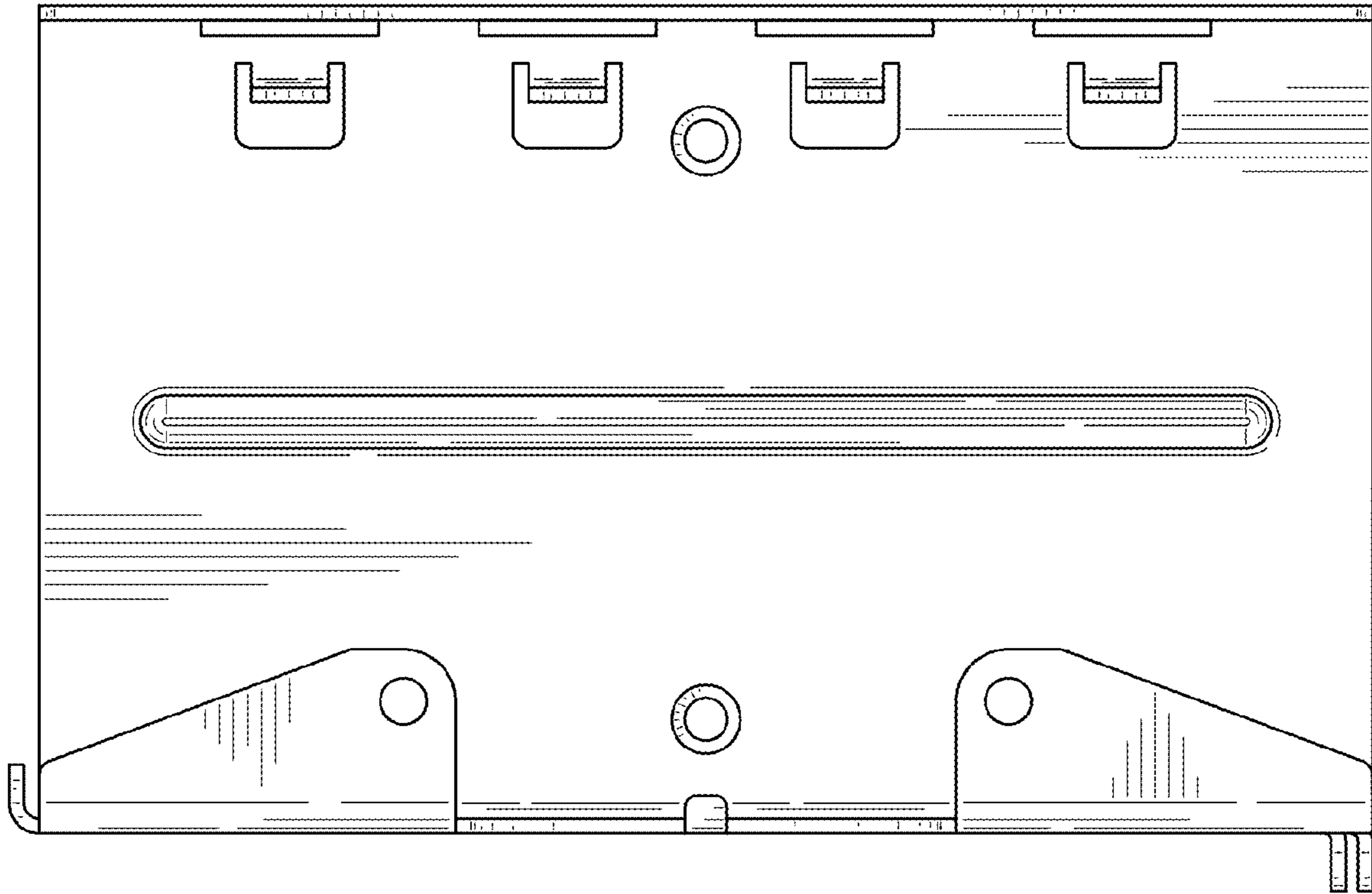


FIG. 2

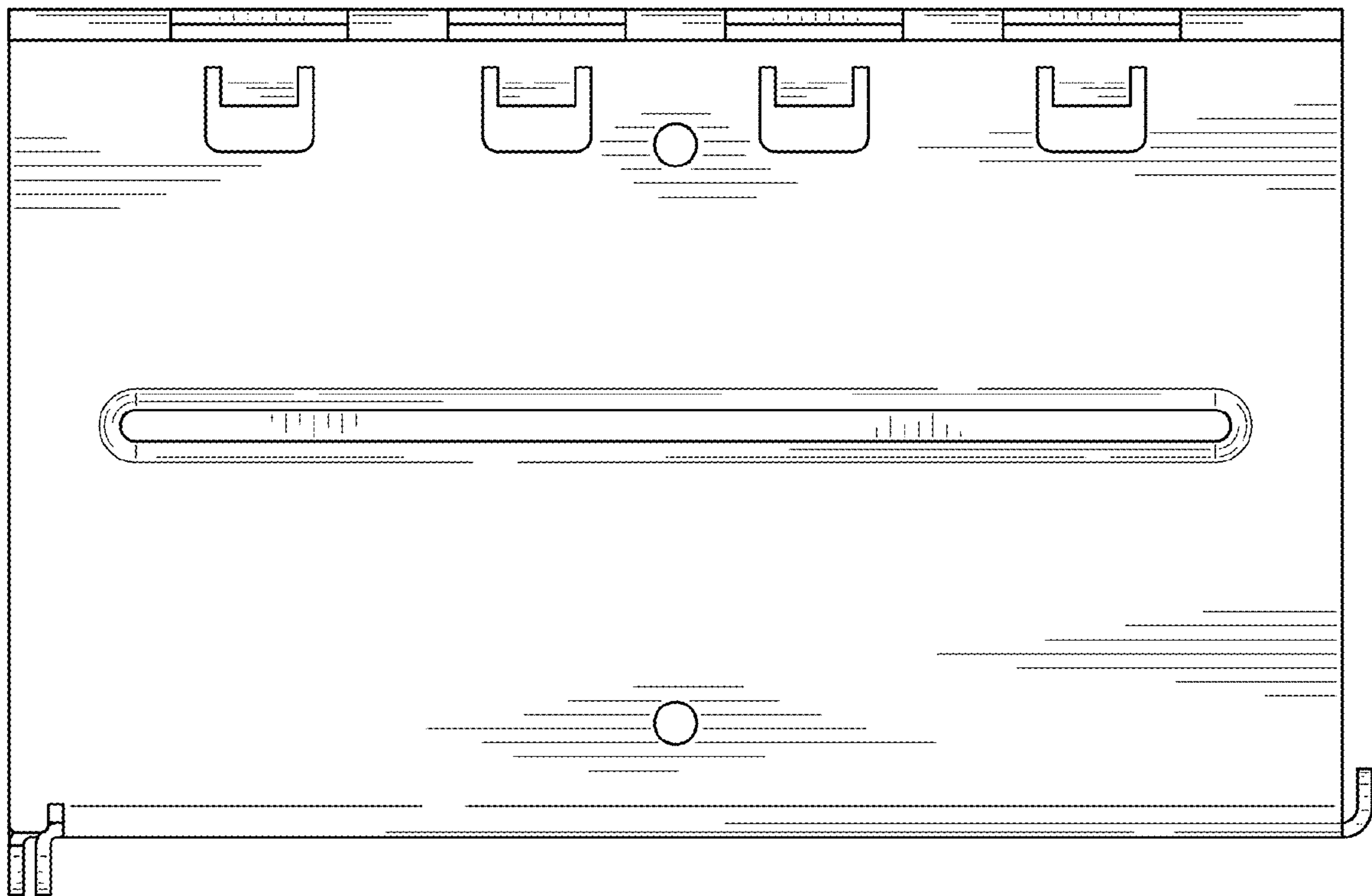


FIG. 3

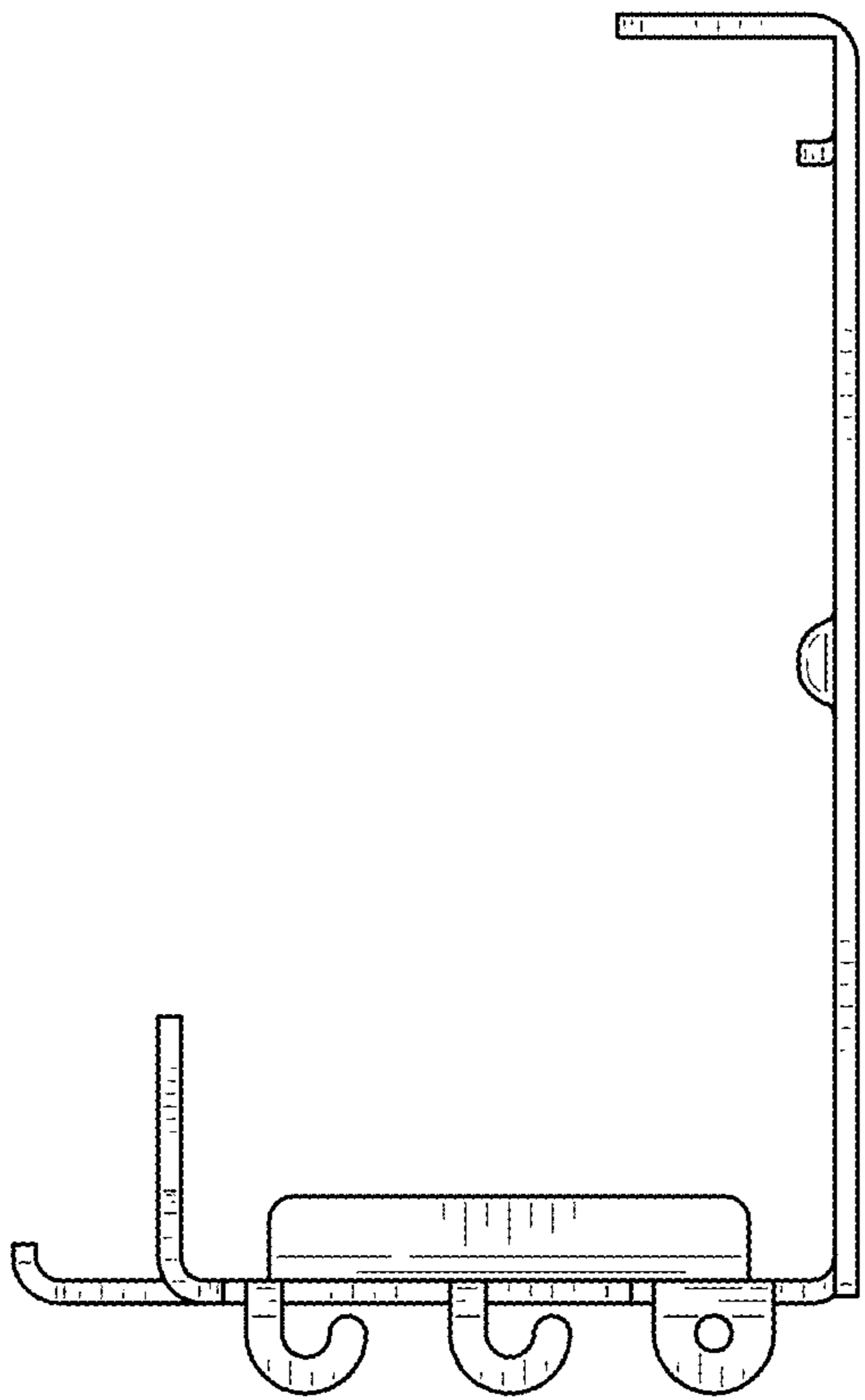


FIG. 4

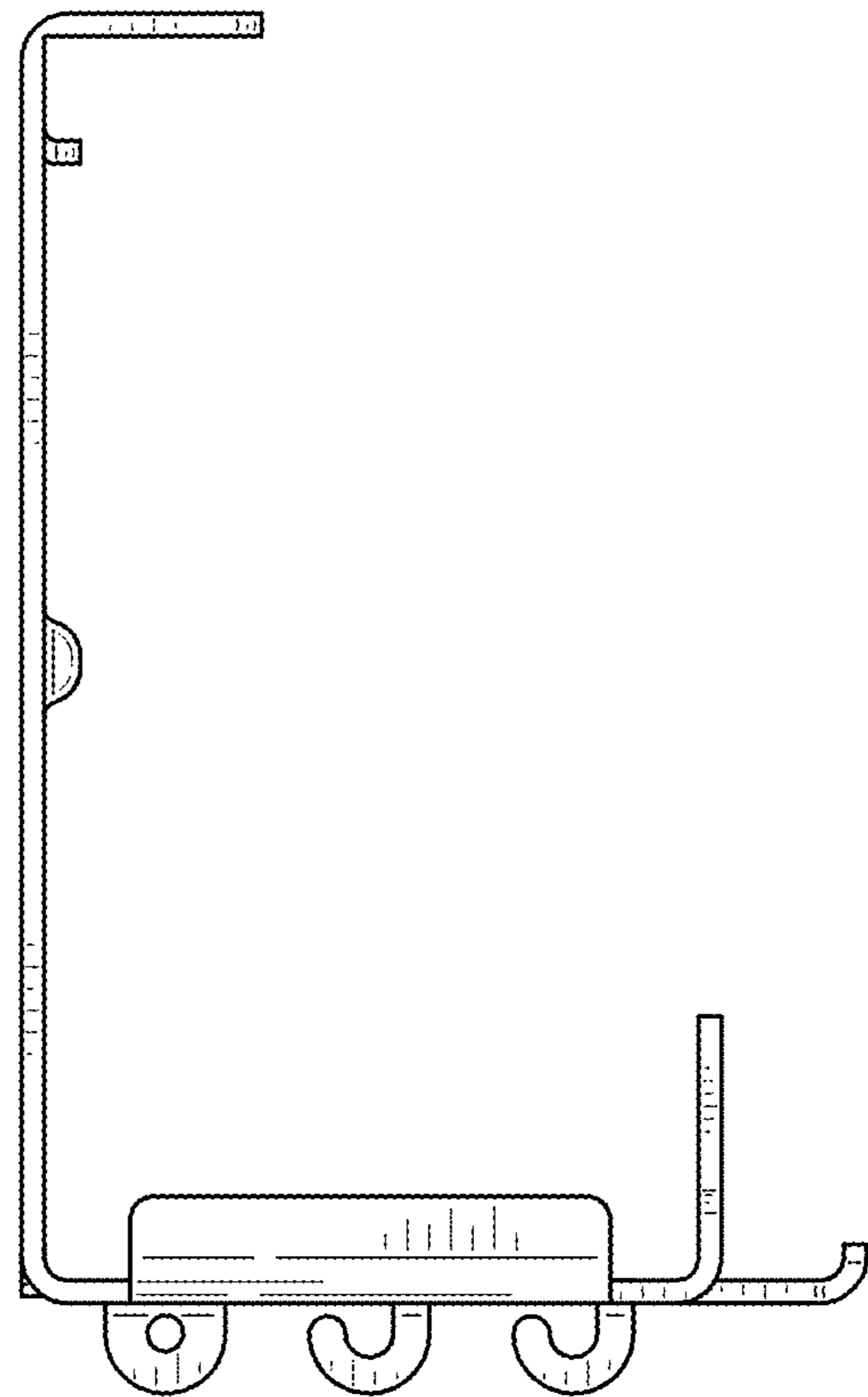


FIG. 5

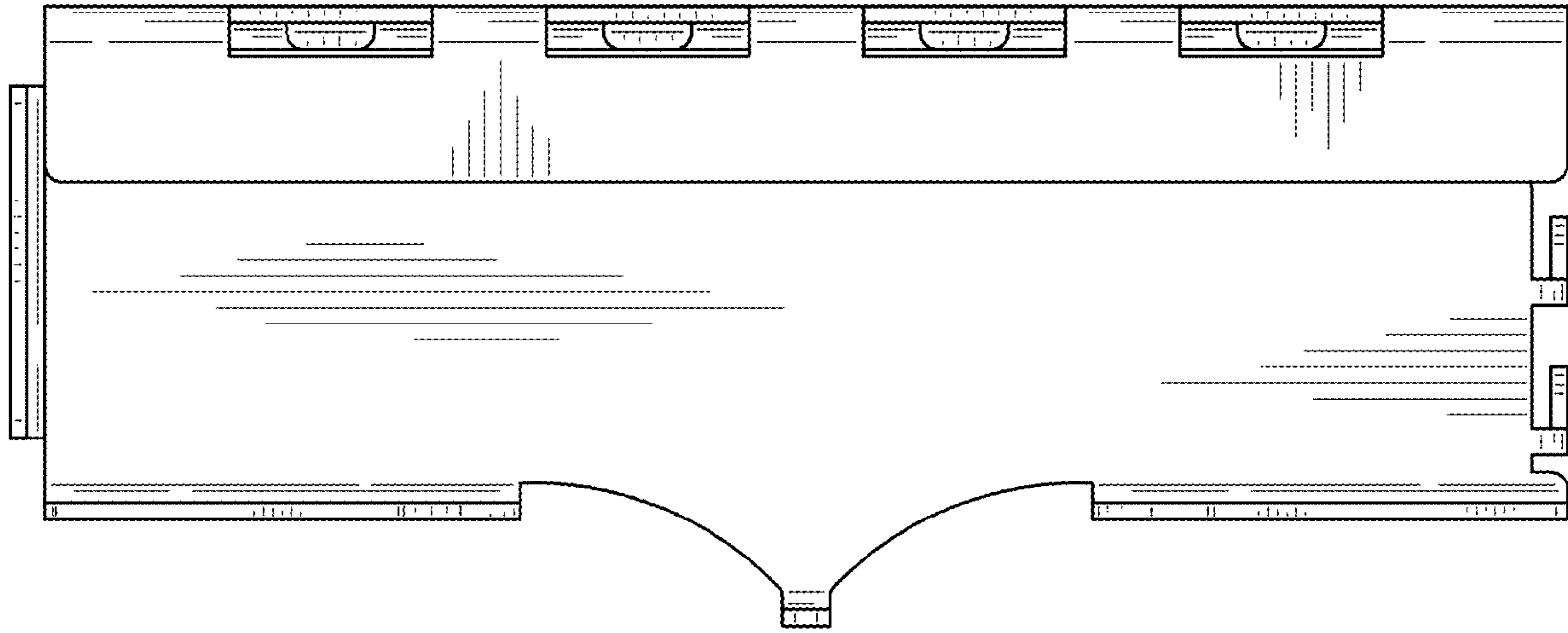


FIG. 6

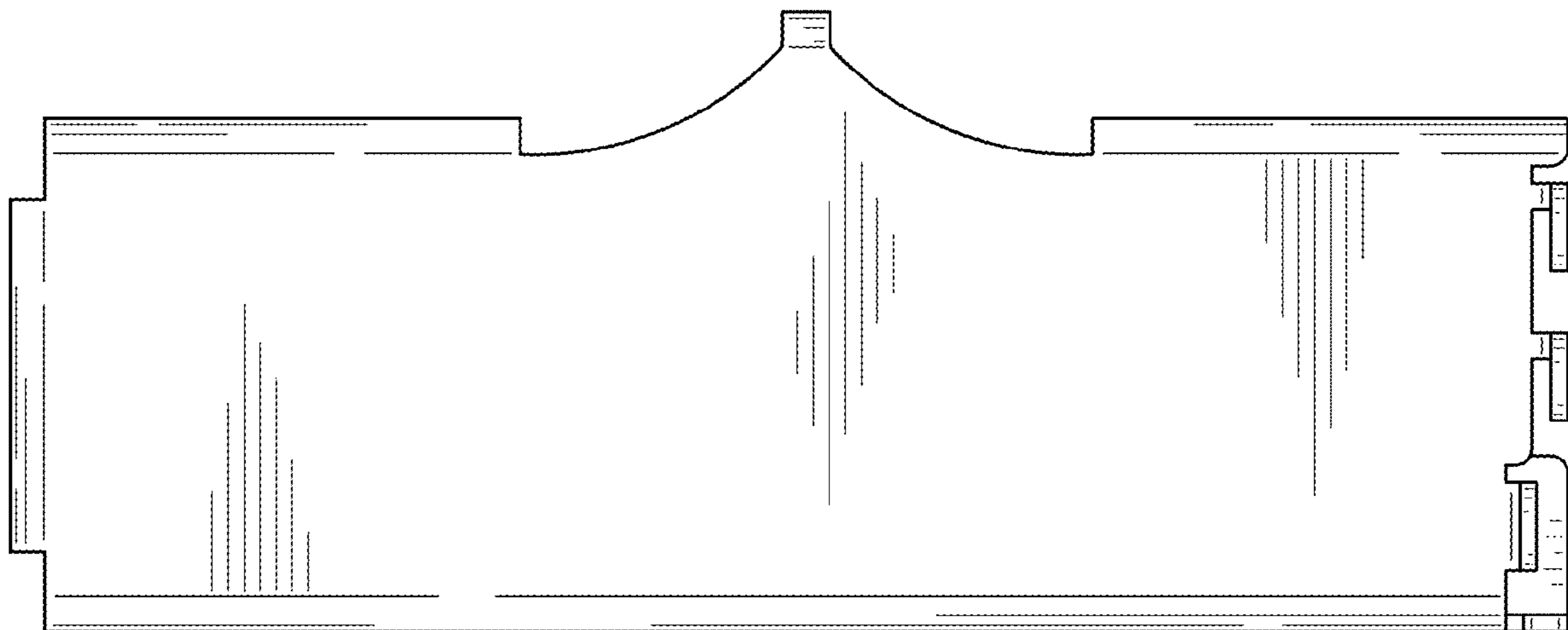


FIG. 7