



US00D886200S

(12) **United States Design Patent** (10) **Patent No.:** **US D886,200 S**
Morisawa (45) **Date of Patent:** **** Jun. 2, 2020**

(54) **GAME CARTRIDGE**

(56) **References Cited**

(71) Applicant: **SONY INTERACTIVE ENTERTAINMENT INC.**, Tokyo (JP)

U.S. PATENT DOCUMENTS

(72) Inventor: **Yujin Morisawa**, Tokyo (JP)

| | | | |
|--------------|--------|--------------|---------|
| D333,325 S * | 2/1993 | So | D21/333 |
| D344,700 S * | 3/1994 | Barr | D14/435 |
| D366,242 S * | 1/1996 | Goto | D13/147 |
| D368,082 S * | 3/1996 | Goto | D14/435 |
| D383,801 S * | 9/1997 | Oikawa | D14/358 |

(73) Assignee: **SONY INTERACTIVE ENTERTAINMENT INC.**, Tokyo (JP)

(Continued)

(**) Term: **15 Years**

Primary Examiner — Sandra S Snapp

Assistant Examiner — Mehri F Bajoul

(21) Appl. No.: **29/627,939**

(74) *Attorney, Agent, or Firm* — Michael Best & Friedrich LLP

(22) Filed: **Nov. 30, 2017**

(57) **CLAIM**

(30) **Foreign Application Priority Data**

The ornamental design for a game cartridge, as shown and described.

| | | |
|--------------|------------|----------------|
| May 31, 2017 | (CN) | 2017 3 0214089 |
| May 31, 2017 | (CN) | 2017 3 0214555 |
| May 31, 2017 | (CN) | 2017 3 0214606 |
| May 31, 2017 | (CN) | 2017 3 0215179 |
| May 31, 2017 | (JP) | D2017-011749 |
| May 31, 2017 | (JP) | D2017-011750 |
| May 31, 2017 | (JP) | D2017-011751 |
| May 31, 2017 | (JP) | D2017-011752 |
| May 31, 2017 | (JP) | D2017-011763 |

DESCRIPTION

(51) **LOC (12) Cl.** **21-01**

(52) **U.S. Cl.**
USPC **D21/333**

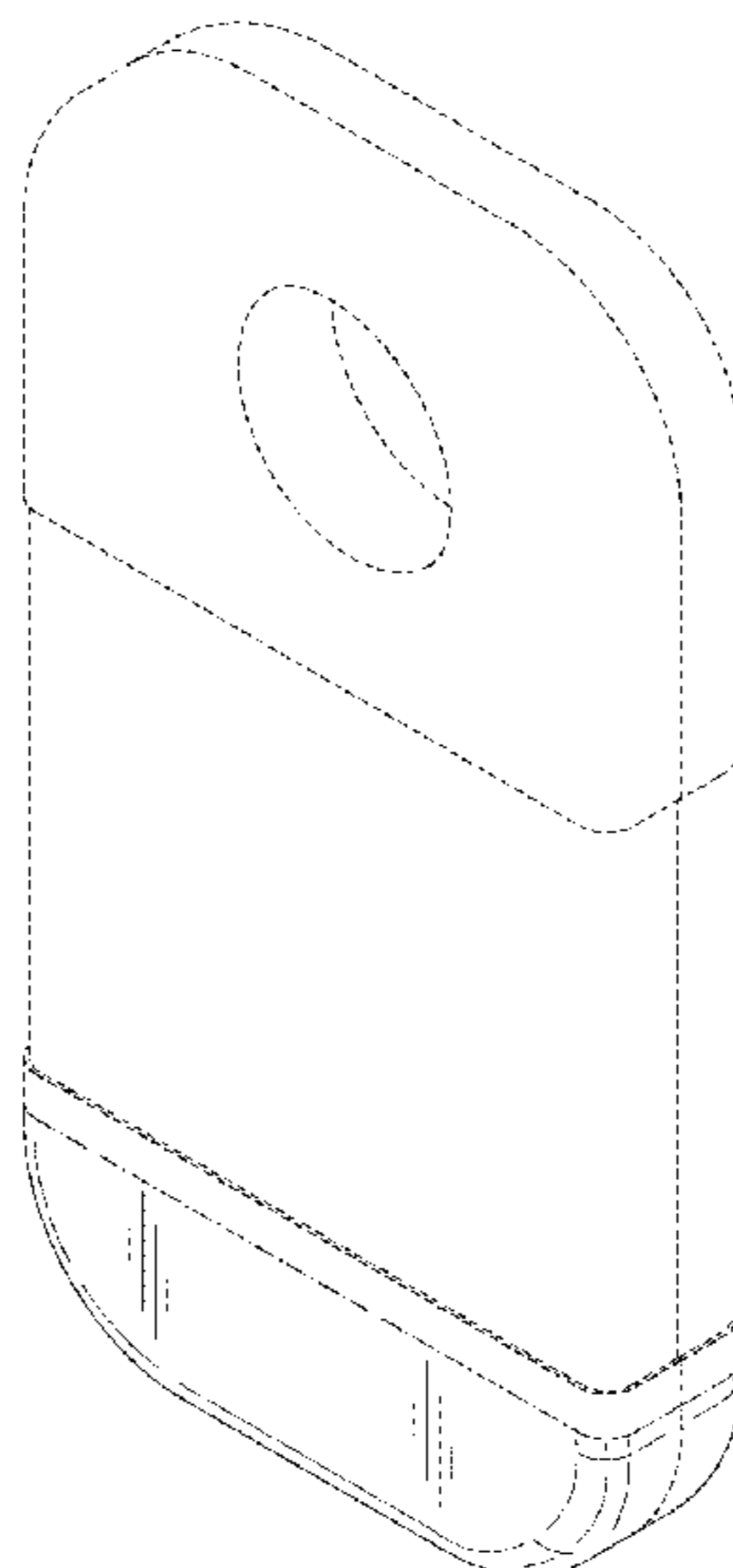
(58) **Field of Classification Search**
USPC D21/324, 328, 329, 330, 331, 333, 341,
D21/342, 349, 386; D14/218, 223, 250,
D14/299, 322, 341, 345, 346, 353, 354,
D14/374, 375, 376, 421, 432, 435, 435.1,
D14/436, 437, 440, 443, 454, 463, 479,
D14/480.1, 480.5; D13/108, 147;
D10/65
CPC G06F 3/00; A45C 13/00; A45C 13/001;
A45C 13/002; A63F 13/10; A63F 13/98;
A63F 13/24; A63F 9/0291

FIG. 1 is a front, top, right perspective view of a first embodiment of a game cartridge showing my new design; FIG. 2 is a rear, bottom, right perspective view thereof; FIG. 3 is a front elevational view thereof; FIG. 4 is a rear elevational view thereof; FIG. 5 is a left side elevational view thereof; FIG. 6 is a right side elevational view thereof; and FIG. 7 is a bottom plan view thereof.
FIG. 8 is a front, top, right perspective view of a second embodiment of a game cartridge showing my new design; FIG. 9 is a rear, bottom, right perspective view thereof; FIG. 10 is a front elevational view thereof; FIG. 11 is a rear elevational view thereof; FIG. 12 is a left side elevational view thereof; FIG. 13 is a right side elevational view thereof; and, FIG. 14 is a bottom plan view thereof.

In the drawings, the broken lines depict portions of the game cartridge and from no part of the claimed design. Dot-dash broken lines define the boundaries of, but not included in, the claimed design.

See application file for complete search history.

1 Claim, 7 Drawing Sheets



(56)

References Cited

U.S. PATENT DOCUMENTS

D406,831 S 3/1999 Takahashi et al.
 D502,166 S 2/2005 Nakamura
 D512,417 S 12/2005 Hirakawa et al.
 D516,443 S 3/2006 Gotou et al.
 D556,835 S * 12/2007 Ashida D21/324
 D559,256 S * 1/2008 Gilbert D14/436
 D563,430 S 3/2008 Deguchi et al.
 D576,686 S * 9/2008 Ashida D21/324
 D580,442 S * 11/2008 Kim D14/436
 D602,095 S * 10/2009 Fujino D14/436
 D647,096 S * 10/2011 Tung D14/436
 D655,708 S * 3/2012 Frank D14/435.1
 D655,759 S * 3/2012 Still D21/333
 D671,488 S * 11/2012 Ashida D13/110
 D676,377 S 2/2013 Nokuo
 D677,219 S 3/2013 Nokuo
 D696,663 S * 12/2013 Andre D14/341

D782,974 S * 4/2017 Ju D13/108
 D791,697 S * 7/2017 Precheur D13/107
 D810,202 S * 2/2018 Foster D21/333
 D811,485 S * 2/2018 Zekelman D21/333
 D814,412 S * 4/2018 Georgiades D13/108
 D816,026 S * 4/2018 Georgiades D13/108
 D818,951 S * 5/2018 Ebrahimi Afrouzi D13/108
 D826,152 S * 8/2018 Christiansen D13/108
 D826,864 S * 8/2018 Hoffart D13/147
 D844,560 S * 4/2019 Miller D13/108
 D845,294 S * 4/2019 Akana D14/341
 D846,502 S * 4/2019 Akana D13/147
 D860,934 S * 9/2019 Ebrahimi Afrouzi D13/108
 D861,509 S * 10/2019 Lee D10/65
 D861,601 S * 10/2019 Lin D13/108
 D862,385 S * 10/2019 Turksu D13/108
 2013/0150134 A1 * 6/2013 Pliner H01R 24/68
 455/573
 2014/0069709 A1 * 3/2014 Schmidt H01R 13/6581
 174/520

* cited by examiner

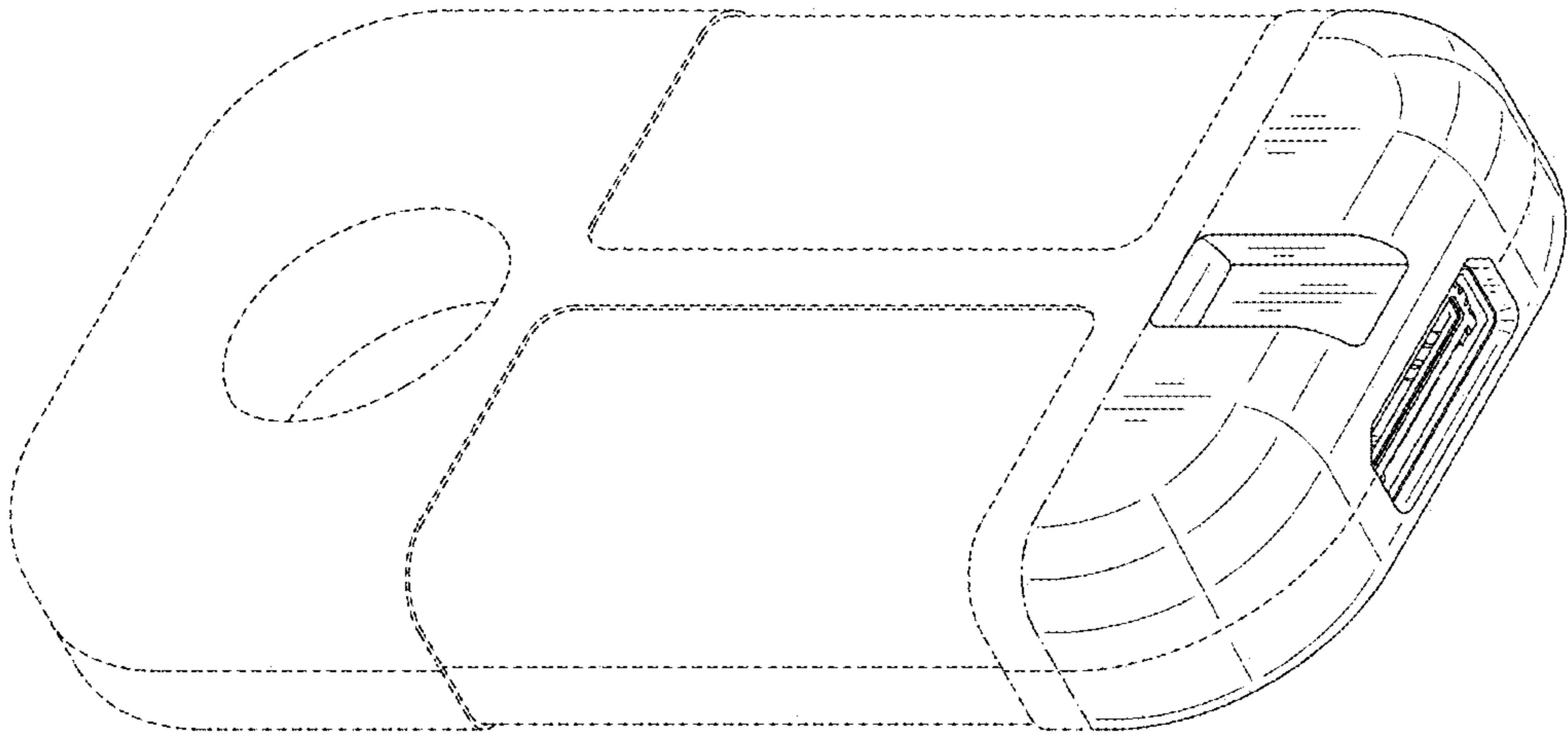


FIG. 1

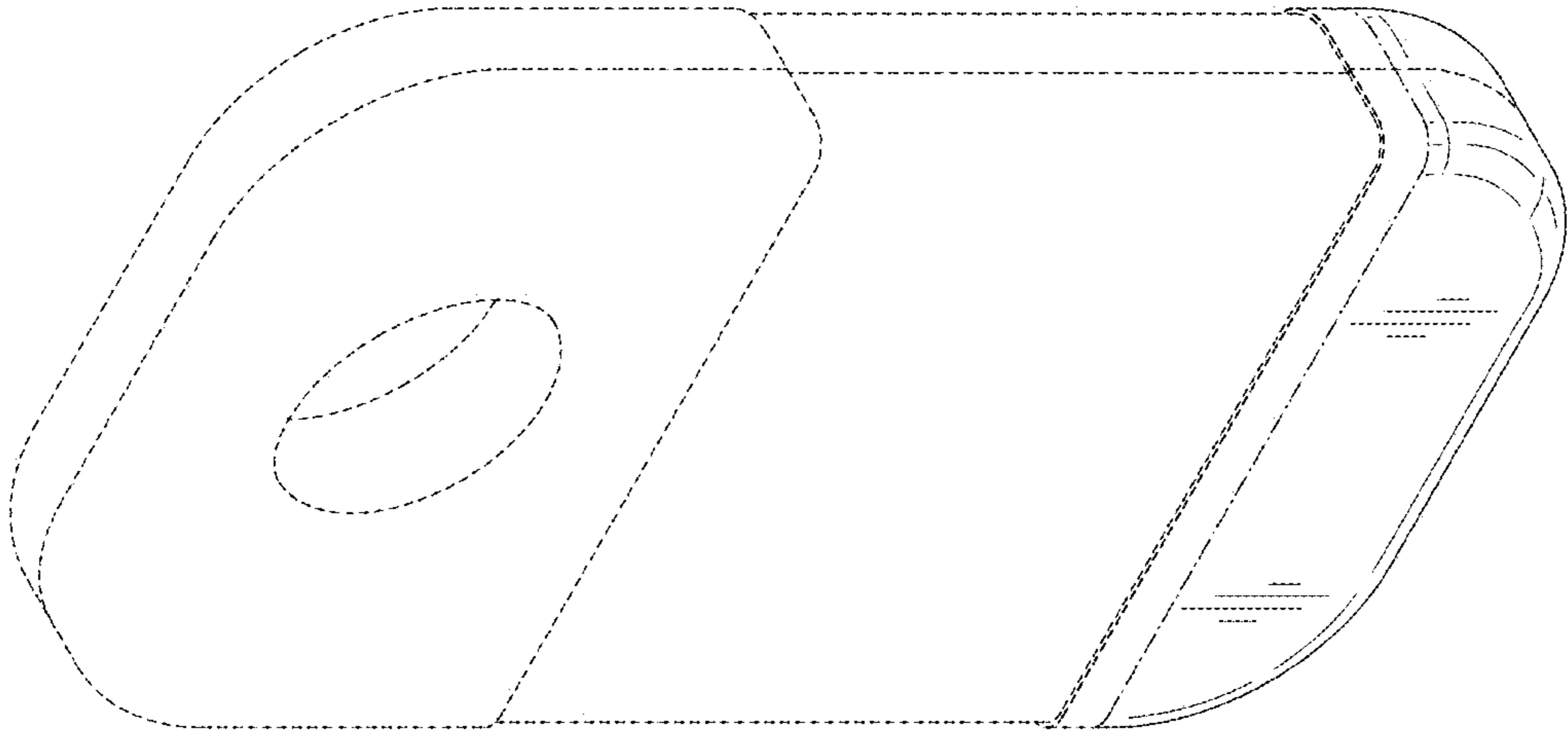


FIG. 2

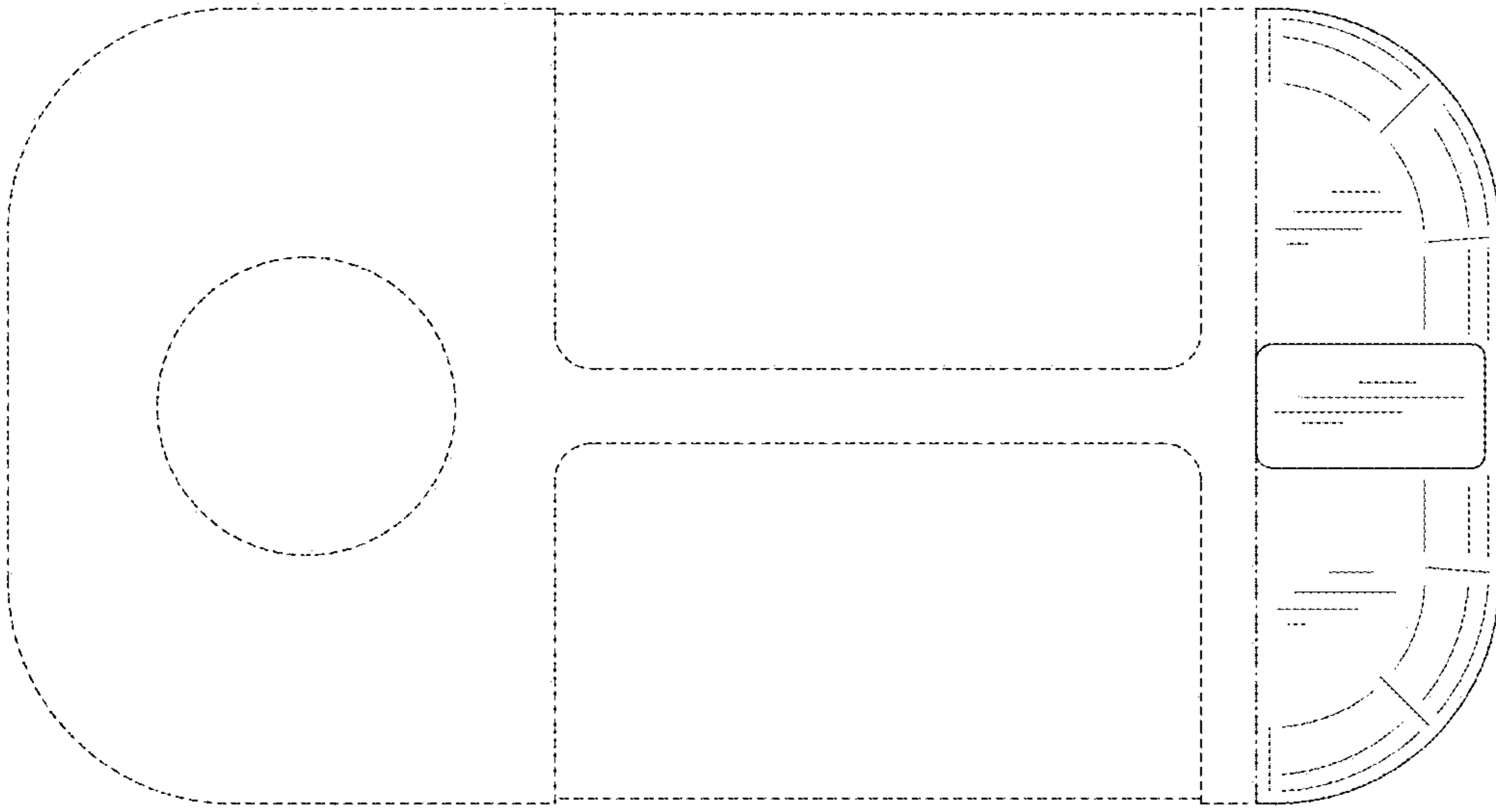


FIG. 4

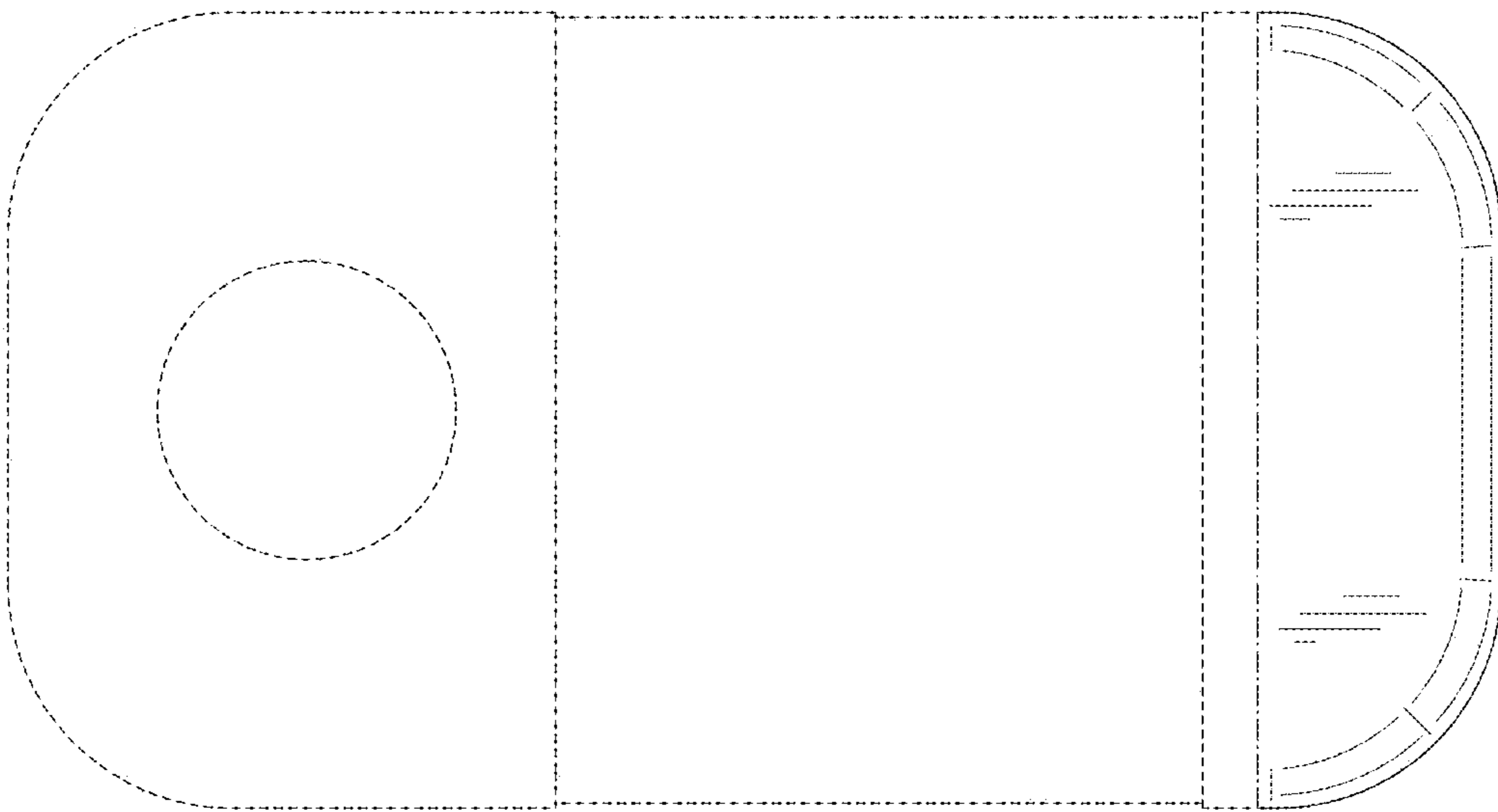


FIG. 3

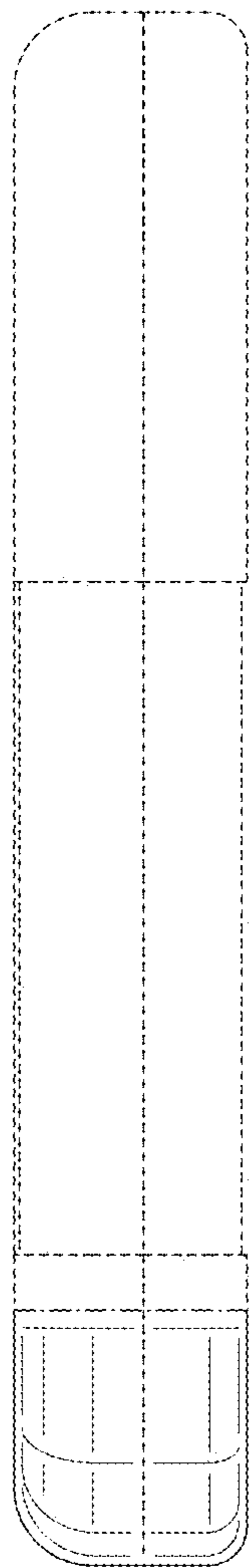


FIG. 5

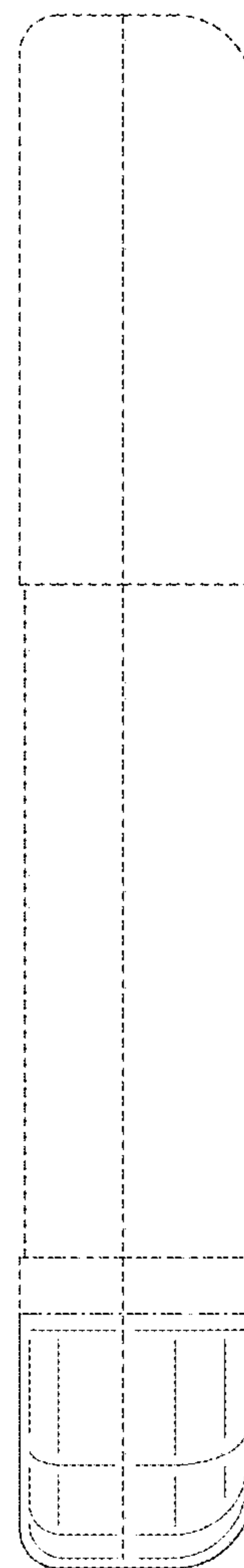


FIG. 6

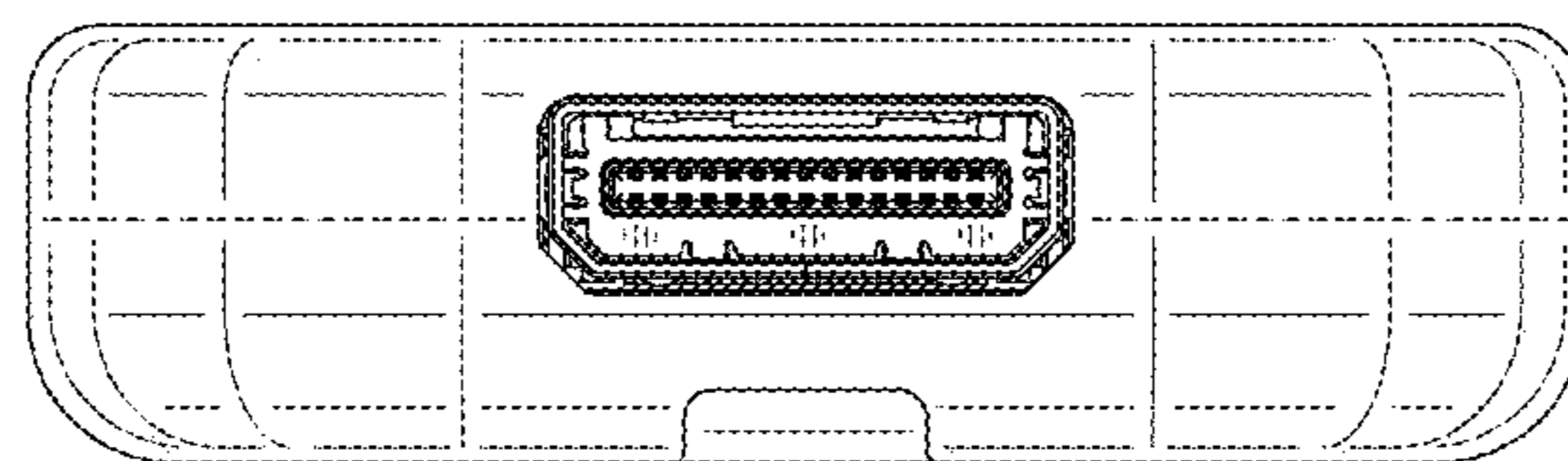


FIG. 7

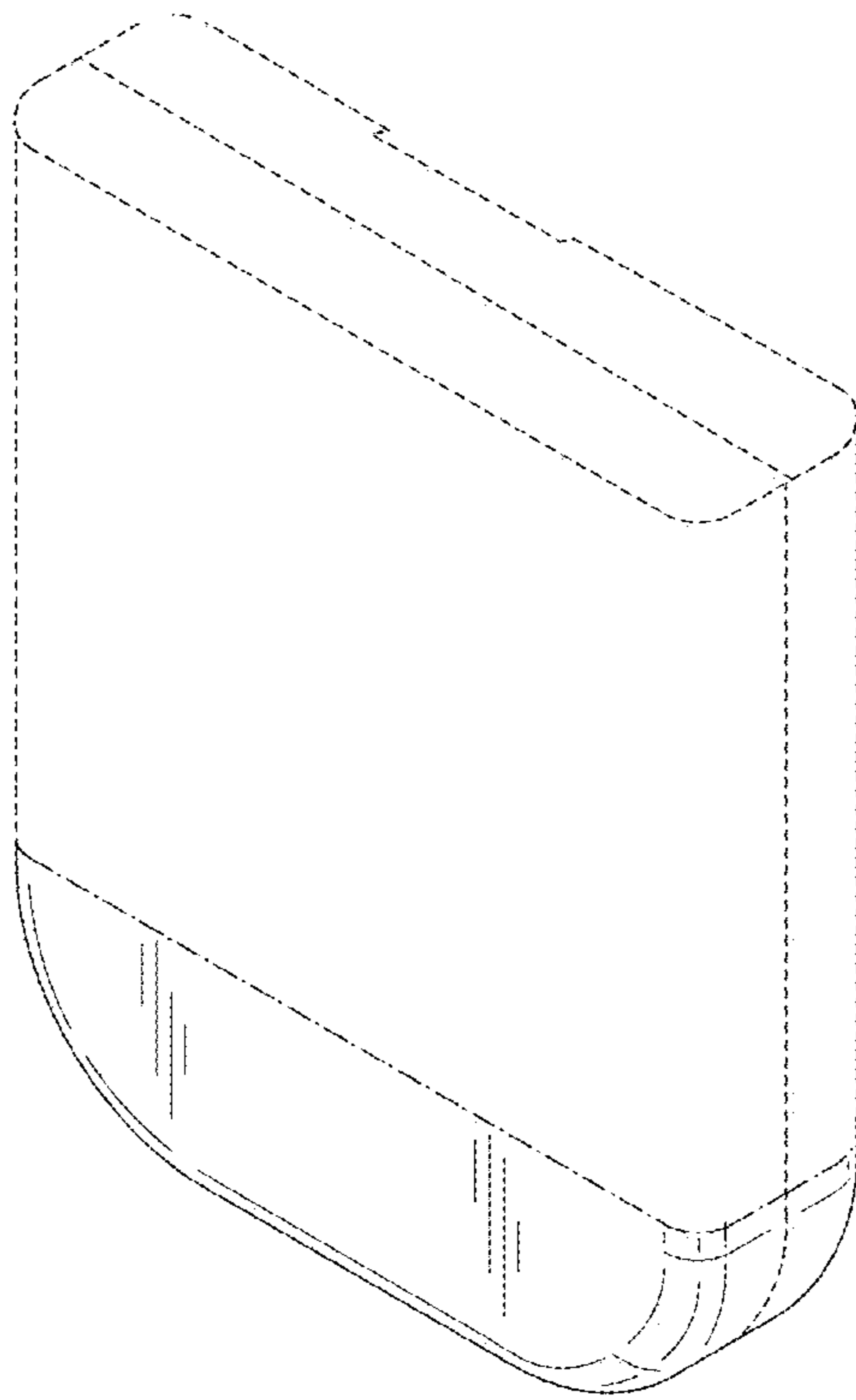


FIG. 8

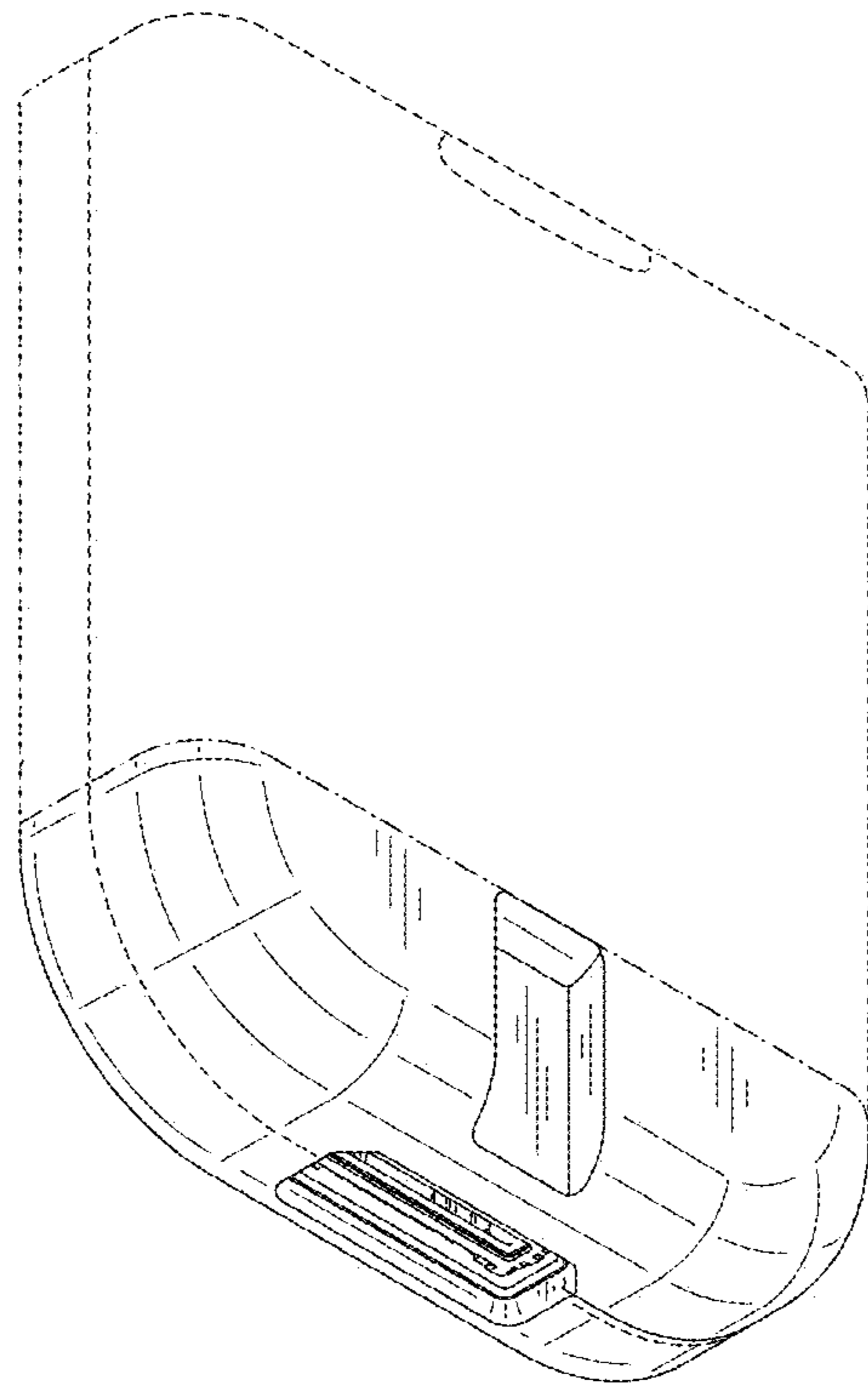


FIG. 9

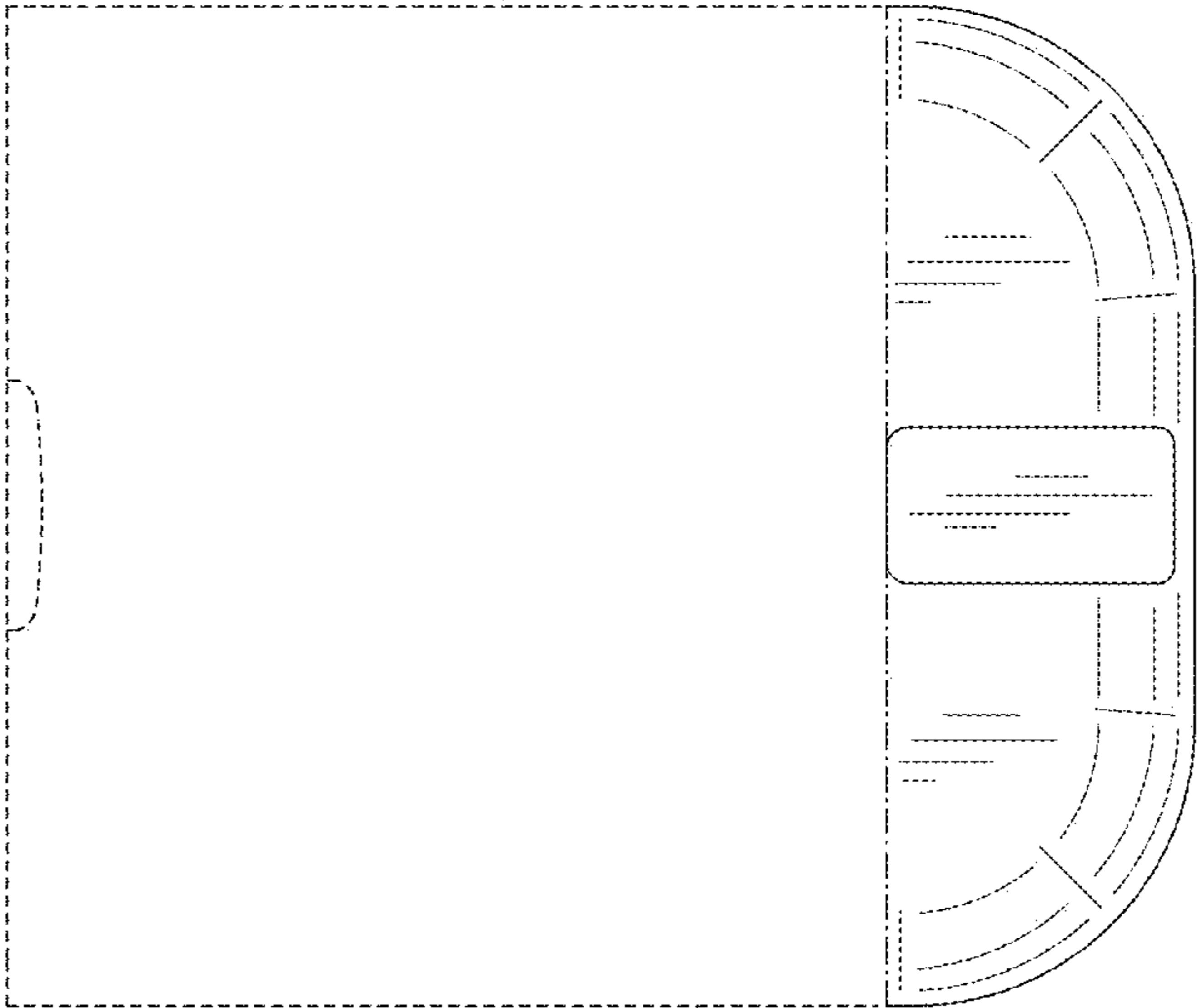


FIG. 11

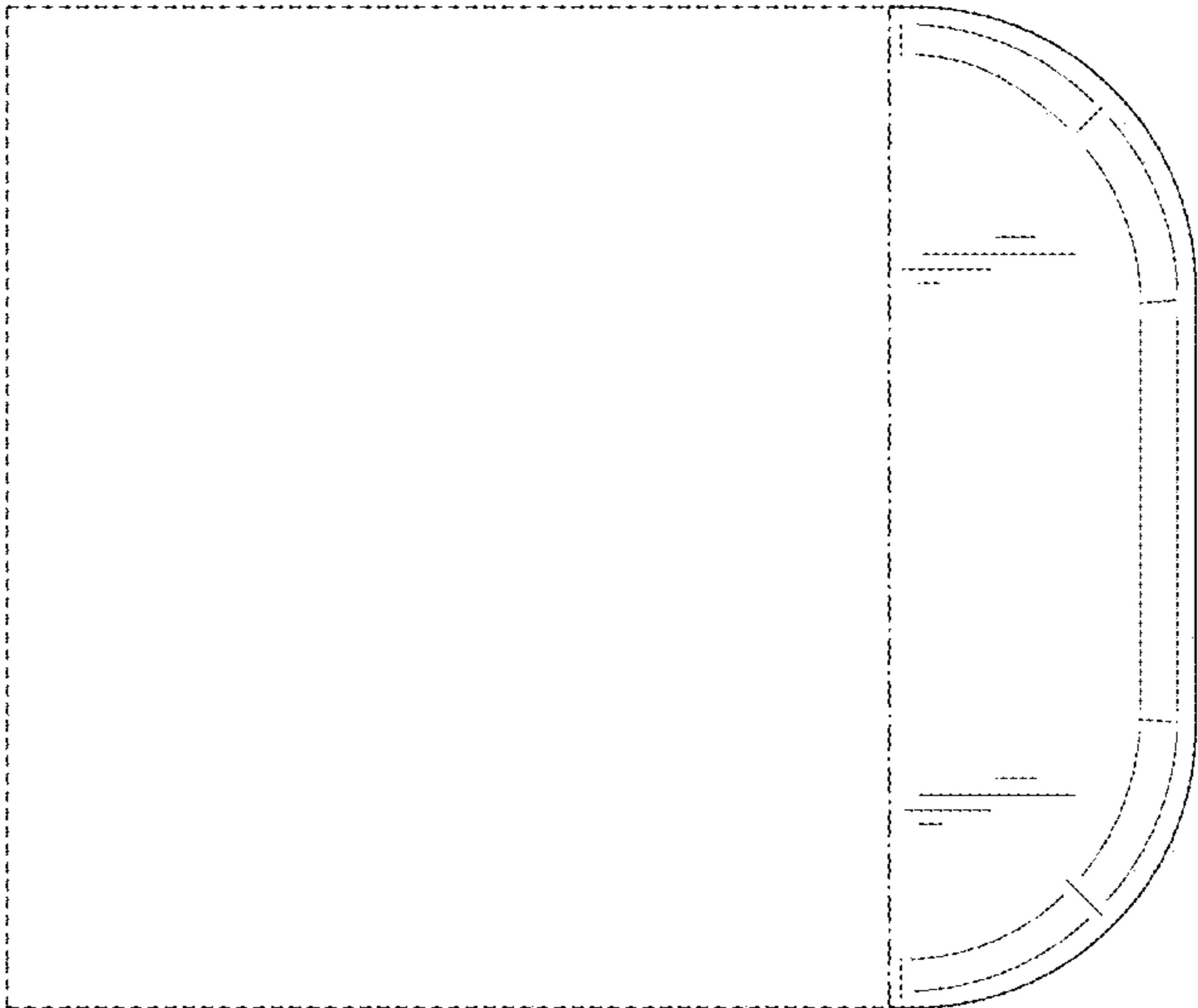


FIG. 10

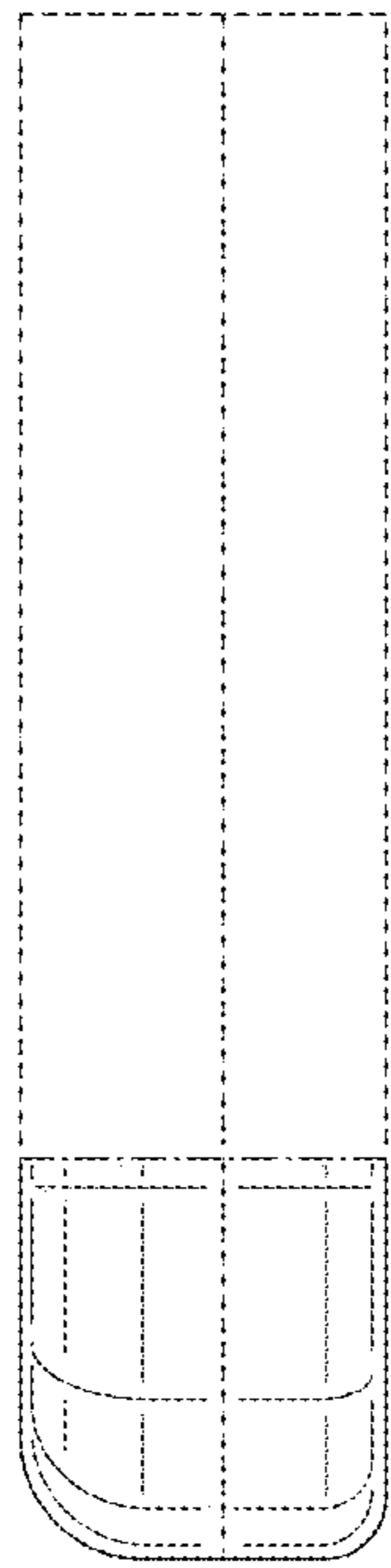


FIG. 12

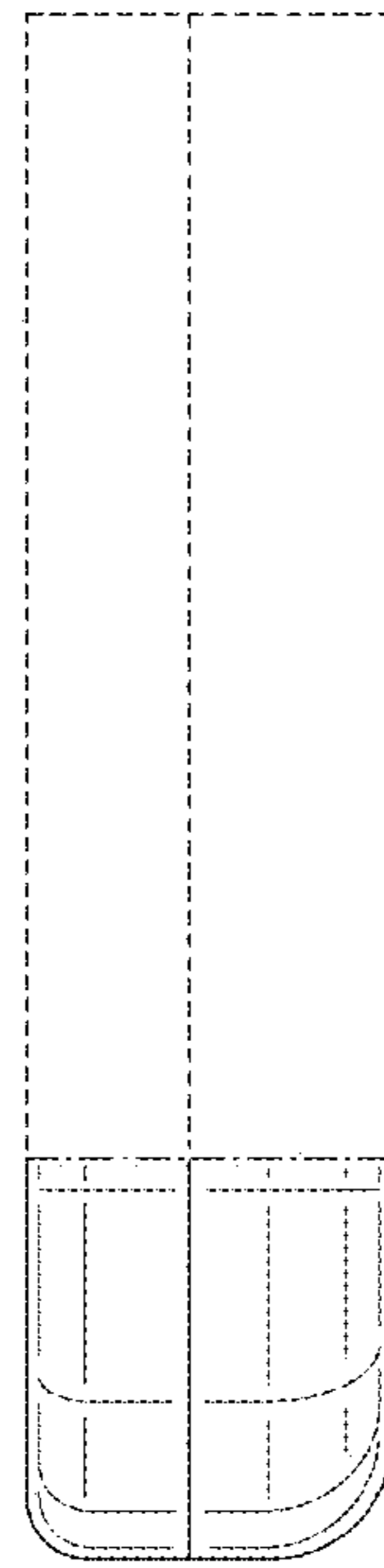


FIG. 13

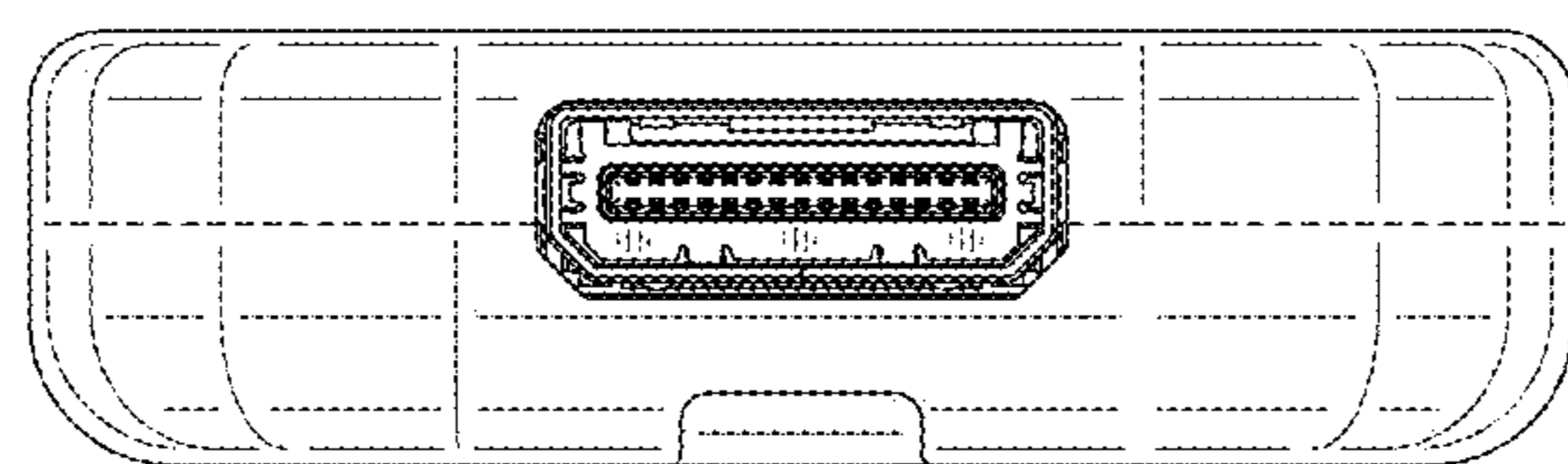


FIG. 14