



US00D886199S

(12) **United States Design Patent** (10) **Patent No.:** **US D886,199 S**
Surmacz (45) **Date of Patent:** **** Jun. 2, 2020**

(54) **GAME CONSOLE**
(71) Applicant: **Casino Game Maker, Inc.**, Cedar City, UT (US)
(72) Inventor: **Andrzej Surmacz**, Las Vegas, NV (US)
(73) Assignee: **Casino Game Maker, Inc.**, Las Vegas, NV (US)
(**) Term: **15 Years**
(21) Appl. No.: **29/666,219**
(22) Filed: **Oct. 10, 2018**
(51) **LOC (12) Cl.** **21-01**
(52) **U.S. Cl.**
USPC **D21/329**
(58) **Field of Classification Search**
USPC D21/300, 323-337, 347, 369-374, 455, D21/466, 503; D14/125, 126, 133, 203.7, D14/203.8, 217, 218, 300, 301, 302, 305, D14/307, 334, 369-370, 356, 388, 400, D14/401, 410, 511; D6/654, 654.12, D6/354.23, 657, 660, 661.1-663, 668
CPC ... G07F 17/3295; G07F 17/32; G07F 17/3211
See application file for complete search history.

D721,766 S * 1/2015 Ferrazoli D21/370
D751,061 S * 3/2016 Berini D14/307
D762,778 S * 8/2016 Knesek D14/172
D774,029 S * 12/2016 Kim D14/307
D783,596 S * 4/2017 Payne D14/307
D799,472 S * 10/2017 Brown D14/307
D805,065 S * 12/2017 Taylor D14/307
D811,381 S * 2/2018 Morohoshi D14/307
D812,145 S * 3/2018 Huang D21/369
D829,706 S * 10/2018 Berini D14/307
D834,652 S * 11/2018 Lee D21/369
D842,929 S * 3/2019 Hung D21/325
D847,905 S * 5/2019 Lewis D21/369
D848,534 S * 5/2019 Calhoun D21/369
D854,621 S * 7/2019 Calhoun D21/369
D858,641 S * 9/2019 Legras D21/370
D858,642 S * 9/2019 Legras D21/370
2006/0281559 A1 * 12/2006 Luciano G07F 17/32 463/46

* cited by examiner

Primary Examiner — Sandra S Snapp
Assistant Examiner — Mehri F Bajoul
(74) *Attorney, Agent, or Firm* — Kwan & Olynick LLP

(57) **CLAIM**

The ornamental design for a game console, as shown and described.

DESCRIPTION

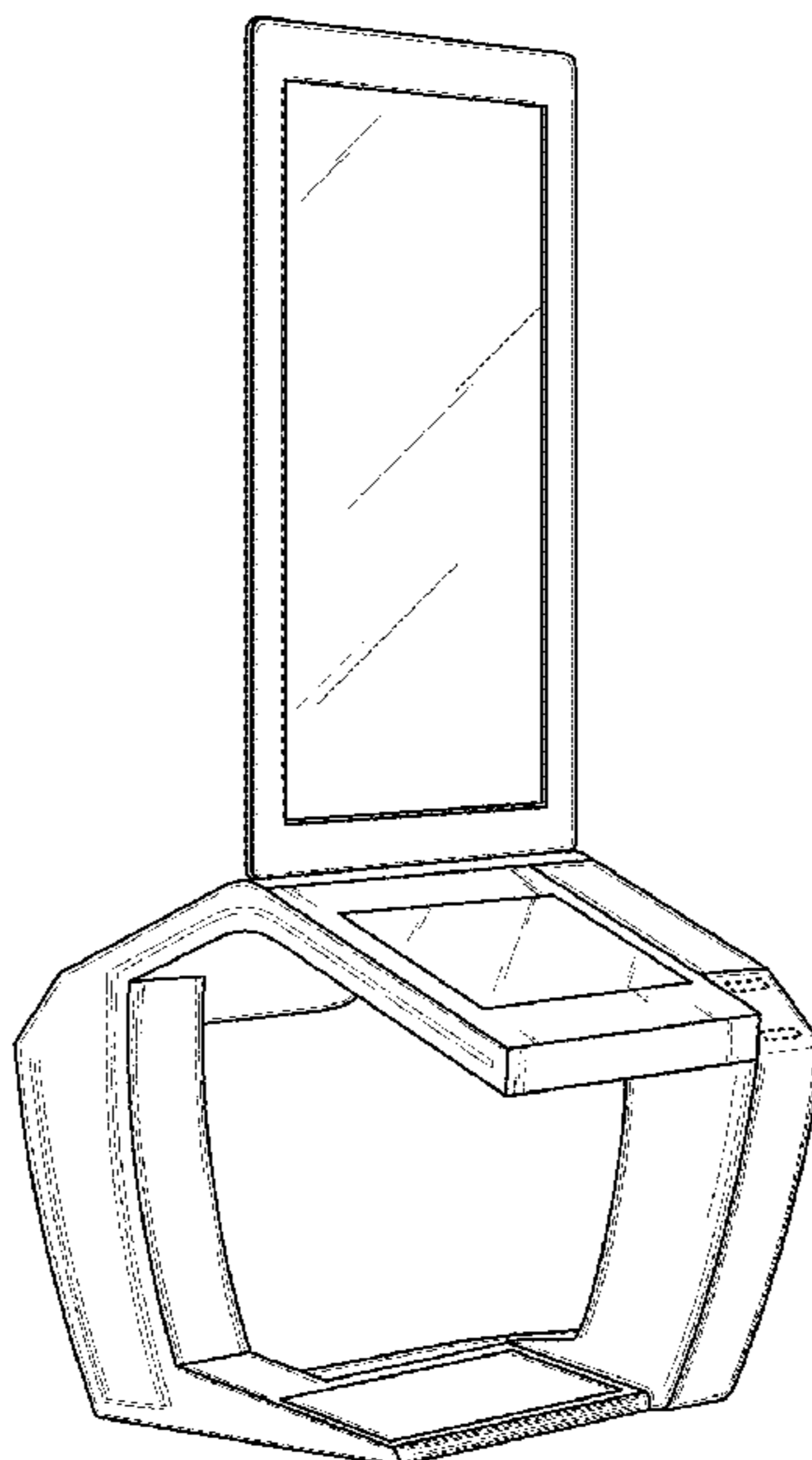
FIG. 1 is a front left side perspective view of a game console showing my new design;
FIG. 2 is the front elevation view thereof;
FIG. 3 is the back elevation view thereof;
FIG. 4 is the right elevation view thereof;
FIG. 5 is the left elevation view thereof; and,
FIG. 6 is the top plan view thereof.
The broken lines in the drawings, depict portions of the game console that form no part of the claimed design.

1 Claim, 4 Drawing Sheets

(56) **References Cited**

U.S. PATENT DOCUMENTS

D424,122 S * 5/2000 Dickenson D21/325
D460,915 S * 7/2002 Lynch D21/329
D596,678 S * 7/2009 Myers D21/370
D622,323 S * 8/2010 De Viveiros Ortiz D21/325
D637,595 S * 5/2011 Mizusugi D14/303
D678,958 S * 3/2013 Cesaroni D21/385
D681,130 S * 4/2013 Lesley D21/385
D695,706 S * 12/2013 Garneau D14/172
D705,872 S * 5/2014 Ortiz D21/370
D706,741 S * 6/2014 Myers D14/172



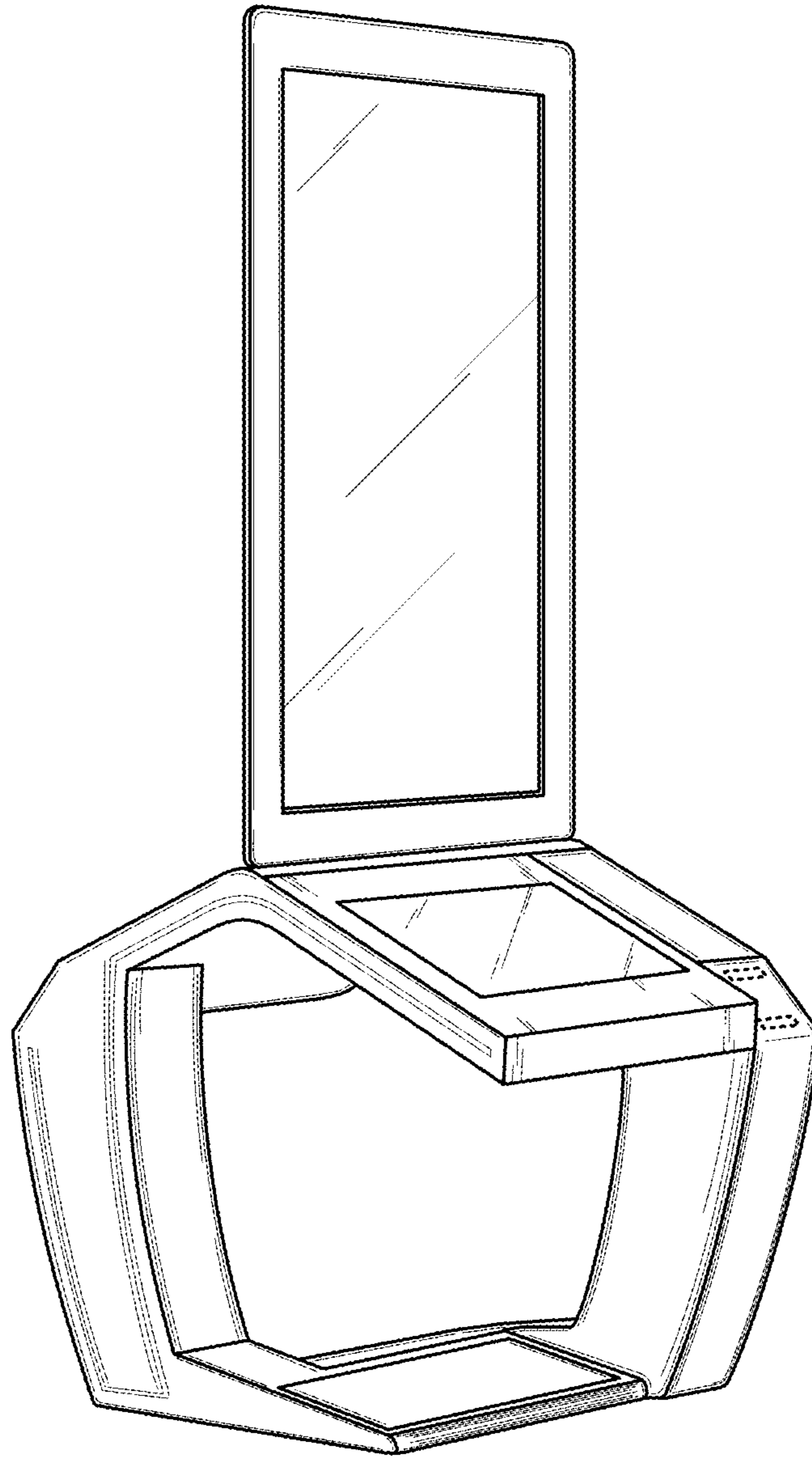


FIG. 1

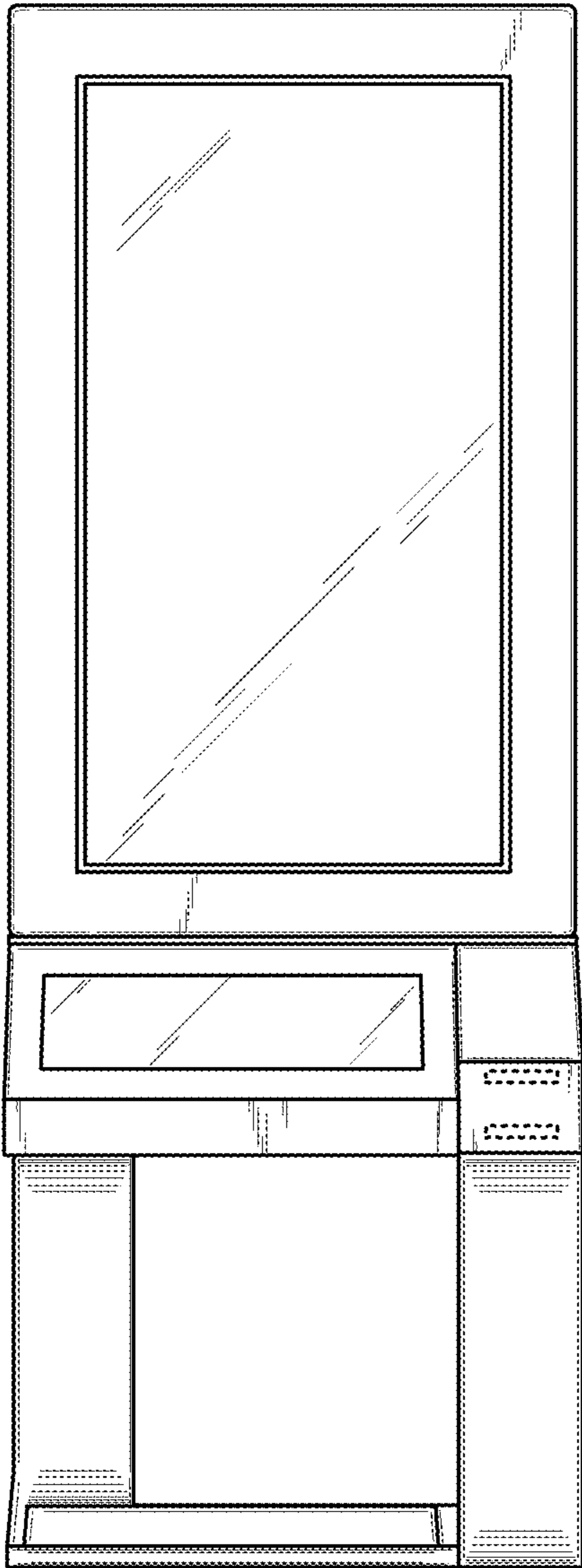


FIG. 2

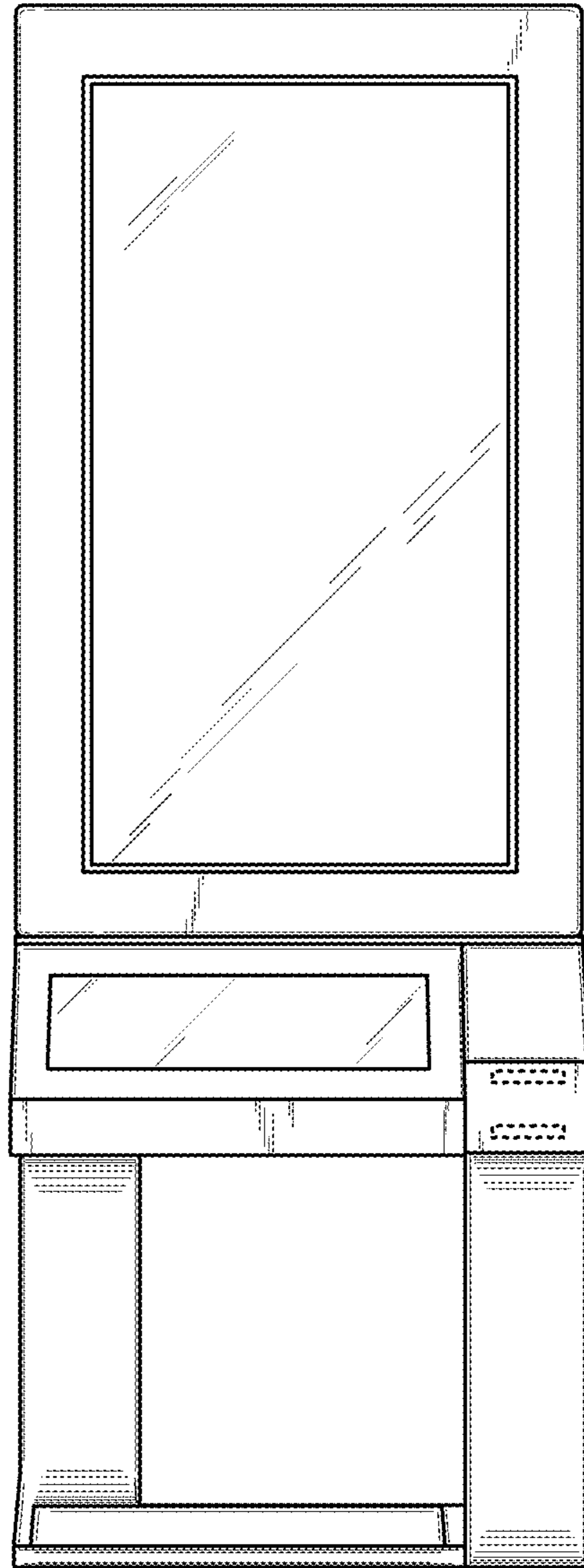


FIG. 3

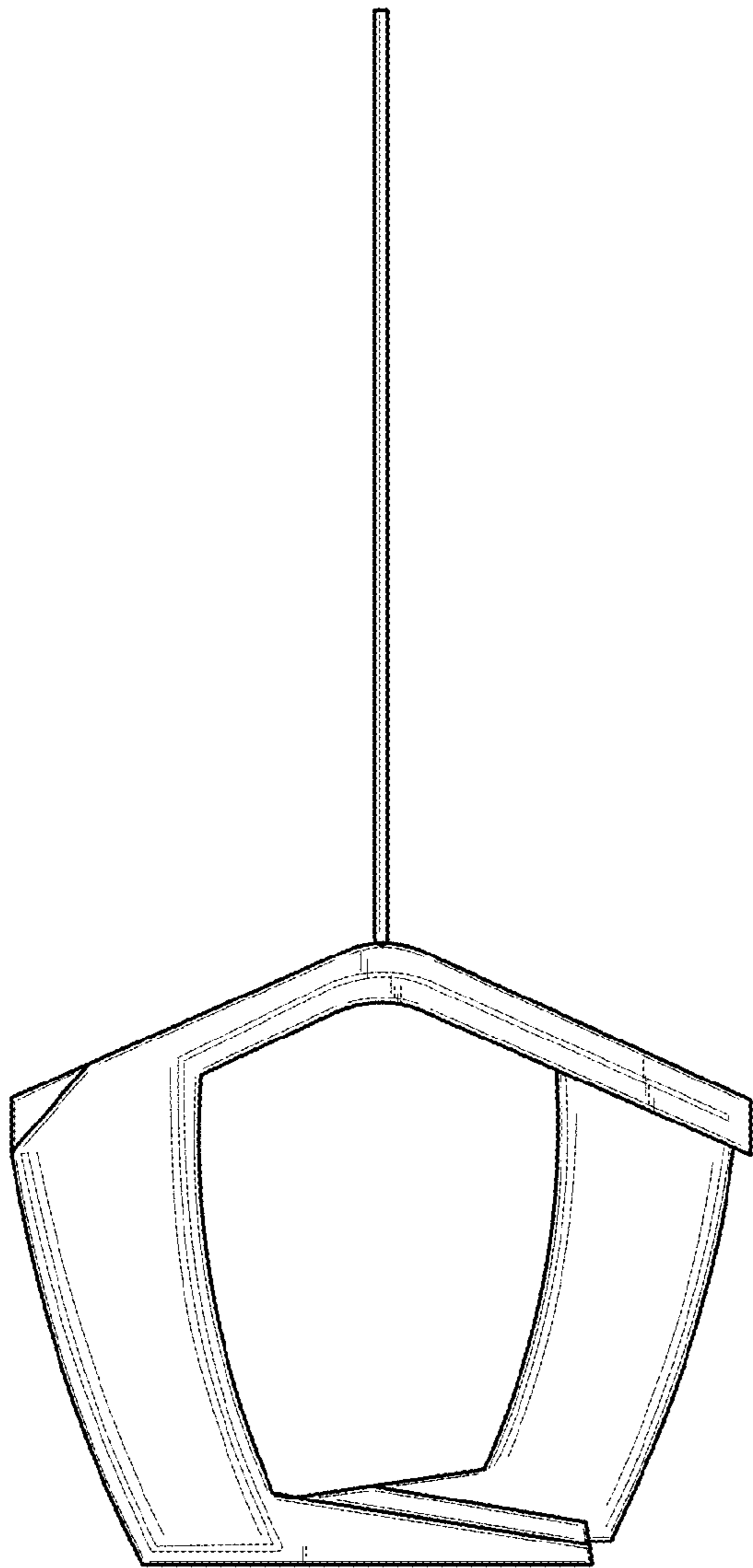


FIG. 4

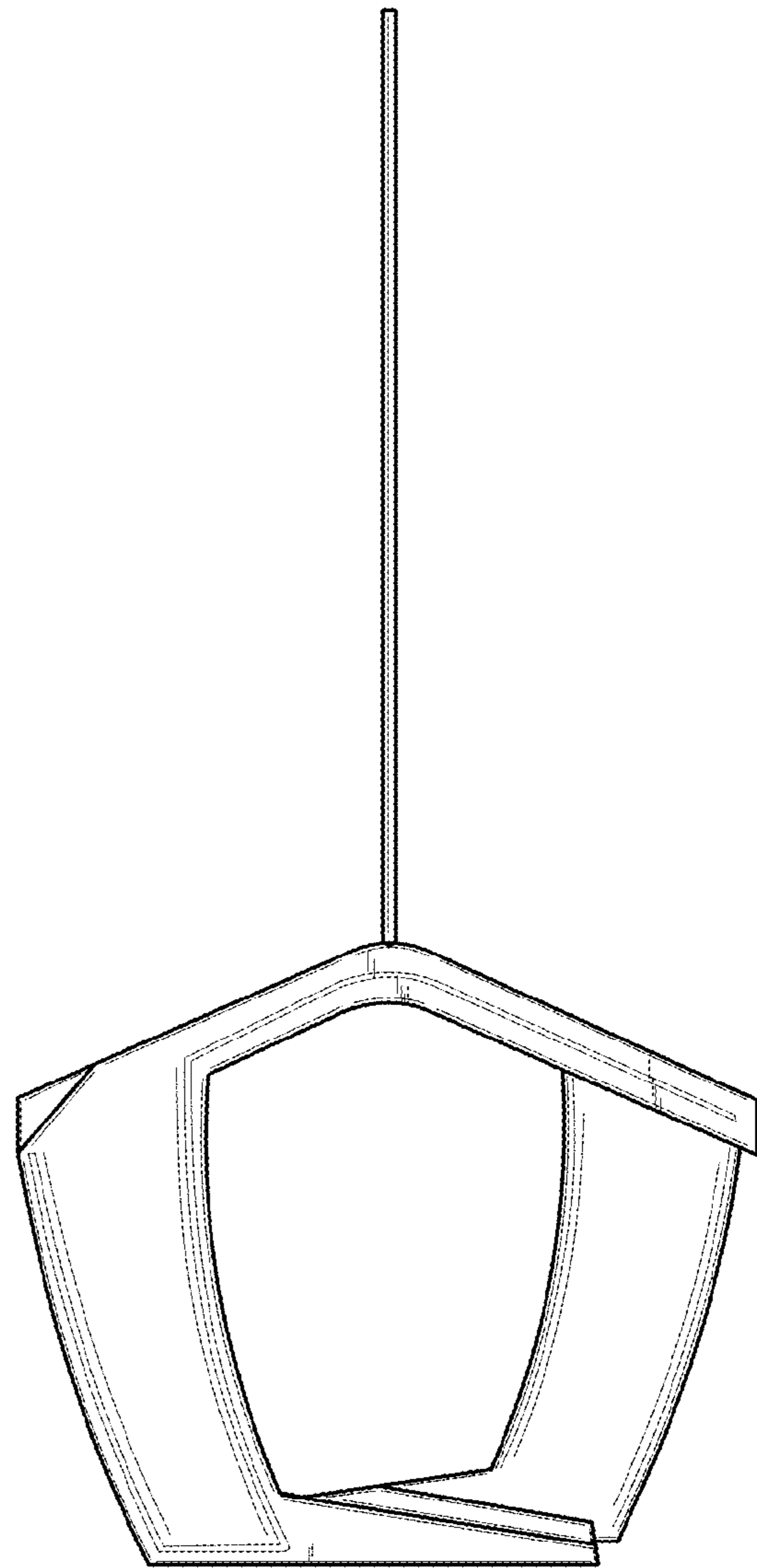


FIG. 5

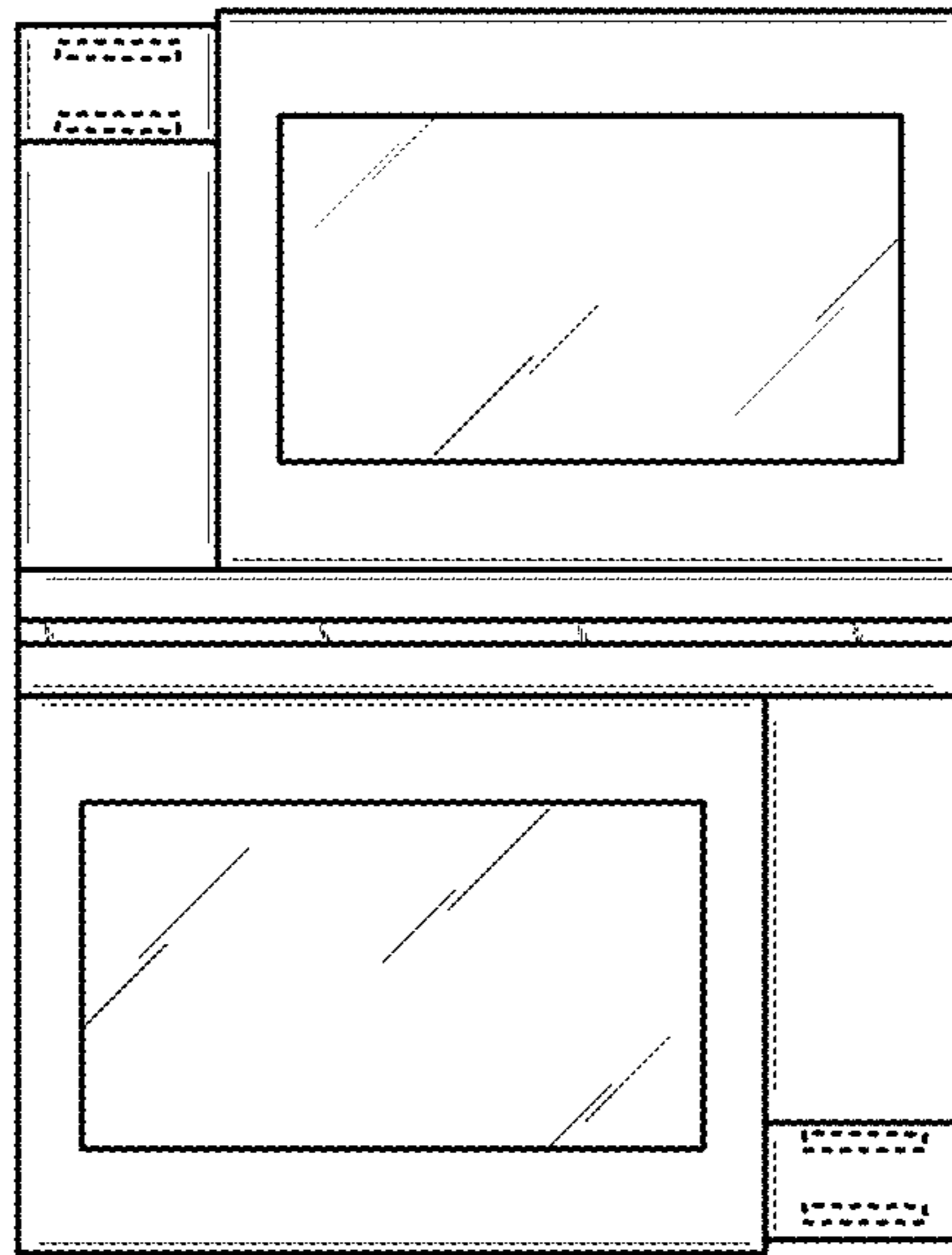


FIG. 6