



US00D886196S

(12) **United States Design Patent** (10) **Patent No.:** **US D886,196 S**
Lee et al. (45) **Date of Patent:** **** Jun. 2, 2020**

(54) **DIGITAL SIGNAGE**

(71) Applicant: **LG ELECTRONICS INC.**, Seoul (KR)

(72) Inventors: **Yoonkyeong Lee**, Seoul (KR); **Yongho Lee**, Seoul (KR); **Jaewon Lim**, Seoul (KR)

(73) Assignee: **LG Electronics Inc.**, Seoul (KR)

(**) Term: **15 Years**

(21) Appl. No.: **35/505,961**

(22) Filed: **Apr. 27, 2018**

(80) **Hague Agreement Data**

Int. Filing Date: **Apr. 27, 2018**

Int. Reg. No.: **DM/101015**

Int. Reg. Date: **Apr. 27, 2018**

Int. Reg. Pub. Date: **Nov. 2, 2018**

(30) **Foreign Application Priority Data**

Oct. 27, 2017 (KR) 30-2017-0050045

(51) **LOC (12) Cl.** **20-03**

(52) **U.S. Cl.**
USPC **D20/39**

(58) **Field of Classification Search**

USPC D6/300, 310, 332; D10/113.4; D19/113; D20/9, 10, 15, 19, 27, 39, 41-43, 99; D14/126, 300, 305, 307, 314-316, 335, D14/336, 339, 340, 371, 432
CPC G09F 1/00; G09F 1/02; G09F 7/00; G09F 7/14; G09F 7/16; G09F 9/00; G09F 13/00; G09F 13/04; G09F 13/18; G09F 13/22; G09F 15/00; G09F 15/02; A47G 1/06; A47G 1/14

See application file for complete search history.

(56) **References Cited**

U.S. PATENT DOCUMENTS

D662,329 S * 6/2012 Arko D6/332
D772,831 S * 11/2016 Han D14/126

D772,832 S * 11/2016 Han D14/126
D772,833 S * 11/2016 Han D14/126
D807,313 S * 1/2018 Kim D14/126
D807,846 S * 1/2018 Kim D14/126
D808,668 S * 1/2018 Tsuchiyama D6/332
D813,832 S * 3/2018 Kim D14/126
D821,342 S * 6/2018 Kim D14/126

(Continued)

OTHER PUBLICATIONS

Street Communication. LG Transparent OLED. Feb. 13, 2018. <https://streetcommunication.com/lg-transparent-oled/> (Year: 2018).*

(Continued)

Primary Examiner — George D. Kirschbaum

Assistant Examiner — Darcey E Gottschalk

(74) *Attorney, Agent, or Firm* — Birch, Stewart, Kolasch & Birch, LLP

(57) **CLAIM**

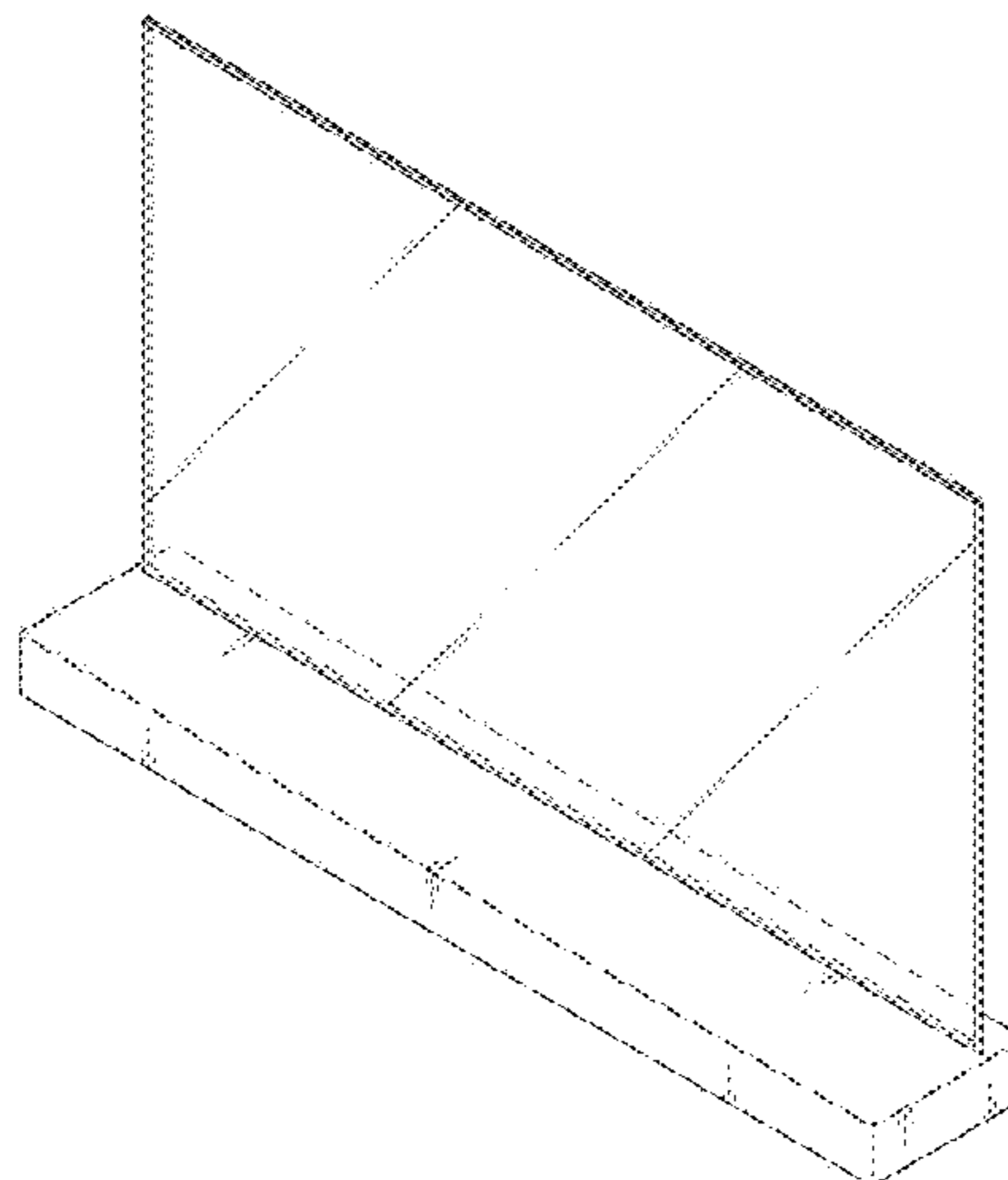
The ornamental design for a digital signage, as shown and described.

DESCRIPTION

- 1. Digital signage
- 1.1 : Perspective
- 1.2 : Front
- 1.3 : Back
- 1.4 : Left
- 1.5 : Top
- 1.6 : Bottom

Reproduction 1.1 is a front perspective view of the digital signage; reproduction 1.2 is a front view thereof; reproduction 1.3 is a back view thereof; reproduction 1.4 is a left view thereof where the right view is a mirror image; reproduction 1.5 is a top view thereof; and reproduction 1.6 is a bottom view thereof.

1 Claim, 6 Drawing Sheets



(56)

References Cited

U.S. PATENT DOCUMENTS

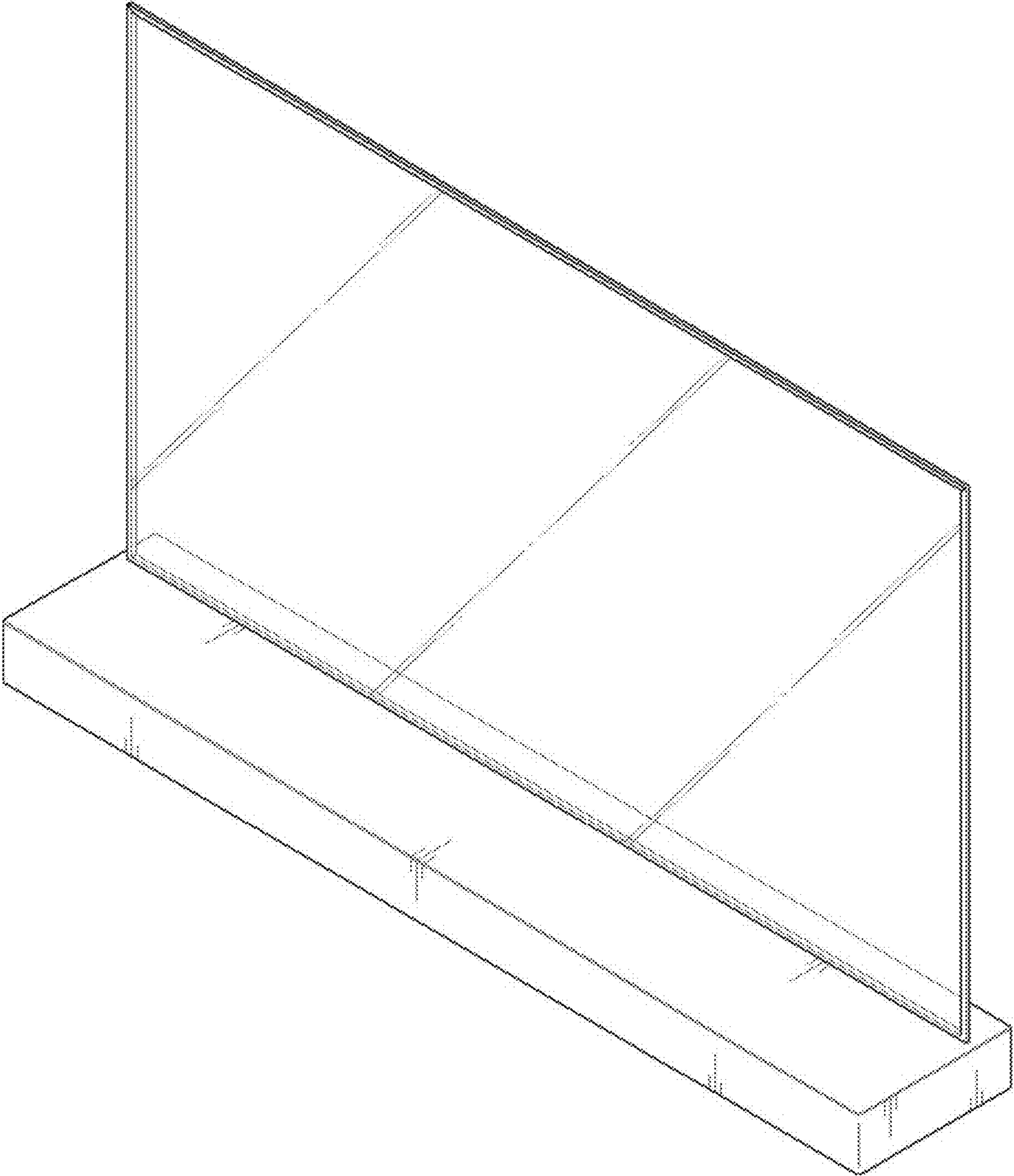
D845,259 S * 4/2019 Won D14/126
D847,111 S * 4/2019 Won D14/126
D852,155 S * 6/2019 Won D14/126
D852,272 S * 6/2019 Lim D19/113
D852,274 S * 6/2019 Lim D20/39
2017/0079149 A1* 3/2017 Lee H01L 51/524

OTHER PUBLICATIONS

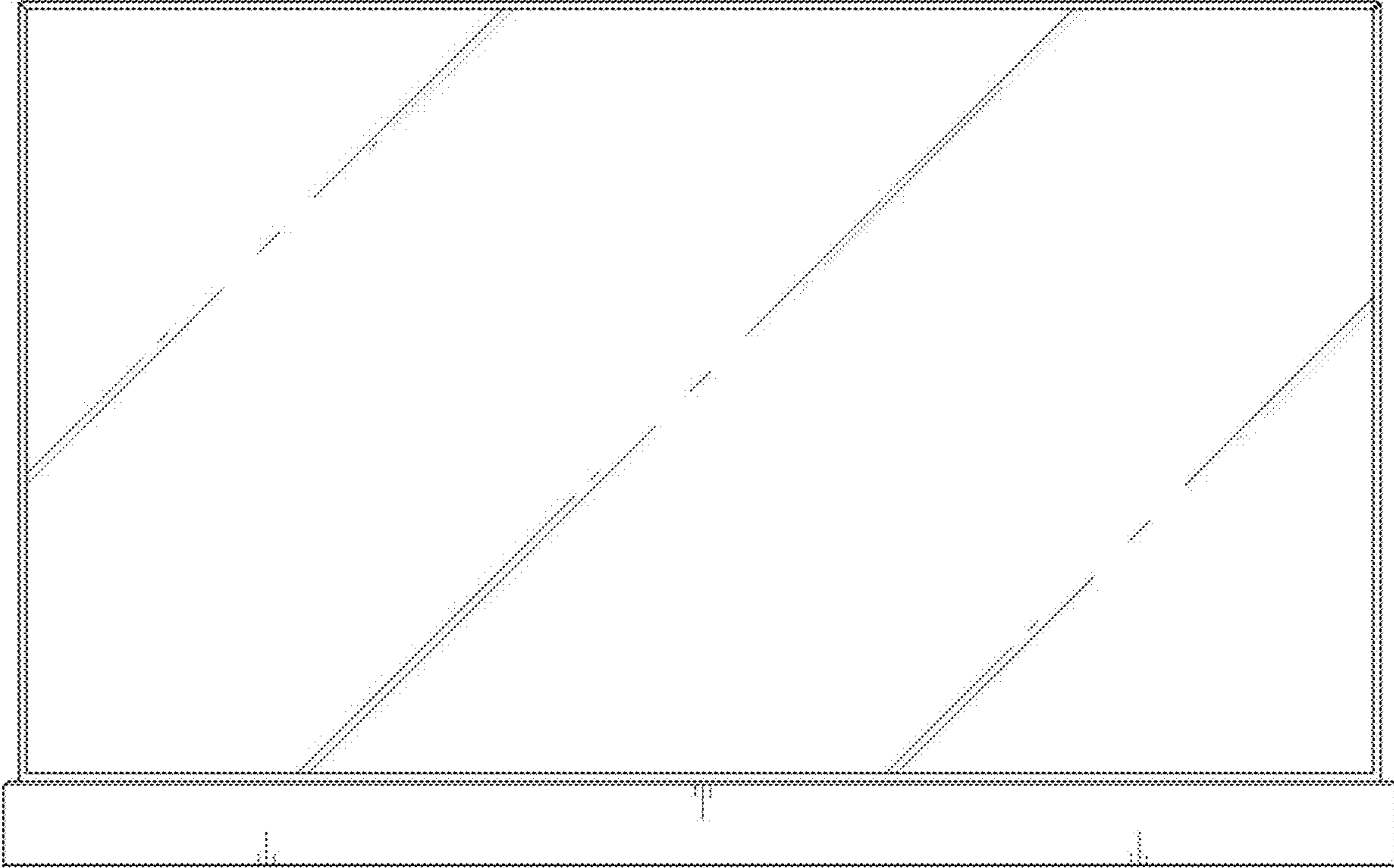
PC World. Samsung to show transparent OLED display at IFA by
Martyn Williams. Sep. 1, 2015. [https://www.pcworld.com/article/
2978855/samsung-to-show-transparent-oled-at-ifa.html](https://www.pcworld.com/article/2978855/samsung-to-show-transparent-oled-at-ifa.html) (Year: 2015).*

* cited by examiner

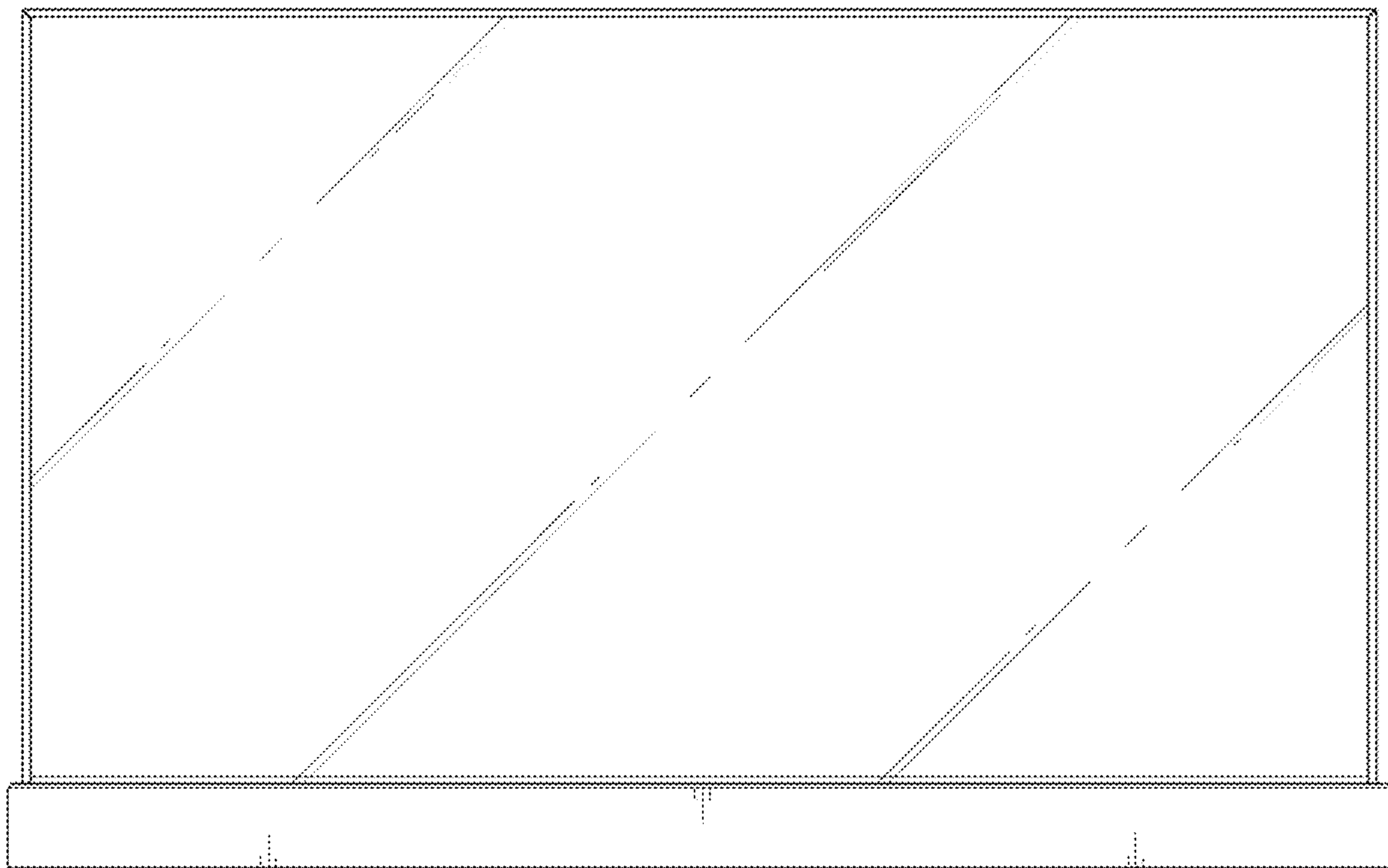
1.1



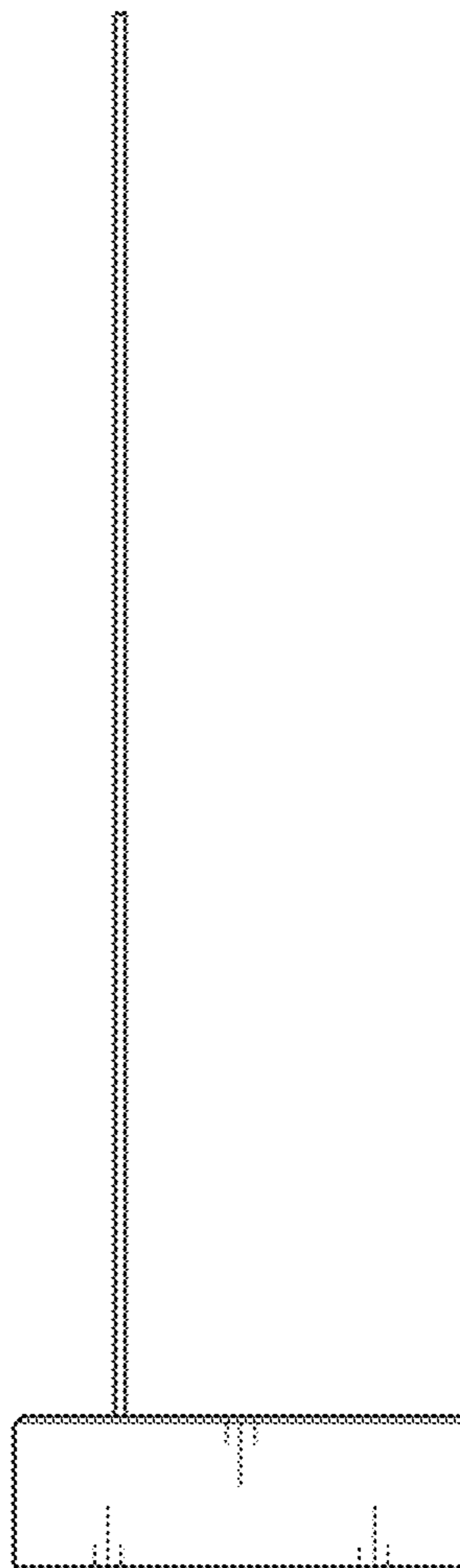
1.2



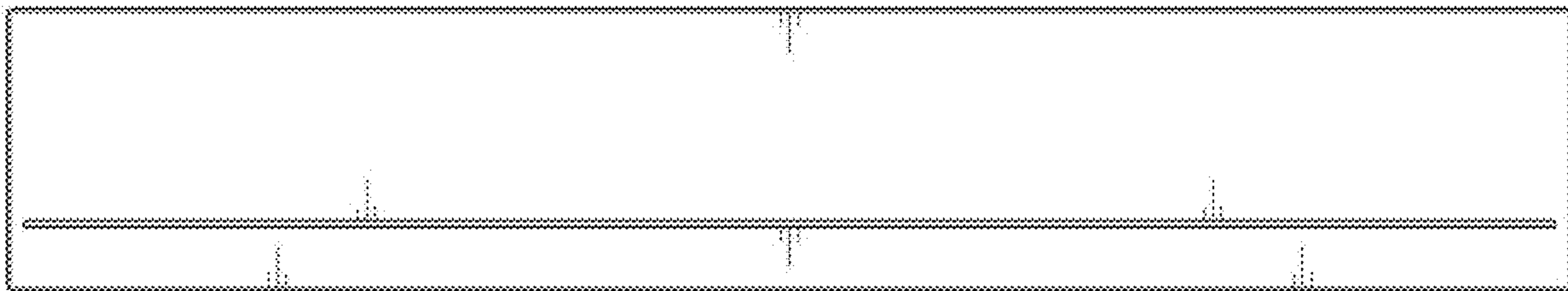
1.3



1.4



1.5



1.6

