



US00D886194S

(12) **United States Design Patent** (10) **Patent No.:** **US D886,194 S**
Csokmay (45) **Date of Patent:** **** Jun. 2, 2020**

- (54) **SERVICE DOG PEN CLIP**
- (71) Applicant: **The Berea Hardwoods Co., Inc.**,
Middleburg Heights, OH (US)
- (72) Inventor: **Joseph M. Csokmay**, Parma, OH (US)
- (73) Assignee: **The Berea Hardwoods Co., Inc.**,
Middleburg Heights, OH (US)
- (**) Term: **15 Years**
- (21) Appl. No.: **29/677,703**
- (22) Filed: **Jan. 23, 2019**
- (51) **LOC (12) Cl.** **19-06**
- (52) **U.S. Cl.**
USPC **D19/196; D30/152**
- (58) **Field of Classification Search**
USPC D19/115-204; D14/411; D2/627;
D11/231; D30/152
CPC . B43K 5/005; B43K 7/12; B43K 8/04; B43K
8/06; B43K 19/00; B43K 19/02; B43K
19/14; B43K 21/006; B43K 21/06
See application file for complete search history.

- 5,226,195 A * 7/1993 Pappas, Jr. A41F 9/002
2/321
- D377,107 S * 1/1997 Baldwin D2/627
- D378,150 S * 2/1997 DuBarry D30/152
- D378,601 S * 3/1997 Sakuno 401/6
- D381,787 S * 8/1997 Littleton D2/627
- D406,165 S * 2/1999 Nadel D19/137
- D430,210 S * 8/2000 Shimizu D19/174
- D587,312 S * 2/2009 Cetera D19/196
- D599,080 S * 9/2009 Pantoja D2/627
- D673,334 S * 12/2012 Guo D30/152
- D721,466 S * 1/2015 Boyles D2/627
- D725,112 S * 3/2015 Bo D14/411
- D726,993 S * 4/2015 Ermel D2/627
- D761,495 S * 7/2016 Rose-Grant D30/144
- D763,962 S * 8/2016 Zhang D19/173

(Continued)

Primary Examiner — Elizabeth A. Albert
(74) *Attorney, Agent, or Firm* — Sand, Sebolt & Wernow
Co., LPA

(57) **CLAIM**

The ornamental design for a service dog pen clip, as shown and described.

DESCRIPTION

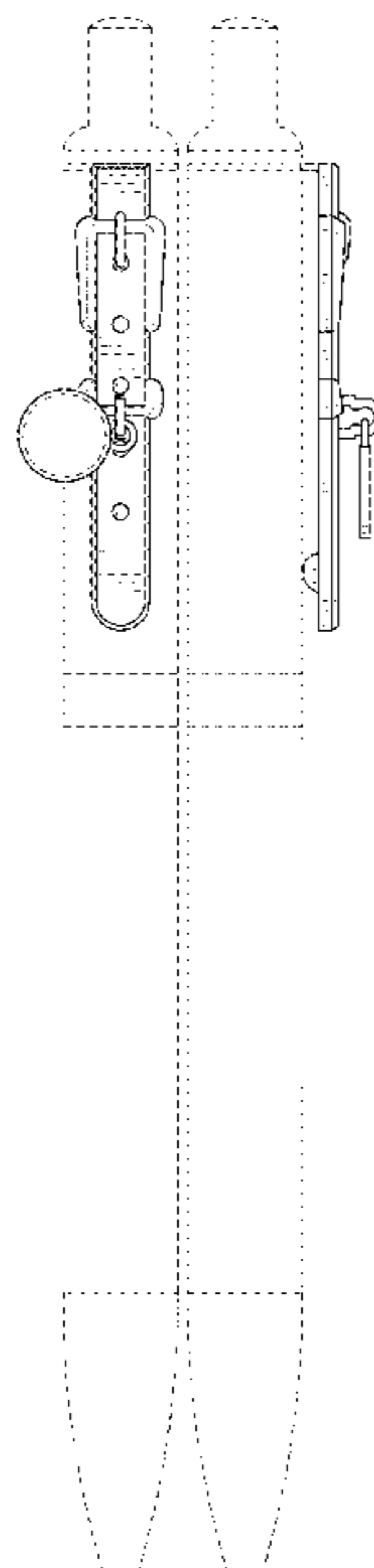
FIG. 1 is a front, top, right side isometric perspective view of a service dog pen clip in accordance with my design; FIG. 2 is a front elevation view thereof with a medal on the pen clip shown in a first position; FIG. 3 is a front elevation view thereof with the medal moved to a second position; FIG. 4 is a Rear Elevation view thereof; FIG. 5 is a Left Side Elevation view thereof; FIG. 6 is a Right Side Elevation view thereof; FIG. 7 is a Top Plan view thereof; and, FIG. 8 is a Bottom Plan view thereof. The broken lines illustrate portions of the environment and of the pen clip which form no part of the claimed design.

1 Claim, 5 Drawing Sheets

(56) **References Cited**

U.S. PATENT DOCUMENTS

- 2,433,712 A * 12/1947 Shearon A44B 11/28
24/163 R
- 2,795,797 A * 6/1957 Reilly A41F 9/002
2/339
- 3,823,422 A * 7/1974 Forgett, Jr. A41F 9/002
2/321
- 4,100,655 A * 7/1978 Langley A41F 9/002
2/322
- D271,212 S * 11/1983 Itoh D19/165
- D306,317 S * 2/1990 Petterson D19/197
- D331,422 S * 12/1992 Weilert D19/197



(56)

References Cited

U.S. PATENT DOCUMENTS

D817,399 S * 5/2018 Kim D19/174
D829,822 S * 10/2018 Fan D19/167

* cited by examiner

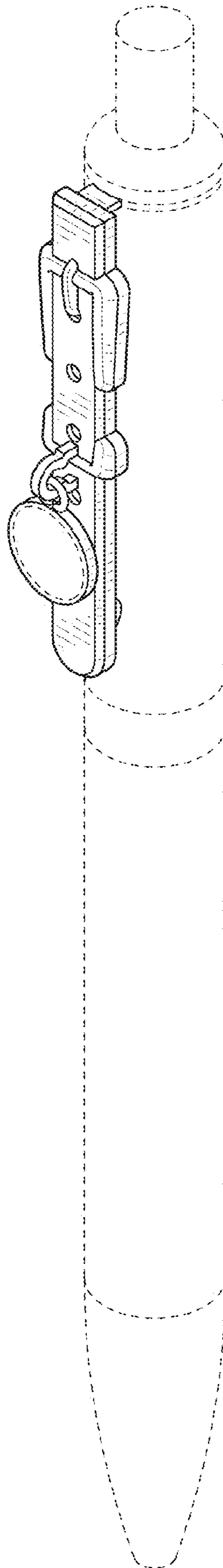


FIG. 1

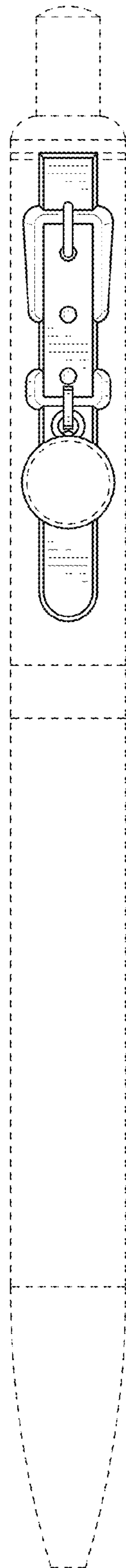


FIG. 2

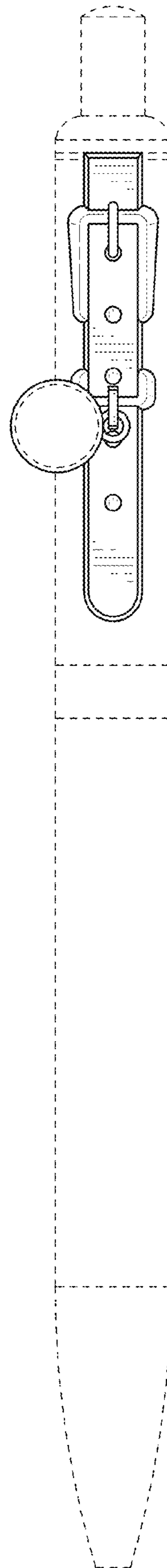


FIG. 3

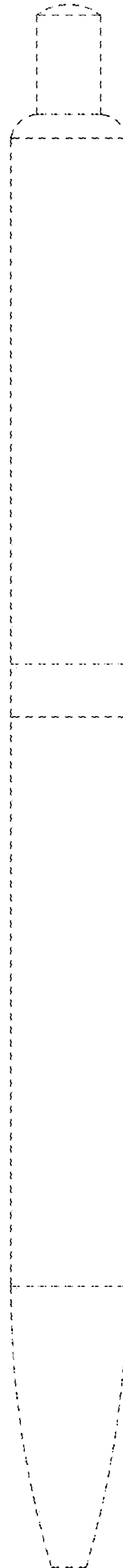


FIG. 4

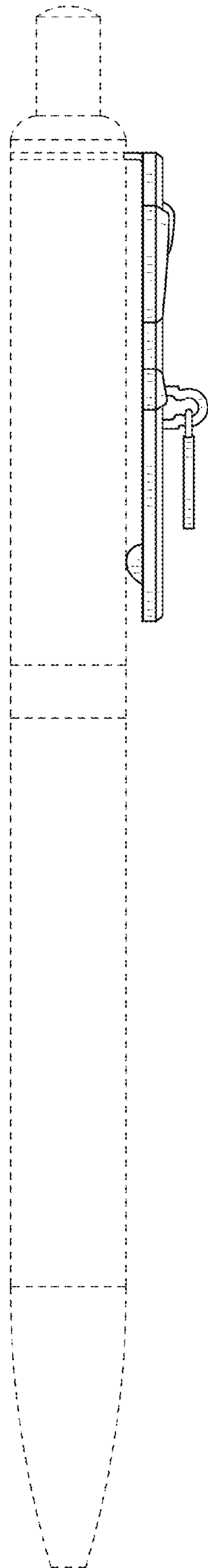


FIG. 5

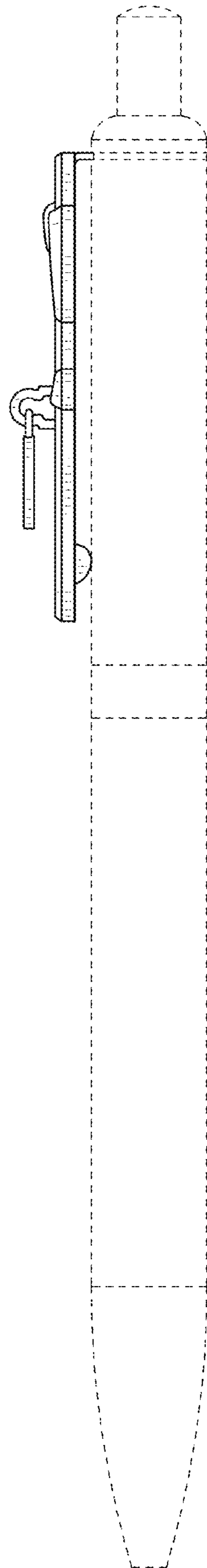


FIG. 6

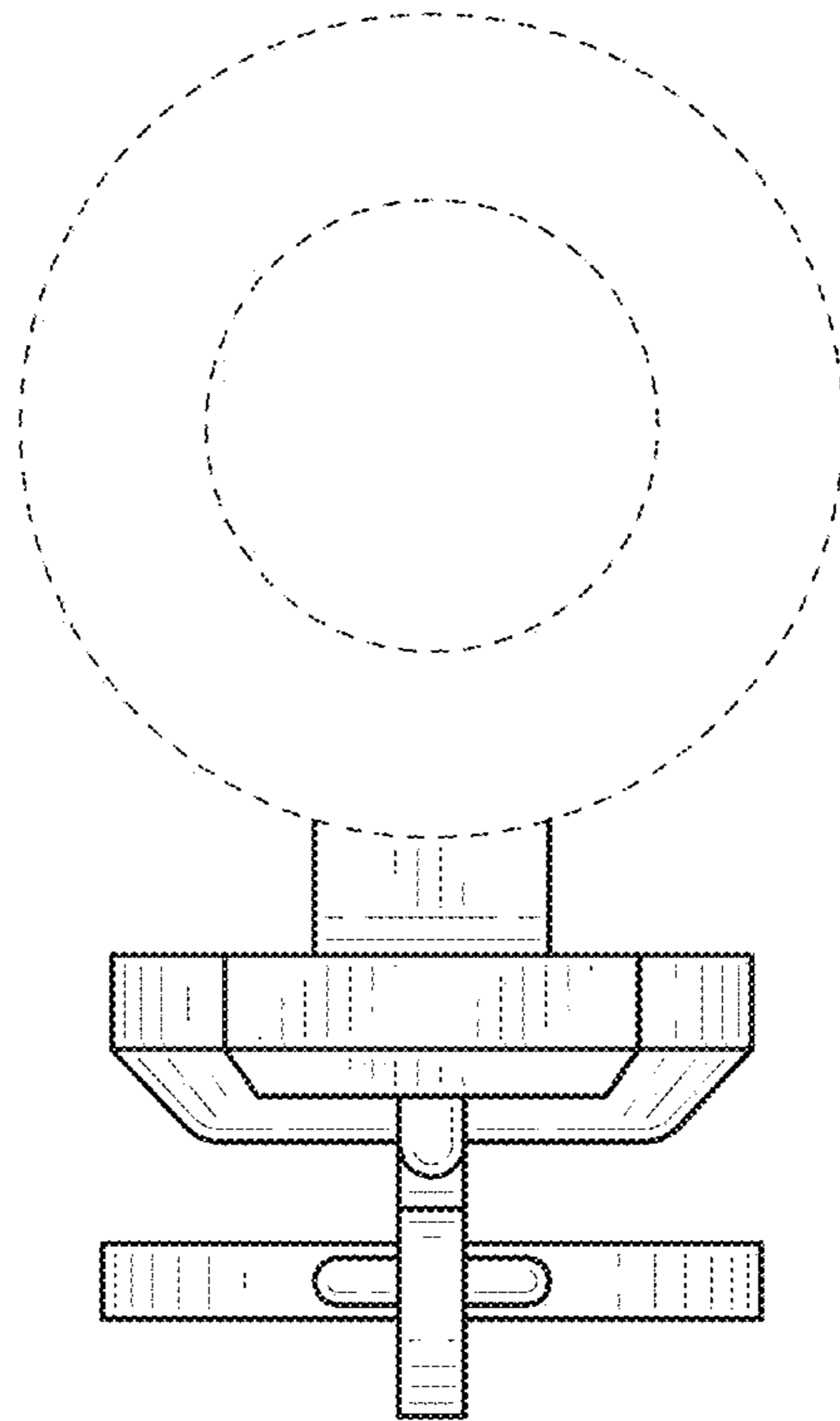


FIG. 7

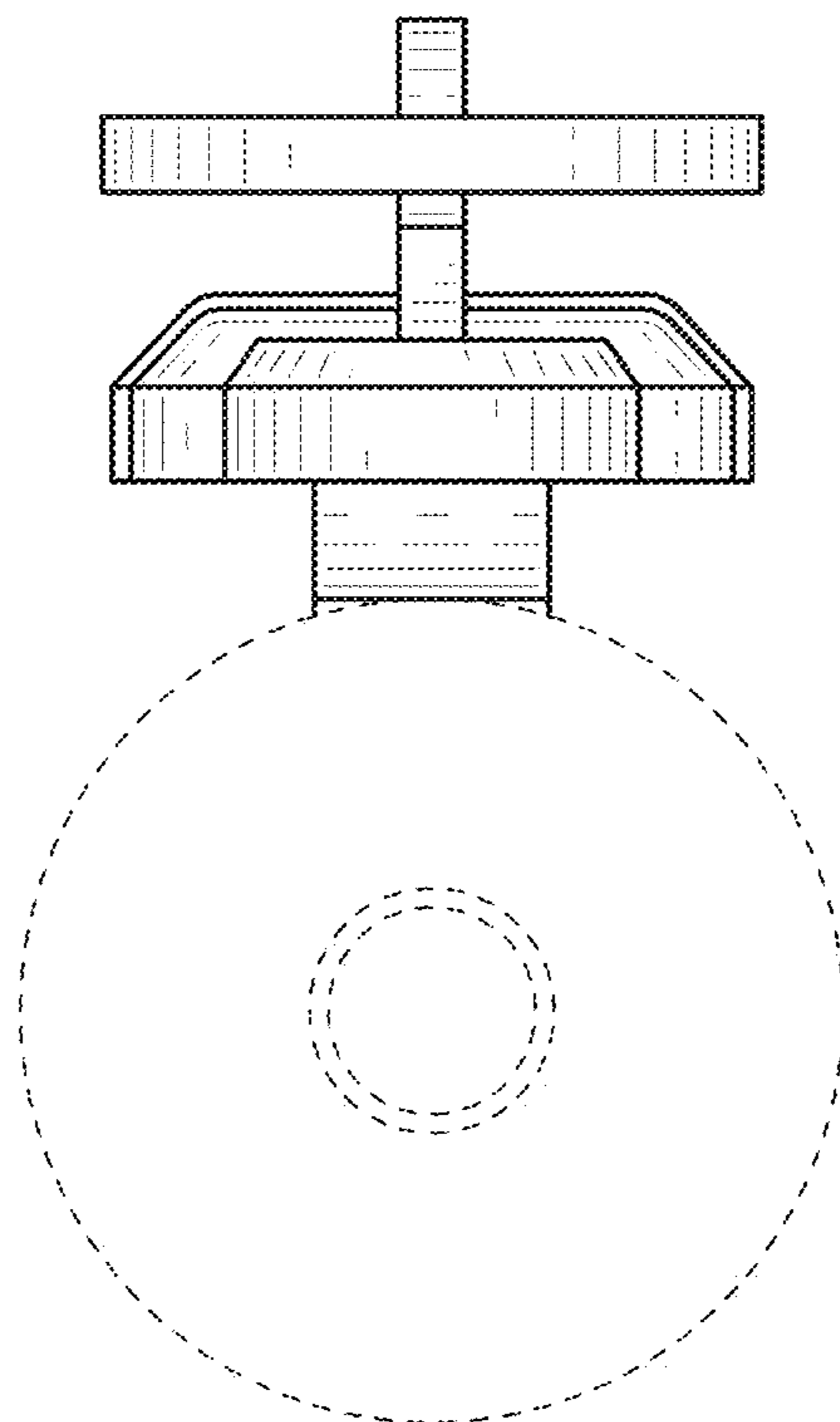


FIG. 8