



US00D886193S

(12) **United States Design Patent**
Matsumura

(10) **Patent No.:** **US D886,193 S**

(45) **Date of Patent:** **** Jun. 2, 2020**

(54) **PEN**

(71) Applicant: **KABUSHIKI KAISHA PILOT CORPORATION**, Tokyo (JP)

(72) Inventor: **Naomi Matsumura**, Tokyo (JP)

(73) Assignee: **KABUSHIKI KAISHA PILOT CORPORATION**, Tokyo (JP)

(**) Term: **15 Years**

(21) Appl. No.: **29/649,266**

(22) Filed: **May 29, 2018**

(30) **Foreign Application Priority Data**

Nov. 30, 2017 (JP) 2017-026757
Nov. 30, 2017 (JP) 2017-026758

(51) **LOC (12) Cl.** **19-06**

(52) **U.S. Cl.**
USPC **D19/164**; D19/904; D19/917

(58) **Field of Classification Search**
USPC D19/115-204; D14/411
CPC . B43K 5/005; B43K 7/12; B43K 8/04; B43K
8/06; B43K 19/0002; B43K 19/14; B43K
21/006; B43K 21/06
See application file for complete search history.

(56) **References Cited**

U.S. PATENT DOCUMENTS

2,156,775 A * 5/1939 Zimmer B43K 29/00
40/334
D259,792 S * 7/1981 Itoh D19/169
D478,350 S * 8/2003 Furlong D19/164
D499,138 S * 11/2004 Banderet D19/169
D547,802 S * 7/2007 Jeon D19/166
D549,775 S * 8/2007 Kent D19/166
D568,932 S * 5/2008 Qiu D19/166
D591,348 S * 4/2009 Yu D19/168

D602,083 S * 10/2009 Ma D19/168
D610,617 S * 2/2010 Zhang D19/168
D641,787 S * 7/2011 Tan D19/165
D668,717 S * 10/2012 Mizoguchi D19/168
D685,026 S * 6/2013 Koo D19/166

(Continued)

Primary Examiner — Elizabeth A. Albert

(74) *Attorney, Agent, or Firm* — Sughrue Mion, PLLC

(57) **CLAIM**

The ornamental design for a pen, as shown and described.

DESCRIPTION

FIG. 1 is a perspective view of a pen showing my new design;

FIG. 2 is a front view thereof, a rear view being a mirror view of the front view;

FIG. 3 is a left side view thereof;

FIG. 4 is a right side view thereof;

FIG. 5 is a top view thereof;

FIG. 6 is a bottom view thereof;

FIG. 7 is a front of the cap shown without the pen for convenience, a rear view of the cap being a mirror image of the front view thereof;

FIG. 8 is a left side view thereof;

FIG. 9 is a right side view thereof;

FIG. 10 is a top view thereof;

FIG. 11 is a bottom view thereof;

FIG. 12 is a front view of the pen shown without the cap for convenience, a rear view of the pen being a mirror image of the front view thereof;

FIG. 13 is a left side view thereof;

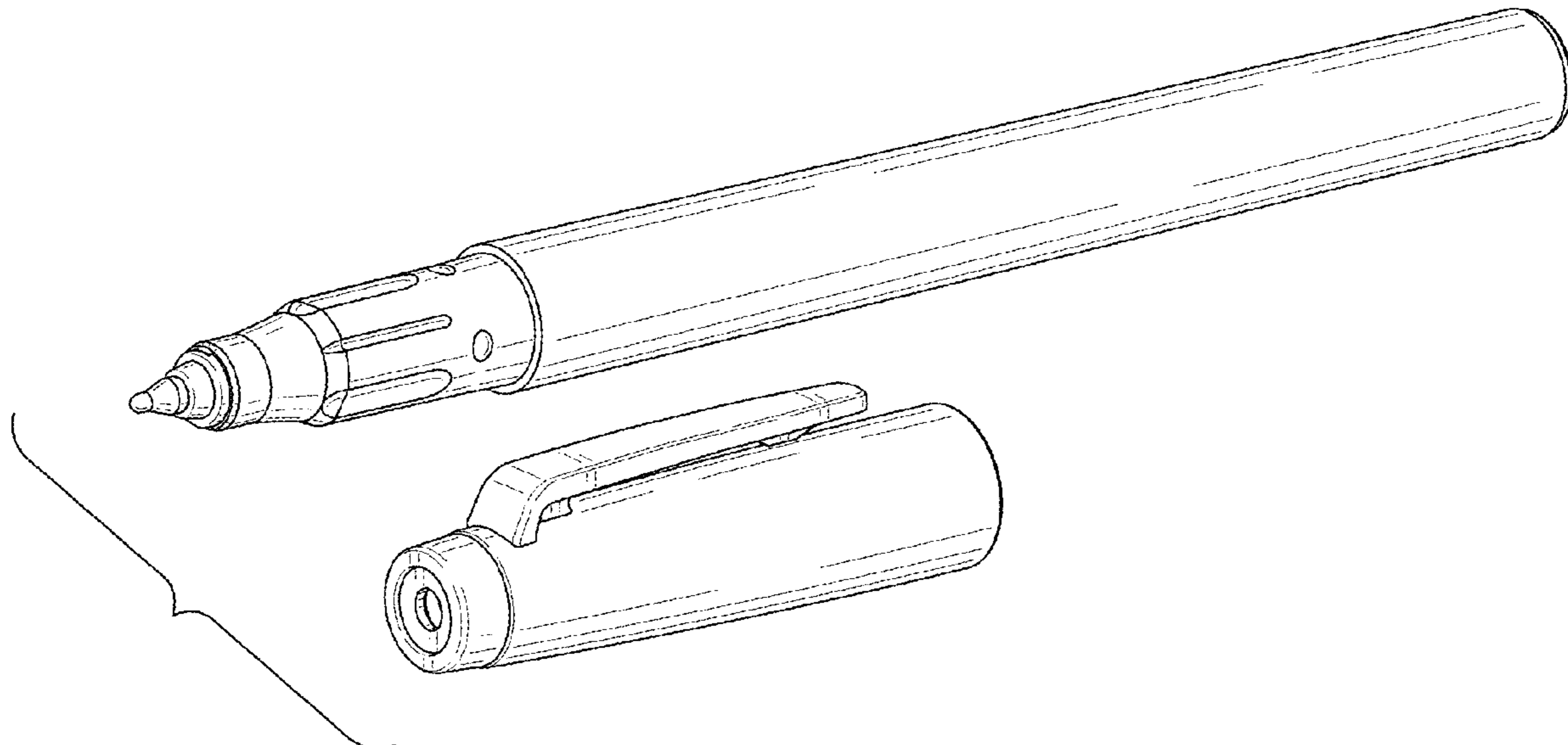
FIG. 14 is a right side view thereof;

FIG. 15 is a top view thereof;

FIG. 16 is a bottom view thereof; and,

FIG. 17 is an exploded perspective view of the whole pen. The broken lines in the drawing of FIG. 9 are included to show features that form no part of the claimed design.

1 Claim, 7 Drawing Sheets



(56)

References Cited

U.S. PATENT DOCUMENTS

D693,877 S *	11/2013	Lv	D19/166
D696,346 S *	12/2013	Lv	D19/165
D698,864 S *	2/2014	Watase	D19/164
D728,689 S *	5/2015	Ikeda	D19/168
D740,366 S *	10/2015	Vadenne	D19/195
D754,661 S *	4/2016	Nishizawa	D14/411
D816,165 S *	4/2018	Haug	D19/163
D825,661 S *	8/2018	Zavada	D19/164
D829,821 S *	10/2018	Xie	D19/166
D835,190 S *	12/2018	Silva Rubio	D19/165
D841,092 S *	2/2019	Houston	D19/164
D847,261 S *	4/2019	Gatti	D19/164

* cited by examiner

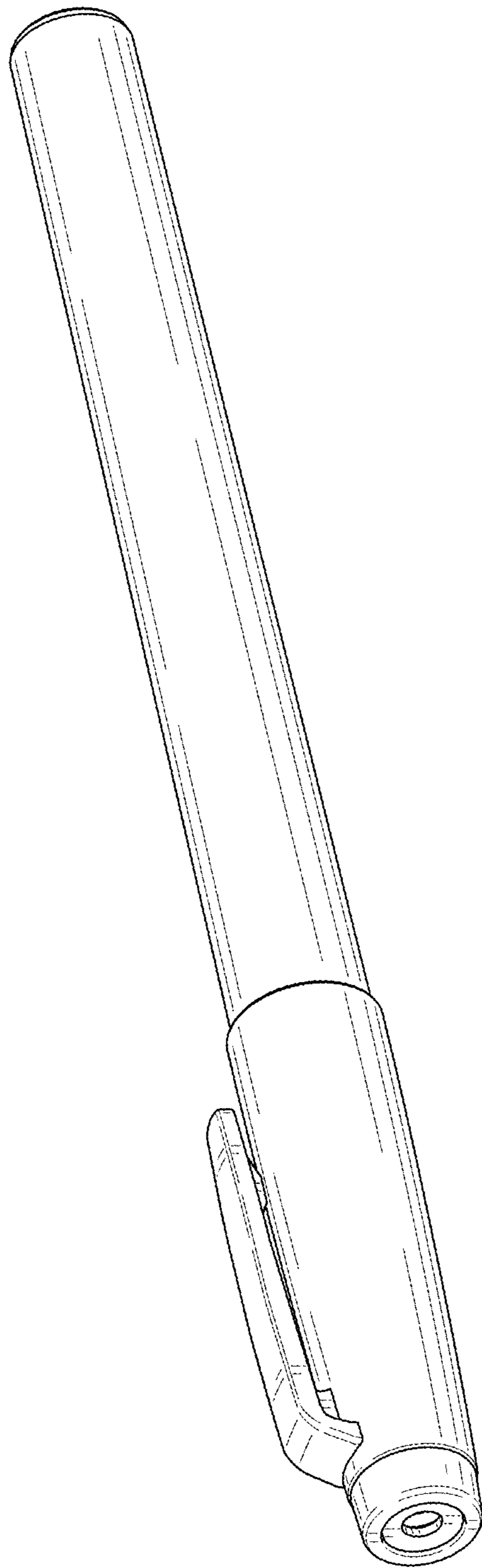


FIG. 1

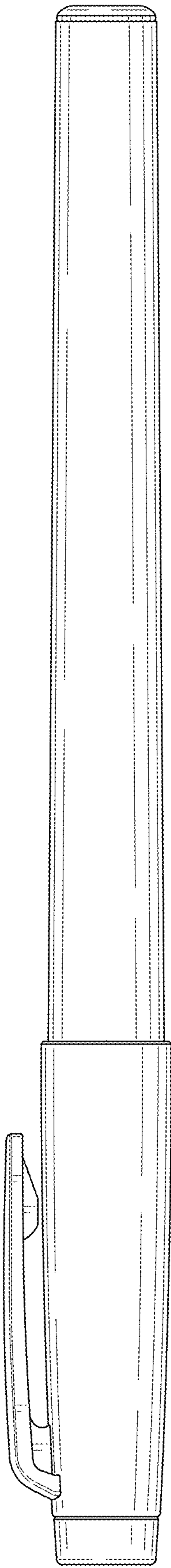


FIG. 2

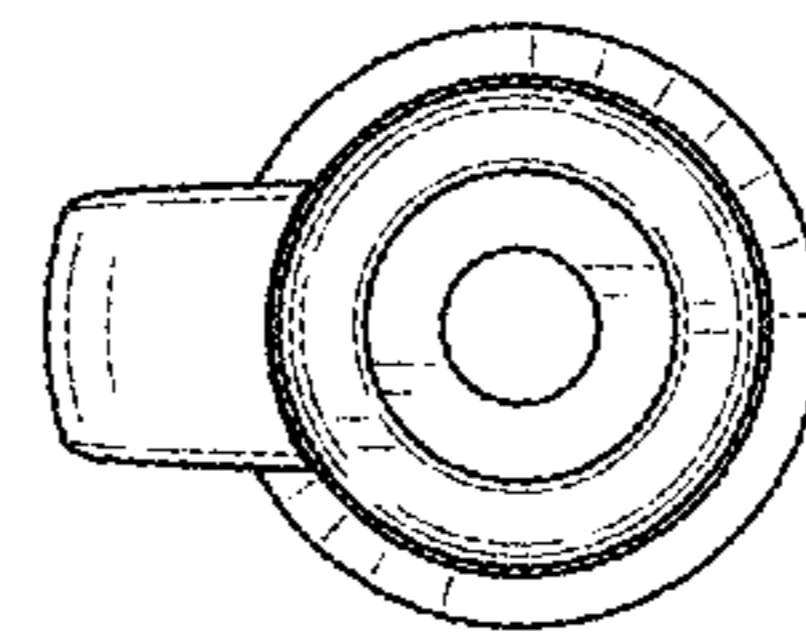


FIG. 3

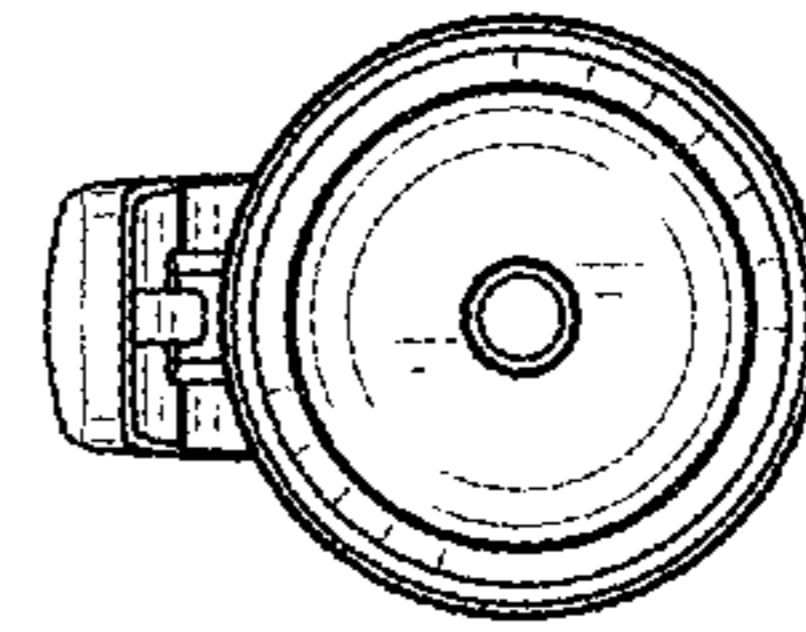


FIG. 4

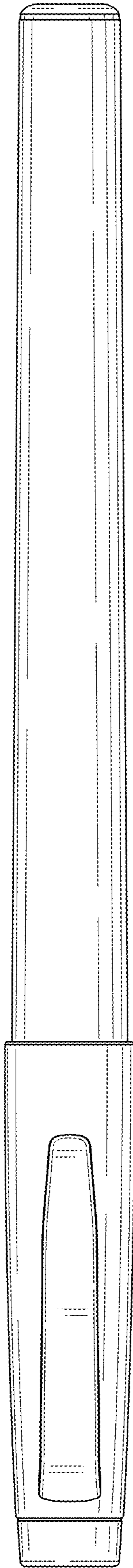


FIG. 5

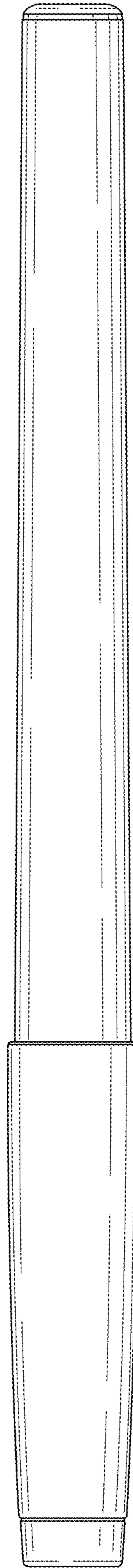


FIG. 6

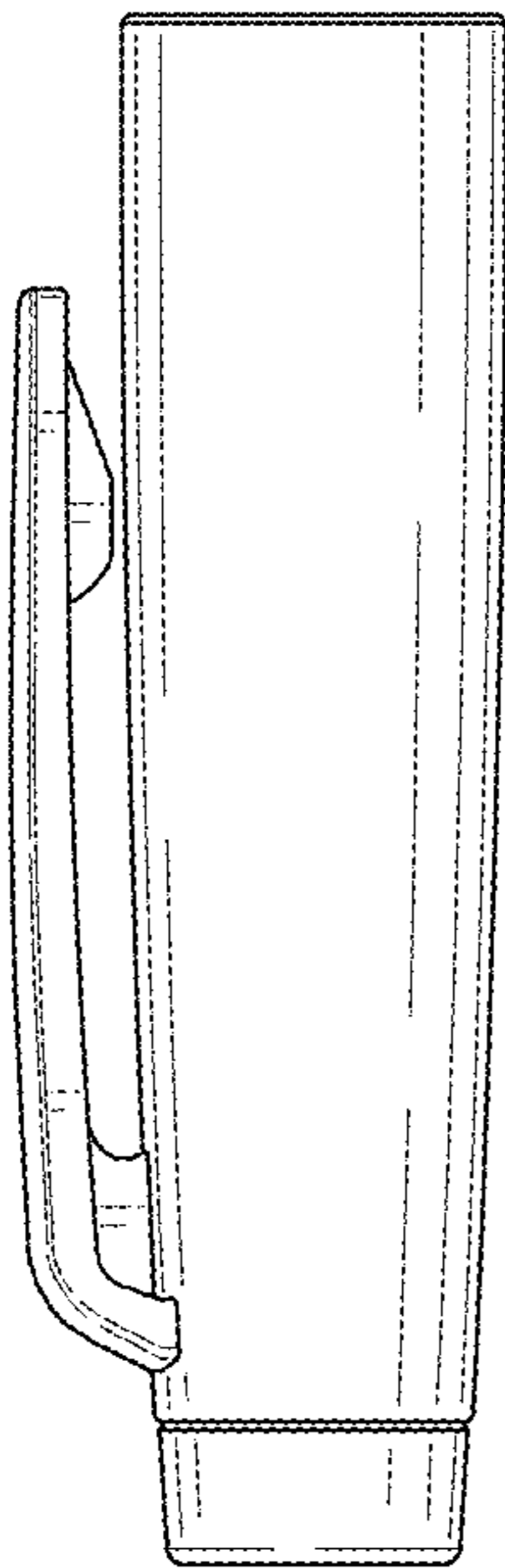


FIG. 7

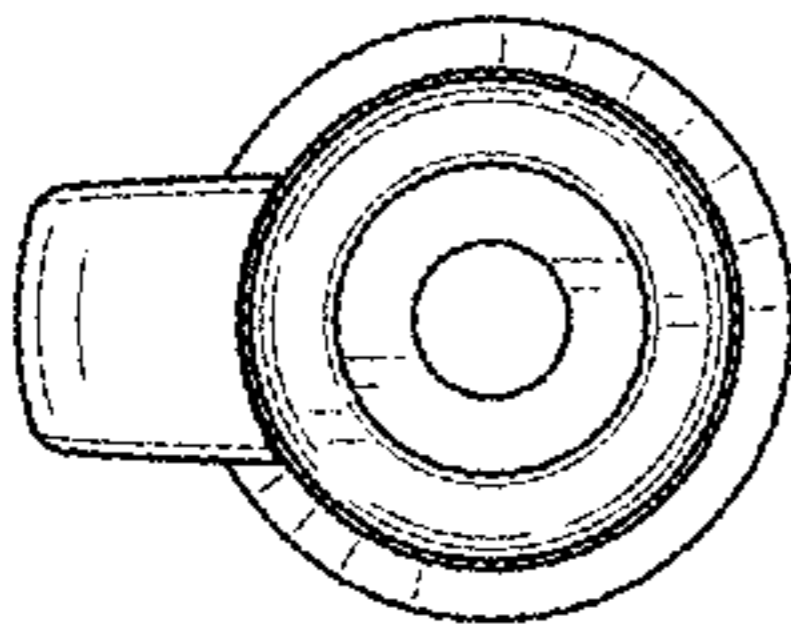


FIG. 8

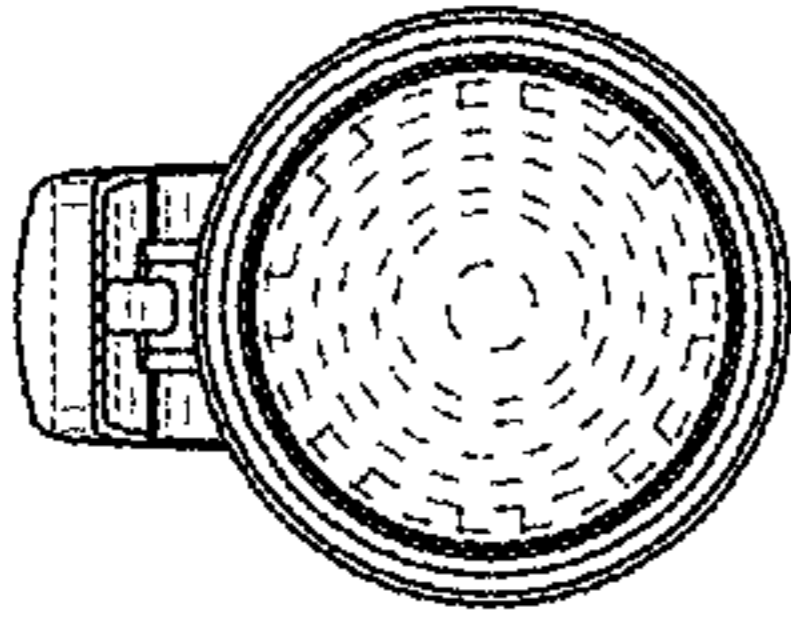


FIG. 9

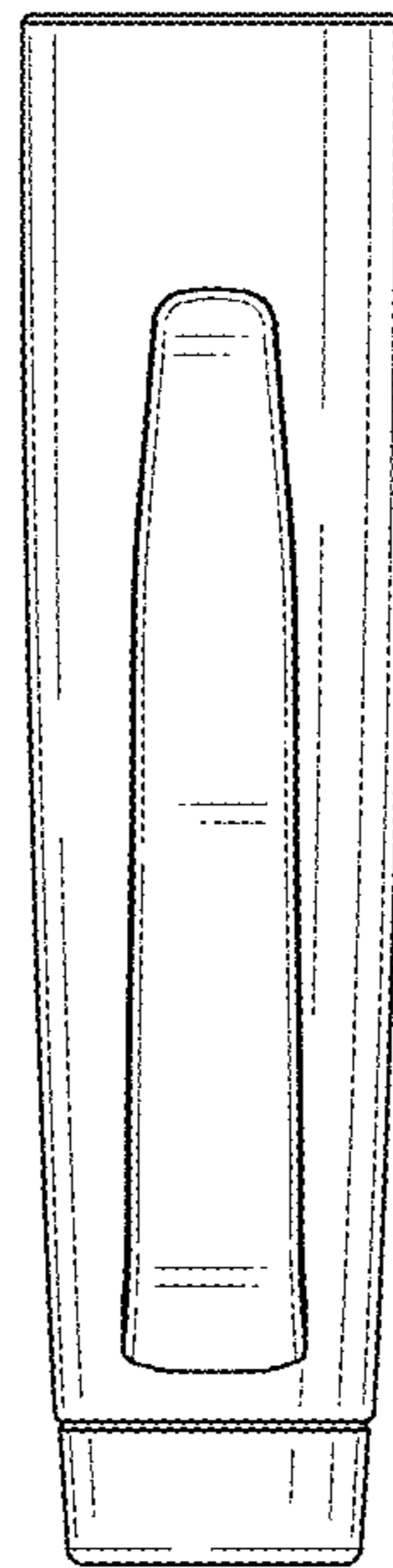


FIG. 10

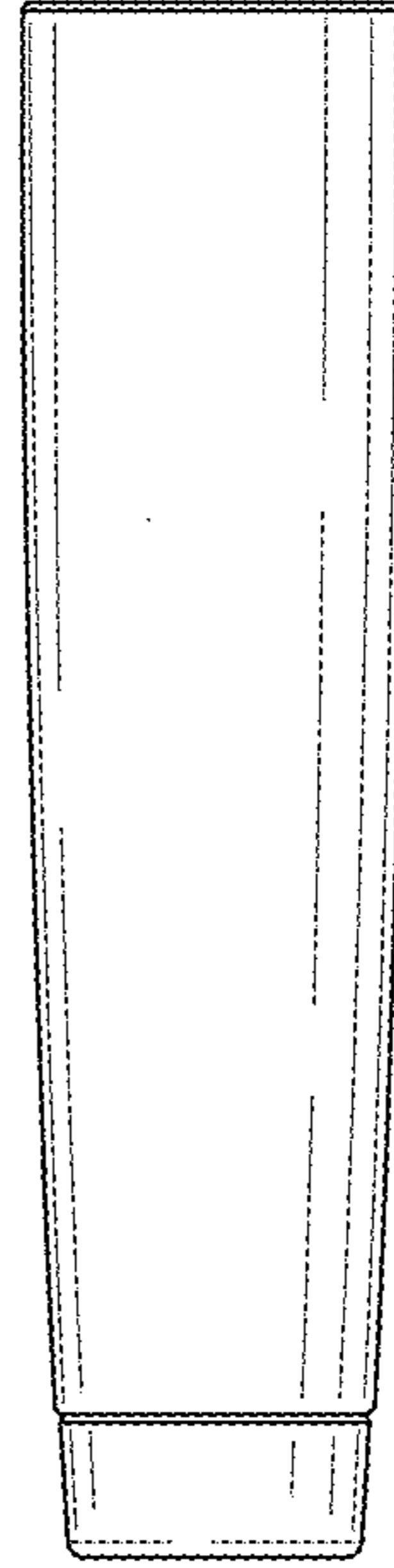


FIG. 11

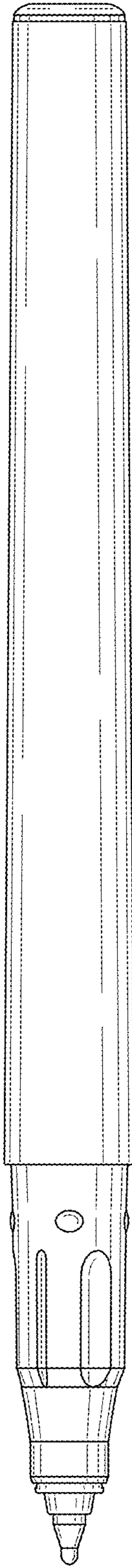


FIG. 12

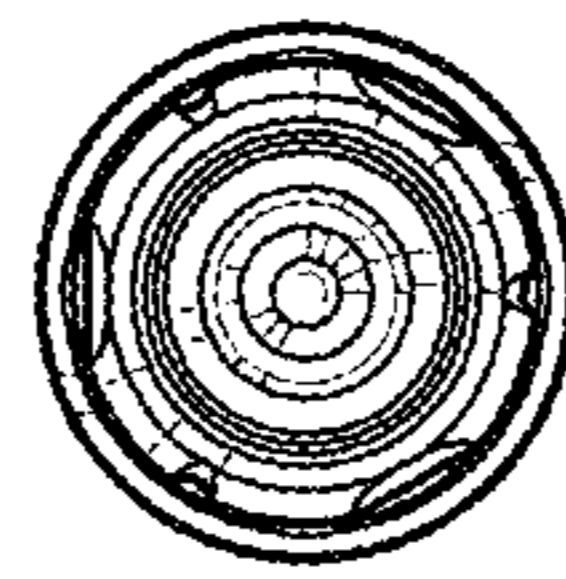


FIG. 13

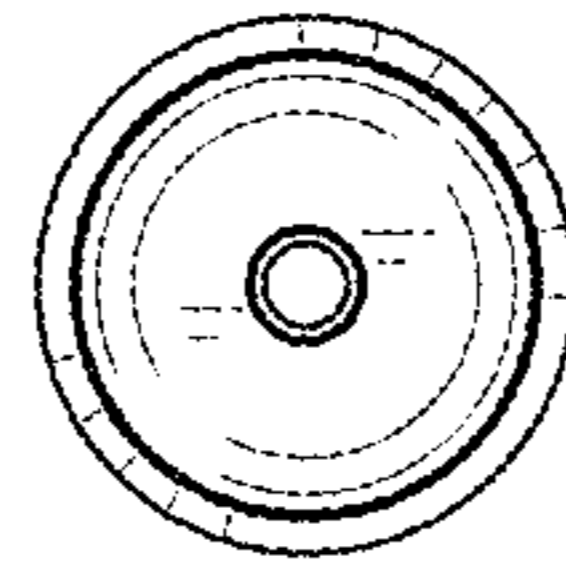


FIG. 14

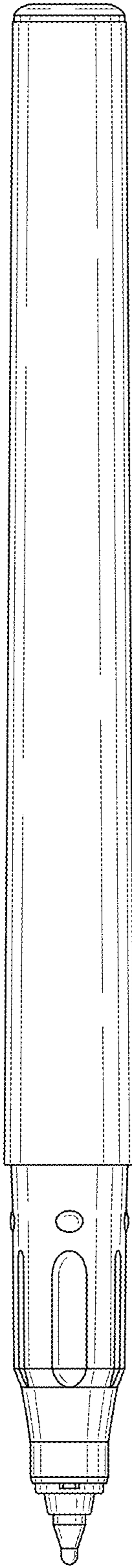


FIG. 15

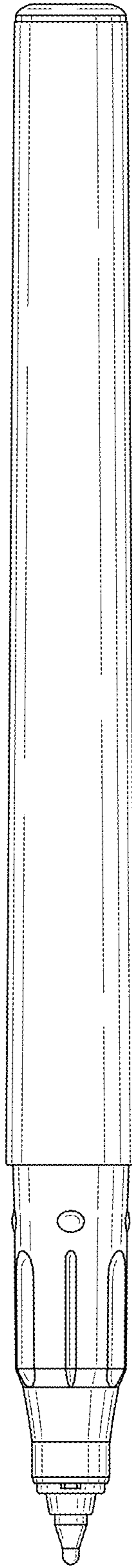


FIG. 16

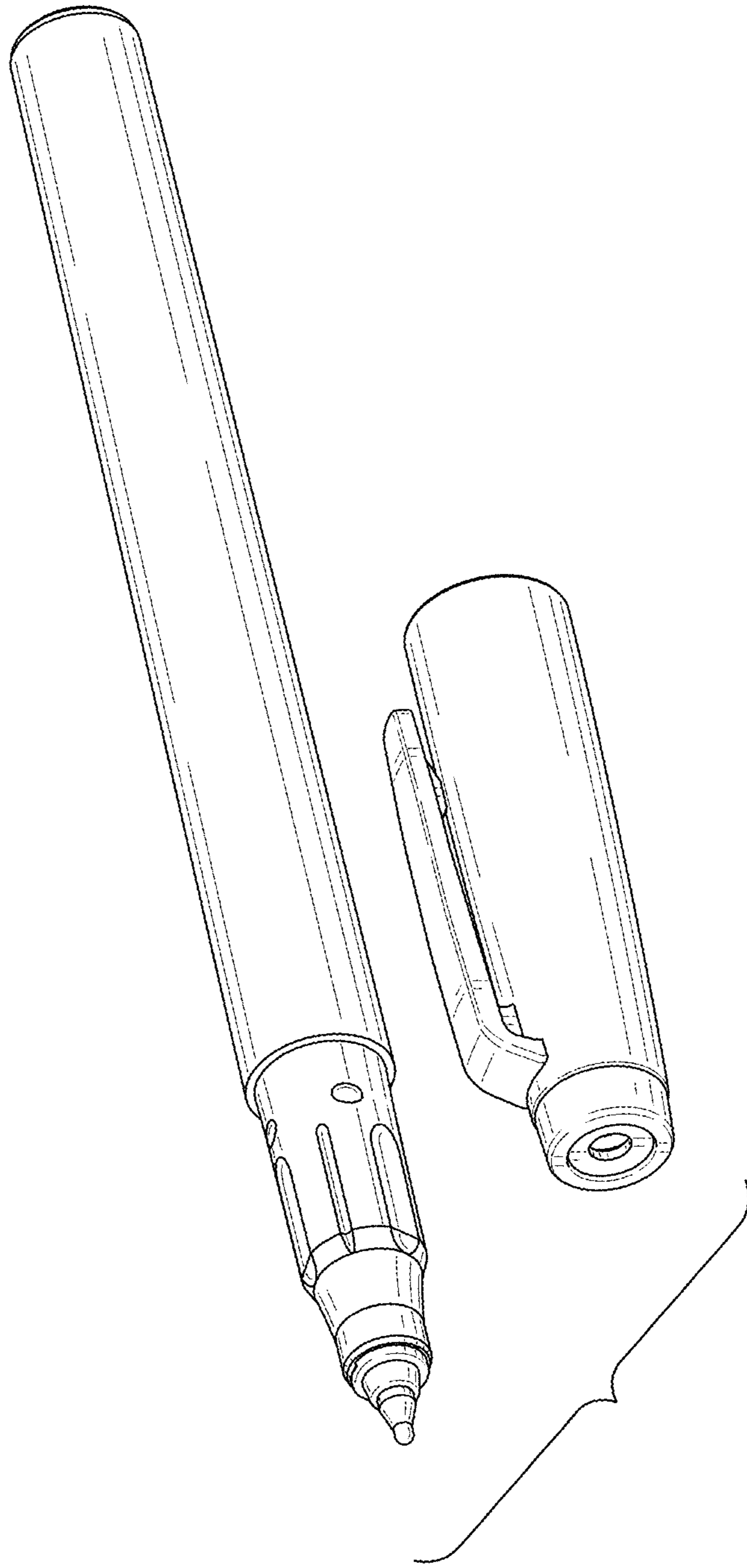


FIG. 17