



US00D886192S

(12) **United States Design Patent** (10) **Patent No.:** **US D886,192 S**  
**McCutchan et al.** (45) **Date of Patent:** **\*\* Jun. 2, 2020**

- (54) **DISPENSER FOR ADHESIVE** 4,748,990 A \* 6/1988 Brown ..... B65D 47/242  
132/320
- (71) Applicant: **The Gorilla Glue Company LLC,** D300,265 S \* 3/1989 Brown ..... D28/7  
Cincinnati, OH (US) D309,716 S \* 8/1990 Umekawa ..... D9/445  
D338,159 S \* 8/1993 Densky ..... D9/453  
D362,623 S \* 9/1995 Ma ..... D9/443
- (72) Inventors: **Michael Dean McCutchan,** Hamilton, 5,501,370 A 3/1996 Okamura et al.  
OH (US); **James Troy Starkey,** North 5,505,342 A 4/1996 Okamura et al.  
Haven, CT (US); **Ryan Joseph** D421,058 S \* 2/2000 Regan ..... D19/194  
**Boudreaux,** Yorktown Heights, NY D436,376 S \* 1/2001 Regan ..... D19/66  
(US); **Luis Ramiro Gutierrez** 6,315,165 B1 11/2001 Regan  
**Montenegro,** Stamford, CT (US) D456,844 S \* 5/2002 Oka ..... D19/161  
D463,495 S \* 9/2002 Sasada ..... D19/66  
D496,279 S 9/2004 Hama et al.  
D497,107 S 10/2004 Hama et al.
- (73) Assignee: **THE GORILLA GLUE COMPANY** D534,434 S \* 1/2007 Born ..... D9/724  
**LLC,** Cincinnati, OH (US) D537,730 S 3/2007 Shimizu et al.  
D546,939 S \* 7/2007 Collins ..... D24/110
- (\*\*) Term: **15 Years** (Continued)

(21) Appl. No.: **29/673,450**

(22) Filed: **Dec. 14, 2018**

(51) **LOC (12) Cl.** ..... **19-02**

(52) **U.S. Cl.**  
USPC ..... **D19/66**

(58) **Field of Classification Search**  
USPC ..... D19/65-69; D6/515; D8/395; D9/723,  
D9/724, 727, 730, 734, 504, 529  
CPC ..... B65H 35/00; B65H 35/0026;  
B65H 35/0033; B65H 35/0073; B65H  
35/008; B65H 35/06; B65H 37/005;  
B65H 37/007

See application file for complete search history.

(56) **References Cited**

**U.S. PATENT DOCUMENTS**

- D116,240 S \* 8/1939 Petzold ..... D9/739
- D123,502 S \* 11/1940 Jung ..... D9/453
- D195,649 S \* 7/1963 Lindemann ..... D24/115
- D205,316 S \* 7/1966 Armour ..... D24/110
- 3,938,898 A \* 2/1976 Reitknecht ..... A61M 35/006  
401/183
- D248,865 S \* 8/1978 Sussman ..... D19/166

**FOREIGN PATENT DOCUMENTS**

- CN 203186657 U 9/2013
- EP 0579906 B1 4/1993

(Continued)

*Primary Examiner* — Elizabeth A. Albert

(74) *Attorney, Agent, or Firm* — Dinsmore & Shohl LLP

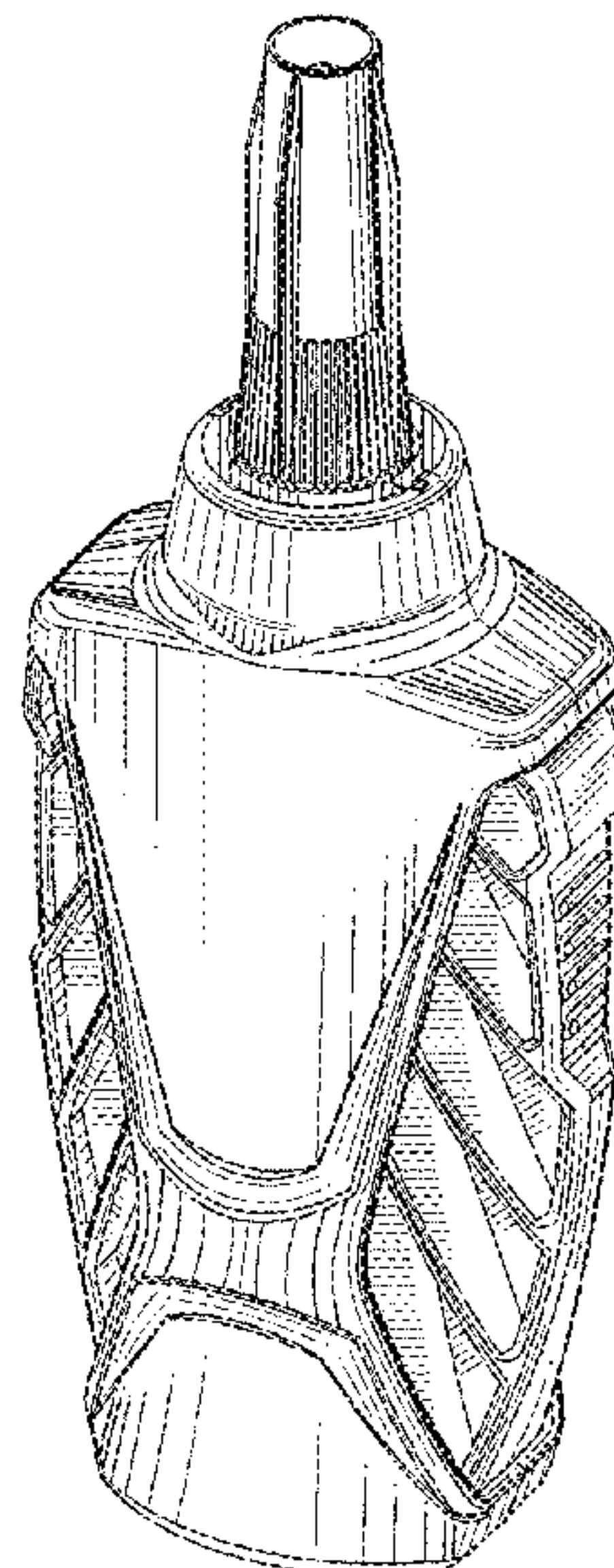
(57) **CLAIM**

The ornamental design for a dispenser for adhesive, as shown and described.

**DESCRIPTION**

FIG. 1 is a perspective view of a dispenser for adhesive with cover illustrating our new design;  
 FIG. 2 is a front elevational view thereof, the rear elevational view being the same;  
 FIG. 3 is a left side elevational view thereof, the right side elevational view being the same;  
 FIG. 4 is a top plan view thereof; and,  
 FIG. 5 is a bottom plan view thereof.

**1 Claim, 4 Drawing Sheets**



(56)

References Cited

U.S. PATENT DOCUMENTS

D555,012 S 11/2007 Yamauchi et al.  
D557,340 S 12/2007 Nagahama et al.  
D563,798 S \* 3/2008 Gibson ..... D9/724  
8,056,748 B2 11/2011 Chen  
D675,108 S \* 1/2013 Muhl ..... D9/521  
8,714,407 B2 5/2014 Frank et al.  
9,309,028 B2 4/2016 Kealy et al.  
D774,923 S \* 12/2016 Ohashi ..... D9/724  
9,669,652 B2 \* 6/2017 Kobayashi ..... C09J 4/00  
D816,510 S \* 5/2018 Nakagawa ..... D9/724  
D826,068 S \* 8/2018 Aboabdo ..... D9/724  
D832,107 S \* 10/2018 Ruthe-Steinsiek ..... D9/521  
2007/0218229 A1 9/2007 Nagahama et al.  
2017/0267413 A1 9/2017 Qian

FOREIGN PATENT DOCUMENTS

EP 0639510 A2 7/1994  
EP 521200 B1 4/1996  
EP 1091884 A3 6/1999  
EP 2490956 B1 8/2014  
EP 2576373 A4 12/2014  
JP 2003020078 A 1/2003  
JP 2003226374 A 8/2003  
JP 2004182249 A 7/2004  
JP 5212579 B1 6/2013  
WO 2016090811 A1 6/2016  
WO 2017178487 A1 10/2017

\* cited by examiner

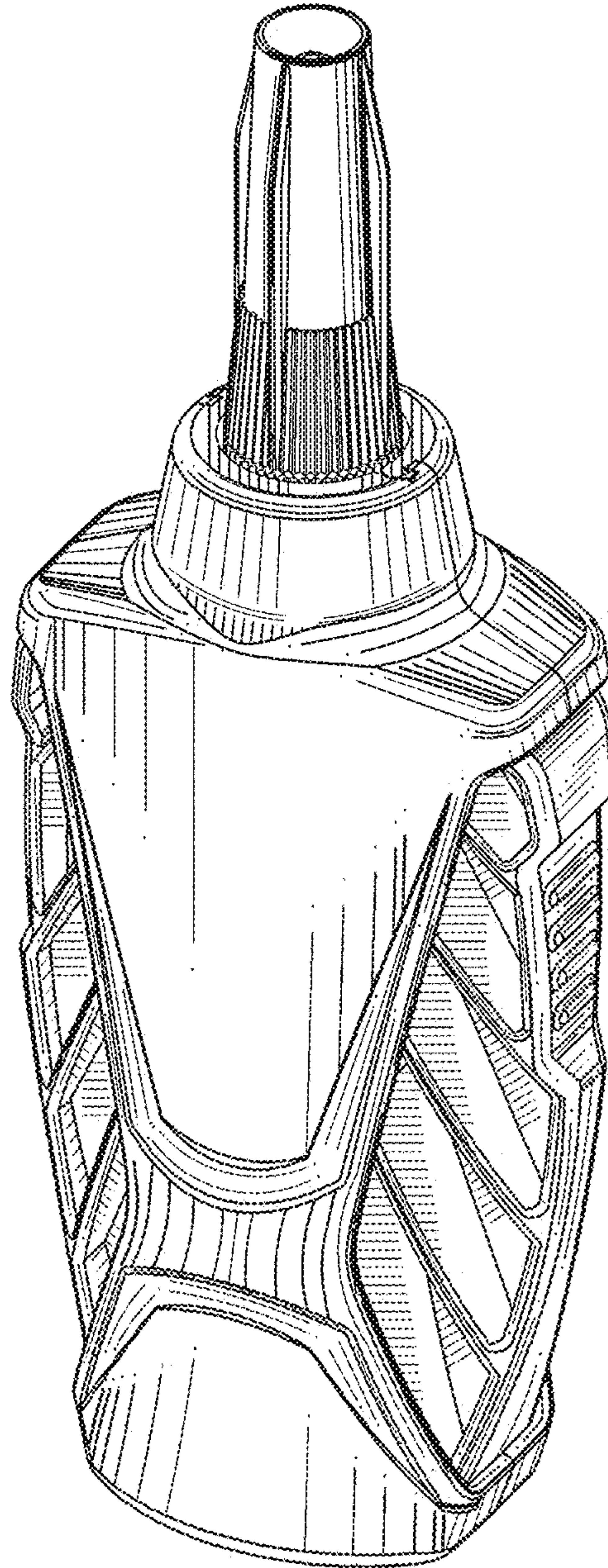


FIG. 1



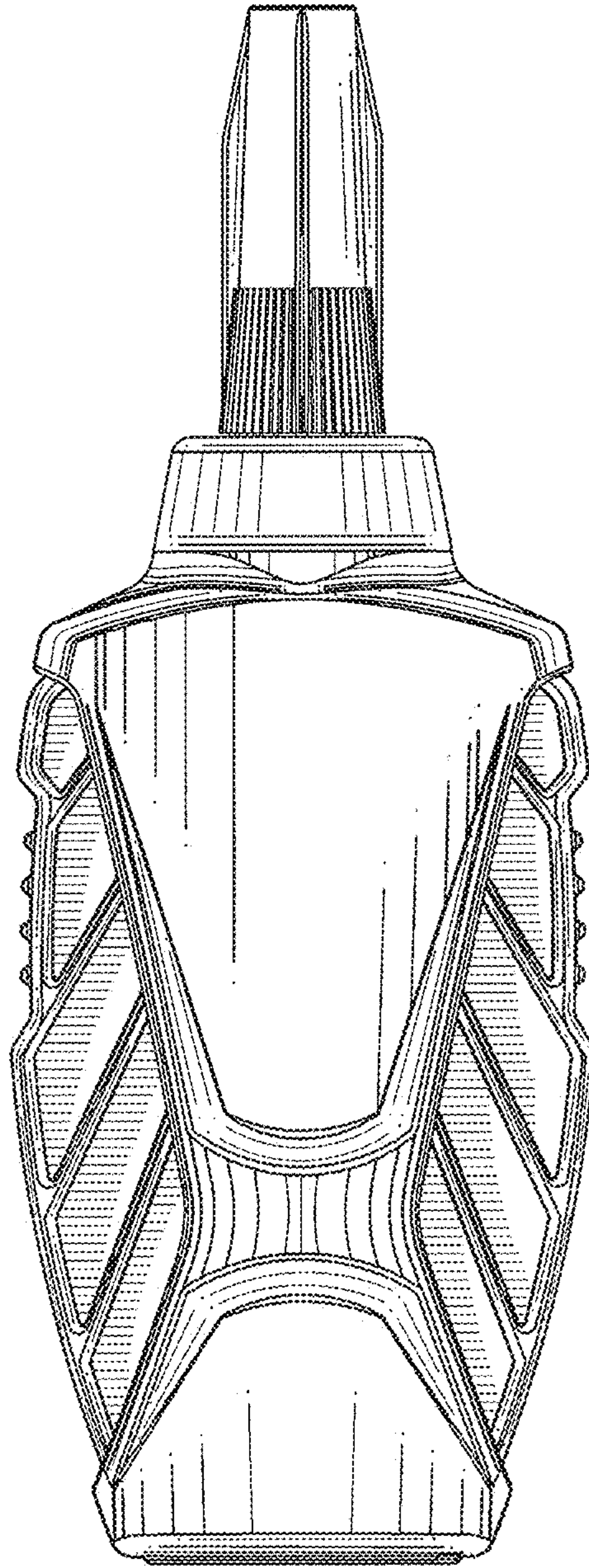


FIG. 2

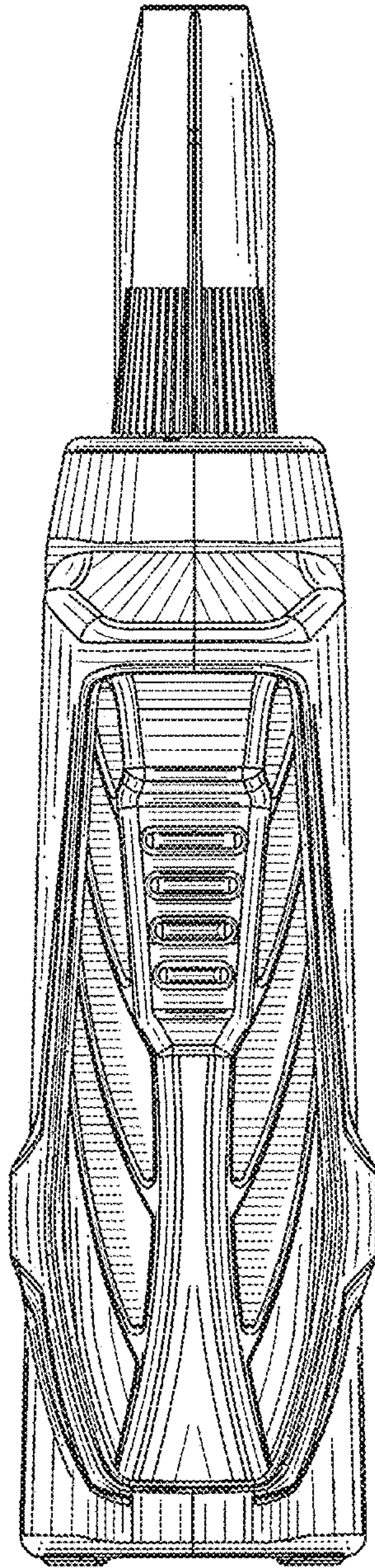


FIG. 3



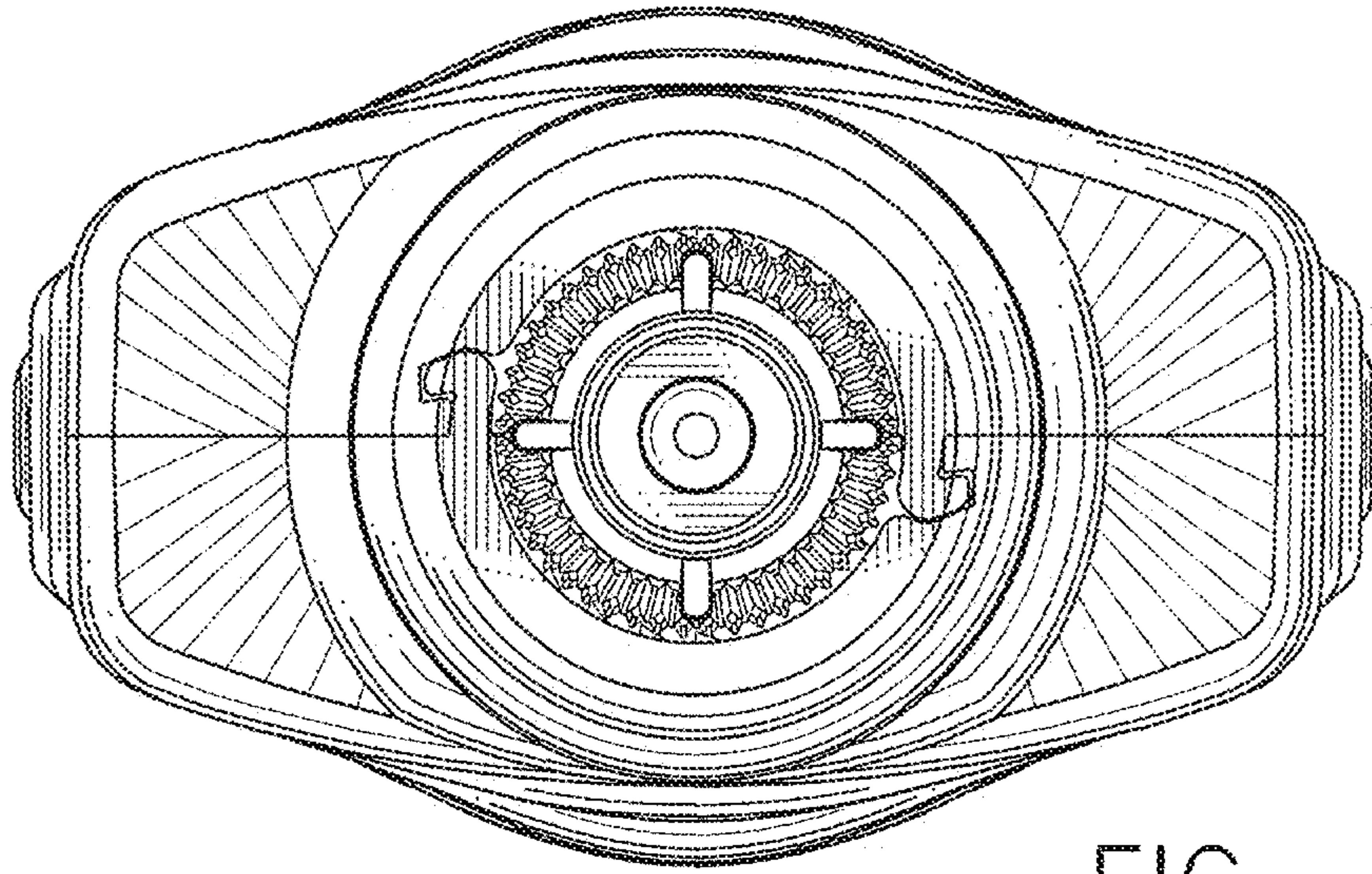


FIG. 4

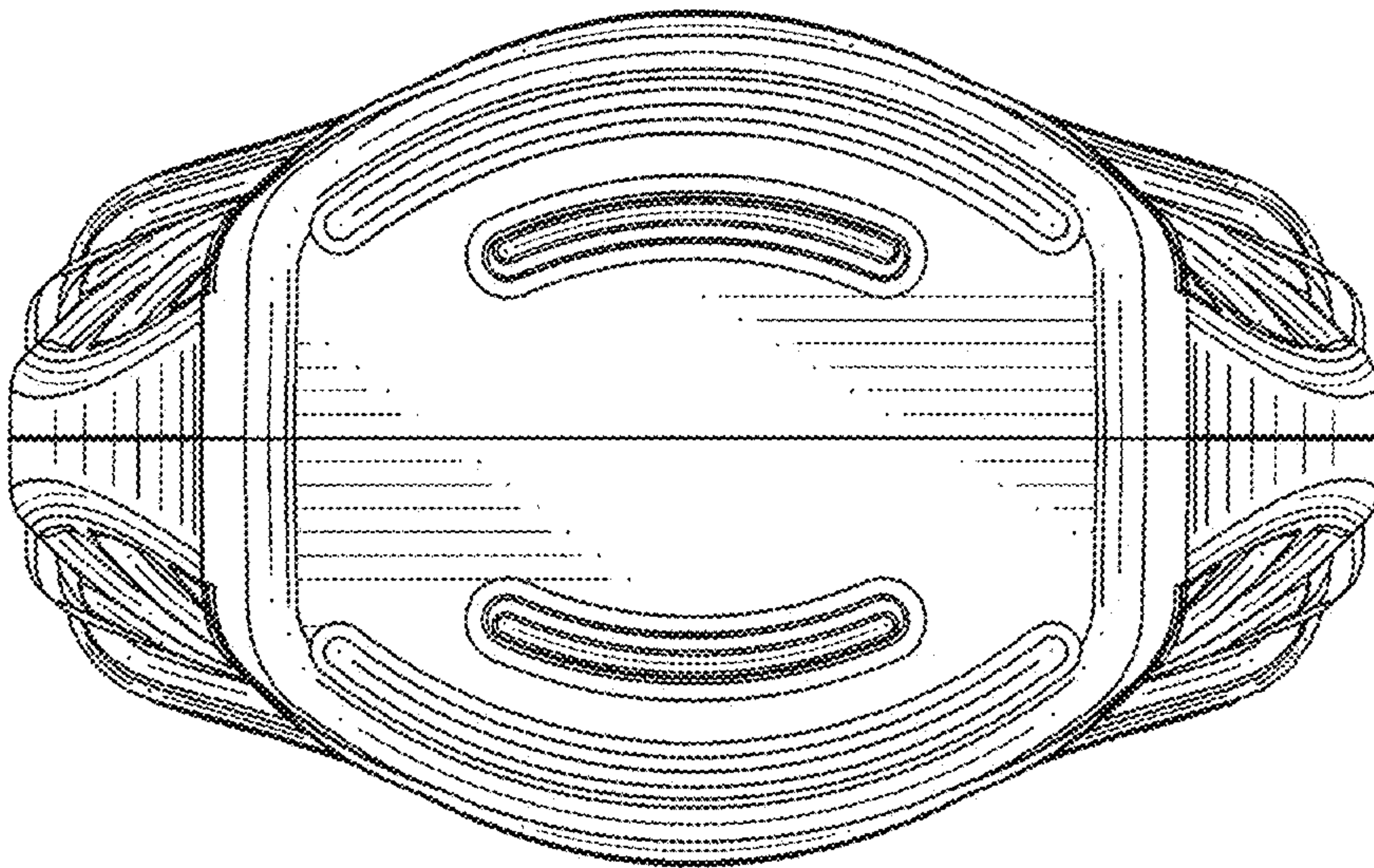


FIG. 5