



US00D886188S

(12) **United States Design Patent** (10) **Patent No.:** **US D886,188 S**
Li et al. (45) **Date of Patent:** **** Jun. 2, 2020**

(54) **PORTABLE PAYMENT MACHINE**

(56) **References Cited**

(71) Applicant: **ALIBABA GROUP HOLDING LIMITED**, Grand Cayman (KY)

U.S. PATENT DOCUMENTS

(72) Inventors: **Xuelong Li**, Hangzhou (CN); **Xinyu Weng**, Hangzhou (CN)

D294,764 S * 3/1988 Fincke D13/164
D321,881 S * 11/1991 Hopewell D14/192
D336,261 S * 6/1993 James D10/106.1
D346,125 S * 4/1994 Cote D10/104.2
D347,584 S * 6/1994 Vogelpohl D10/49
D360,153 S * 7/1995 Chacchia D10/101
D394,405 S * 5/1998 Cummings D10/46
D399,154 S * 10/1998 Proctor D10/104.1
D407,985 S * 4/1999 Pimentel D10/104.2
D416,492 S * 11/1999 Peters D10/126

(73) Assignee: **ALIBABA GROUP HOLDING LIMITED**, Georgetown (KY)

(**) Term: **15 Years**

(Continued)

(21) Appl. No.: **29/677,637**

FOREIGN PATENT DOCUMENTS

(22) Filed: **Jan. 22, 2019**

JP 1583285 S 8/2017
JP 1637694 S 7/2019

(30) **Foreign Application Priority Data**

Jul. 25, 2018 (CN) 2018 3 0405026

OTHER PUBLICATIONS

Office Action for Japanese Application No. 2019-001406 dated Oct. 29, 2019 (1 page).

Primary Examiner — Marie D. Fast Horse

(51) **LOC (12) Cl.** **18-01**

(52) **U.S. Cl.**
USPC **D18/4.4**

(57) **CLAIM**

(58) **Field of Classification Search**

USPC D18/4.4, 4.5, 4.6, 2, 11, 14, 19-21, 50, D18/54, 99, 3.1; D14/307, 336, 371, D14/374, 383, 385, 386, 496, 126, 129, D14/299, 300, 301, 302, 303, 304, 314, D14/338, 339, 356, 357, 388, 421, 133, D14/440, 507, 137, 138 R, 138 AA, D14/138 G, 900, 901, 902; D20/1, 8, 9; D99/34, 43
CPC G06Q 20/00; G06Q 20/08; G06Q 20/20; G06Q 20/40; G06Q 20/204; G06Q 20/341; G07F 7/0873; G07F 7/088; G07G 1/0009; G07G 1/0018; G07G 1/0036; G07G 1/14; G07G 1/00; F16M 11/10; F16M 11/22; H04W 8/22; H04W 52/0225; H04W 52/0254

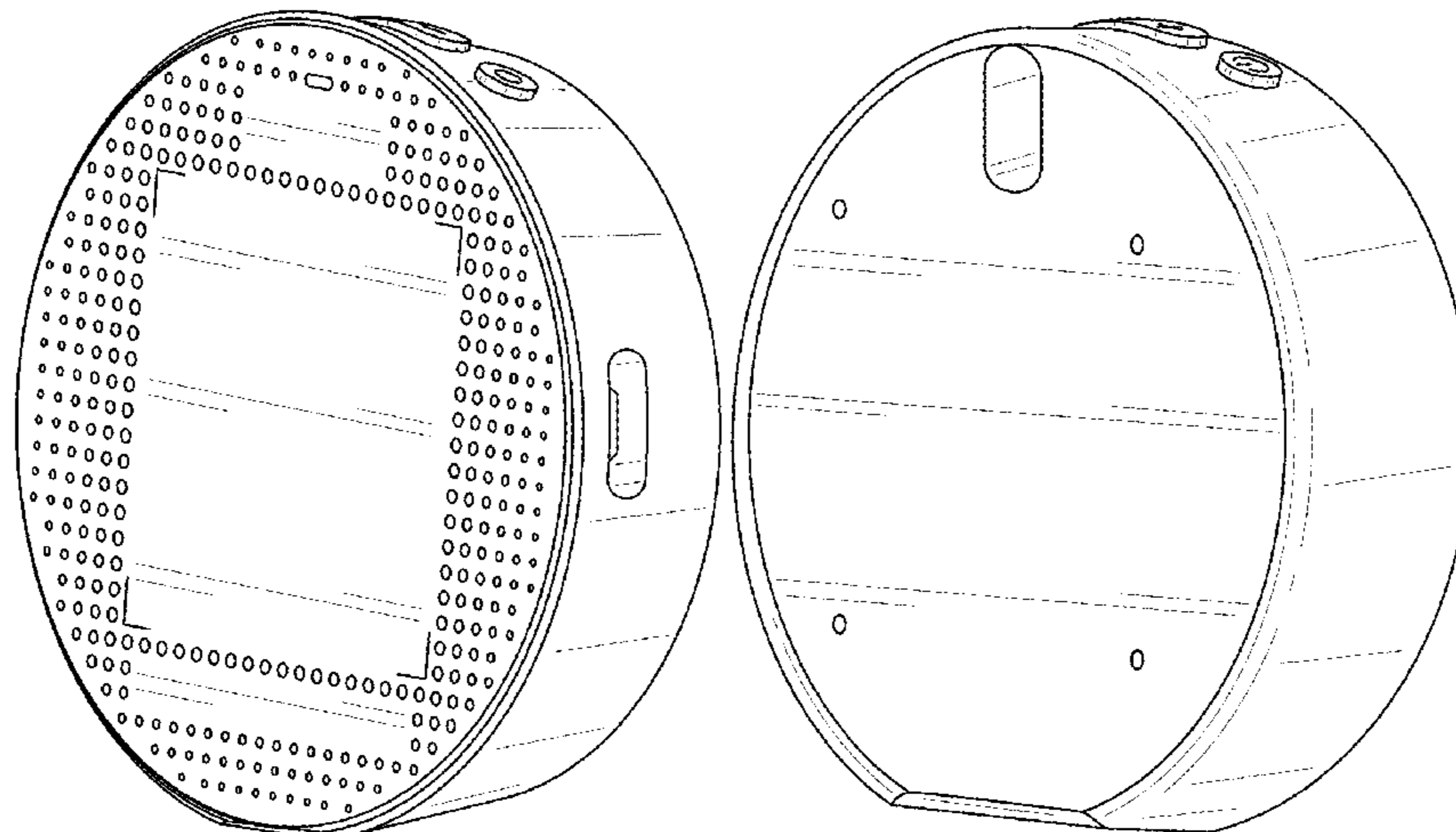
The ornamental design for a portable payment machine, as shown and described.

DESCRIPTION

FIG. 1 is a front view showing a portable payment machine showing my new design;
FIG. 2 is a rear view thereof;
FIG. 3 is a left-side view thereof;
FIG. 4 is a right-side view thereof;
FIG. 5 is a top view thereof;
FIG. 6 is a bottom view thereof;
FIG. 7 is a front-right perspective view thereof; and,
FIG. 8 is a rear-left perspective view thereof.

See application file for complete search history.

(Continued)



The broken lines in FIGS. 1-8 illustrate portions of the portable payment machine that are not part of the claimed design.

1 Claim, 5 Drawing Sheets

(56)

References Cited

U.S. PATENT DOCUMENTS

D417,465 S * 12/1999 Kreitz D14/192
 D428,444 S * 7/2000 McGarrah D20/8
 D431,114 S * 9/2000 Smith D21/710
 D435,547 S * 12/2000 Reed D14/250
 D435,597 S * 12/2000 Febish D20/10
 D437,890 S * 2/2001 McGarrah D20/8
 D438,847 S * 3/2001 Hasegawa D14/412
 D451,417 S * 12/2001 Simu-Brown D10/106.1
 D462,957 S * 9/2002 Ekelund D14/336
 D477,030 S * 7/2003 Kolls D20/8
 D477,321 S * 7/2003 Baughman D14/385
 D477,451 S * 7/2003 Dupe D99/34
 D490,840 S * 6/2004 Arakaki D18/12
 D493,939 S * 8/2004 Baumhogger D99/34
 D496,668 S * 9/2004 Huang D14/203.6
 D504,074 S * 4/2005 Tsujimura D10/46
 D506,404 S * 6/2005 Kaczmarek D10/104.1
 D506,693 S * 6/2005 Kaczmarek D10/104.1
 D507,657 S * 7/2005 Neel D10/102
 D511,116 S * 11/2005 Kelly, Jr. D10/106.1
 D511,985 S * 11/2005 Kelly, Jr. D10/106.1
 D512,406 S * 12/2005 Shimizu D14/167
 D512,898 S * 12/2005 Metivier D10/106.1
 D515,957 S * 2/2006 Dueker D10/109.1
 D528,146 S * 9/2006 Fitch D14/336
 D530,523 S * 10/2006 Pitot D6/308
 D536,368 S * 2/2007 Christian D18/35
 D542,791 S * 5/2007 Fitch D14/385
 D553,669 S * 10/2007 Henry D18/4.6
 D560,219 S * 1/2008 Yamakawa D14/385
 D561,904 S * 2/2008 Neel D24/216
 D564,014 S * 3/2008 Spence D18/4.6
 D569,866 S * 5/2008 Turpault D14/385
 D570,348 S * 6/2008 Turpault D14/385
 D577,357 S * 9/2008 Poandl D14/216
 D586,346 S * 2/2009 Robinson D14/383
 D591,291 S * 4/2009 Robinson D14/383
 D594,851 S * 6/2009 Dai D14/218
 D597,514 S * 8/2009 Gencarella D14/138 AC
 D619,117 S * 7/2010 Unruh D14/203.6
 D624,518 S * 9/2010 Li D14/138 AB

D630,313 S * 1/2011 Pidgeon D24/108
 D637,189 S * 5/2011 Hemming D14/385
 D671,118 S * 11/2012 Wesolek D14/385
 D675,616 S * 2/2013 Ahmed D14/385
 D688,965 S * 9/2013 Hutchins D10/104.1
 D701,860 S * 4/2014 Daniel D14/307
 D705,103 S * 5/2014 Leasure D10/101
 D708,339 S * 7/2014 McGarry D24/177
 D718,234 S * 11/2014 Rautiainen D13/108
 D720,289 S * 12/2014 Chiang D13/108
 D725,285 S * 3/2015 Wohlstadter D14/336
 D725,524 S * 3/2015 Takach D10/103
 D726,156 S * 4/2015 Gillespie-Brown D14/216
 D726,672 S * 4/2015 Olodort D14/138 G
 D735,131 S * 7/2015 Akana D13/108
 D738,246 S * 9/2015 McDonald D10/104.1
 D738,858 S * 9/2015 Tuhkanen D14/218
 D751,538 S * 3/2016 Koehler D14/240
 D752,588 S * 3/2016 Li D14/385
 D760,221 S * 6/2016 Maruyama D14/357
 D766,844 S * 9/2016 Turksu D10/104.1
 D768,631 S * 10/2016 Epstein D14/388
 D769,143 S * 10/2016 Warren D10/106.1
 D783,422 S * 4/2017 Kashimoto D10/50
 D784,259 S * 4/2017 Huang D13/108
 D785,527 S * 5/2017 Nathan D12/193
 D786,193 S * 5/2017 Akana D13/108
 D786,723 S * 5/2017 Christie D10/96
 D786,724 S * 5/2017 Seagle, Jr. D10/106.1
 D792,220 S * 7/2017 Simons D7/396.2
 D792,468 S * 7/2017 Langhammer D14/203.3
 D794,711 S * 8/2017 Lazar D20/10
 D796,355 S * 9/2017 Cho D10/70
 D796,433 S * 9/2017 Langhammer D13/108
 D804,306 S * 12/2017 Simons D9/454
 D807,867 S * 1/2018 Kato D14/240
 D808,958 S * 1/2018 Ha D14/341
 D815,149 S * 4/2018 Langhammer D14/496
 D820,238 S * 6/2018 Boshernitzan D14/218
 D820,318 S * 6/2018 Mullins D14/496
 D827,456 S * 9/2018 Seum D10/56
 D829,242 S * 9/2018 Laine D14/496
 D829,714 S * 10/2018 Robinson D14/356
 D830,858 S * 10/2018 Rogers D10/41
 D835,070 S * 12/2018 DePasquale D14/216
 D848,398 S * 5/2019 Huang D14/216
 D854,950 S * 7/2019 Seum D10/53
 D865,768 S * 11/2019 Du D14/434
 D865,859 S * 11/2019 Ben Avi D18/4.4
 2003/0132293 A1 * 7/2003 Fitch G06F 1/18
 235/383
 2016/0148457 A1 * 5/2016 Carrillo G07F 7/1033
 235/435

* cited by examiner

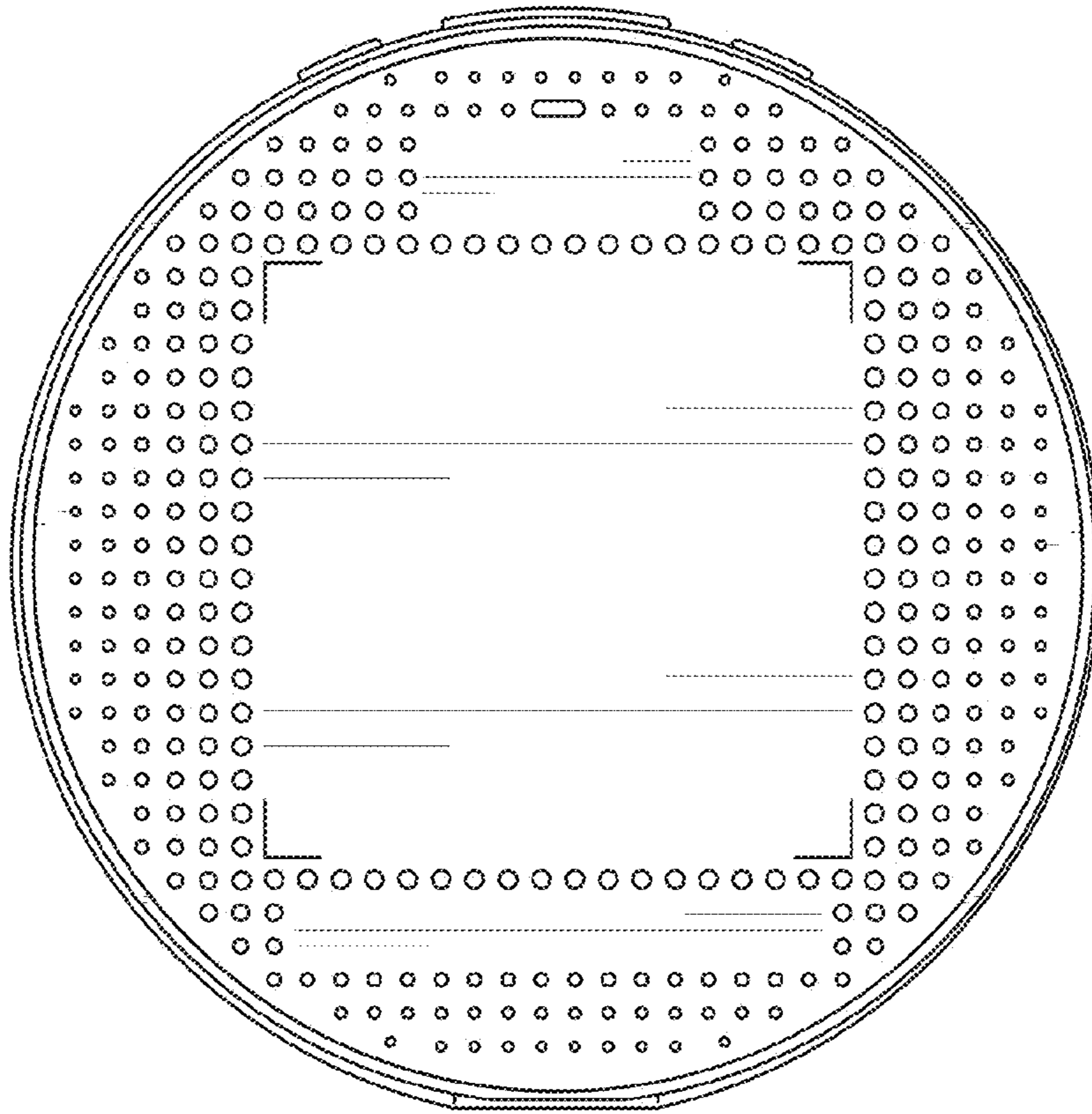


FIG. 1

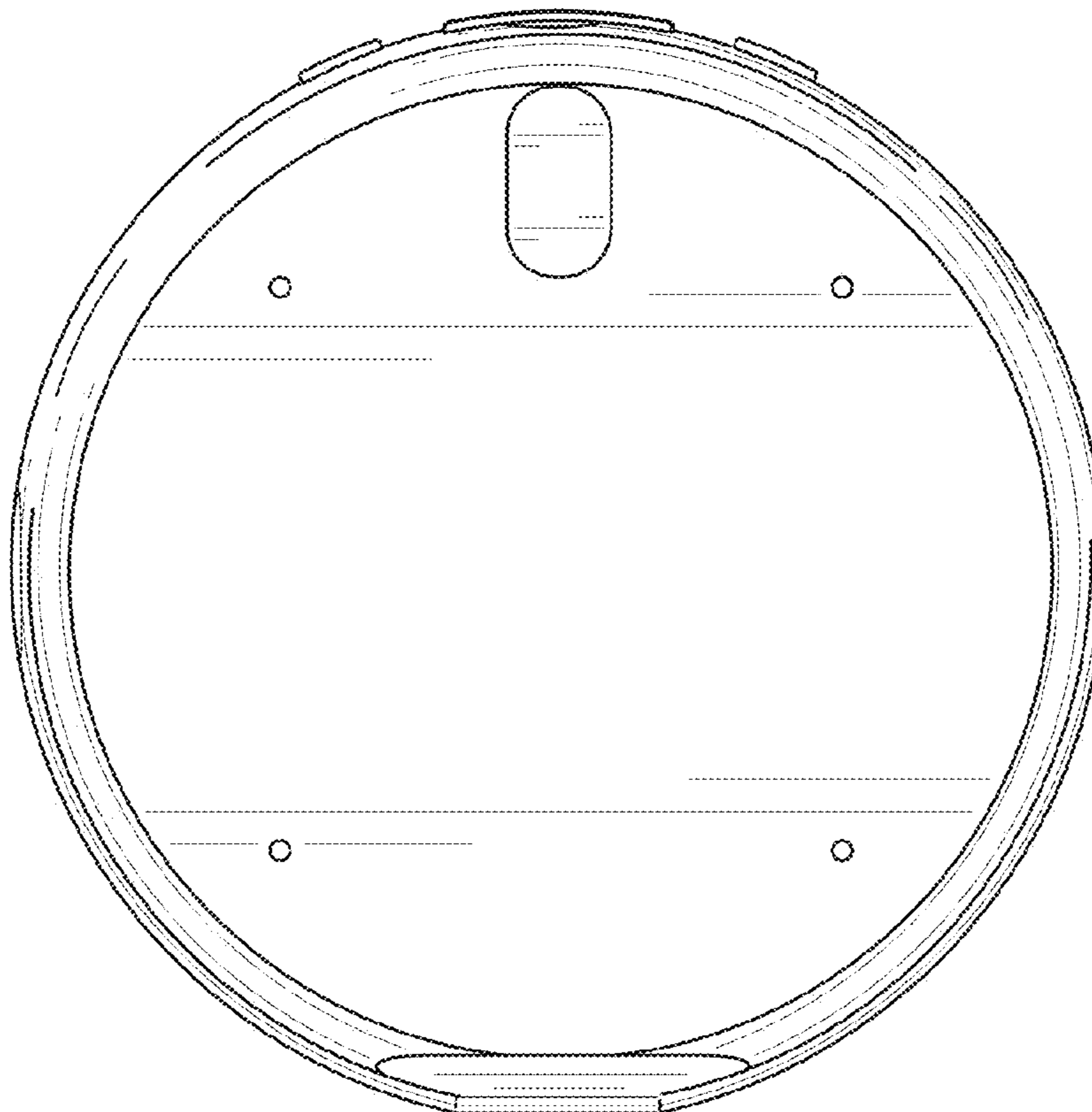


FIG. 2

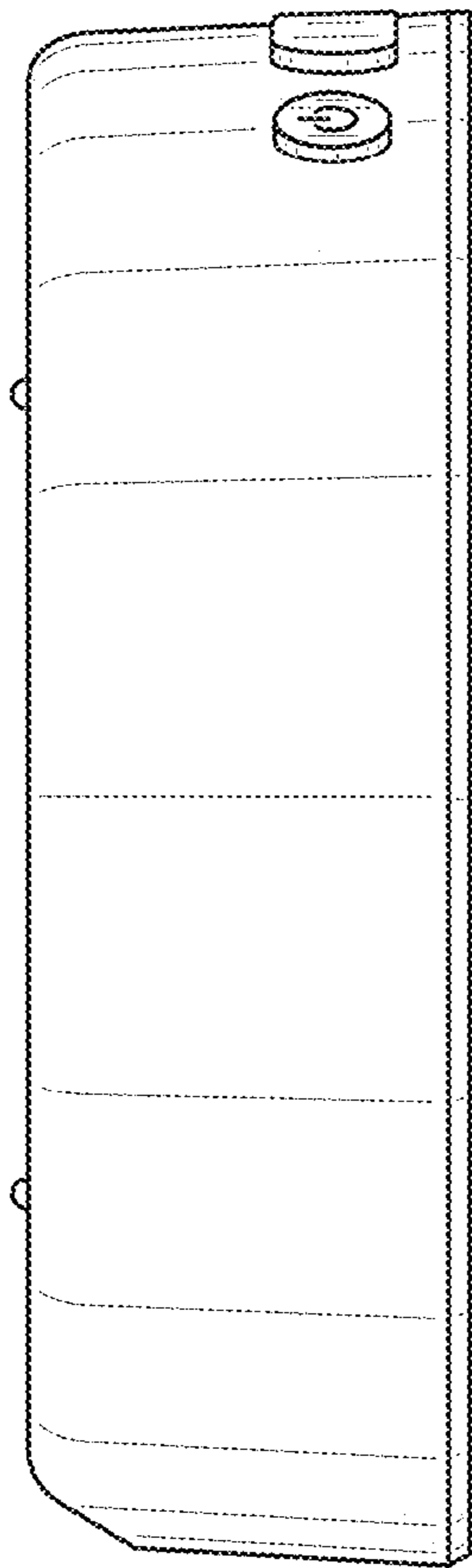


FIG. 3

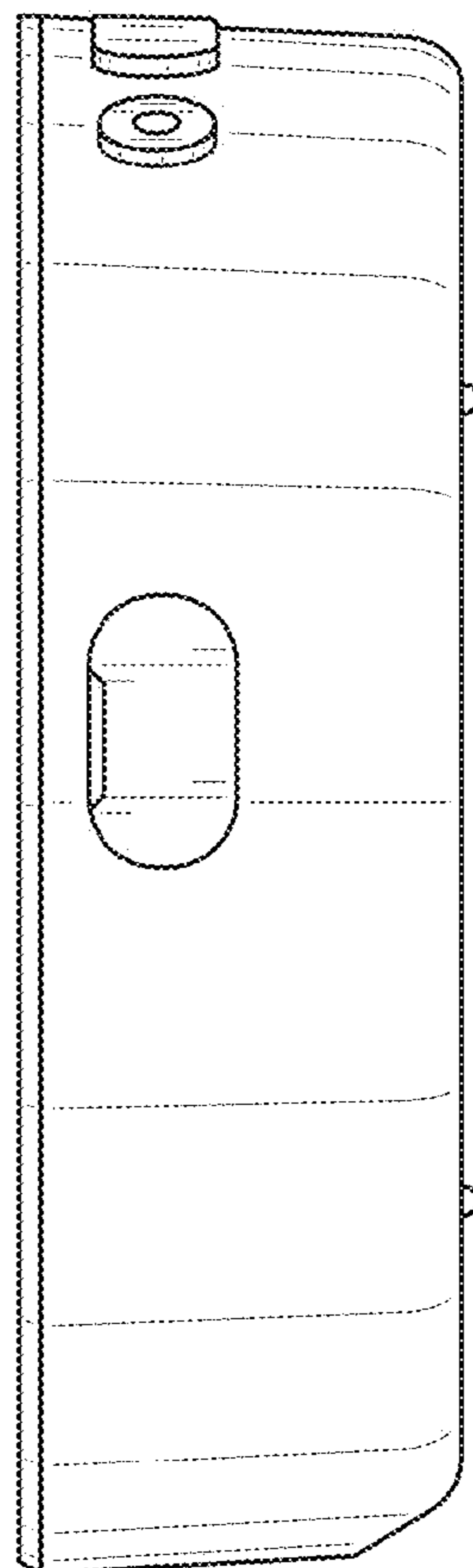


FIG. 4

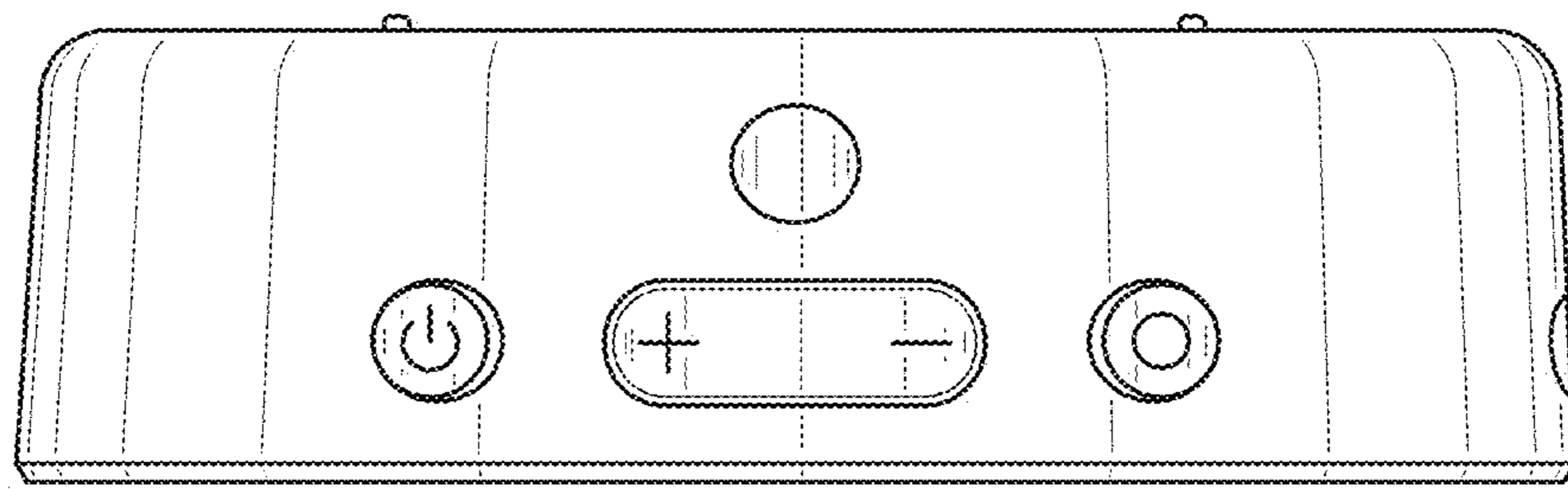


FIG. 5

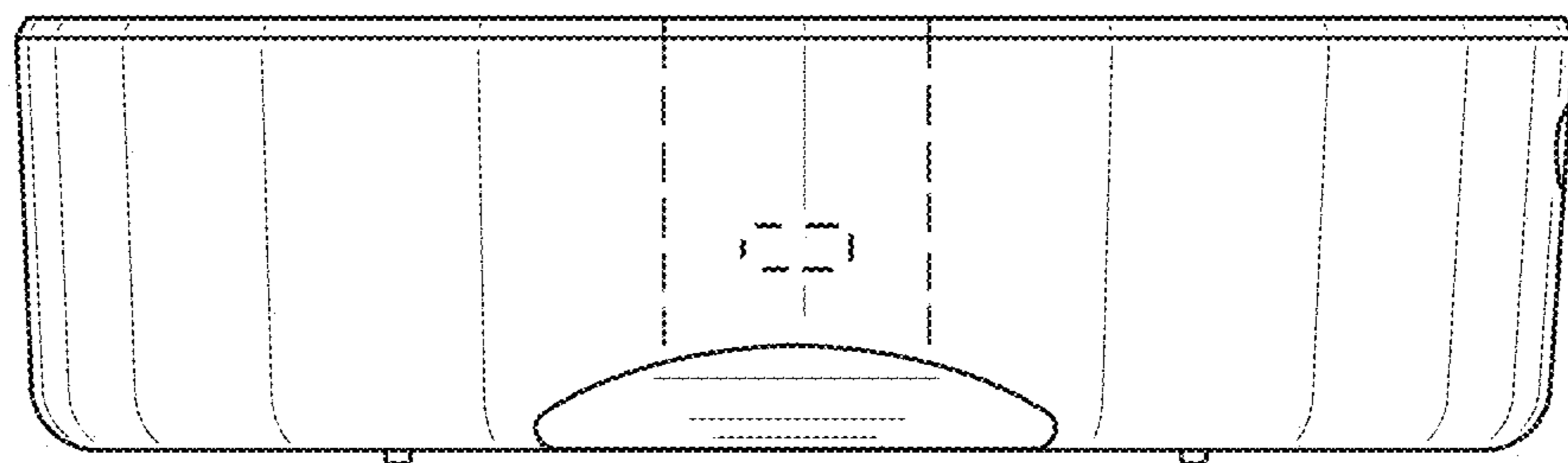


FIG. 6

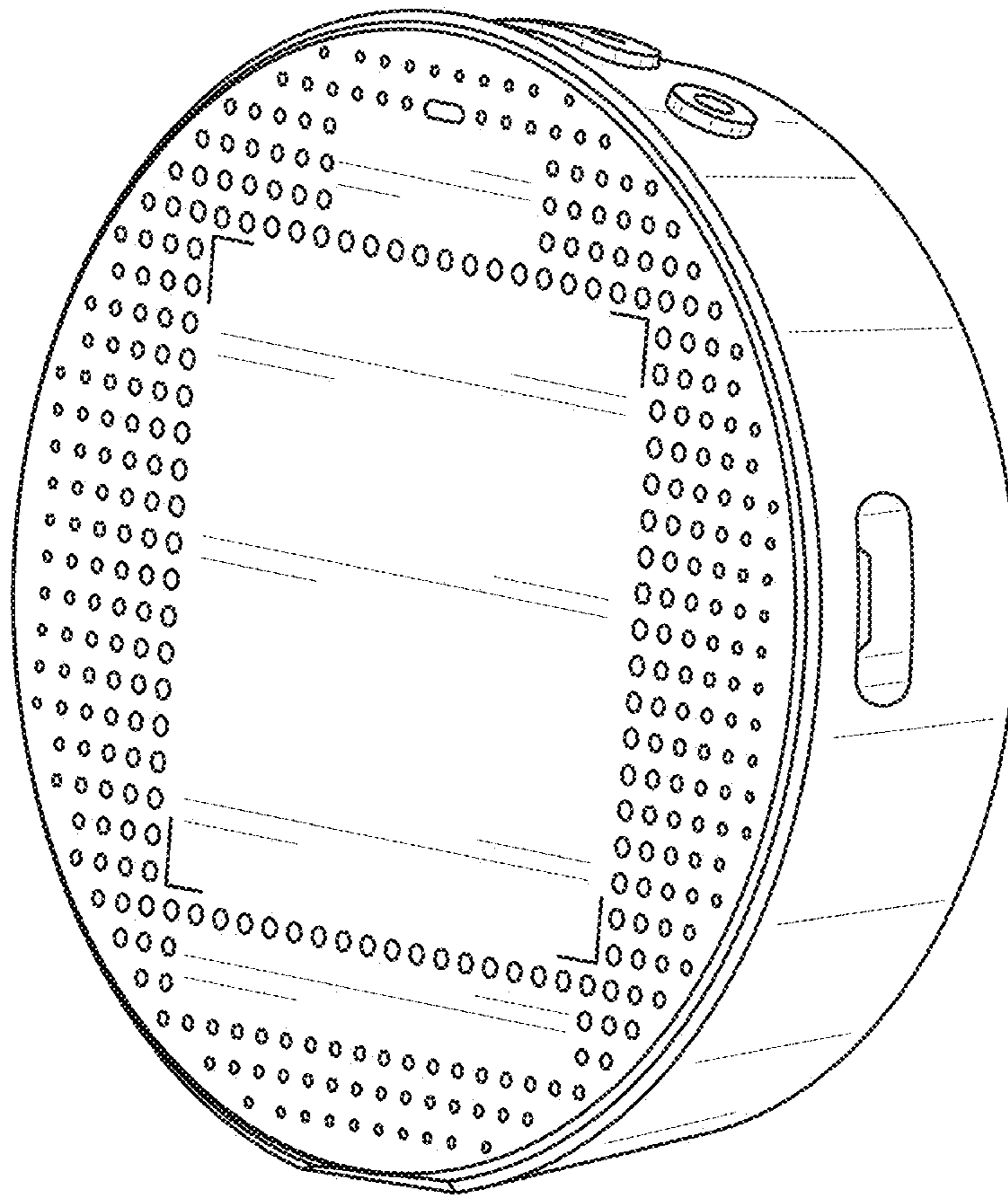


FIG. 7

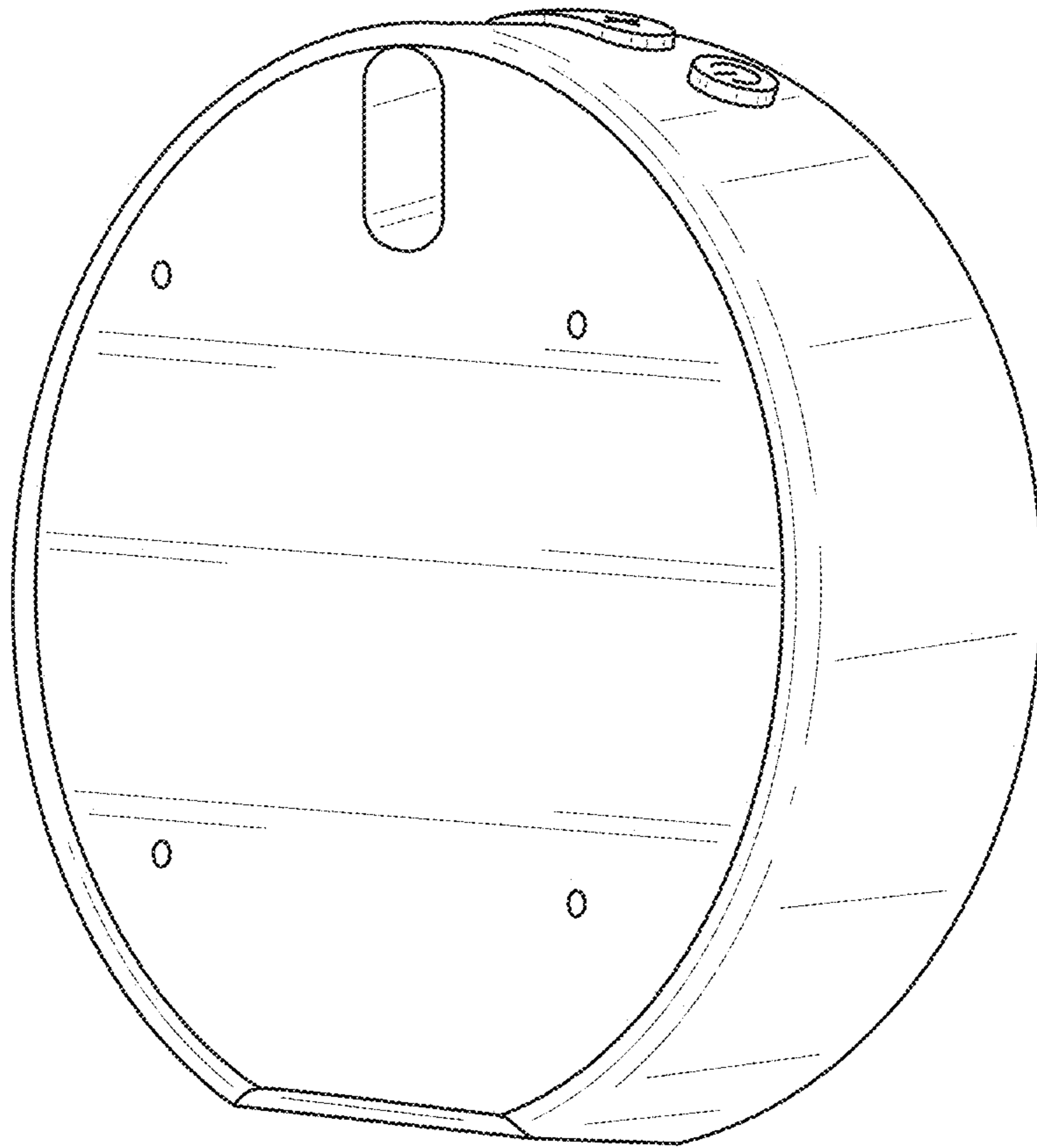


FIG. 8