



US00D886187S

(12) **United States Design Patent** (10) **Patent No.:** **US D886,187 S**  
**Bausback et al.** (45) **Date of Patent:** **\*\* Jun. 2, 2020**

(54) **BANKNOTE PROCESSING MACHINE**

G07D 11/009; G07D 11/0093; G07D 11/50; G07D

(71) Applicant: **GIESECKE+DEVRIENT CURRENCY TECHNOLOGY GMBH**, Munich (DE)

(Continued)

(72) Inventors: **Christiane Bausback**, Munich (DE); **Andreas Bergstraesser**, Alabaching (DE); **Romain Allemand**, Munich (DE); **Boris Innecken**, Munich (DE)

(56) **References Cited**

U.S. PATENT DOCUMENTS

D278,831 S \* 5/1985 Bressler ..... D10/97  
D279,577 S \* 7/1985 Kajita ..... D18/3.3  
(Continued)

FOREIGN PATENT DOCUMENTS

WO WO-2017215783 A1 \* 12/2017 ..... G07D 11/26

(73) Assignee: **GIESECKE+DEVRIENT CURRENCY TECHNOLOGY GMBH**, Munich (DE)

OTHER PUBLICATIONS

BPS\_C2\_Banknote\_Processing\_Systems. (online img) 1 pg. [Retrieved Jun. 24, 2019][https://res.cloudinary.com/gi-de/image/upload/w\\_1500,c\\_scale,f\\_auto,q\\_auto/prod\\_upload/CT/2\\_Solutions/2-4\\_Cash\\_Processing\\_Solutions/2-4-1\\_Banknote\\_Processing\\_Systems/2-4-1\\_BPS\\_C2/new-images/190204\\_Header\\_1440x526px\\_C2\\_Family\\_Header.jpg](https://res.cloudinary.com/gi-de/image/upload/w_1500,c_scale,f_auto,q_auto/prod_upload/CT/2_Solutions/2-4_Cash_Processing_Solutions/2-4-1_Banknote_Processing_Systems/2-4-1_BPS_C2/new-images/190204_Header_1440x526px_C2_Family_Header.jpg)\*

(\*\*) Term: **15 Years**

(Continued)

(21) Appl. No.: **29/631,955**

(22) Filed: **Jan. 4, 2018**

(30) **Foreign Application Priority Data**

Jul. 4, 2017 (EM) ..... 001 459 515 0001

(51) **LOC (12) Cl.** ..... **18-01**

(52) **U.S. Cl.**  
USPC ..... **D18/3.3**

(58) **Field of Classification Search**

USPC ... D18/3.3, 3.1, 3.2, 4.1, 4.4, 12, 12.1, 12.2, D18/12.3, 46, 47, 56, 59; D14/300, 301, D14/302, 303, 307, 308, 348, 349, 432, D14/439, 441, 448, 449, 462, 469, 471, D14/900, 901, 902; D10/96, 97; D99/28, 34, 35, 43, 99; D19/65, 86, 100, D19/95, 99; D20/1, 8, 9; D15/122  
CPC ..... G07G 1/00; G07G 1/0009; G07G 1/0036; G07G 1/10; G07G 1/12; G07D 7/00; G07D 7/04; G07D 9/008; G07D 11/00;

*Primary Examiner* — Marie D. Fast Horse

(74) *Attorney, Agent, or Firm* — Workman Nydegger

(57) **CLAIM**

The ornamental design for a banknote processing machine, as shown and described.

**DESCRIPTION**

FIG. 1 is a perspective view of a banknote processing machine.  
FIG. 2 is a front elevational view of the banknote processing machine of FIG. 1.  
FIG. 3 is a first side elevational view of the banknote processing machine of FIG. 1.  
FIG. 4 is a second side elevational view of the banknote processing machine of FIG. 1.  
FIG. 5 is a rear elevational view of the banknote processing machine of FIG. 1; and,

(Continued)

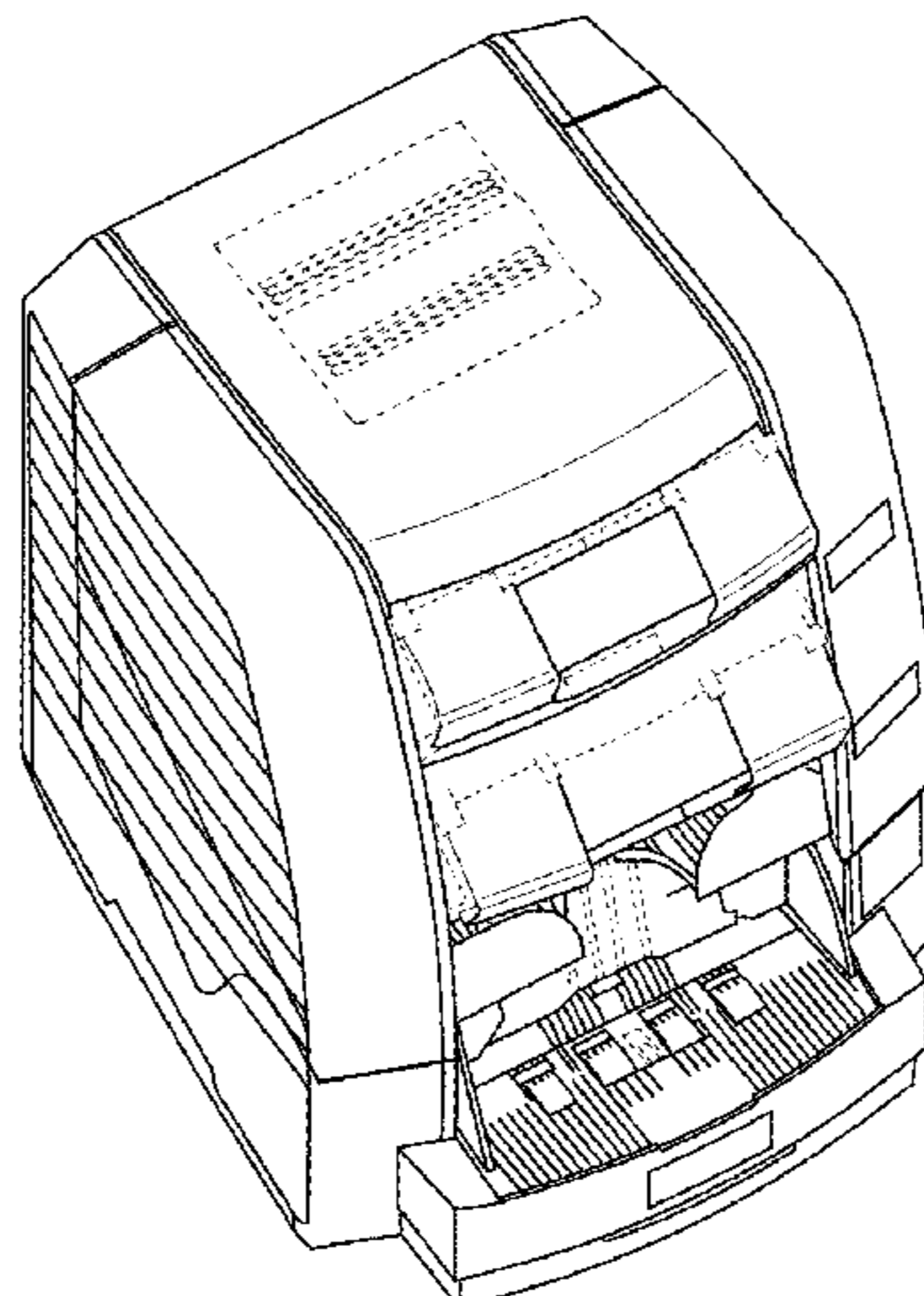


FIG. 6 is a top plan view according to the banknote processing machine of FIG. 1.

The broken lines in the drawings depict portions of the banknote processing machine that form no part of the claim.

**1 Claim, 3 Drawing Sheets**

(58) **Field of Classification Search**

CPC . 2207/00; G07D 2211/00; G07F 19/20; G07F 19/205

See application file for complete search history.

(56) **References Cited**

U.S. PATENT DOCUMENTS

D279,790	S *	7/1985	Kajita .....	D18/3.3
4,694,963	A *	9/1987	Takesako .....	G07D 11/50 209/534
D295,109	S *	4/1988	Nishida .....	D18/3.3
D295,569	S *	5/1988	Nishida .....	D18/3.3
D320,806	S *	10/1991	Inoue .....	D18/3.3
D338,905	S *	8/1993	Helgeson .....	D18/3.3
D369,923	S *	5/1996	Crane, Jr. ....	D14/302
D377,766	S *	2/1997	Hidaka .....	D18/3.3
D427,623	S *	7/2000	Kuwada .....	D18/3.1
D435,587	S *	12/2000	Suzuki .....	D18/48
D438,556	S *	3/2001	Kato .....	D18/3.3
D439,604	S *	3/2001	Takagi .....	D18/3.3
6,278,795	B1 *	8/2001	Anderson .....	G07D 11/50 382/135
D452,973	S *	1/2002	Kuwada .....	D18/3.3
D455,777	S *	4/2002	Beckstrom .....	D15/145
6,540,090	B1 *	4/2003	Sakai .....	G07D 11/50 209/534
6,578,713	B1 *	6/2003	Matsuura .....	G07D 11/50 209/534
D477,349	S *	7/2003	Osada .....	D18/3.1
6,772,886	B2 *	8/2004	Werner .....	G07D 11/50 209/534
6,782,987	B1 *	8/2004	Abe .....	G07D 11/50 194/207
D517,115	S *	3/2006	Kuwada .....	D18/3.3

D562,377	S *	2/2008	Kuroda .....	D18/3.1
D582,471	S *	12/2008	Stoddart .....	D18/46
D590,870	S *	4/2009	Kuwada .....	D18/3.1
D623,220	S *	9/2010	Kim .....	D18/46
8,074,806	B2 *	12/2011	Ozaki .....	G07D 11/50 209/534
D657,815	S *	4/2012	Iwakami .....	D18/3.3
D676,343	S *	2/2013	Shih .....	D10/97
D676,344	S *	2/2013	Shih .....	D10/97
D677,593	S *	3/2013	Shih .....	D10/97
D686,273	S *	7/2013	Kurokawa .....	D18/3.3
8,515,573	B2 *	8/2013	Morino .....	G07D 11/50 700/223
8,746,695	B2 *	6/2014	Jang .....	G07D 11/50 271/264
D735,253	S *	7/2015	Bausback .....	D15/122
D767,668	S *	9/2016	van Slooten .....	D18/3.3
D850,524	S *	6/2019	Oba .....	D18/3.3
D855,103	S *	7/2019	van Slooten .....	D18/3.3
2004/0182675	A1 *	9/2004	Long .....	G07D 11/50 194/206
2005/0029168	A1 *	2/2005	Jones .....	G07D 11/50 209/534
2005/0045448	A1 *	3/2005	Sugano .....	G07D 11/50 194/207
2005/0183928	A1 *	8/2005	Jones .....	G07D 11/50 194/207
2012/0002218	A1 *	1/2012	Matsuura .....	G07D 11/50 358/1.6
2013/0113159	A1 *	5/2013	Jang .....	G07D 11/50 271/264
2016/0063794	A1 *	3/2016	Sato .....	G07D 11/50 194/206
2017/0206732	A1 *	7/2017	Mizushima .....	G07D 11/50
2018/0108202	A1 *	4/2018	Kim .....	G07D 11/50

OTHER PUBLICATIONS

Money counting machines. (Design—© Questel) orbit.com. [online PDF] 91 pgs. Print Dates range Jun. 14, 2010 through Apr. 9, 2019. [Retrieved on Jun. 27, 2019] <https://sobjprd.questel.fr/export/QPTUJ214/pdf2/94a3020e-f089-4079-b33d-a26ca8475248-200355.pdf>.\*

\* cited by examiner

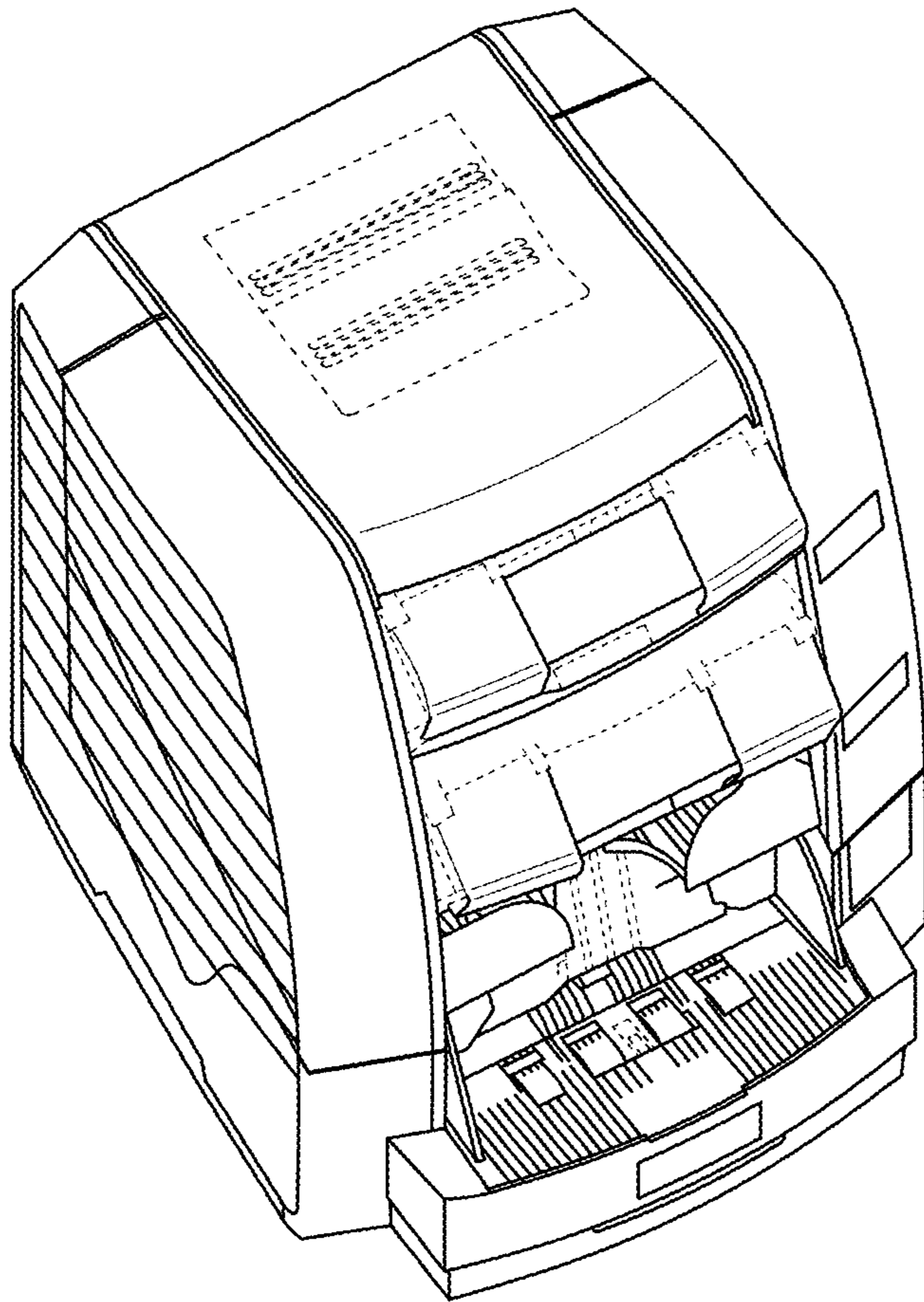


FIG. 1

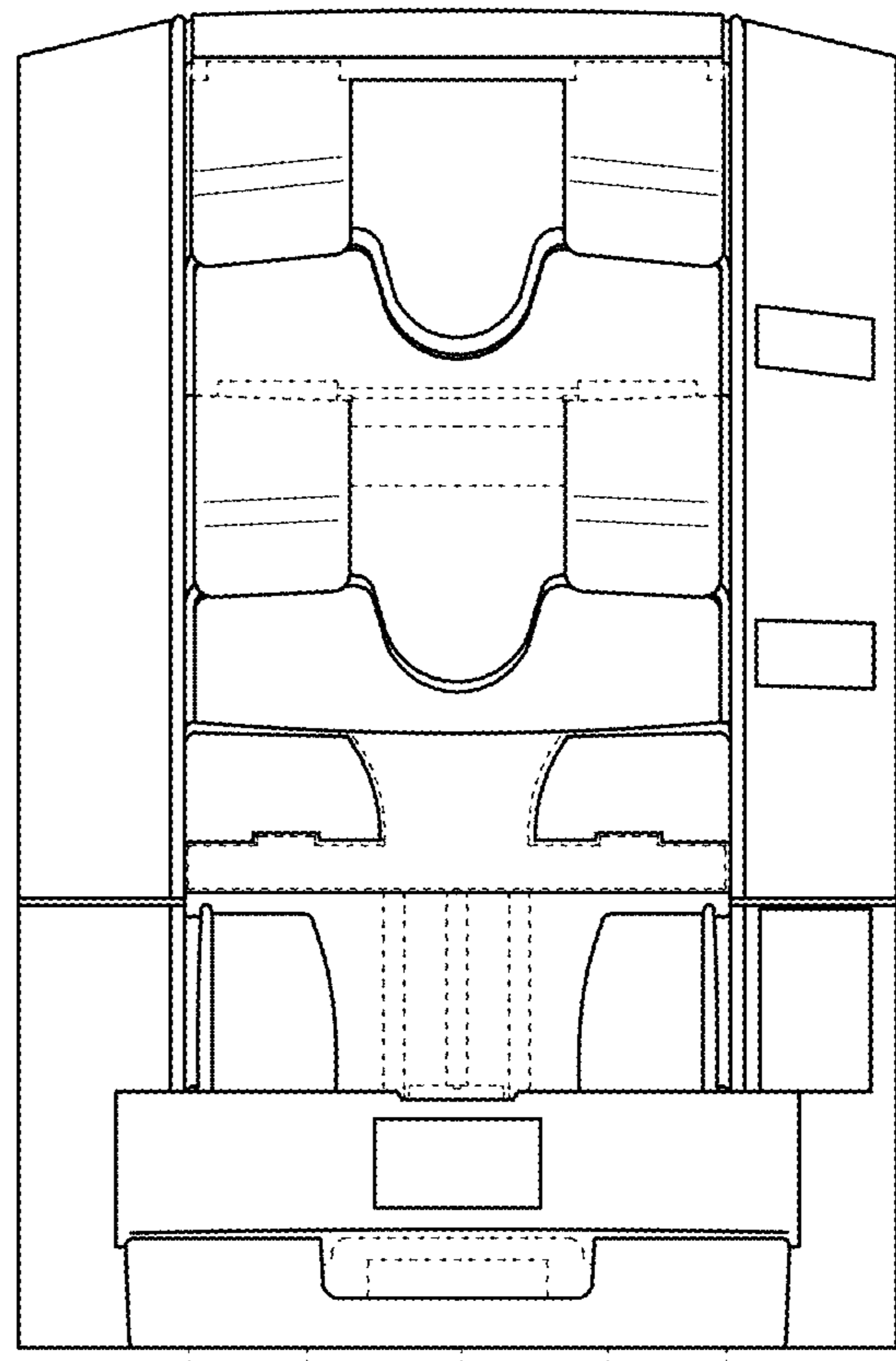


FIG. 2

FIG. 3

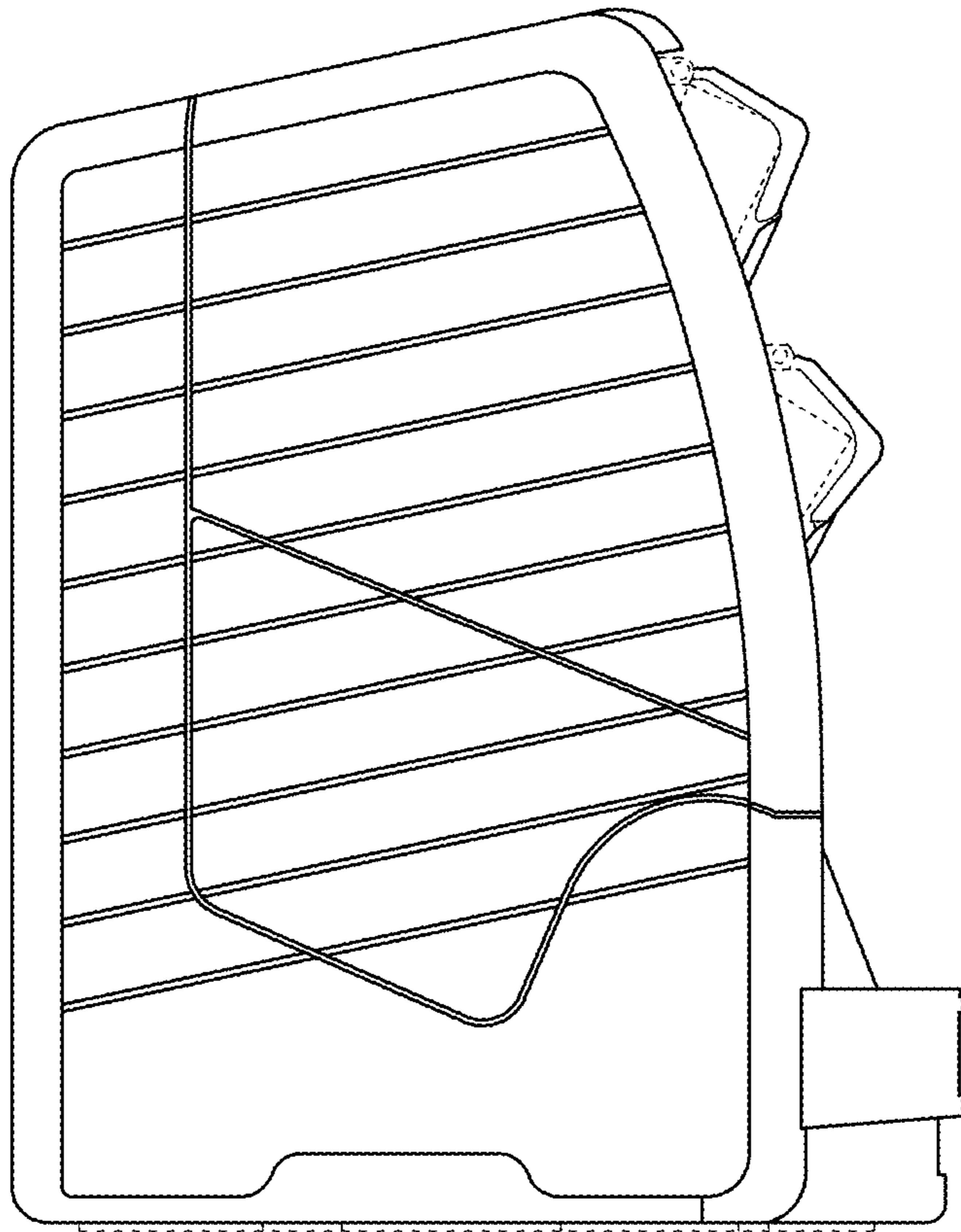


FIG. 4

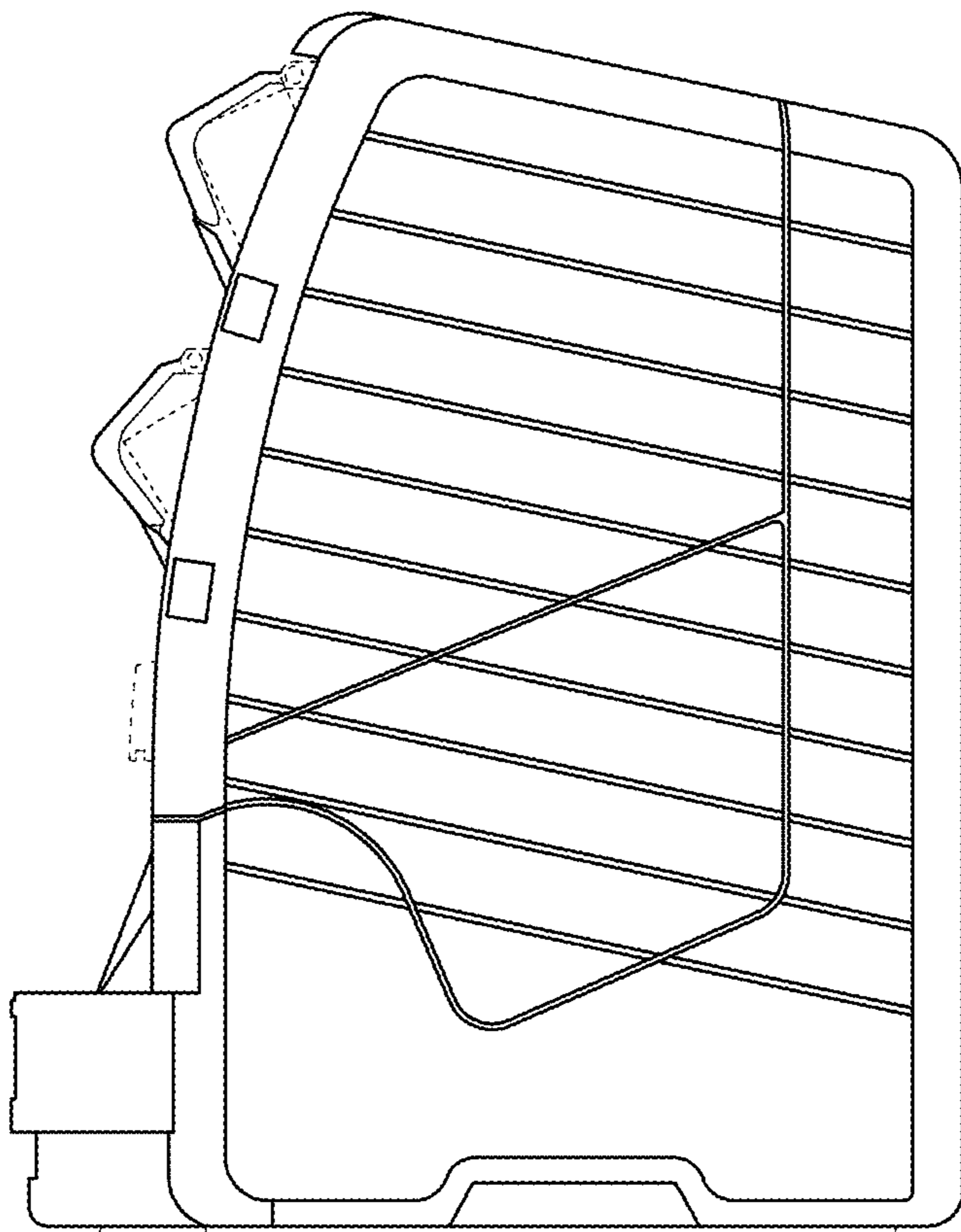


FIG. 5

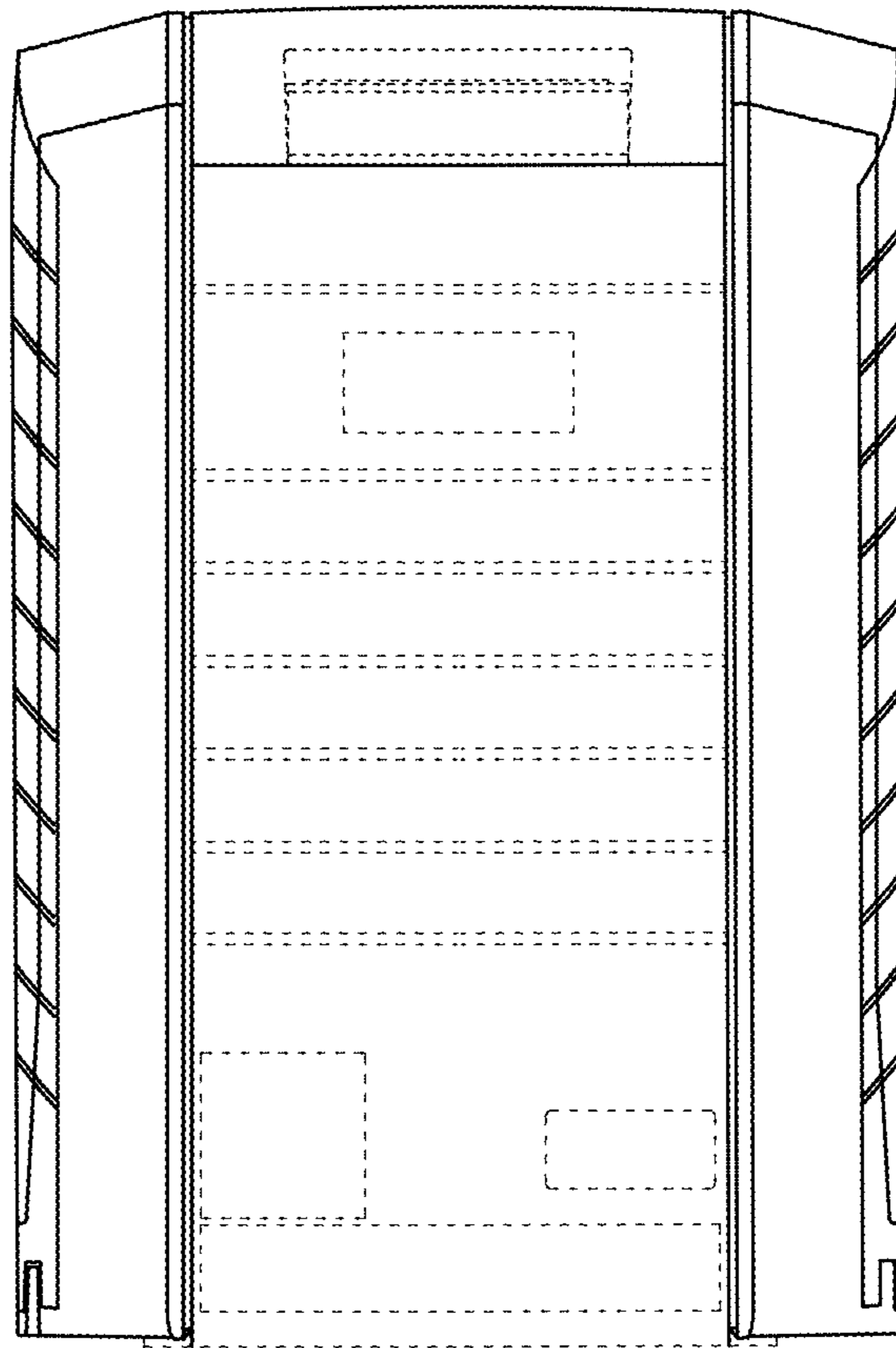


FIG. 6

