



US00D886185S

(12) **United States Design Patent**
Guillobez et al.

(10) **Patent No.:** **US D886,185 S**
(45) **Date of Patent:** **** Jun. 2, 2020**

(54) **FACE SHIELD**

(71) Applicant: **BOLLE INC.**, Overland Park, KS (US)

(72) Inventors: **Damien Guillobez**, Villeurbanne (FR);
David Gafsou, Villeurbanne (FR);
Ludovic de Sereys, Villeurbanne (FR)

(**) Term: **15 Years**

(21) Appl. No.: **29/662,217**

(22) Filed: **Sep. 4, 2018**

(51) **LOC (12) Cl.** **16-06**

(52) **U.S. Cl.**
USPC **D16/312**

(58) **Field of Classification Search**
USPC D29/105-107, 110, 122;
D24/110.1-110.3; D16/312-314
See application file for complete search history.

(56) **References Cited**

U.S. PATENT DOCUMENTS

D242,666 S * 12/1976 Smith D16/312
4,455,689 A * 6/1984 Boyer A61F 9/025
2/434

D342,810 S * 12/1993 Berenson D16/312
D391,284 S * 2/1998 Hermansen D16/312
D401,958 S * 12/1998 Berke D16/312
D599,394 S * 9/2009 Dondero D16/312
D704,249 S * 5/2014 Orzeck D16/312
D762,763 S * 8/2016 Balachandreswaran D16/312

* cited by examiner

Primary Examiner — Robert A Delehanty

(74) *Attorney, Agent, or Firm* — Seyfarth Shaw LLP;
Brian Michaelis

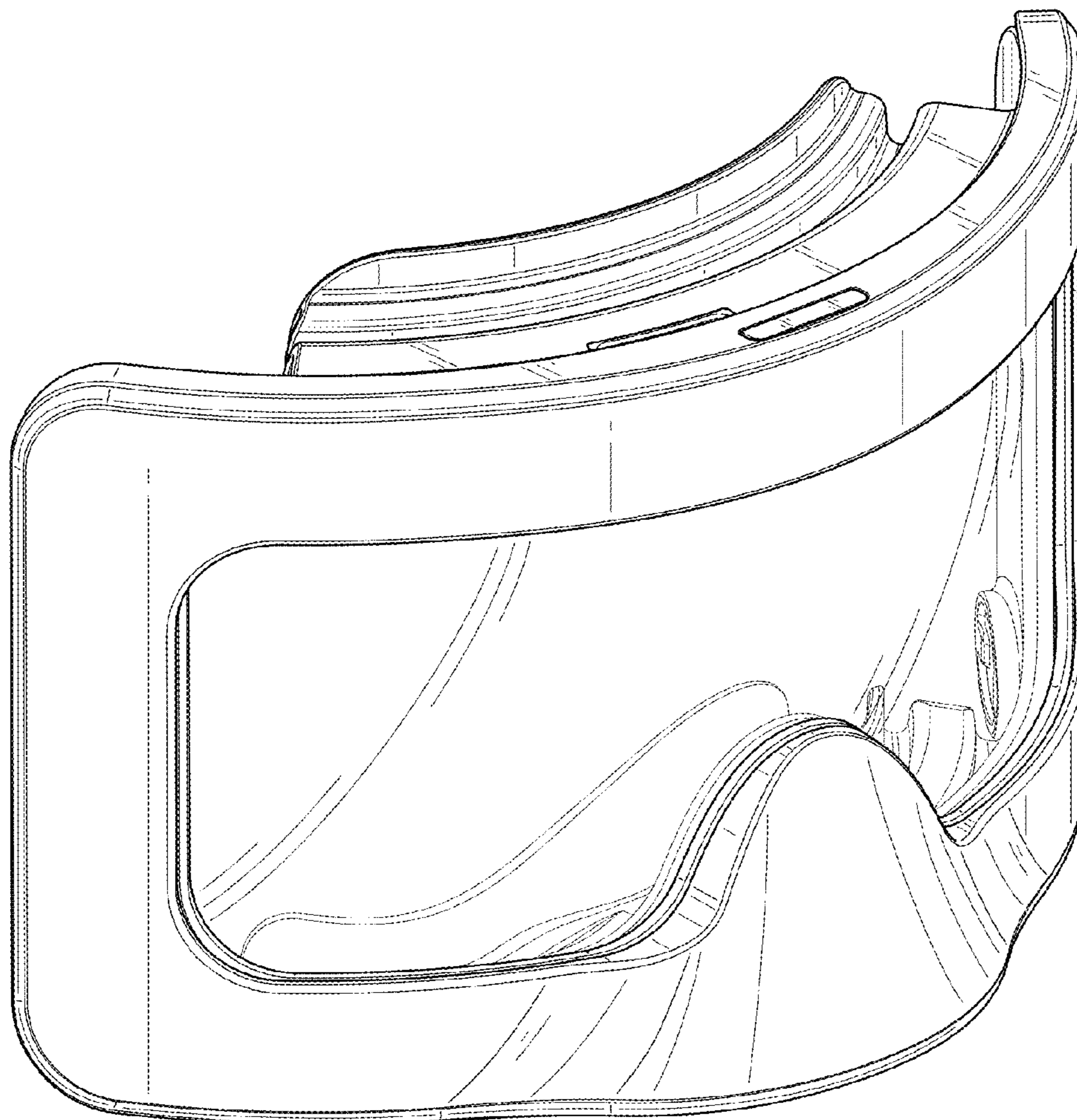
(57) **CLAIM**

The ornamental design for a face shield, as shown and described.

DESCRIPTION

FIG. 1 shows a perspective view of a face shield;
FIG. 2 shows a front plan view thereof;
FIG. 3 shows a rear plan view thereof;
FIG. 4 shows a right side view thereof;
FIG. 5 shows a left side view thereof;
FIG. 6 shows a top view thereof; and,
FIG. 7 shows a bottom view thereof.

1 Claim, 7 Drawing Sheets



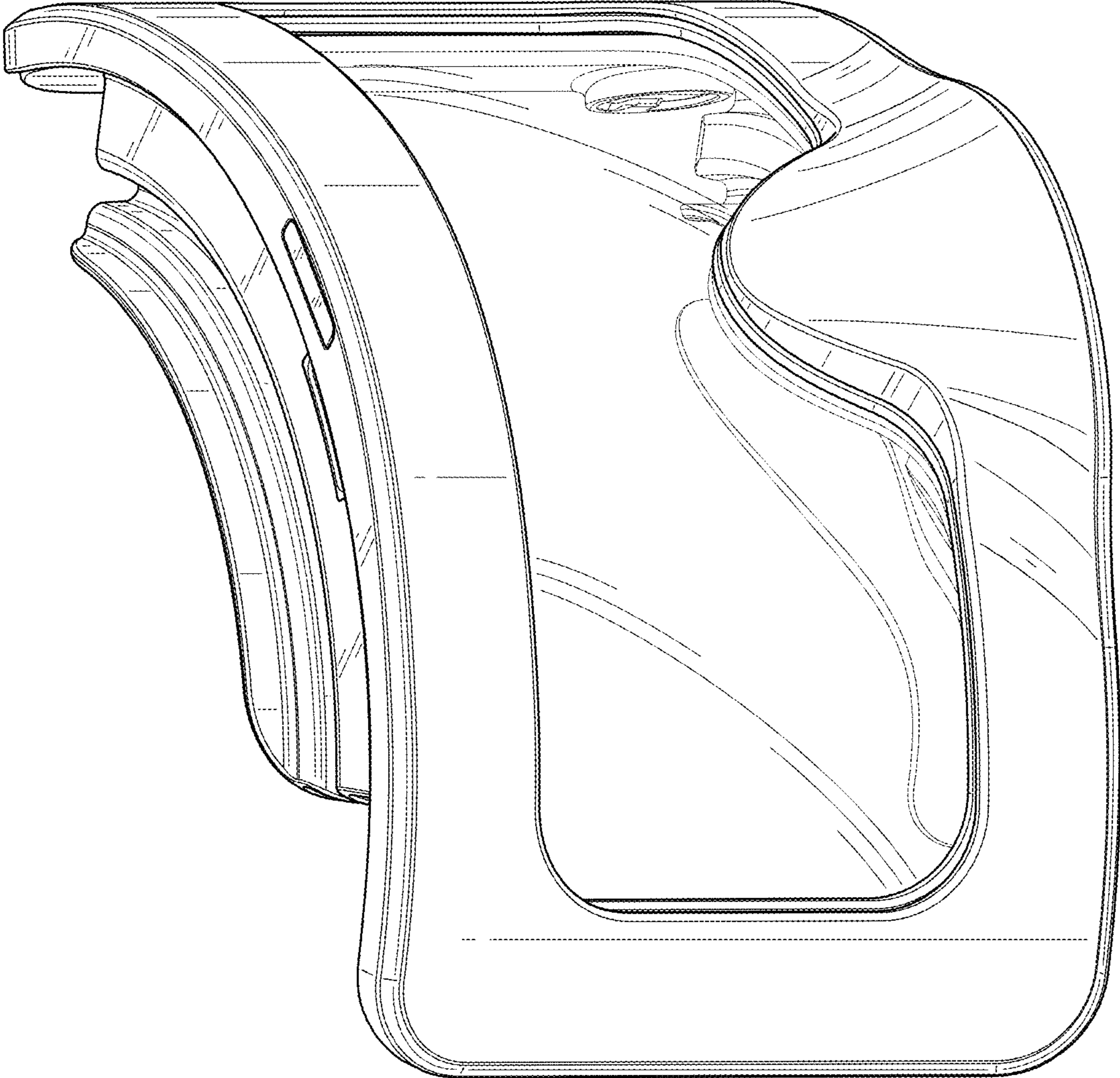


FIG. 1

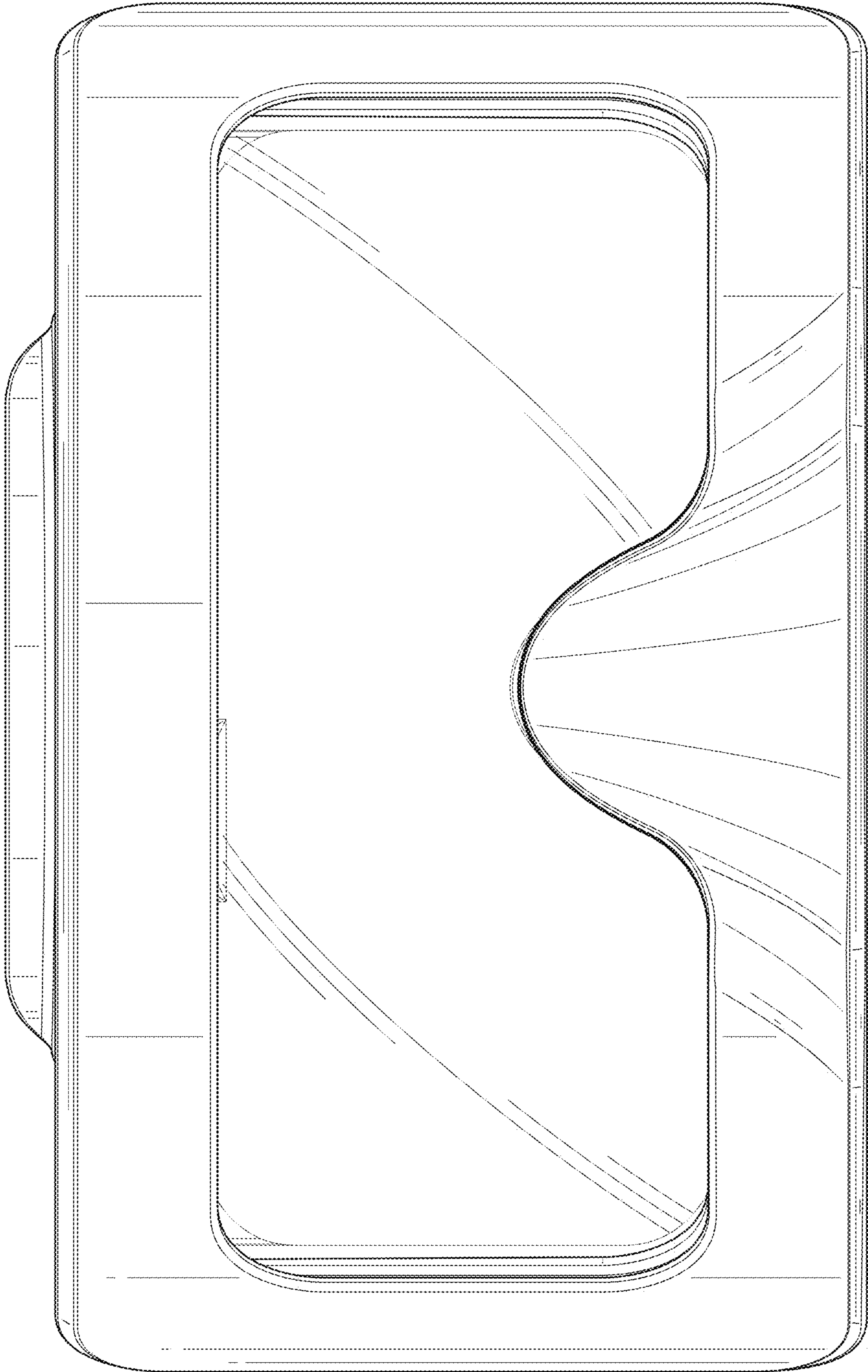


FIG. 2

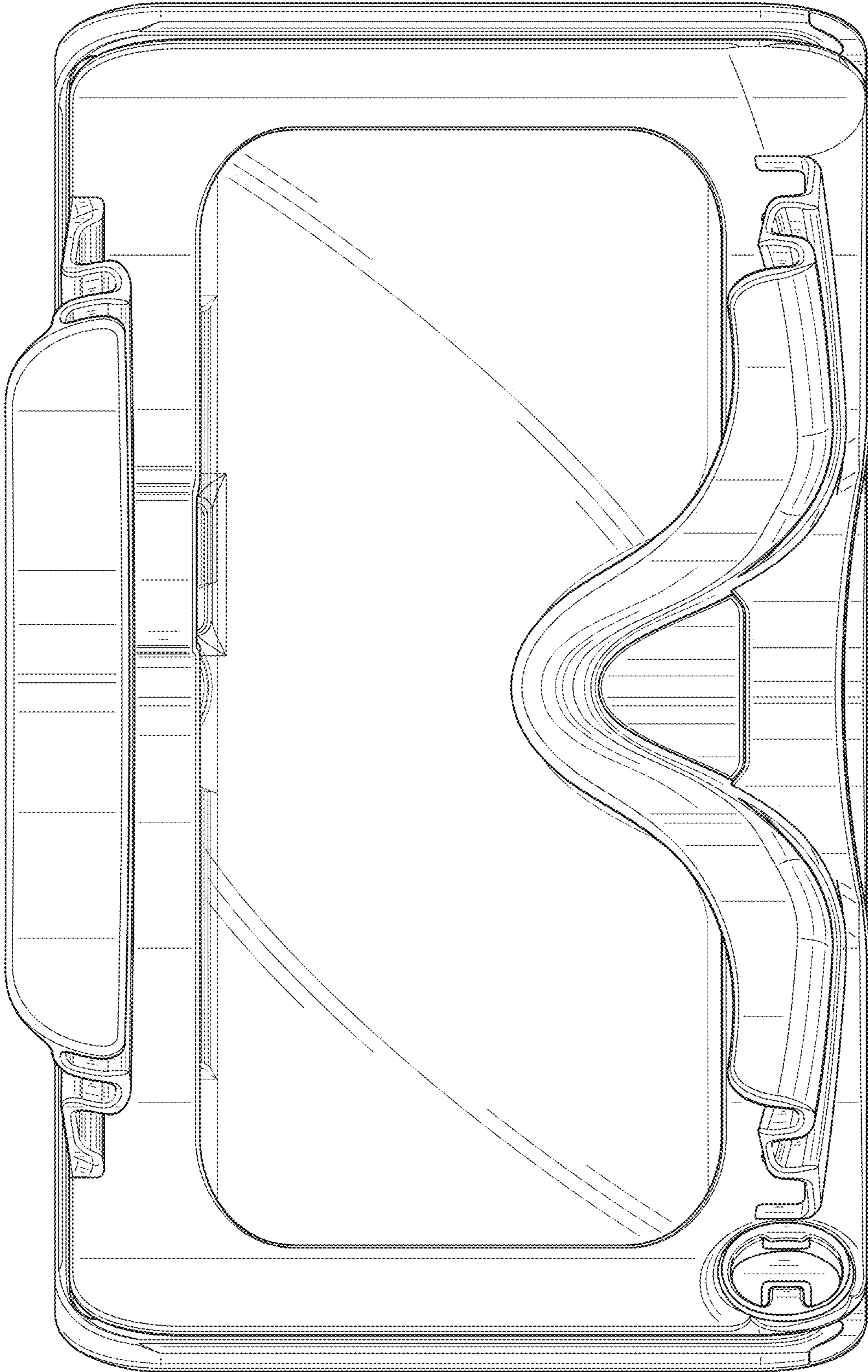


FIG. 3

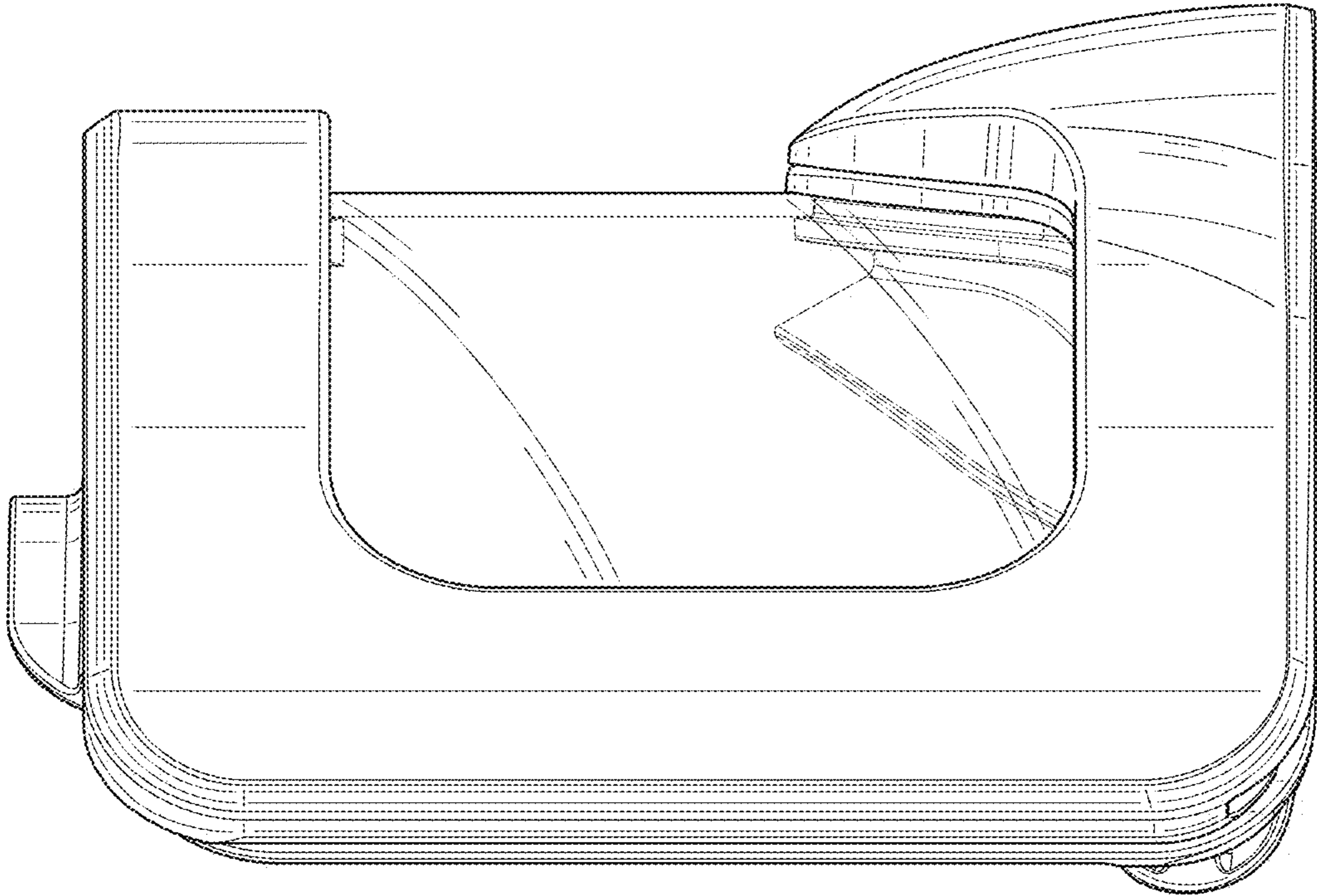


FIG. 4

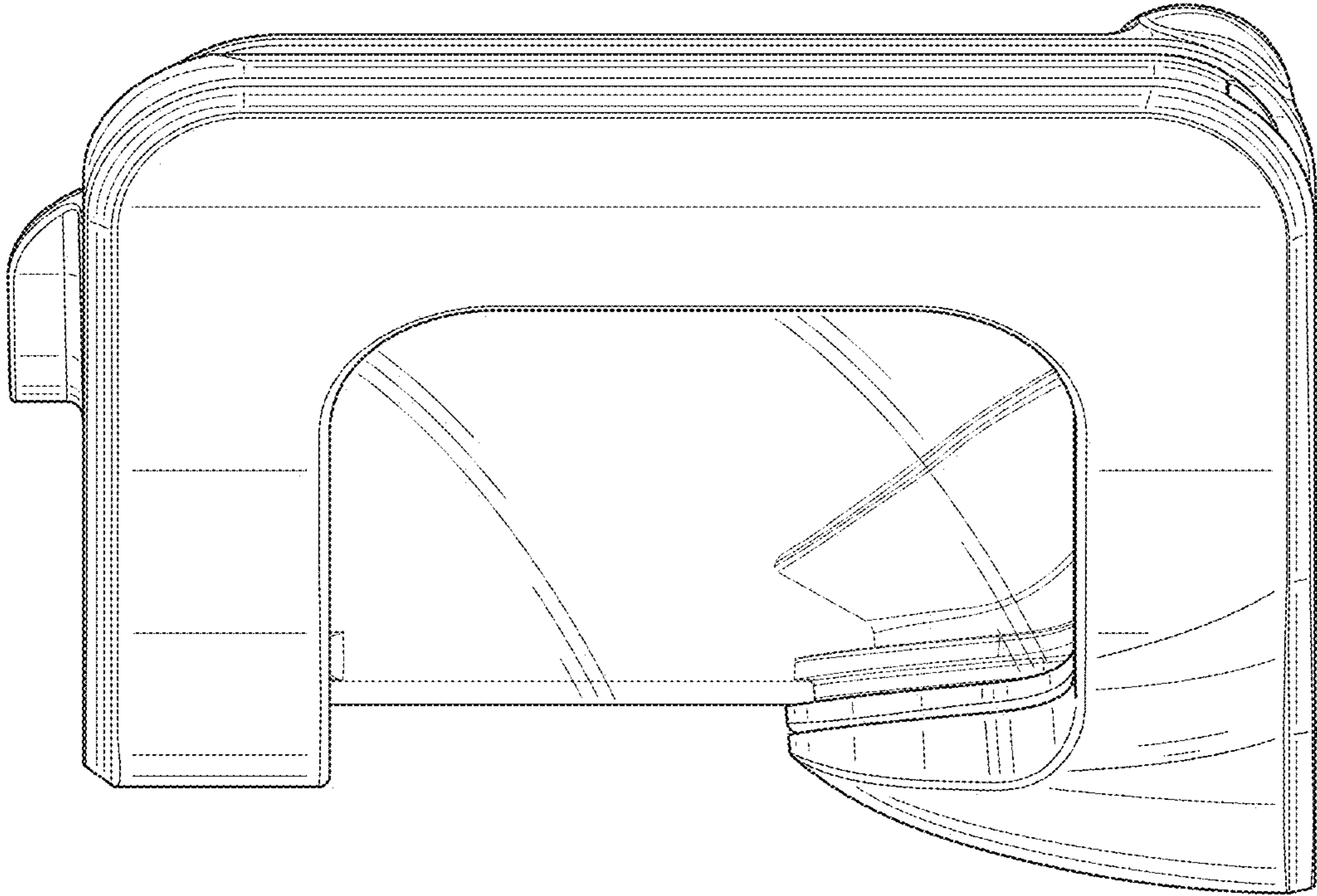


FIG. 5

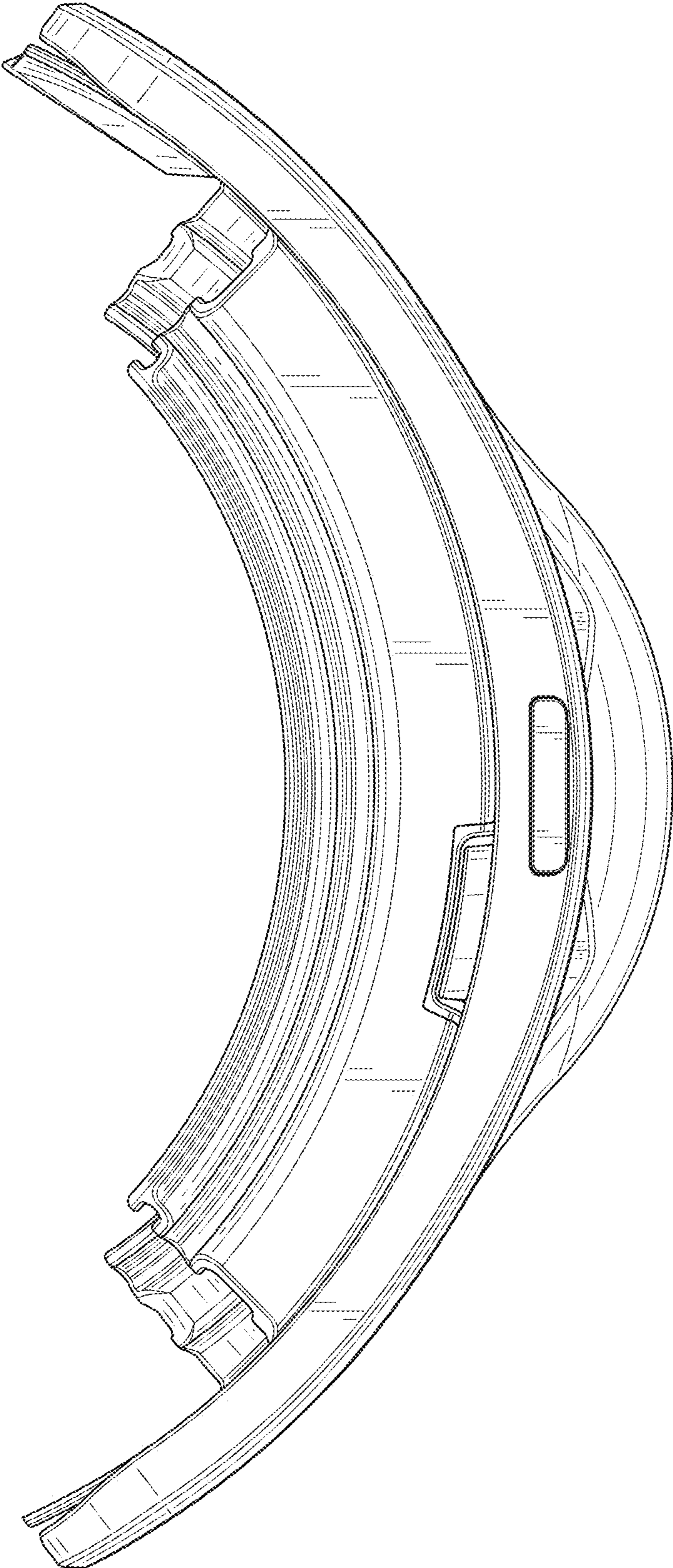


FIG. 6

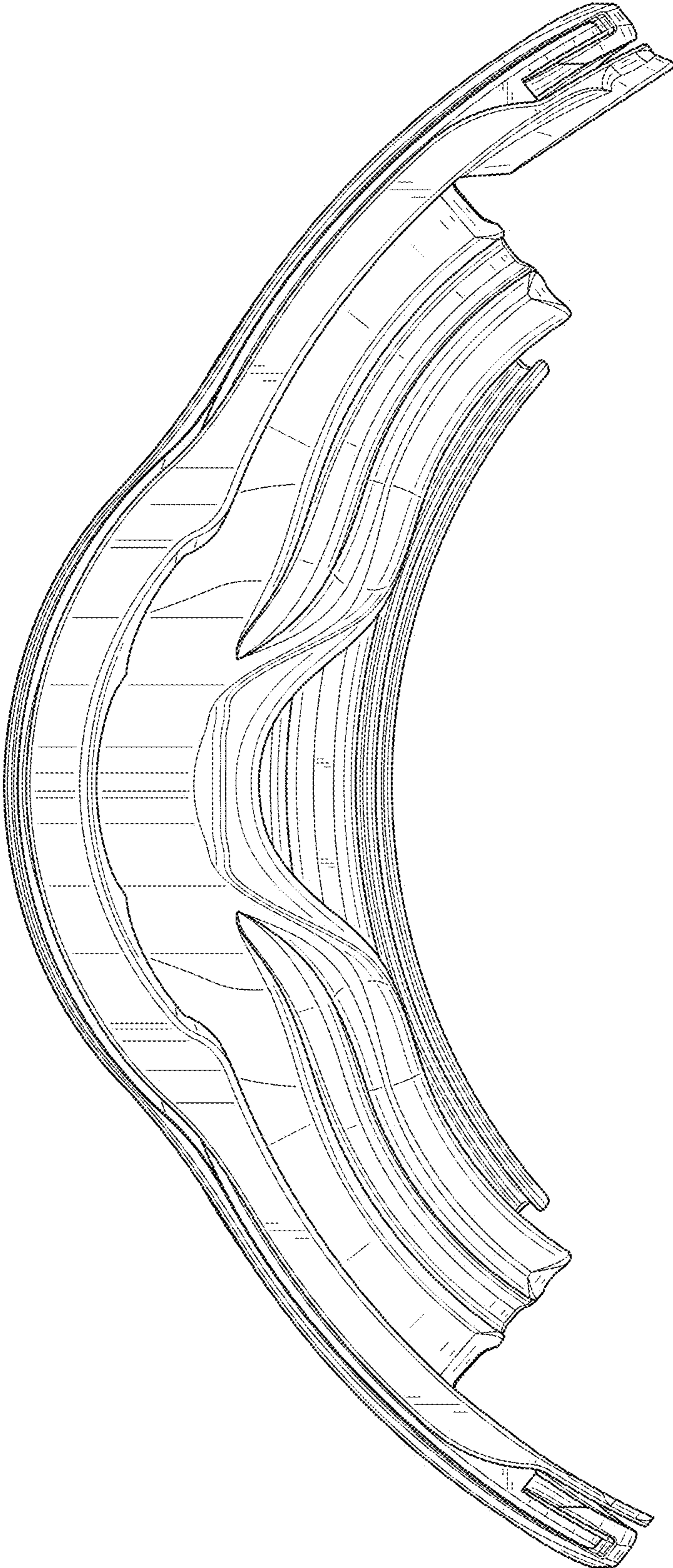


FIG. 7