



US00D886182S

(12) **United States Design Patent**
Chen

(10) **Patent No.:** **US D886,182 S**

(45) **Date of Patent:** **** Jun. 2, 2020**

(54) **FLASHLAMP FOR PHOTOGRAPHY**

(71) Applicant: **Qingyuan Chen, Yueqing (CN)**

(72) Inventor: **Qingyuan Chen, Yueqing (CN)**

(**) Term: **15 Years**

(21) Appl. No.: **29/673,588**

(22) Filed: **Dec. 17, 2018**

(30) **Foreign Application Priority Data**

Jun. 29, 2018 (CN) 2018 3 0342231

(51) **LOC (12) Cl.** **16-05**

(52) **U.S. Cl.**
USPC **D16/239**

(58) **Field of Classification Search**
USPC D16/208-209, 219, 237-250; D8/354,
D8/355, 363, 373, 382-383, 394-396;
D14/224, 229, 238, 251, 253, 447, 451,
D14/457

CPC F16M 11/06-10; F16M 11/14; G02B
7/00-002; G03B 17/56; G03B
17/561-568; H04N 5/2253-2254

See application file for complete search history.

(56) **References Cited**

U.S. PATENT DOCUMENTS

D201,913 S * 8/1965 Raymond D10/98
D585,927 S * 2/2009 Sheard D16/206

D605,796 S * 12/2009 Crawford D26/45
8,102,424 B2 * 1/2012 Sheard H04N 5/2252
348/164
D707,744 S * 6/2014 Shimizu D16/206
9,264,599 B2 * 2/2016 Reid F16M 11/00
D757,838 S * 5/2016 Laho D16/206
D780,245 S * 2/2017 Ruback D16/206
D788,341 S * 5/2017 Inskeep D26/45
D791,624 S * 7/2017 Wong D10/57
D805,571 S * 12/2017 Hogstedt D16/206
D805,572 S * 12/2017 Hogstedt D16/206
D819,115 S * 5/2018 Nohara D16/239
10,146,103 B2 * 12/2018 Dunne G01S 17/023
2014/0002668 A1 * 1/2014 Nguyen G01J 5/0205
348/164

* cited by examiner

Primary Examiner — Vy N Koenig
(74) *Attorney, Agent, or Firm* — PROI Intellectual
Property US; Klaus Michael Schmid

(57) **CLAIM**

The ornamental design for a flashlamp for photography, as shown and described.

DESCRIPTION

FIG. 1 is a rear perspective view of a flashlamp for photography showing my new design;
FIG. 2 is a rear view thereof;
FIG. 3 is a front view thereof;
FIG. 4 is a top view thereof;
FIG. 5 is a bottom view thereof;
FIG. 6 is a right side view thereof; and,
FIG. 7 is a left side view thereof.

1 Claim, 7 Drawing Sheets





FIG. 1

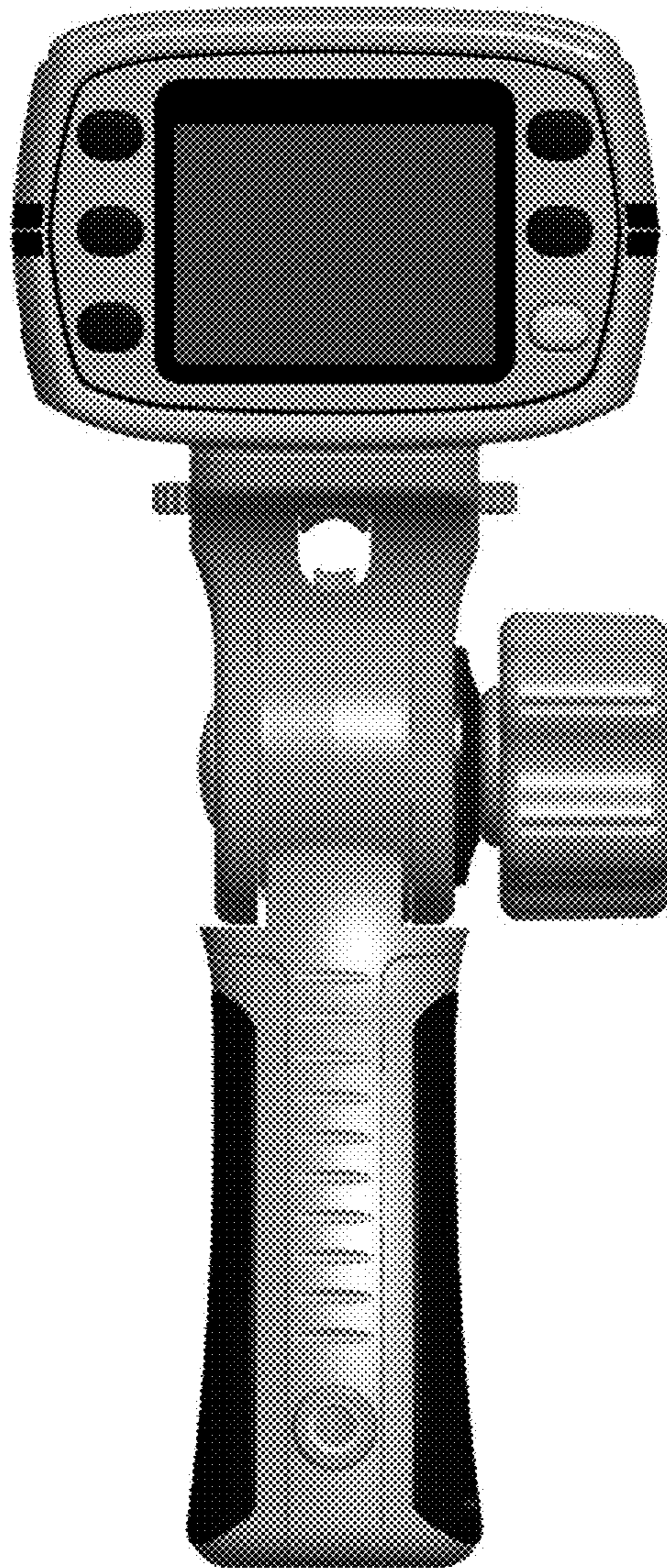


FIG. 2

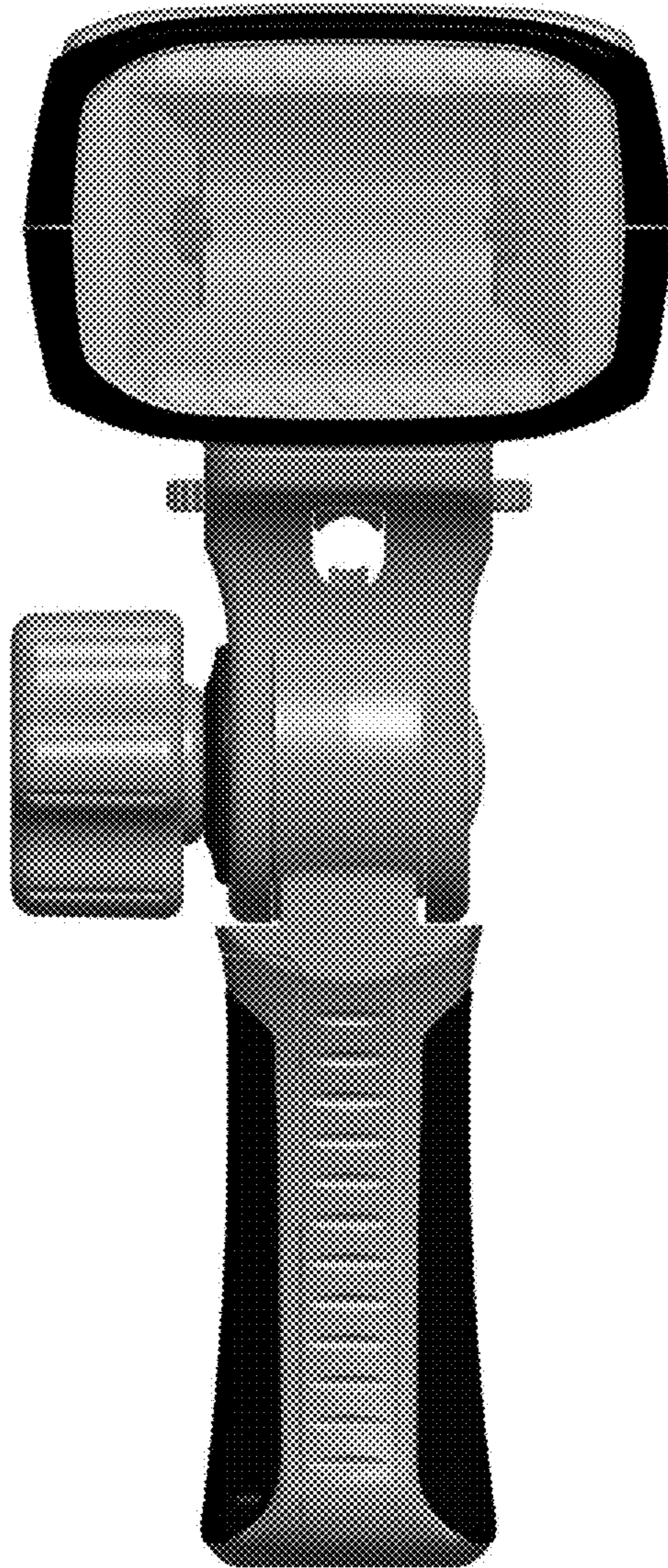


FIG. 3



FIG. 4

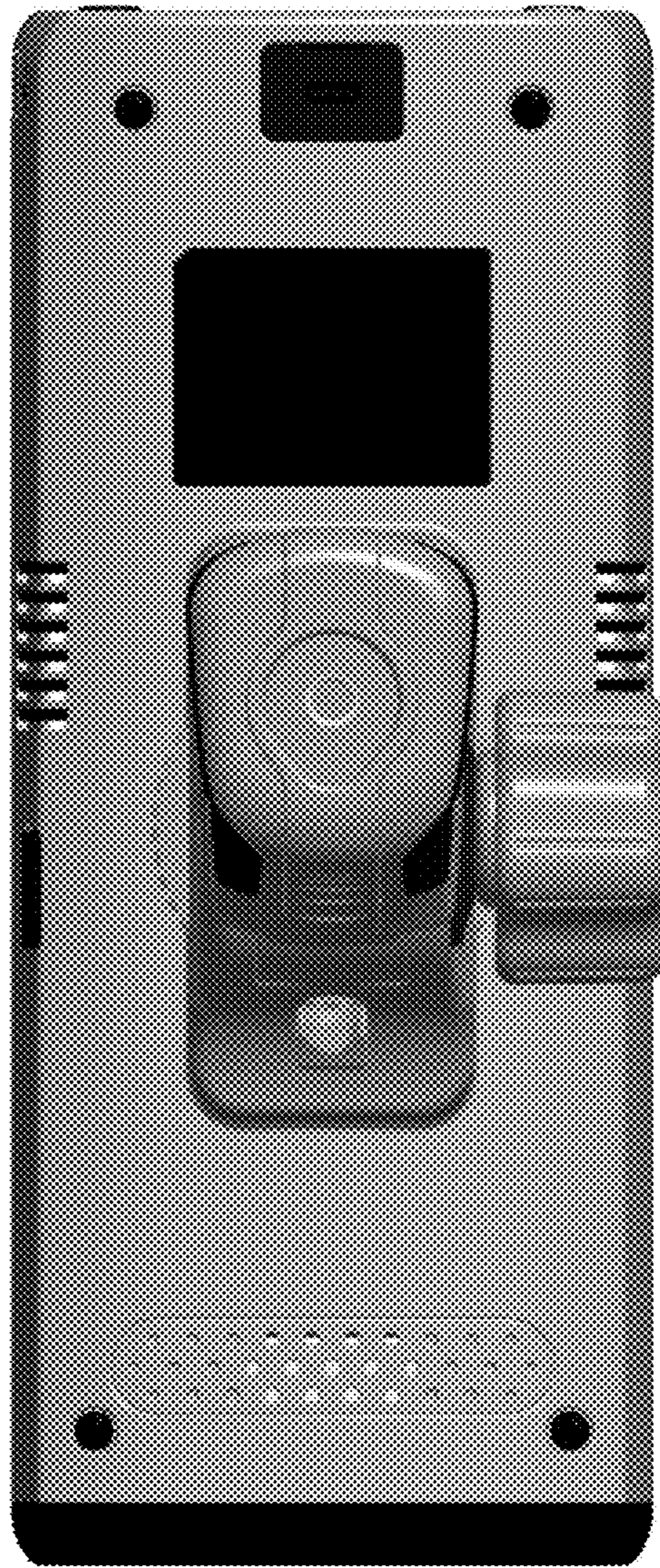


FIG. 5



FIG. 6



FIG. 7