



US00D886181S

(12) **United States Design Patent**
Lu

(10) **Patent No.:** **US D886,181 S**
(45) **Date of Patent:** **** Jun. 2, 2020**

(54) **CAMERA LENS COVER**

(71) Applicant: **Ye Lu**, Hangzhou (CN)

(72) Inventor: **Ye Lu**, Hangzhou (CN)

(**) Term: **15 Years**

(21) Appl. No.: **29/672,257**

(22) Filed: **Dec. 4, 2018**

(30) **Foreign Application Priority Data**

Jun. 6, 2018 (CN) 2018 3 0281986

(51) **LOC (12) Cl.** **16-05**

(52) **U.S. Cl.**
USPC **D16/237**; D14/240

(58) **Field of Classification Search**
USPC D16/219, 237–250; D8/354, 355, 363,
D8/373, 382–383, 394–396; D14/224,
(Continued)

(56) **References Cited**

U.S. PATENT DOCUMENTS

D390,453 S * 2/1998 Hamerski D8/396
D626,950 S * 11/2010 Roman D14/240
(Continued)

OTHER PUBLICATIONS

HUYUN The Webcam Privacy Shutter. [online] Retrieved Jan. 6, 2020 from URL: https://www.amazon.com/HUYUN-Privacy-Shutter-Protects-Logitech/dp/B01N7B8QIS/ref=sr_1_2?keywords=HUYUN+The+Webcam+Privacy+Shutter&qid=1578338190&s=electronics&sr=1-2.*

(Continued)

Primary Examiner — Vy N Koenig

(74) *Attorney, Agent, or Firm* — Wang Law Firm, Inc.

(57) **CLAIM**

The ornamental design for a camera lens cover, as shown and described.

DESCRIPTION

FIG. 1 is a front perspective view of a first embodiment of a camera lens cover showing my new design in a closed state;

FIG. 2 is a front view thereof;
FIG. 3 is a rear view thereof;
FIG. 4 is a left view thereof;
FIG. 5 is a right view thereof;
FIG. 6 is a top view thereof;
FIG. 7 is a bottom view thereof;
FIG. 8 is a front perspective view thereof shown attached to a smartphone camera;
FIG. 9 is a front perspective view of the camera lens cover of FIG. 1 in an open state;
FIG. 10 is a front view thereof;
FIG. 11 is a rear view thereof;
FIG. 12 is a left view thereof;
FIG. 13 is a right view thereof;
FIG. 14 is a top view thereof;
FIG. 15 is a bottom view thereof;
FIG. 16 is a front perspective view thereof shown attached to a smartphone camera;
FIG. 17 is a front perspective view of a second embodiment of a camera lens cover showing my new design in a closed state;
FIG. 18 is a front view thereof;
FIG. 19 is a rear view thereof;
FIG. 20 is a left view thereof;
FIG. 21 is a right view thereof;
FIG. 22 is a top view thereof;
FIG. 23 is a bottom view thereof;
FIG. 24 is a front perspective view thereof shown attached to a smartphone camera;
FIG. 25 is a front perspective view of the camera lens cover of FIG. 17 in an open state;
FIG. 26 is a front view thereof;
FIG. 27 is a rear view thereof;
FIG. 28 is a left view thereof;
FIG. 29 is a right view thereof;
FIG. 30 is a top view thereof;
FIG. 31 is a bottom view thereof;
FIG. 32 is a front perspective view thereof shown attached to a smartphone camera;
FIG. 33 is a front perspective view of a third embodiment of a camera lens cover showing my new design in a closed state;
FIG. 34 is a front view thereof;
FIG. 35 is a rear view thereof;
FIG. 36 is a left view thereof;

(Continued)

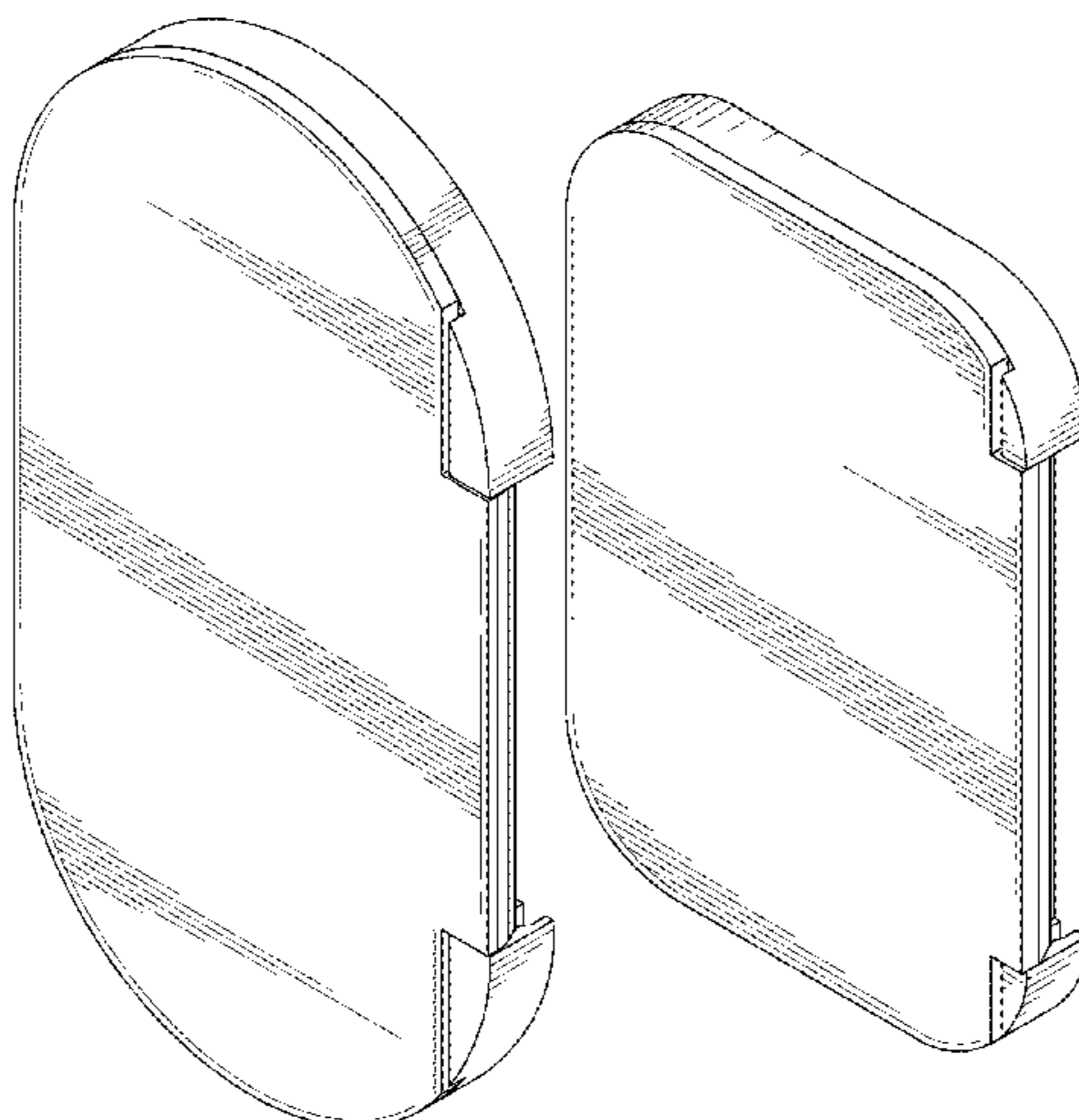


FIG. 37 is a right view thereof;
 FIG. 38 is a top view thereof;
 FIG. 39 is a bottom view thereof;
 FIG. 40 is a front perspective view thereof shown attached to a smartphone camera;
 FIG. 41 is a front perspective view of the camera lens cover of FIG. 33 in an open state;
 FIG. 42 is a front view thereof;
 FIG. 43 is a rear view thereof;
 FIG. 44 is a left view thereof;
 FIG. 45 is a right view thereof;
 FIG. 46 is a top view thereof;
 FIG. 47 is a bottom view thereof;
 FIG. 48 is a front perspective view thereof shown attached to a smartphone camera;
 FIG. 49 is a front perspective view of a fourth embodiment of a camera lens cover showing my new design in a closed state;
 FIG. 50 is a front view thereof;
 FIG. 51 is a rear view thereof;
 FIG. 52 is a left view thereof;
 FIG. 53 is a right view thereof;
 FIG. 54 is a top view thereof;
 FIG. 55 is a bottom view thereof;
 FIG. 56 is a front perspective view thereof shown attached to a smartphone camera;
 FIG. 57 is a front perspective view of the camera lens cover of FIG. 49 in an open state;
 FIG. 58 is a front view thereof;
 FIG. 59 is a rear view thereof;
 FIG. 60 is a left view thereof;
 FIG. 61 is a right view thereof;
 FIG. 62 is a top view thereof;
 FIG. 63 is a bottom view thereof; and,
 FIG. 64 is a front perspective view thereof shown attached to a smartphone camera.
 The broken line showing of the camera is for the purpose of illustrating environmental structure and forms no part of the claimed design.

1 Claim, 64 Drawing Sheets

(58) **Field of Classification Search**

USPC D14/229, 238, 251, 253, 356, 447, 451, D14/457

CPC A45F 5/00; A45F 5/10; A45F 2200/0508-0533; F16M 11/06-10; F16M 11/14; G02B 7/00-002; G03B 17/56; G03B 17/561-568; H04N 5/2253-2254

See application file for complete search history.

(56)

References Cited

U.S. PATENT DOCUMENTS

D631,483	S *	1/2011	Nelson	D14/484.1
D706,327	S *	6/2014	Warr	E06B 7/30 D16/135
D721,396	S *	1/2015	Gustaveson, II	D16/237
D733,788	S *	7/2015	Baker	D16/237
D763,843	S *	8/2016	Gustaveson, II	D14/250
D782,562	S *	3/2017	Gustaveson, II	D16/237
D807,937	S *	1/2018	Warr	D16/135
D807,947	S *	1/2018	Gustaveson, II	D16/237
D808,457	S *	1/2018	Gustaveson, II	D16/237
D810,089	S *	2/2018	Kuo	D14/440
D810,180	S *	2/2018	Gustaveson, II	G03B 11/041 D16/237
D816,149	S *	4/2018	Dalton	D16/237
D837,279	S *	1/2019	Penn	D16/237
D839,946	S *	2/2019	De Vries	D16/237
D868,136	S *	11/2019	Tadmor	D16/237
10,463,126	B2 *	11/2019	Mallory	A45F 5/10
D873,833	S *	1/2020	Leimer	D14/440
2011/0051335	A1 *	3/2011	Han	H04N 5/2252 361/679.01
2015/0002950	A1 *	1/2015	O'Neill	G02B 7/14 359/827
2015/0222315	A1 *	8/2015	O'Neill	H04B 1/3888 455/575.8
2017/0329206	A1 *	11/2017	Gustaveson, II	G03B 11/041
2017/0371128	A1 *	12/2017	Li	H04N 17/002

OTHER PUBLICATIONS

Op Tech Fast Cap Lens Cap. [online] Published Feb. 8, 2017. Retrieved Jan. 6, 2020 from URL: https://www.adorama.com/otfc58u.html?gclid=CjwKCAiA0svwBRBhEiwAHqKjFjZkhawRf1IPtGz3IW5c9JDgvIW6axHucqUvVVtlaa1ScUdbMHNfkBoCOo4QAvD_BwE.*

* cited by examiner

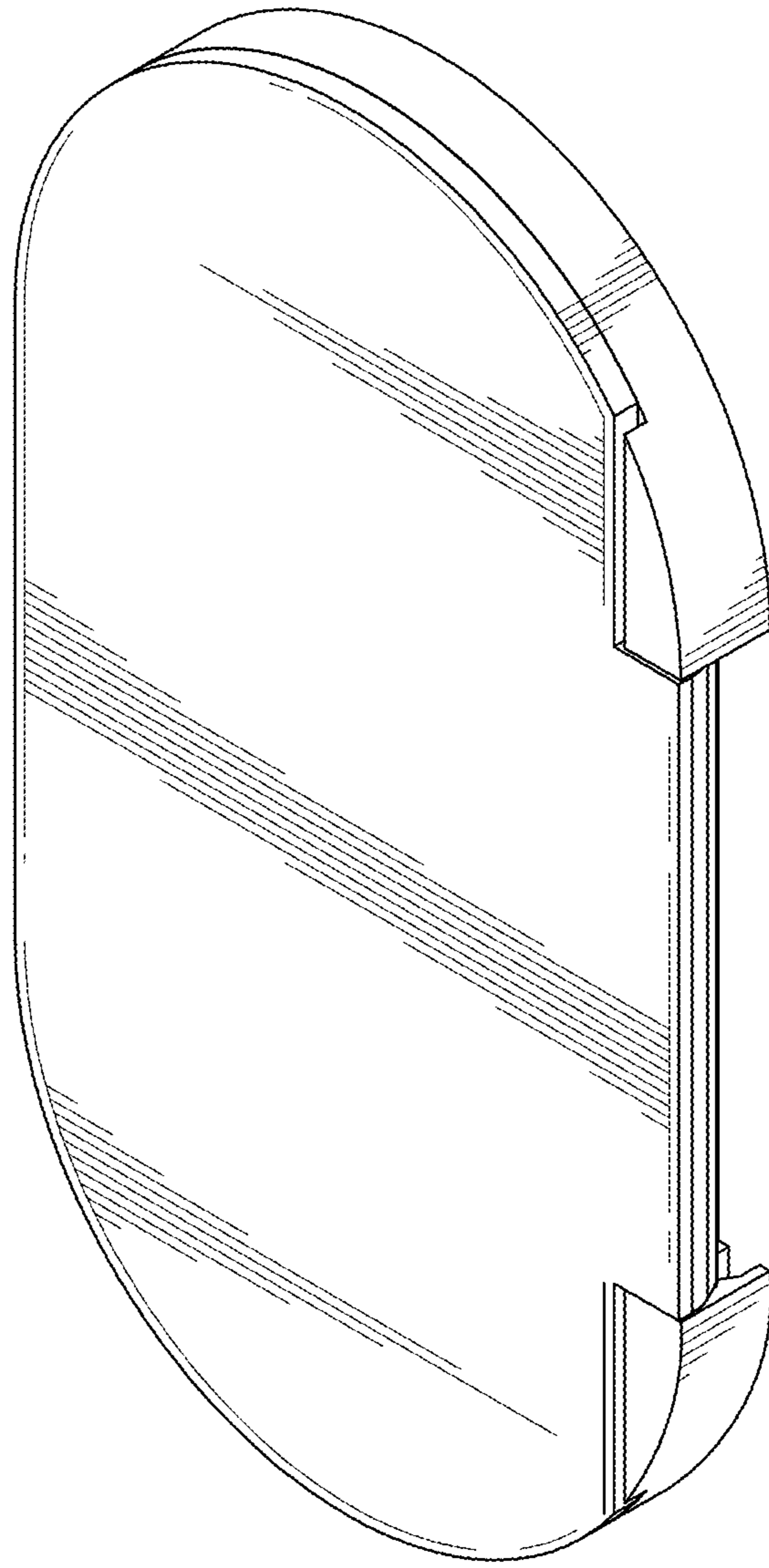


FIG. 1

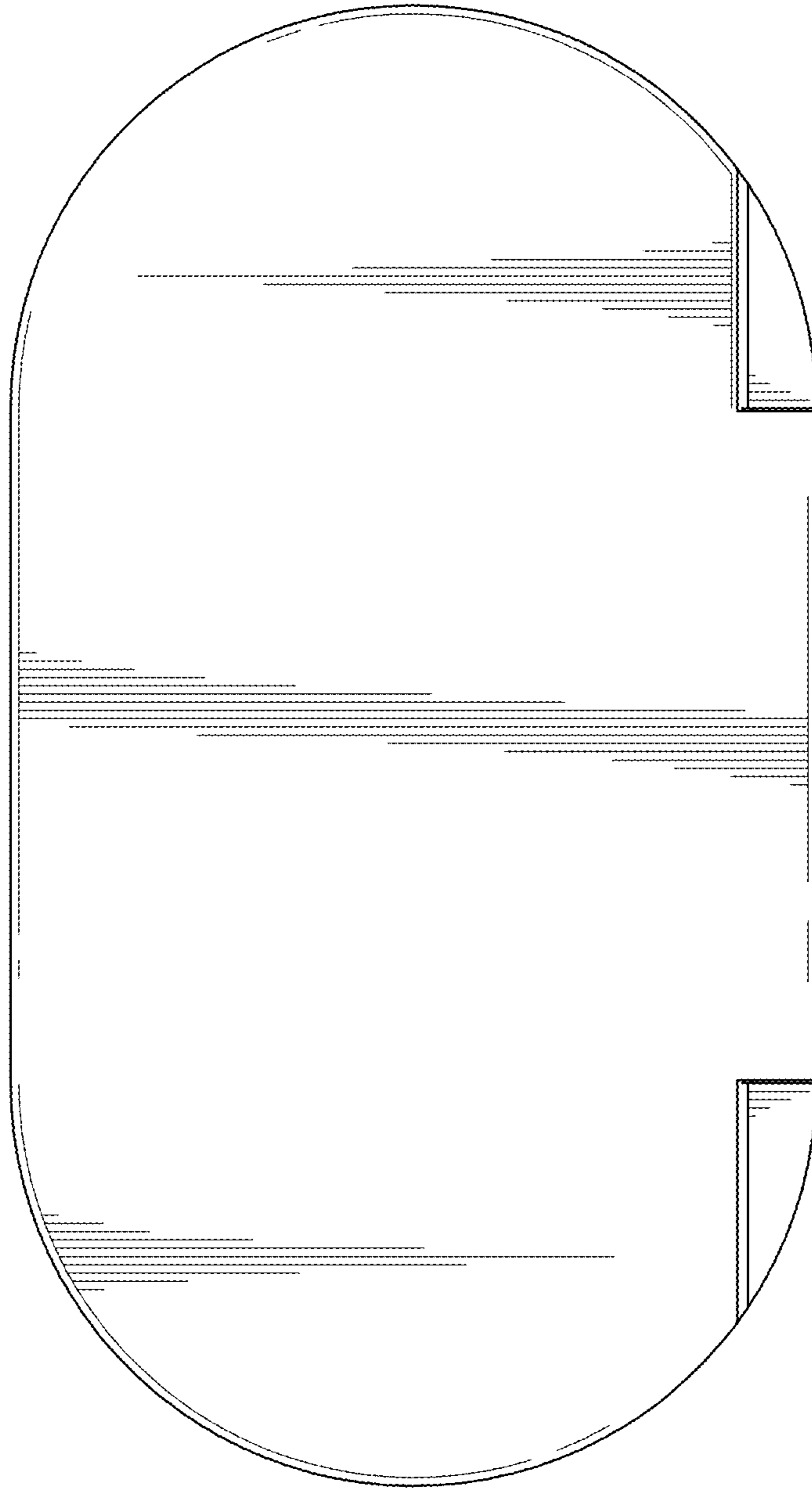


FIG. 2

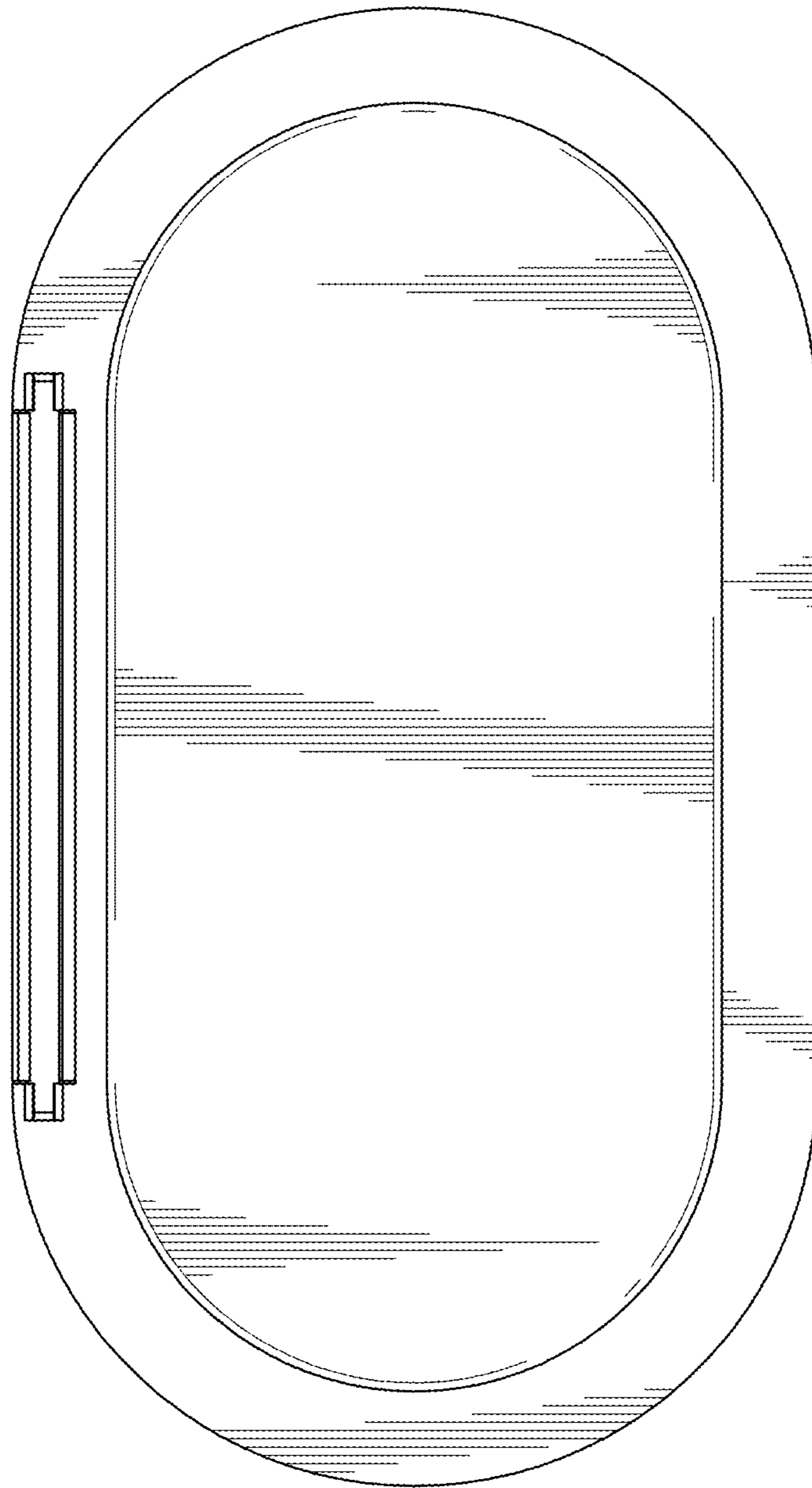


FIG. 3

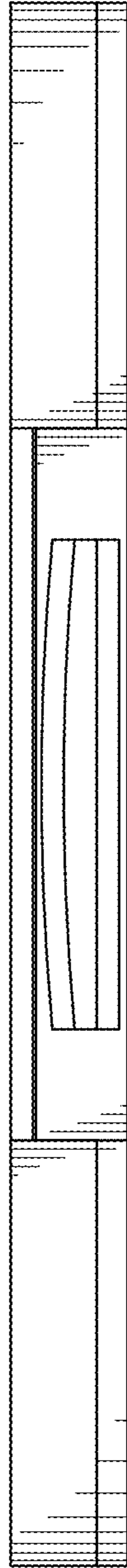


FIG. 4

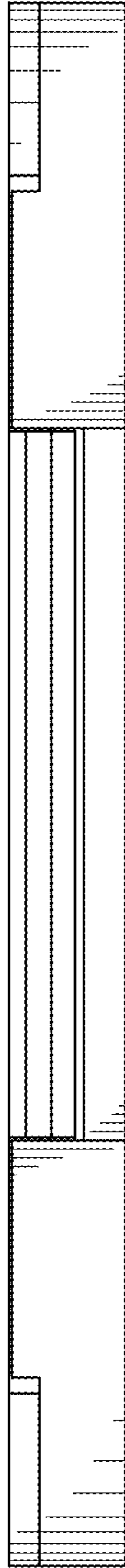


FIG. 5



FIG. 6

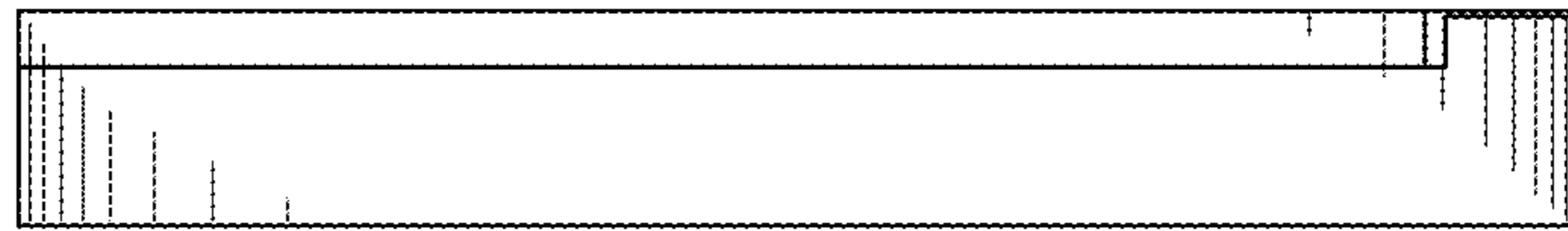


FIG. 7

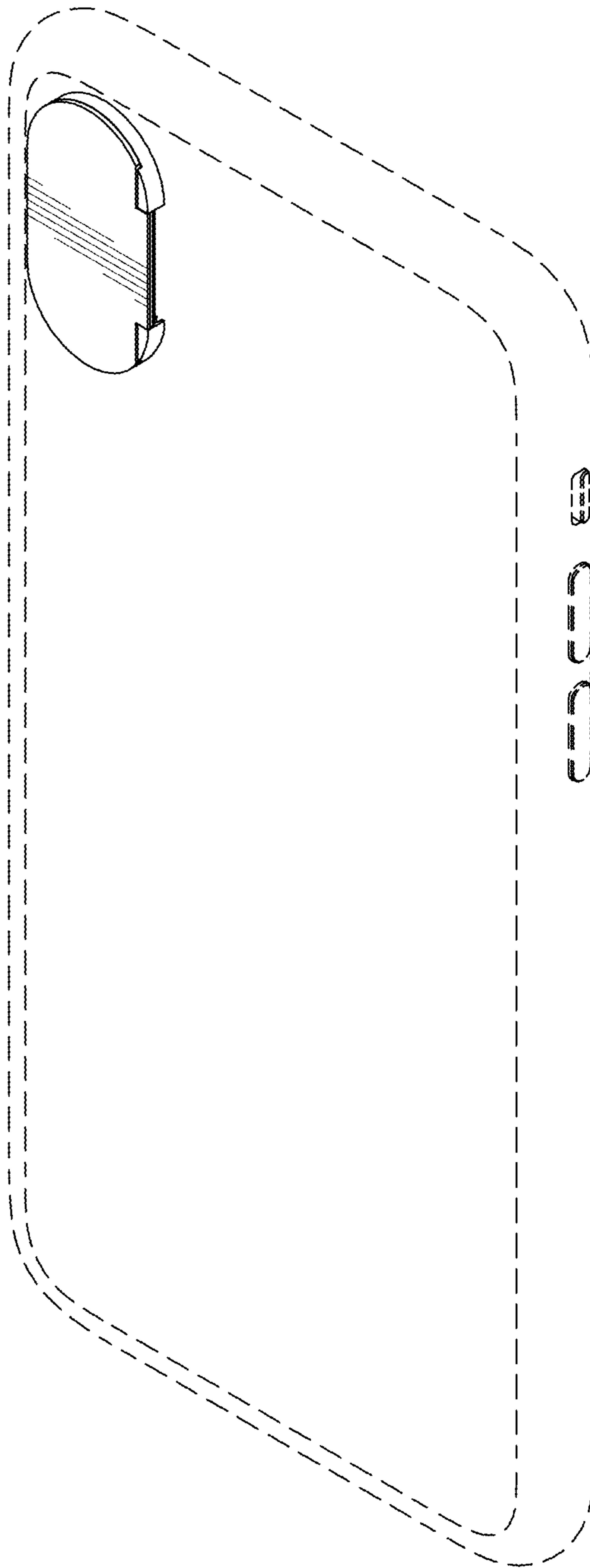


FIG. 8

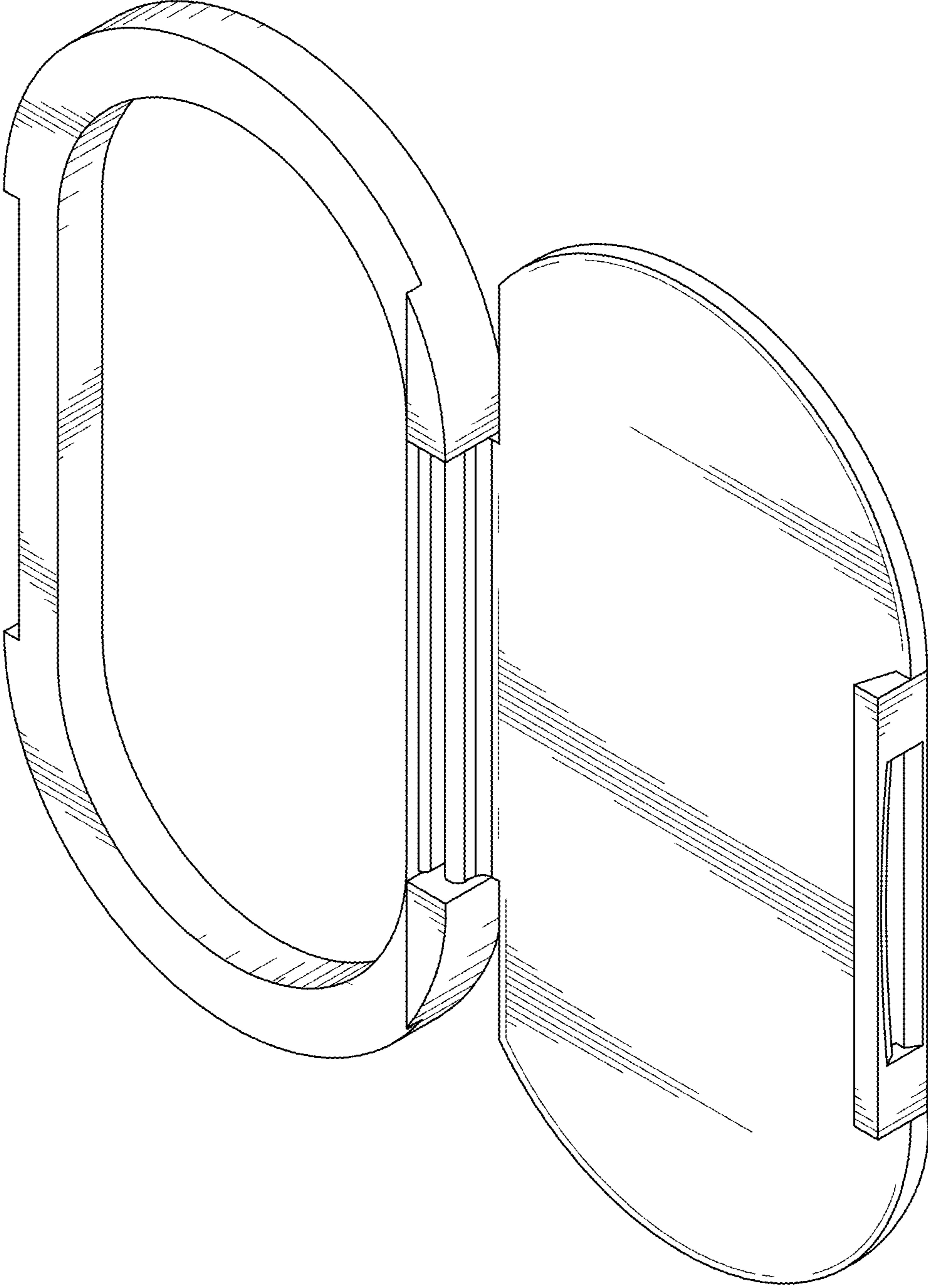


FIG. 9

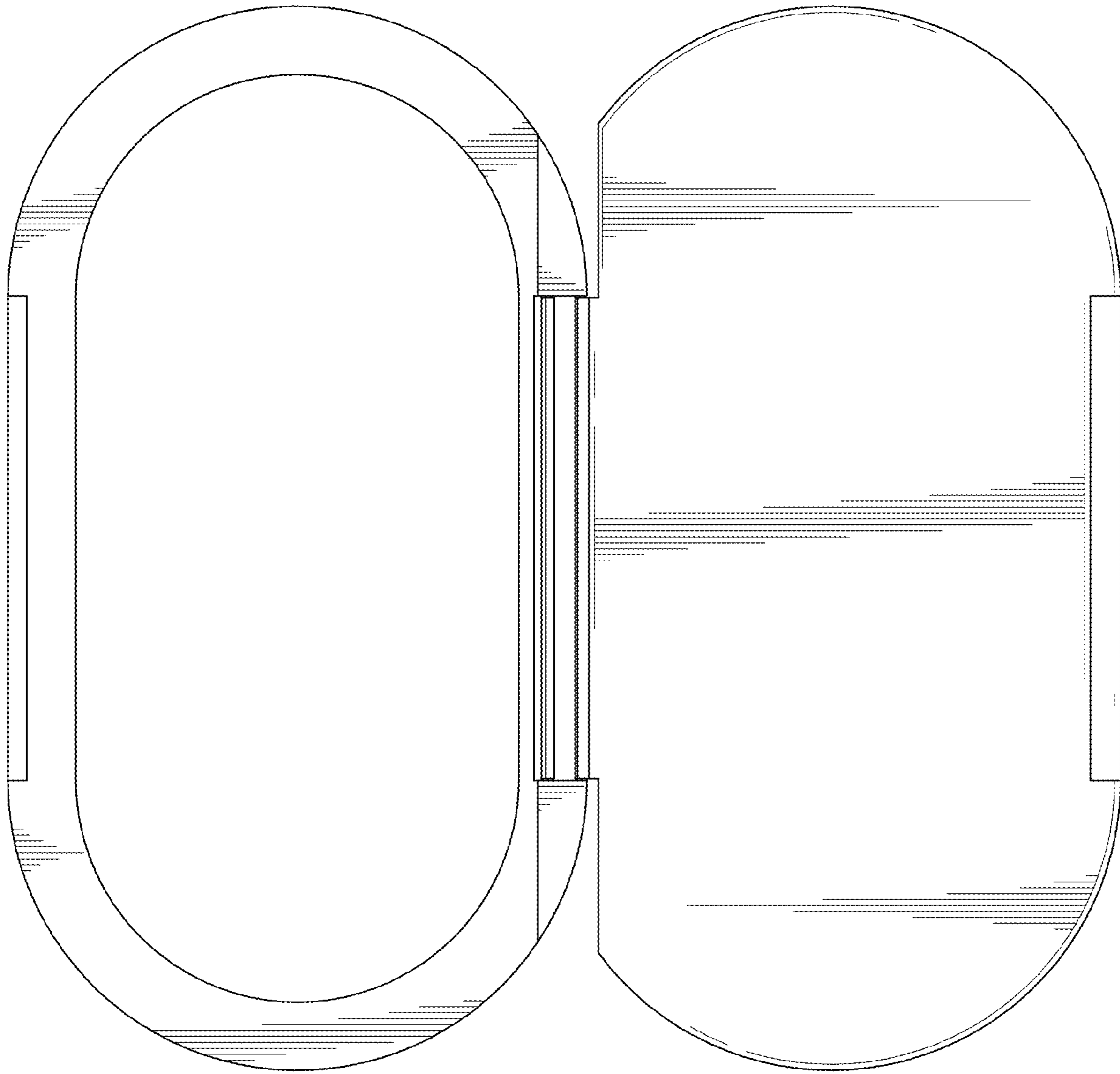


FIG. 10

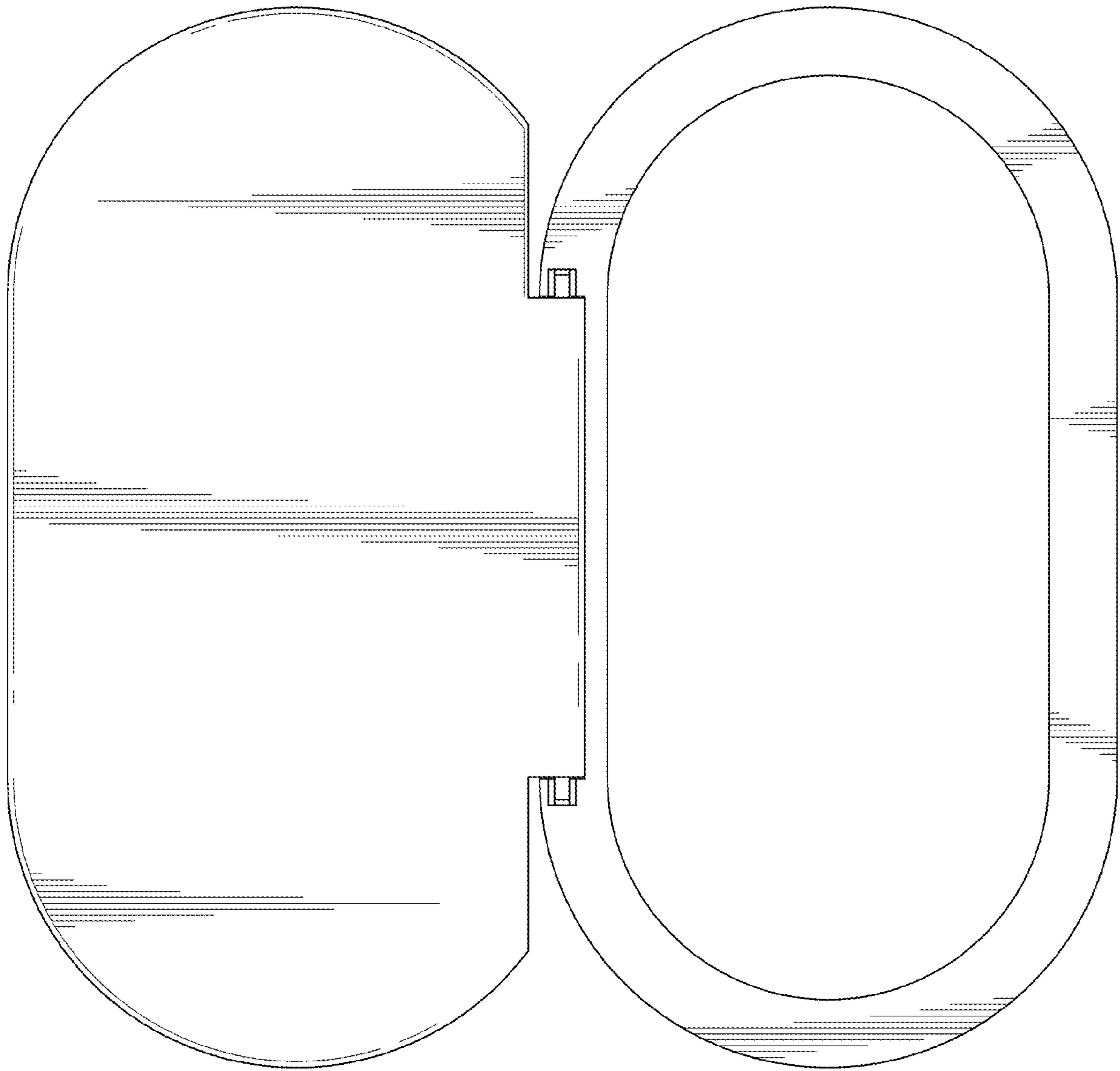


FIG. 11

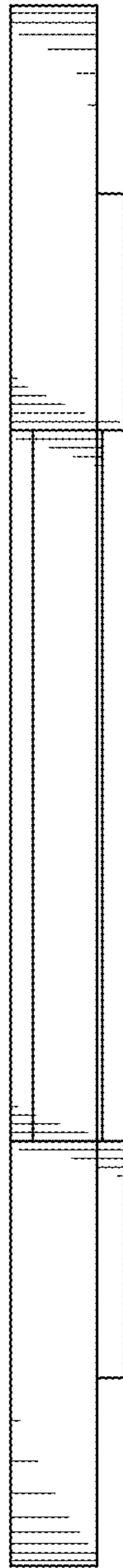


FIG. 12

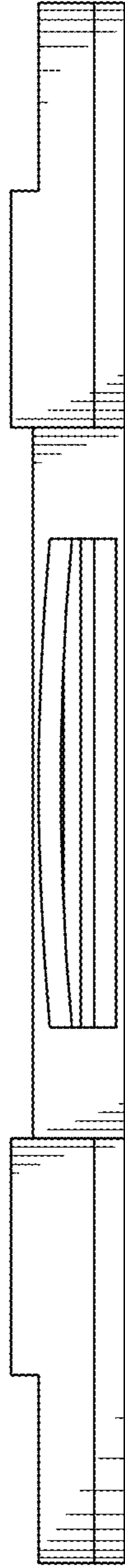


FIG. 13

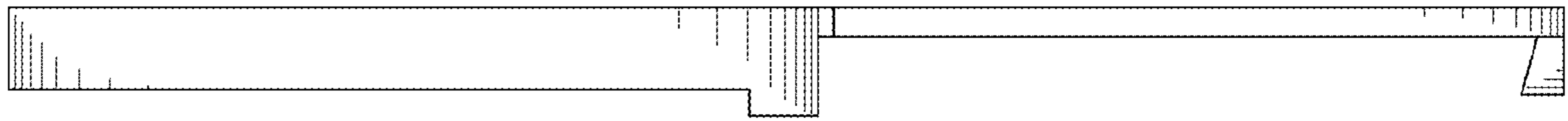


FIG. 14

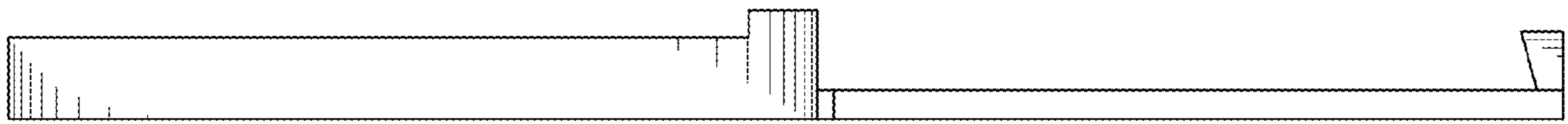


FIG. 15

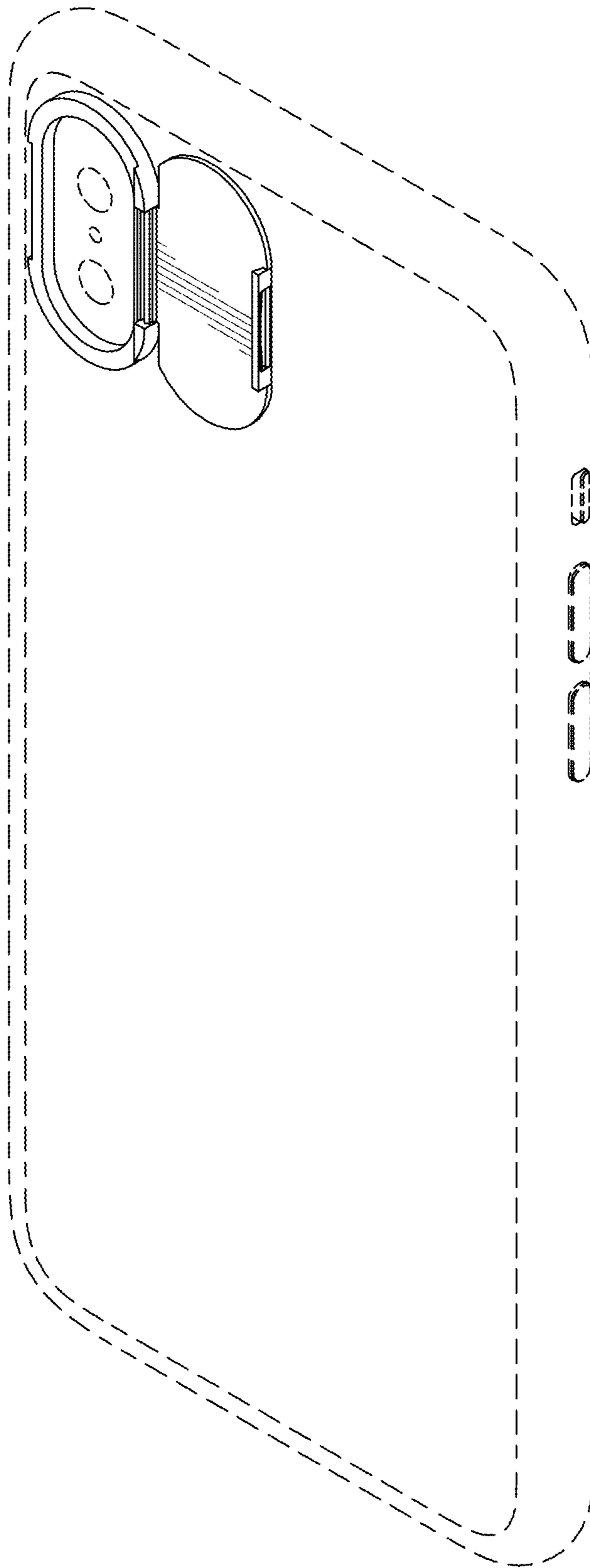


FIG. 16

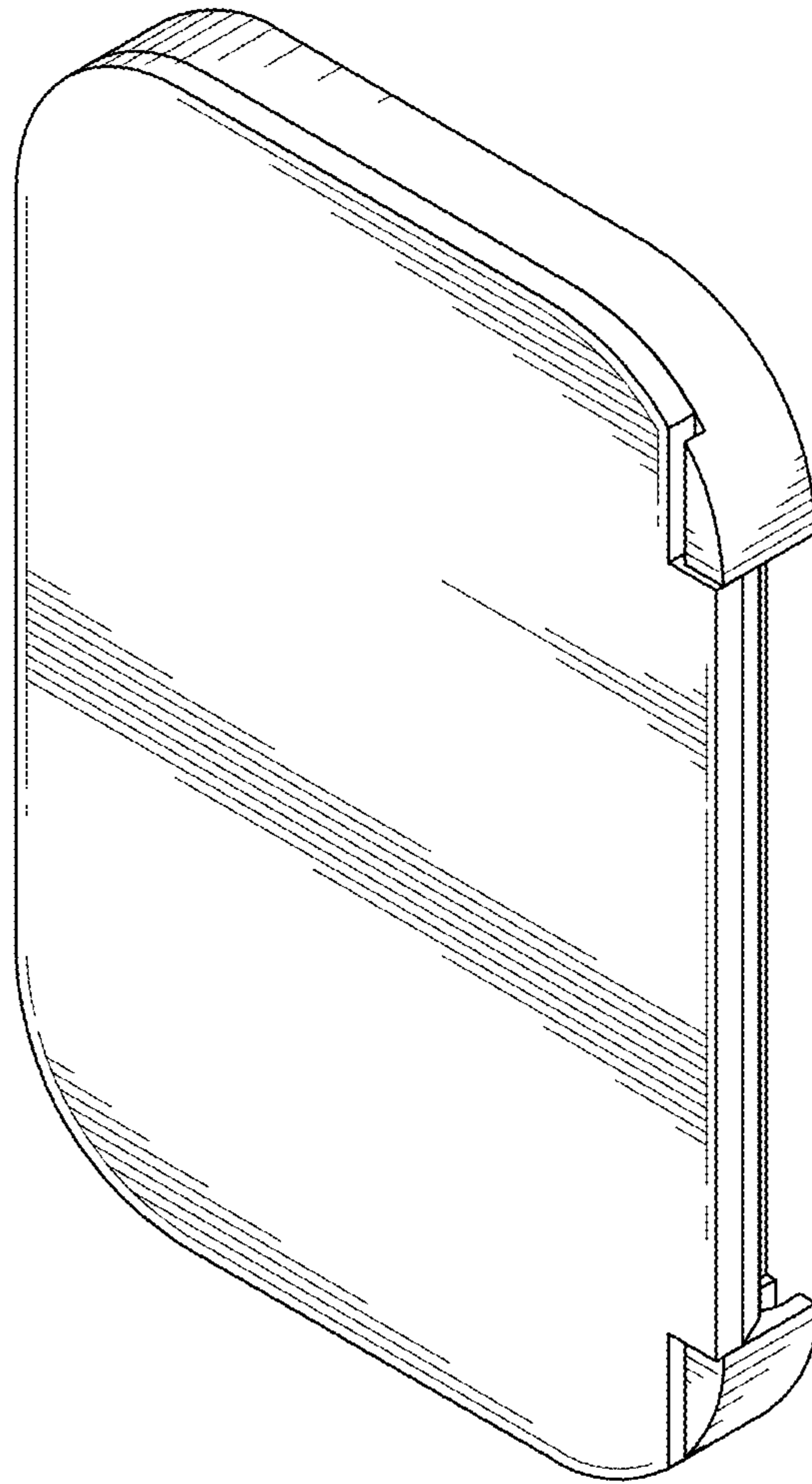


FIG. 17

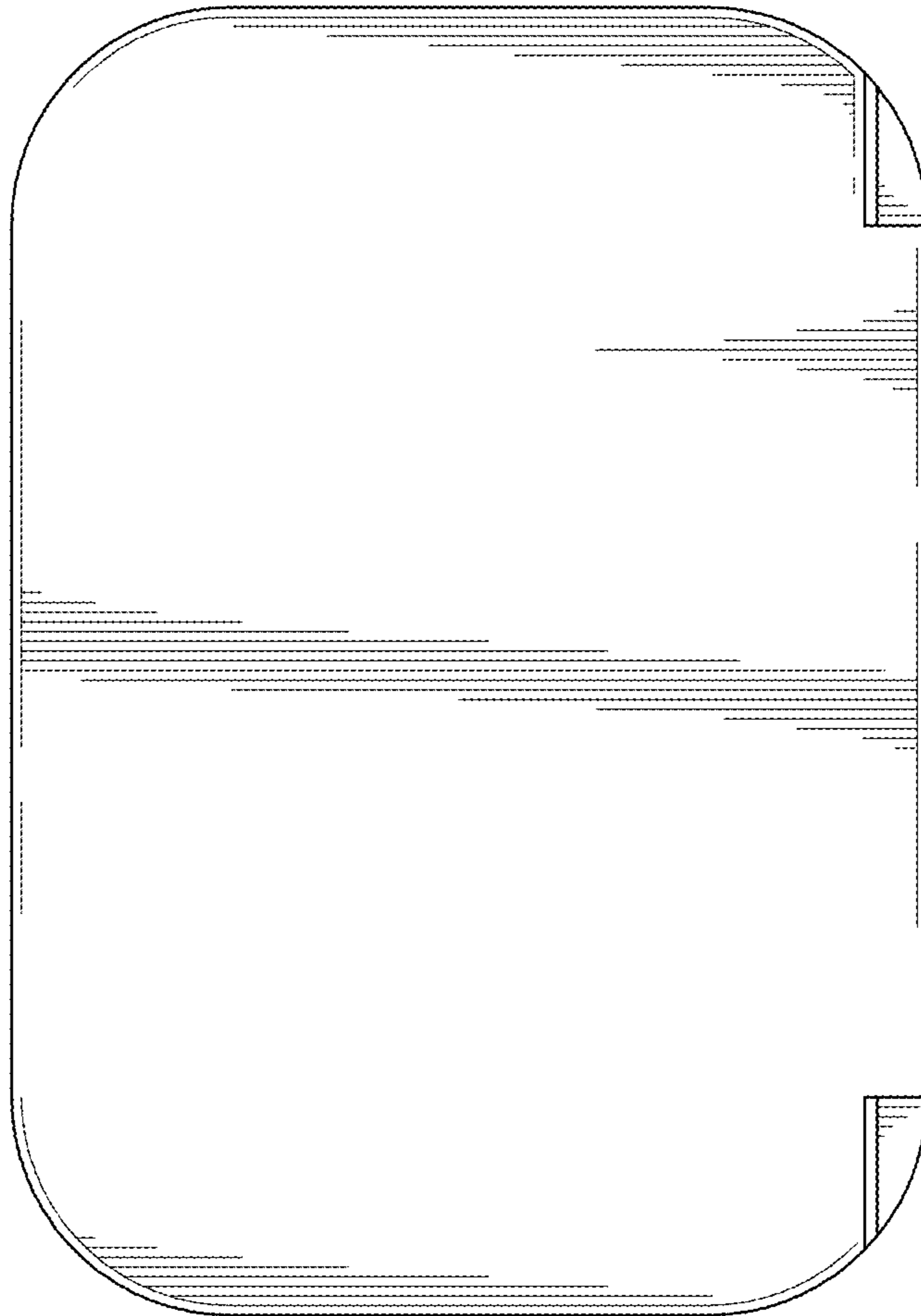


FIG. 18

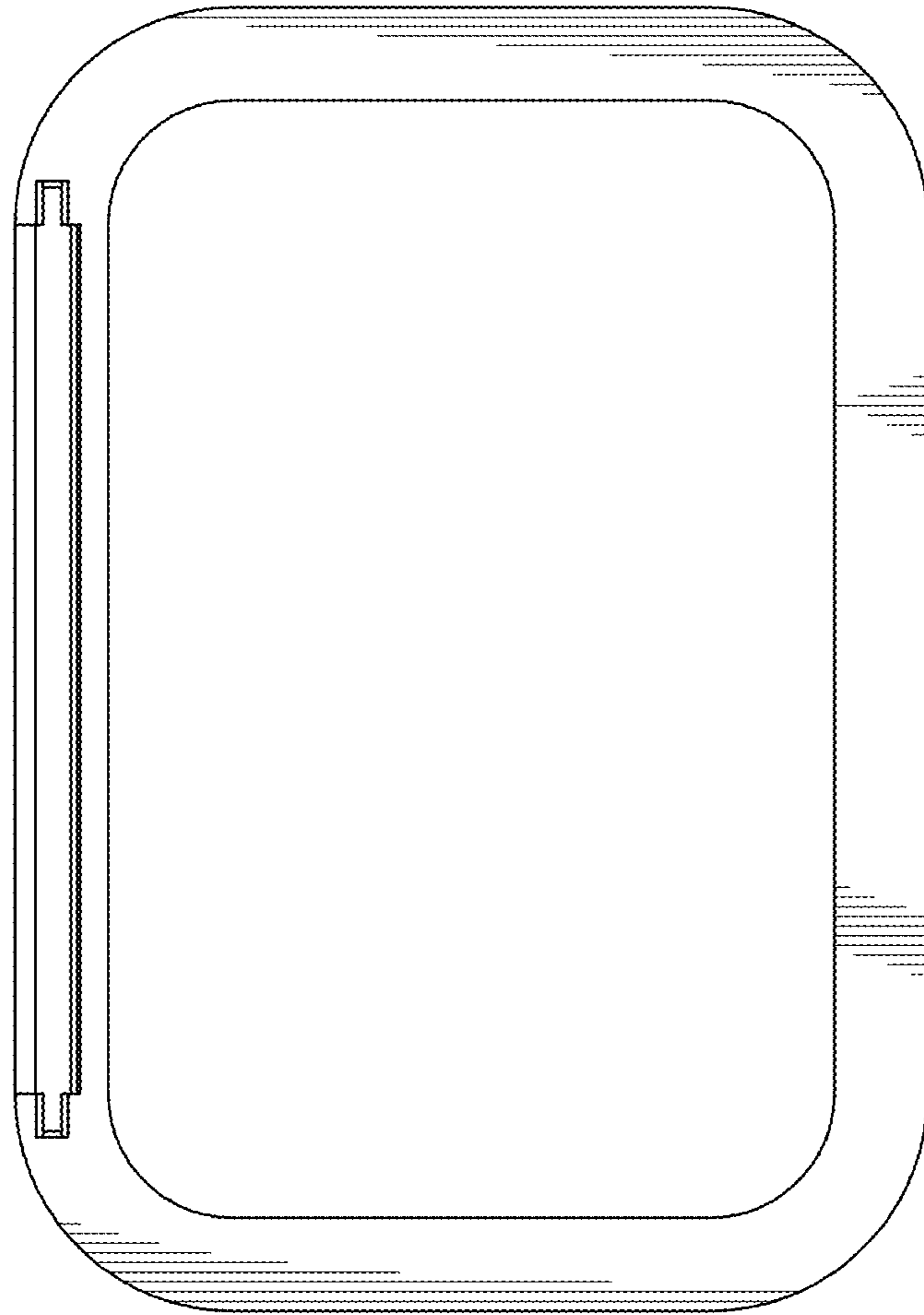


FIG. 19

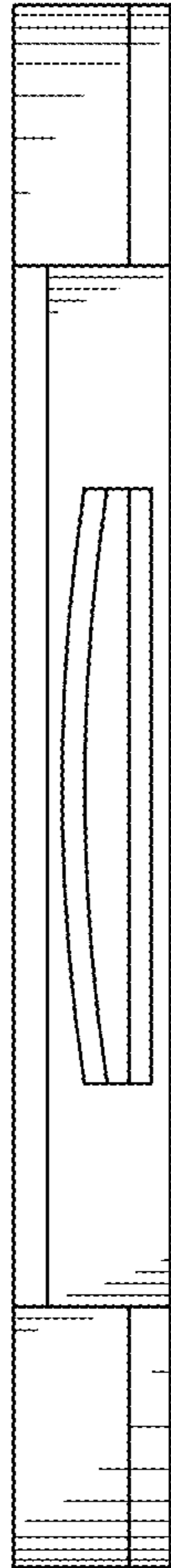


FIG. 20

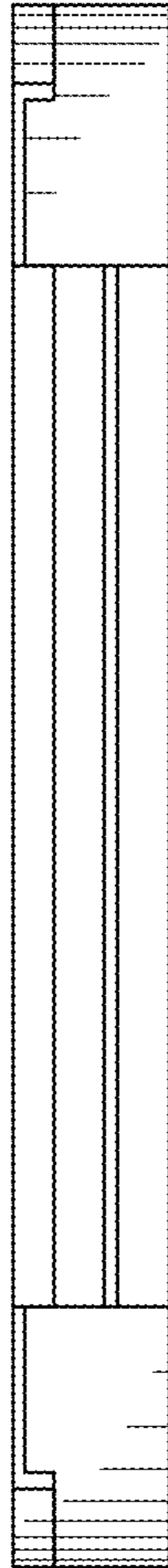


FIG. 21



FIG. 22

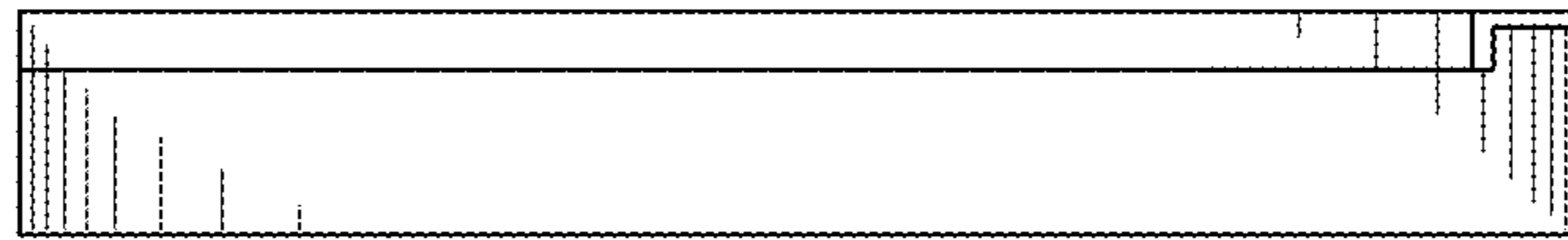


FIG. 23

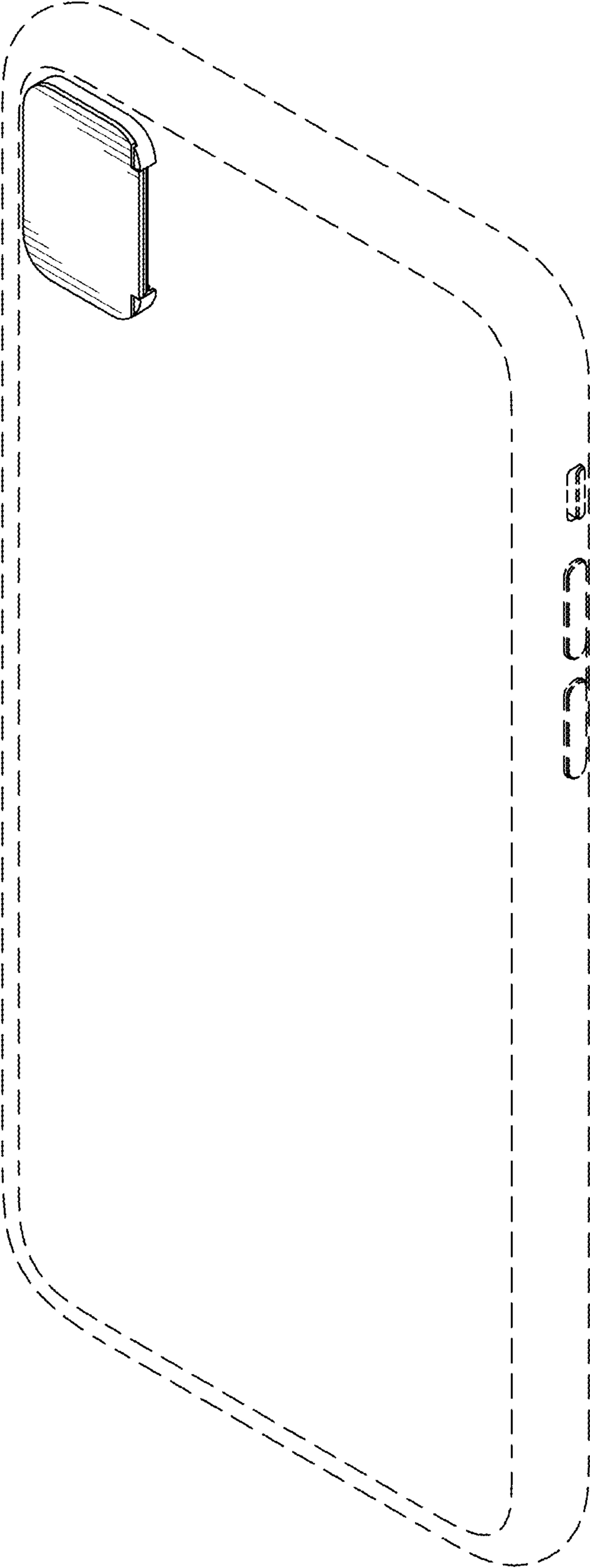


FIG. 24

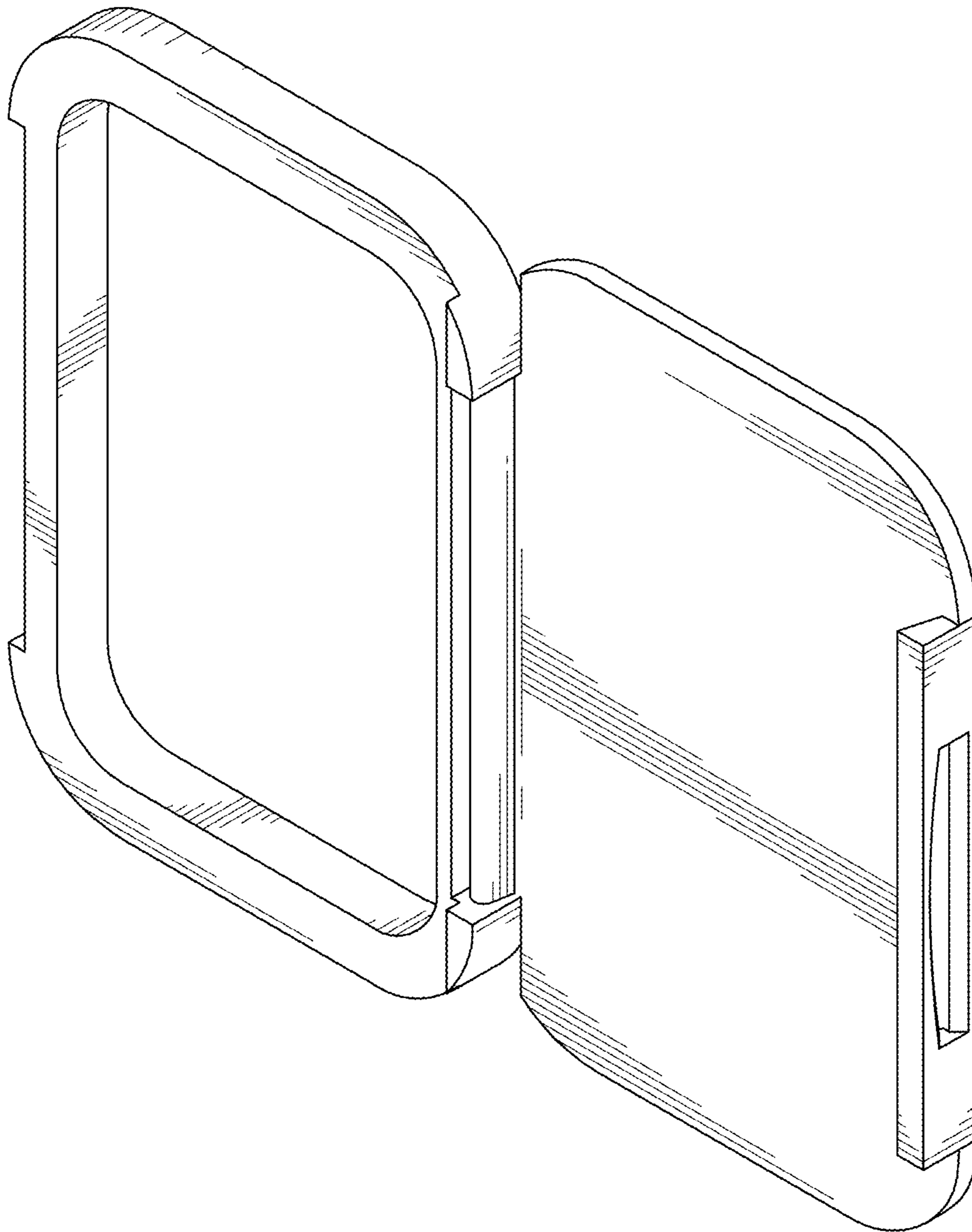


FIG. 25

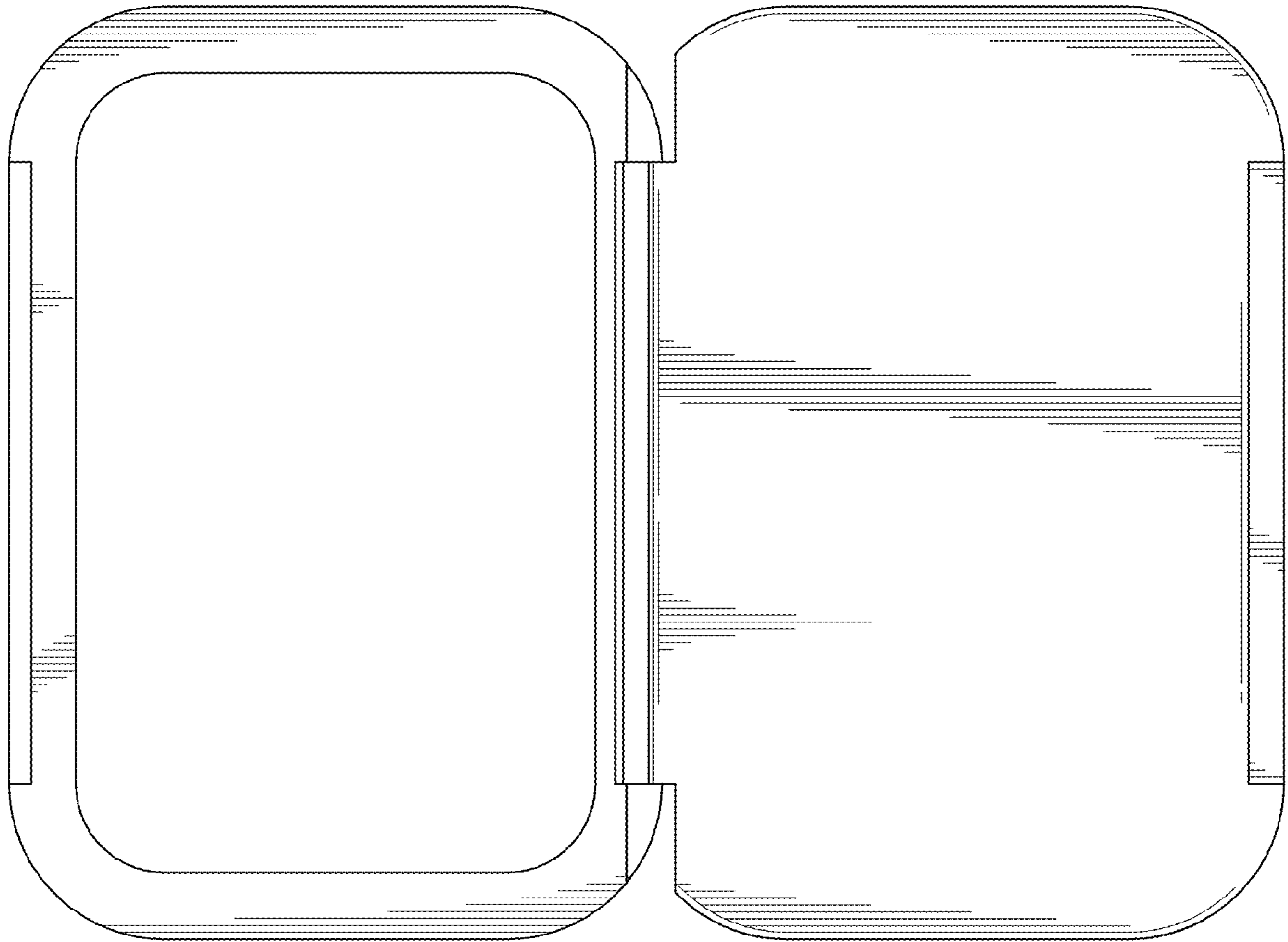


FIG. 26

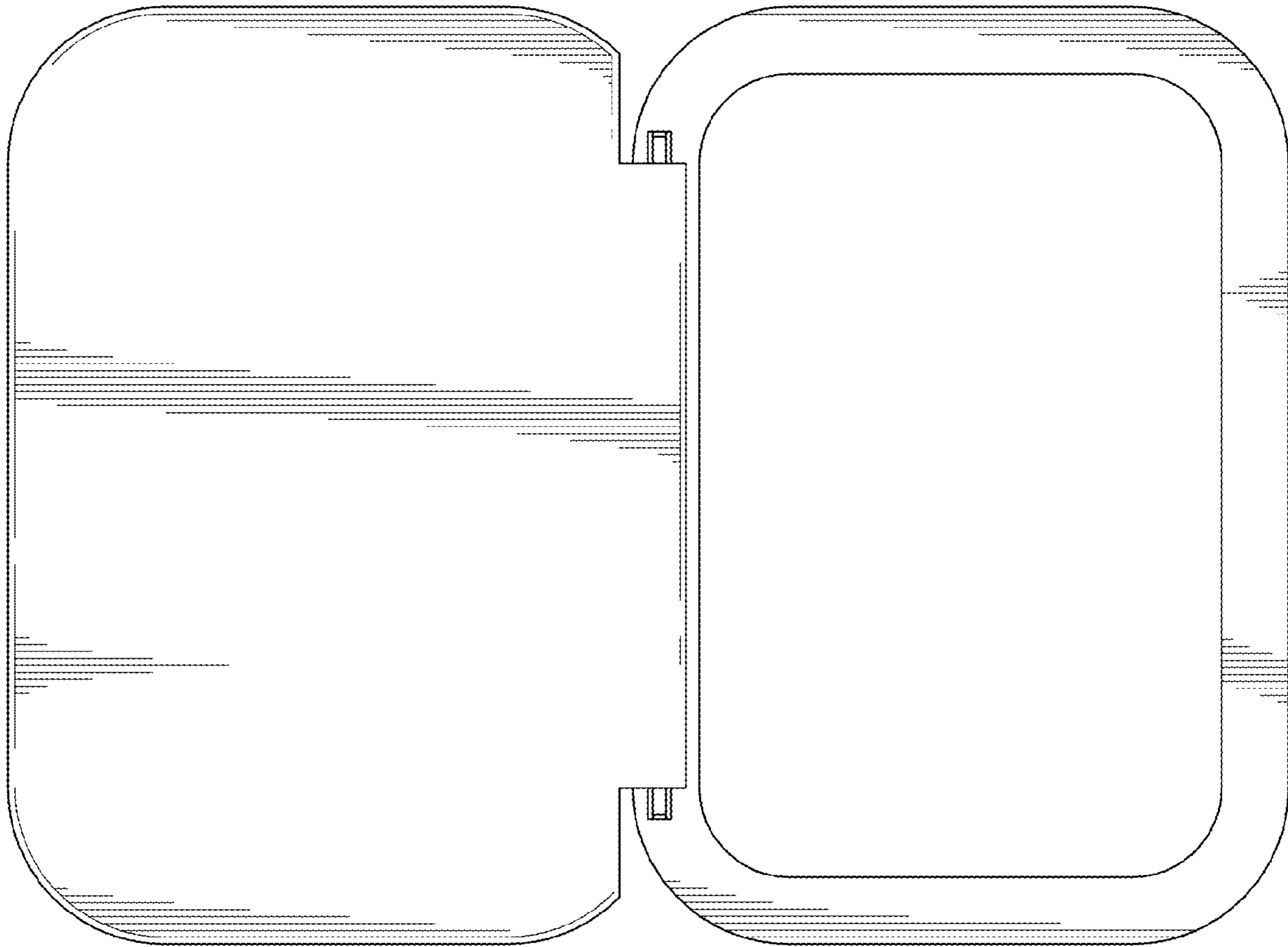


FIG. 27

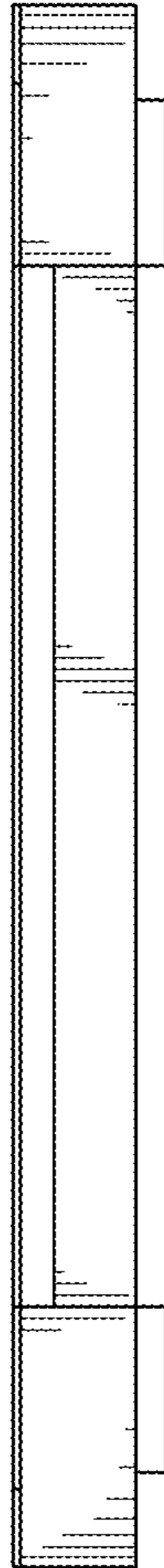


FIG. 28

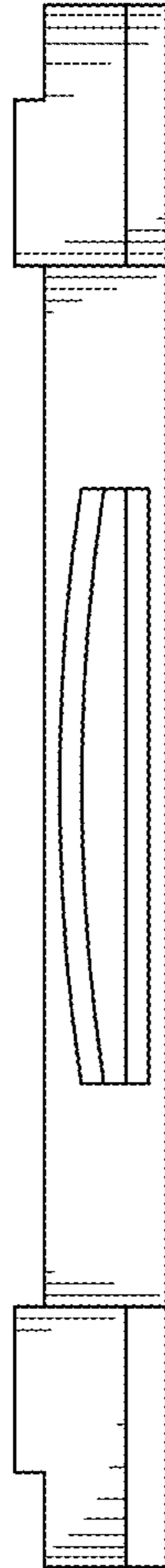


FIG. 29

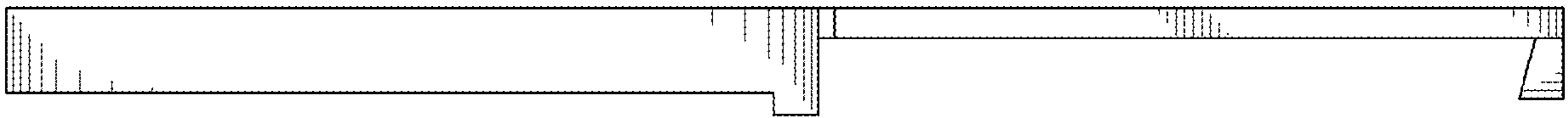


FIG. 30



FIG. 31

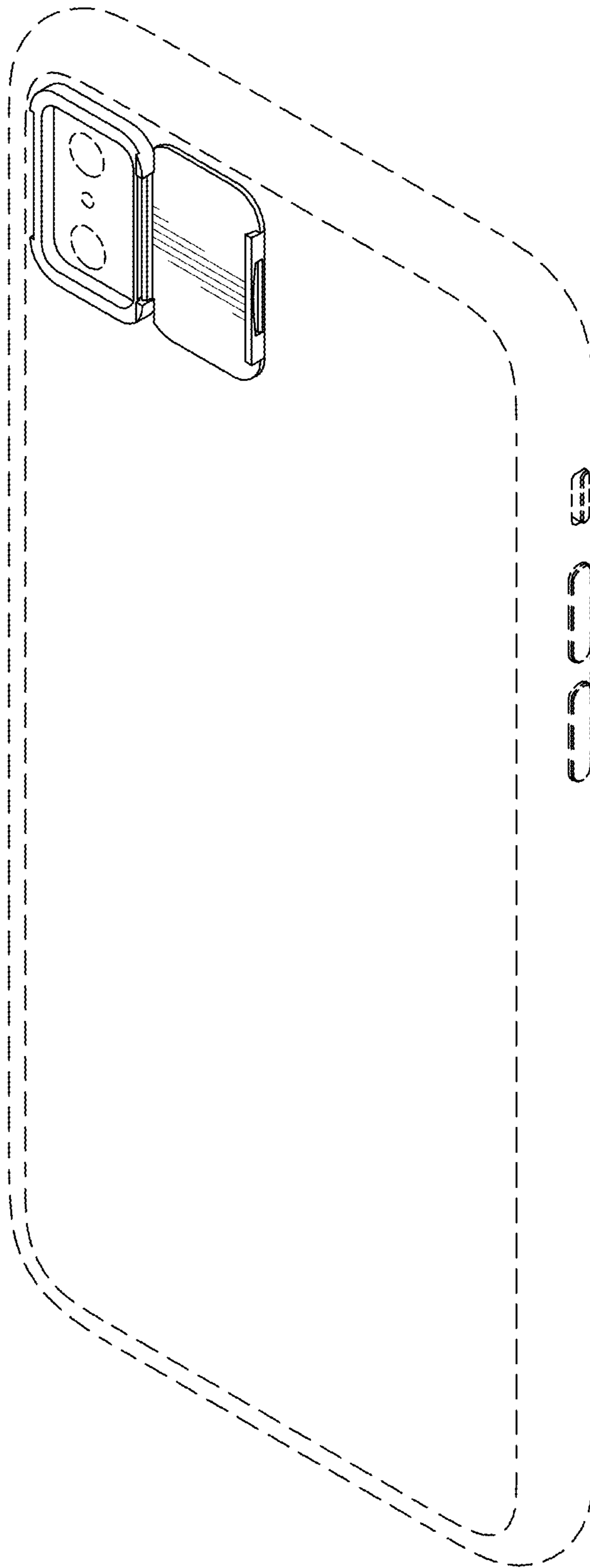


FIG. 32

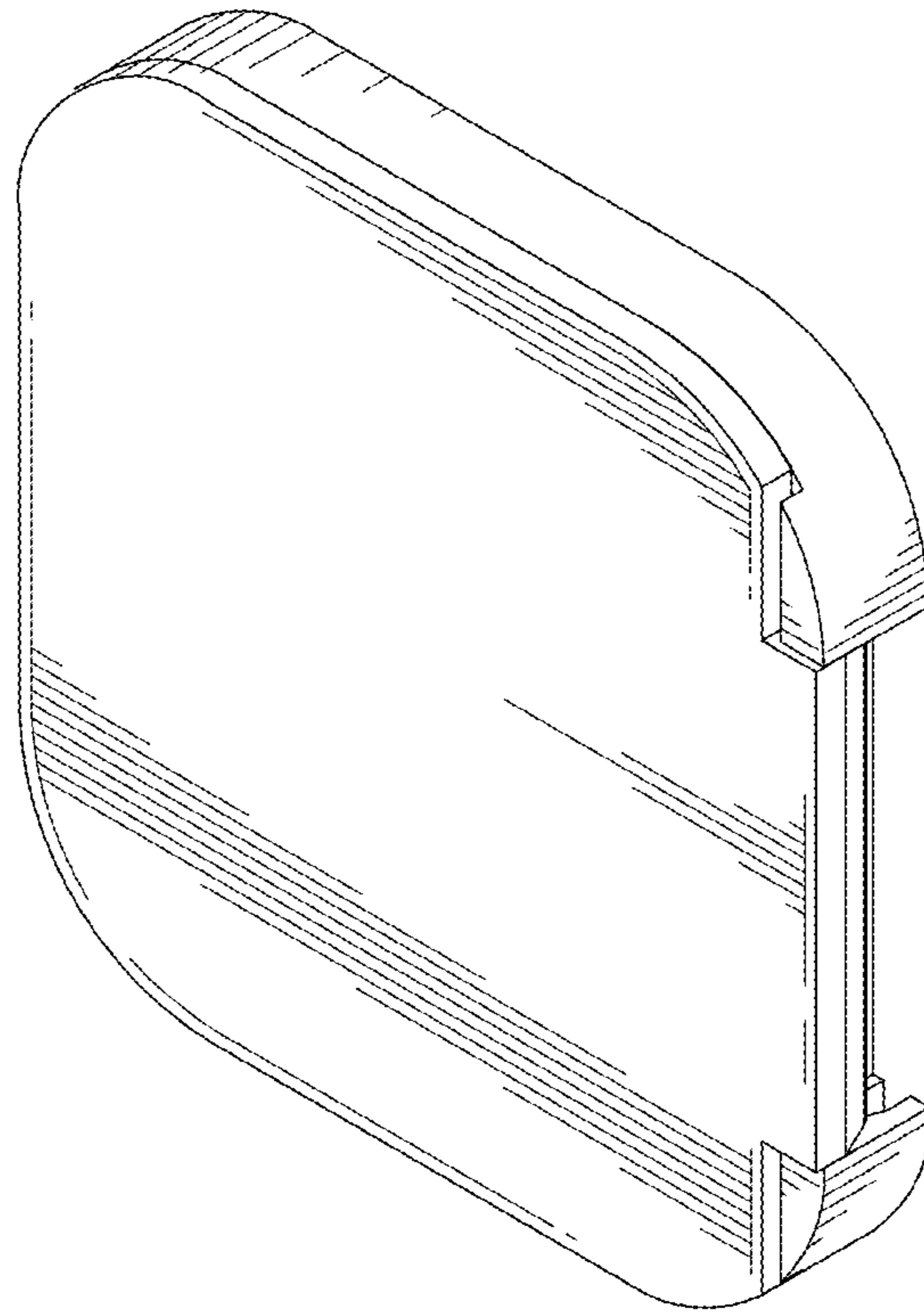


FIG. 33

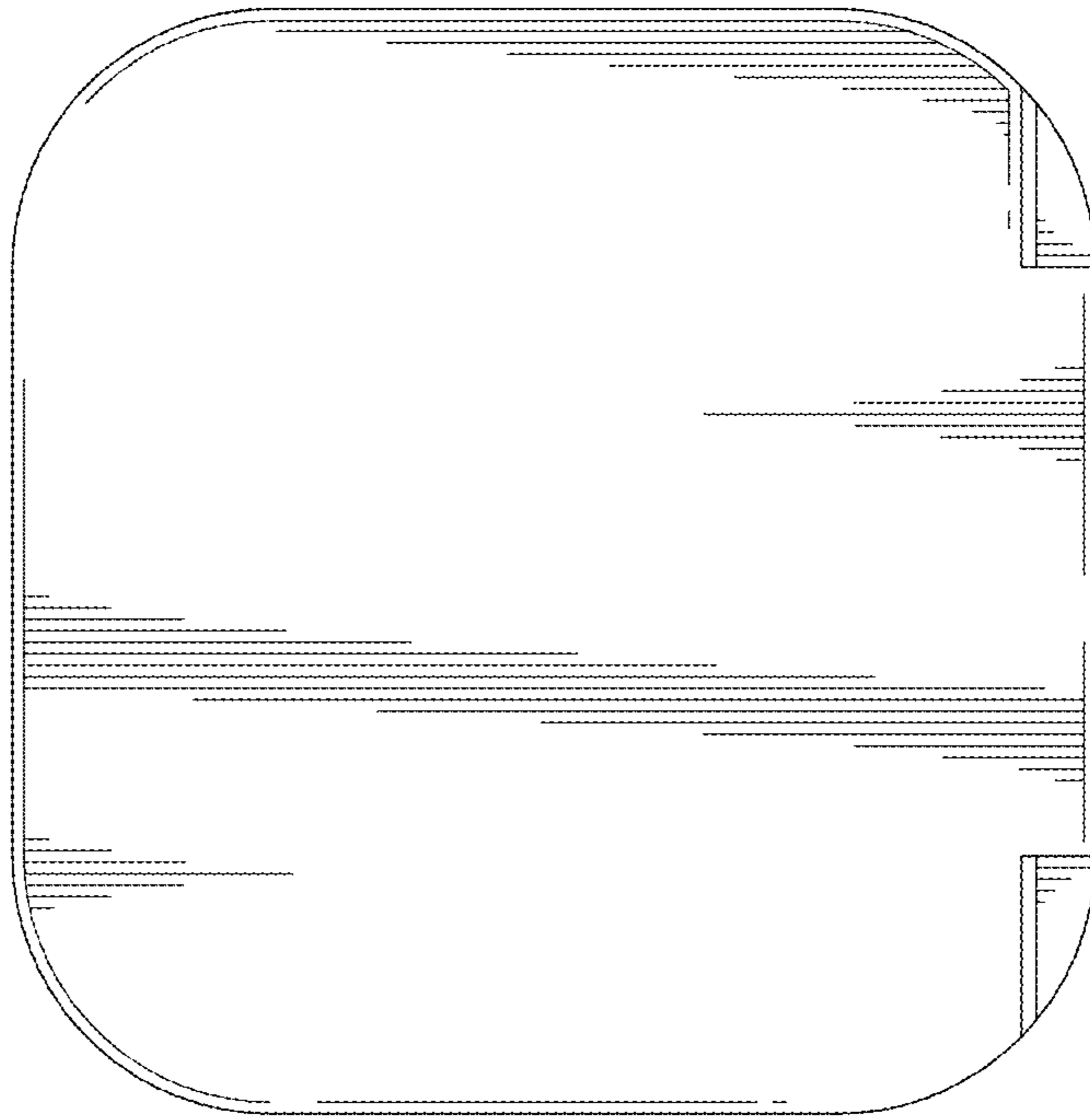


FIG. 34

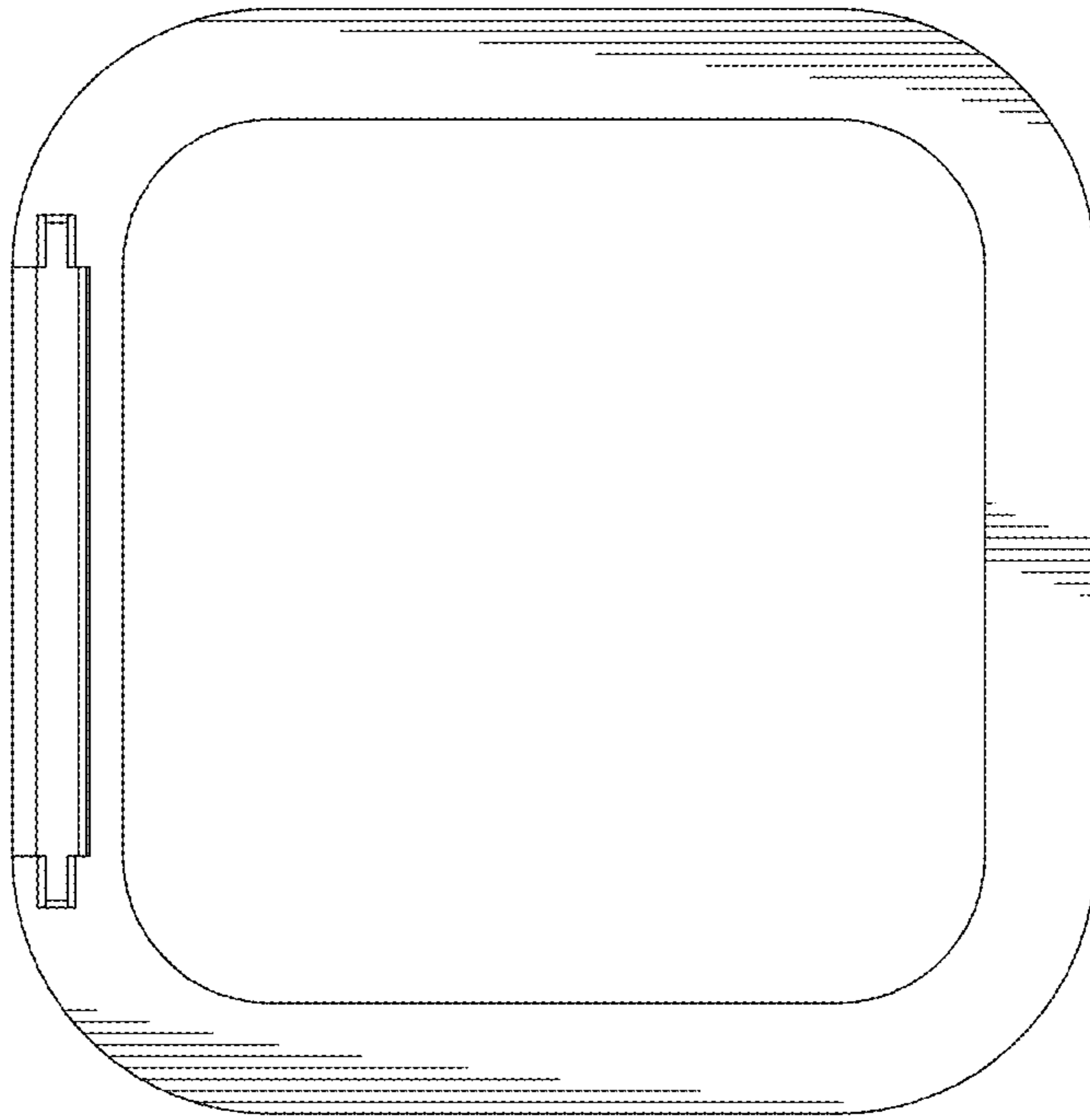


FIG. 35

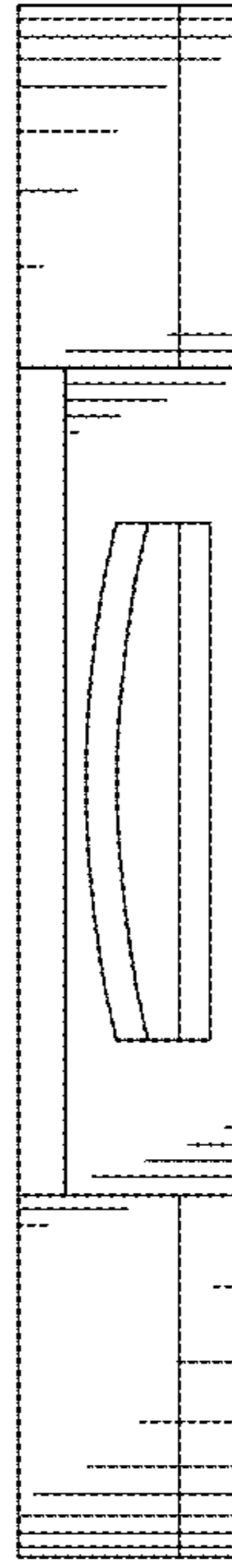


FIG. 36

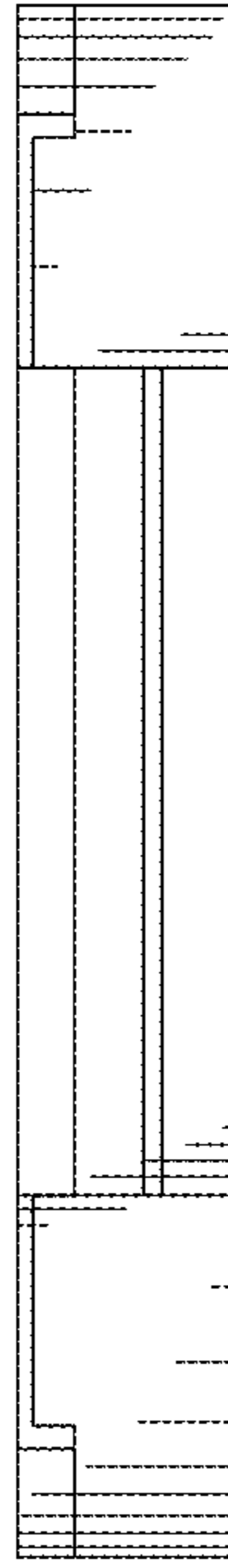


FIG. 37

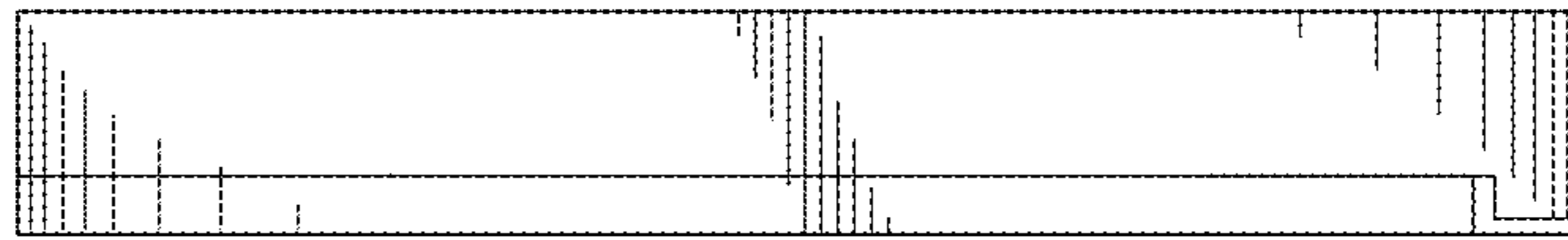


FIG. 38

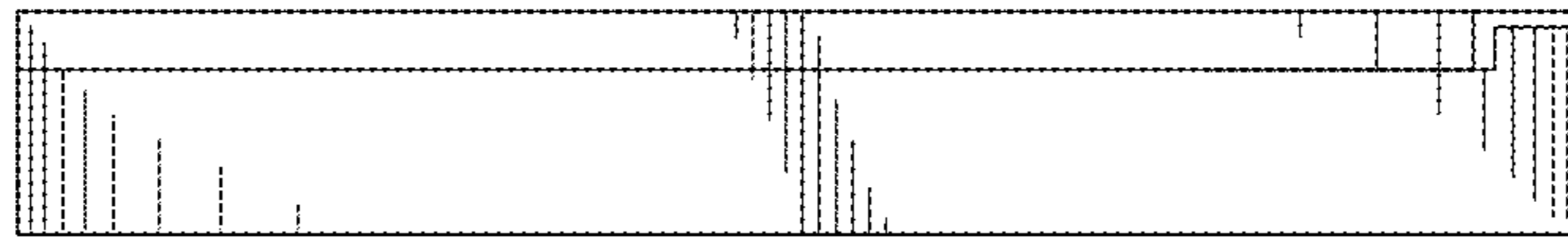


FIG. 39

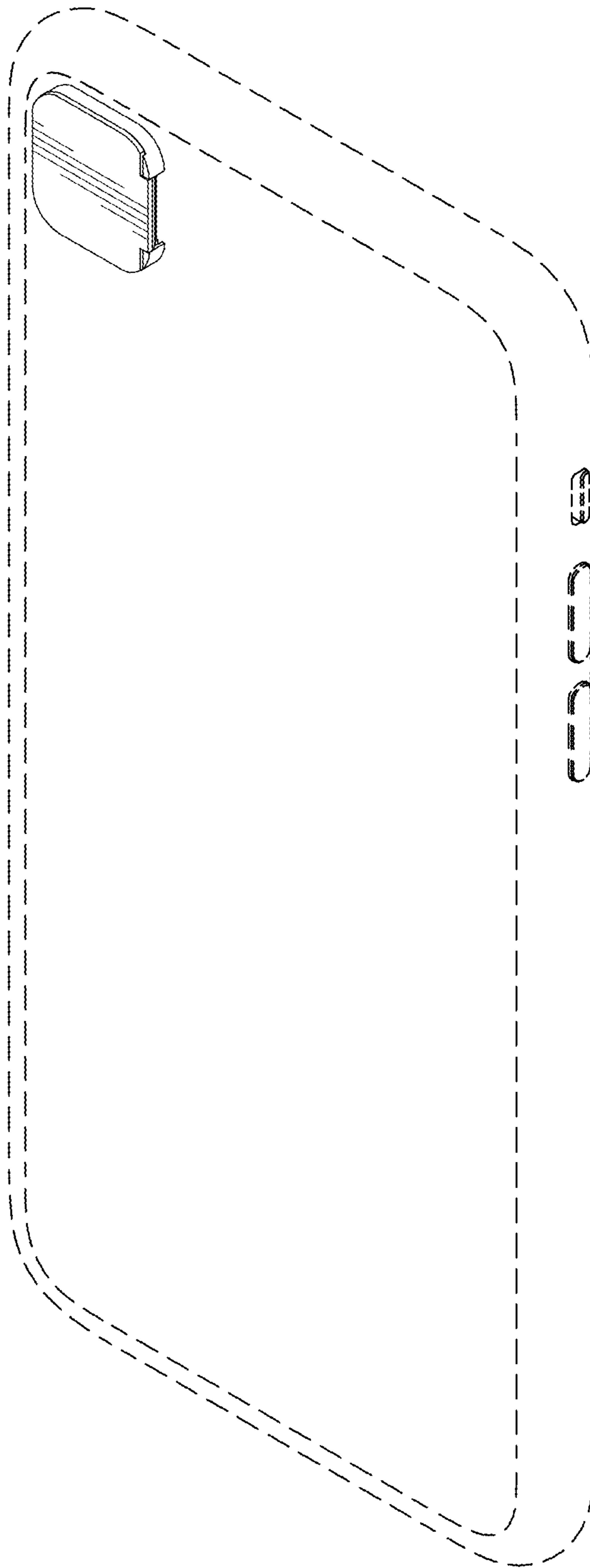


FIG. 40

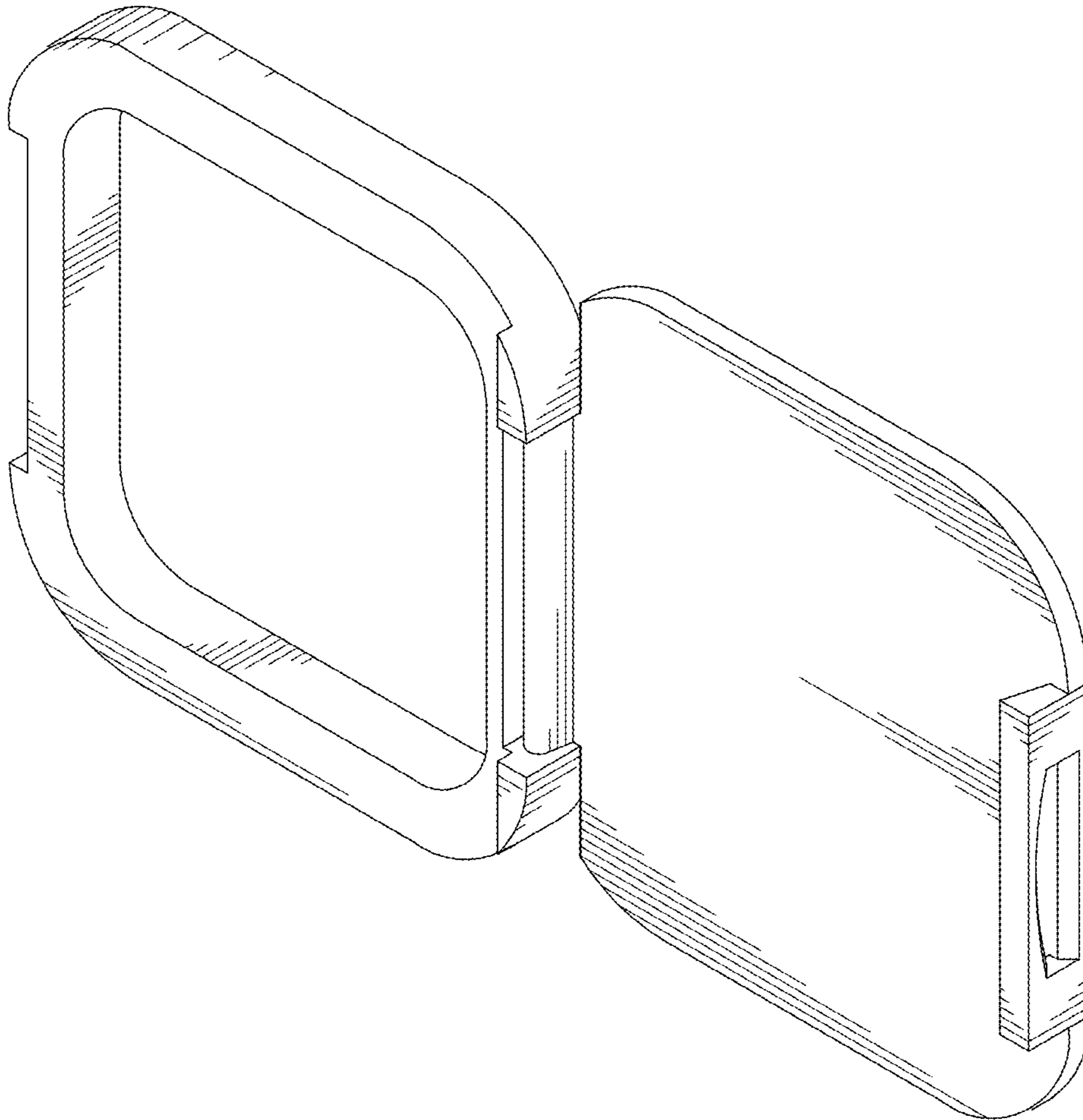


FIG. 41

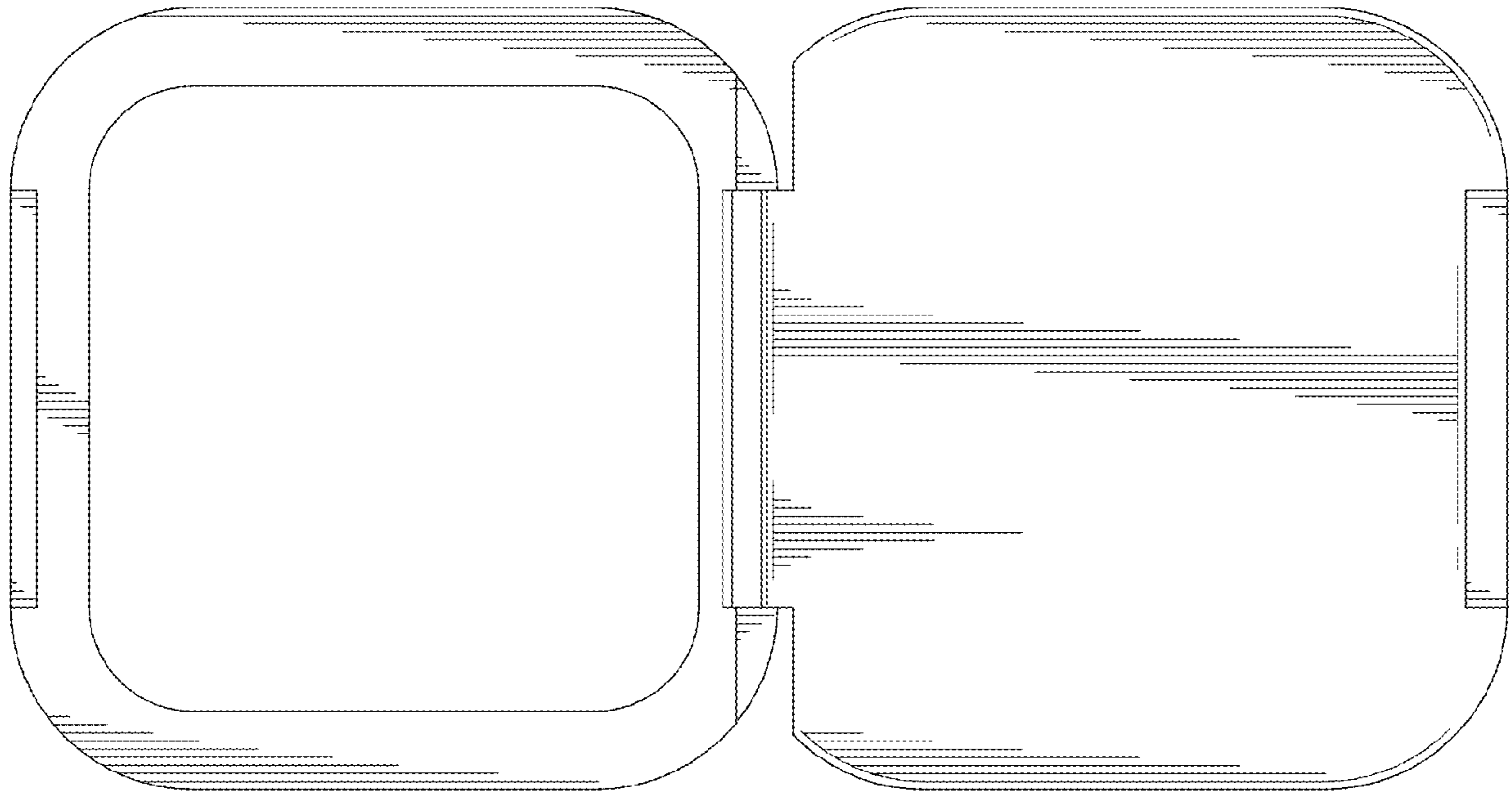


FIG. 42

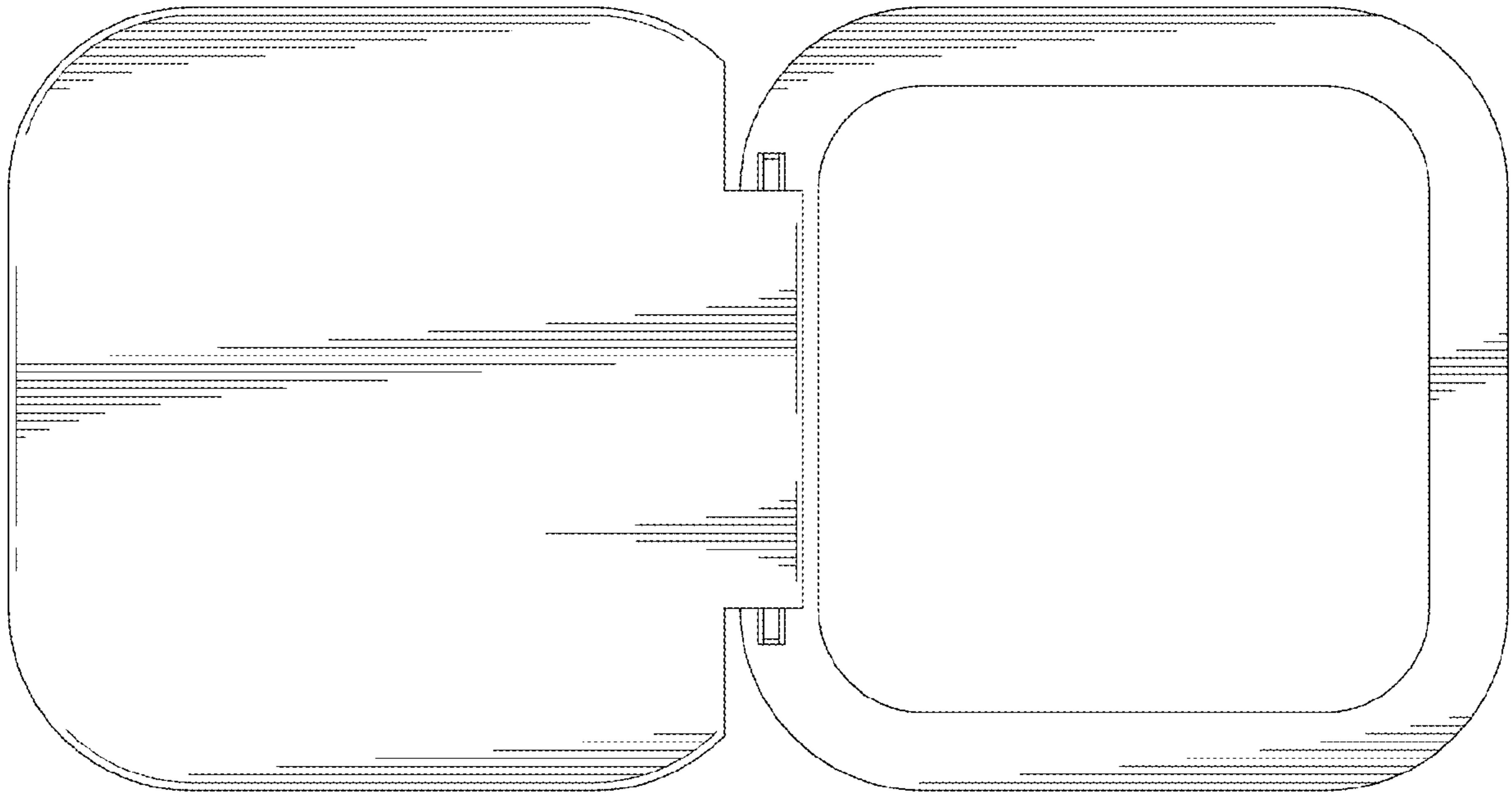


FIG. 43

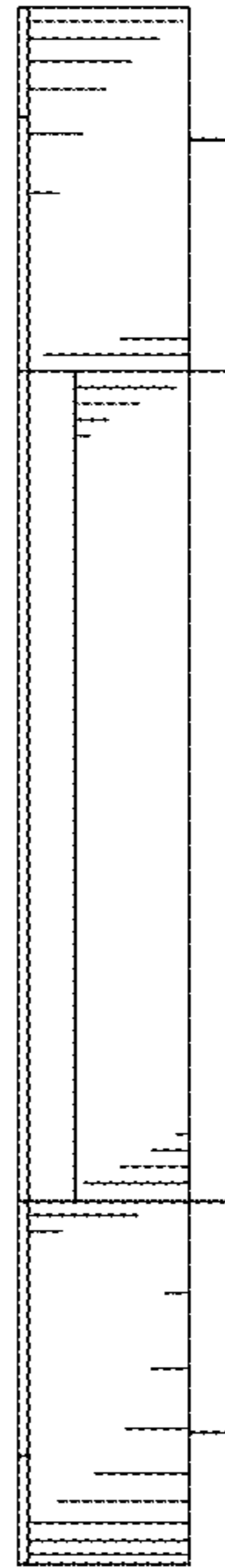


FIG. 44

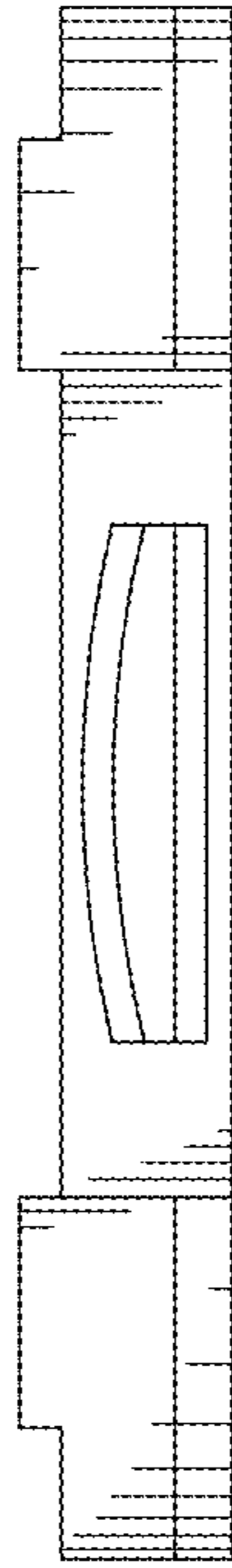


FIG. 45

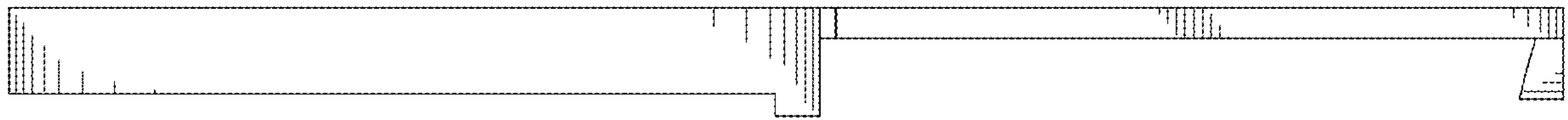


FIG. 46

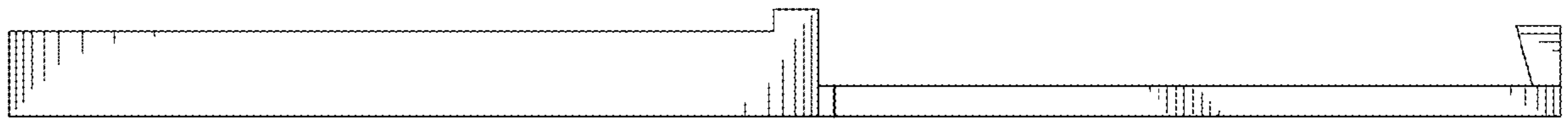


FIG. 47

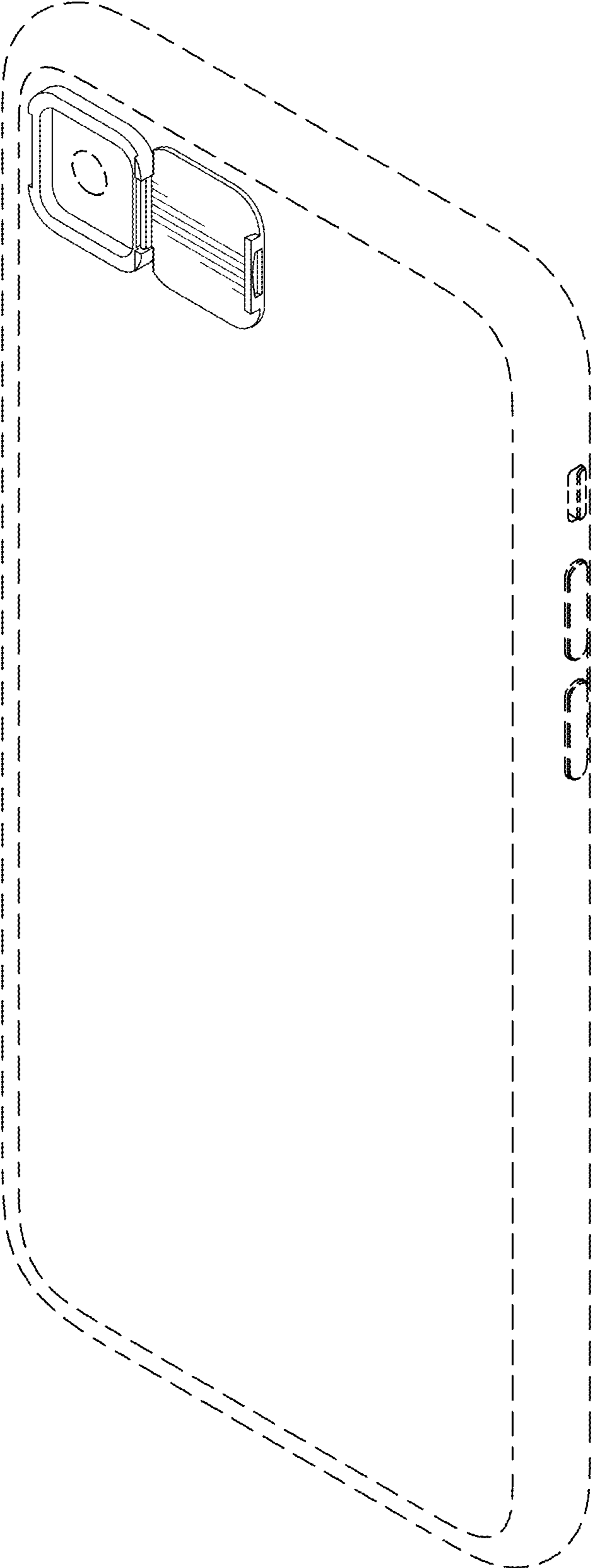


FIG. 48

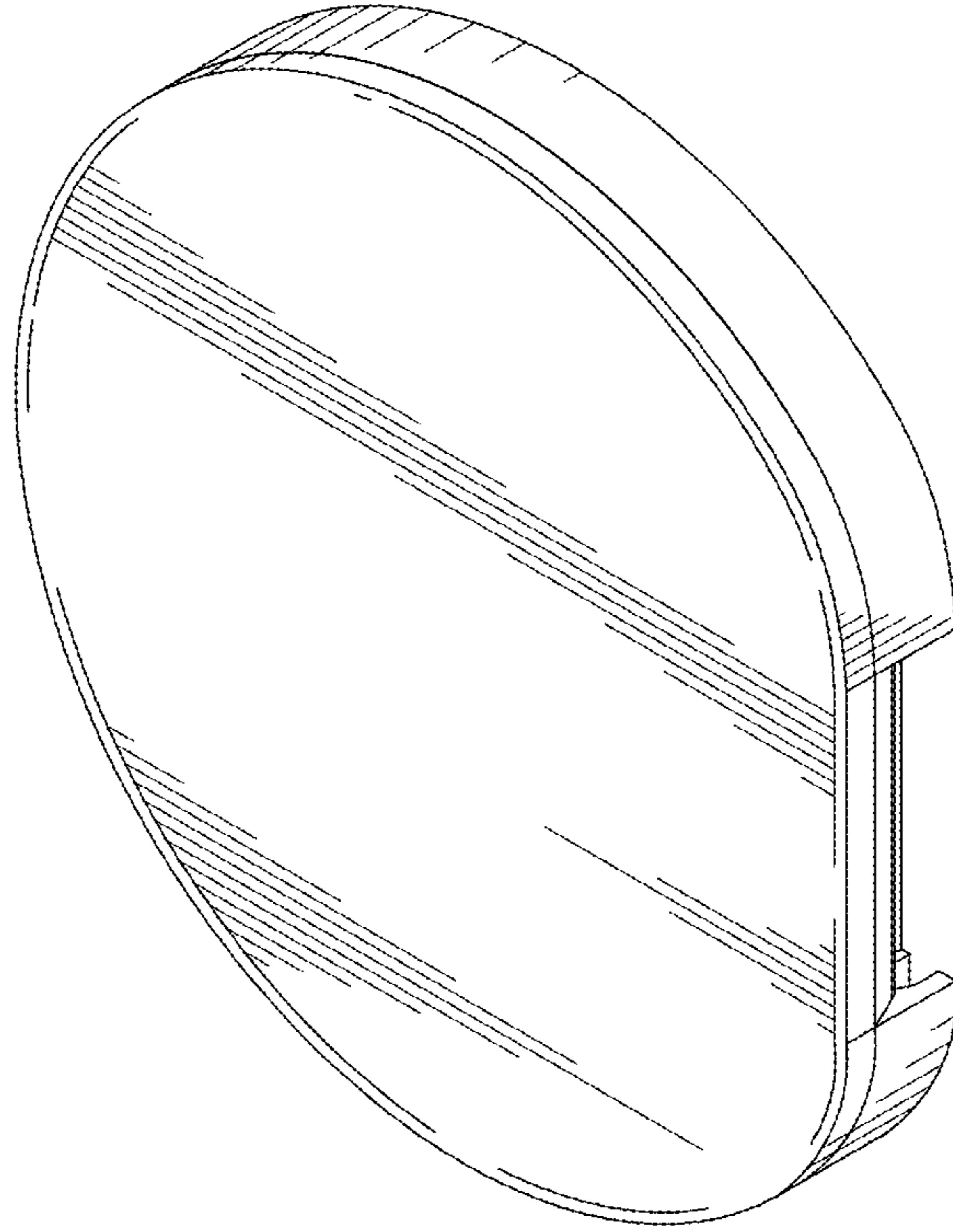


FIG. 49

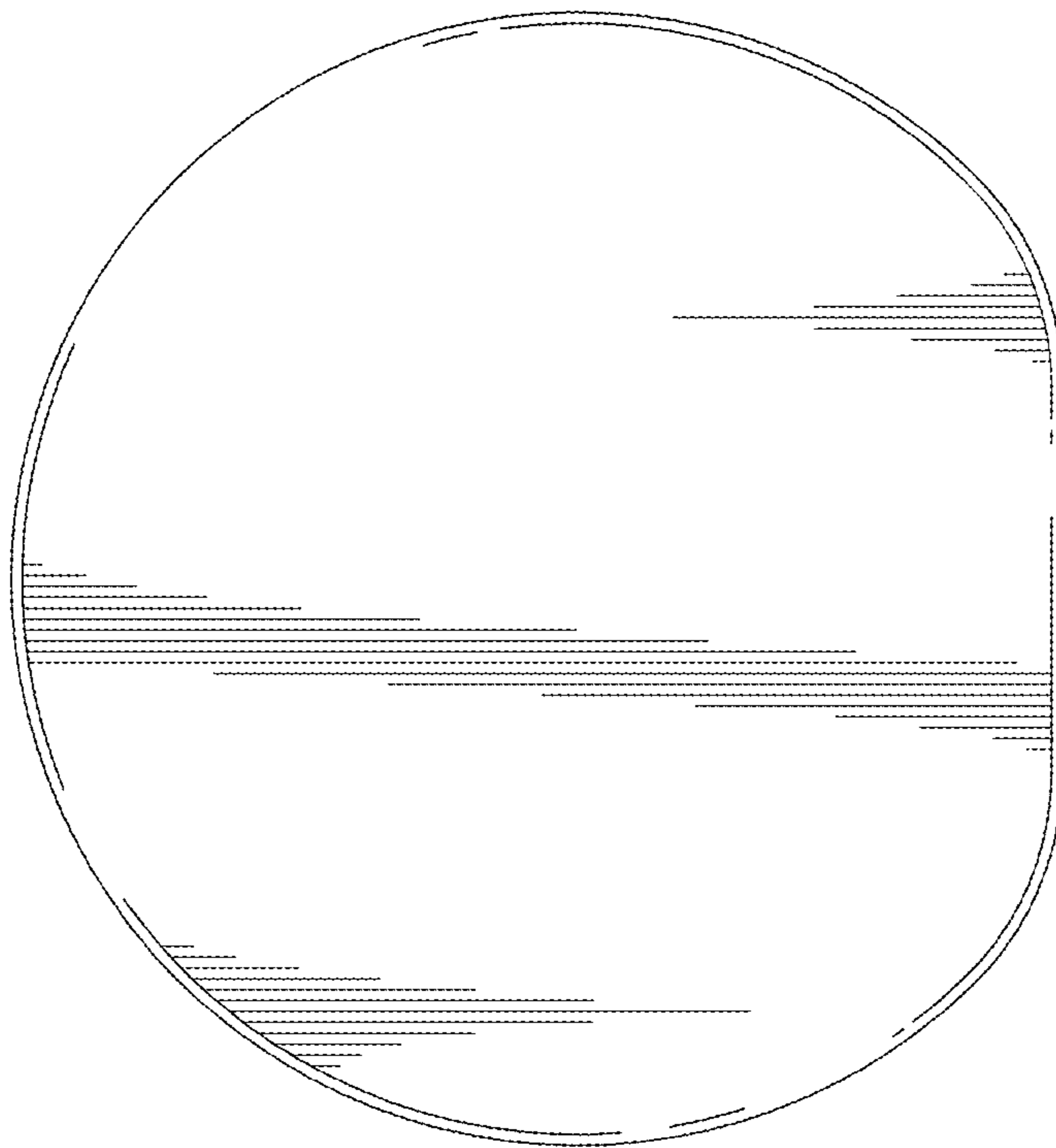


FIG. 50

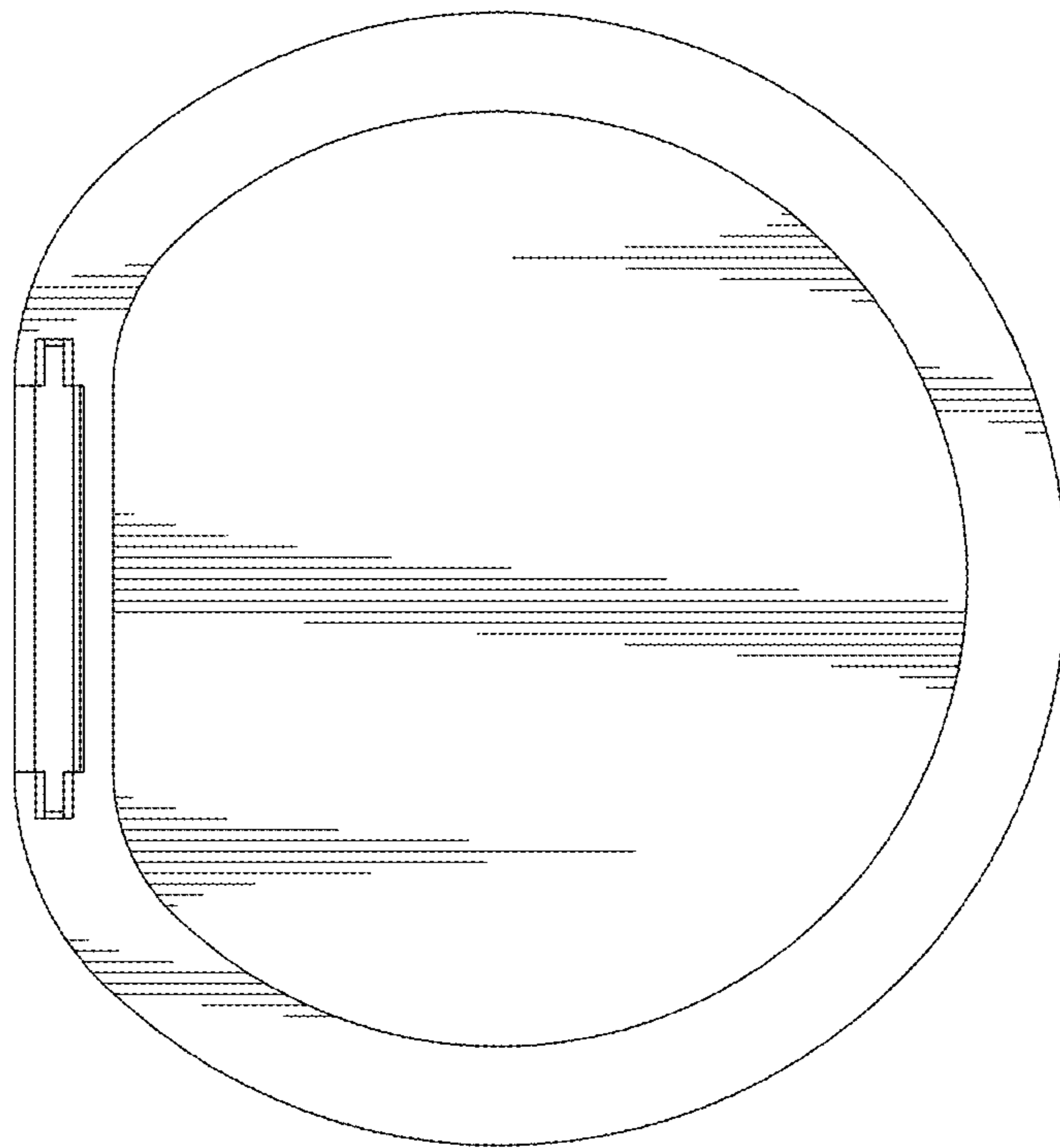


FIG. 51

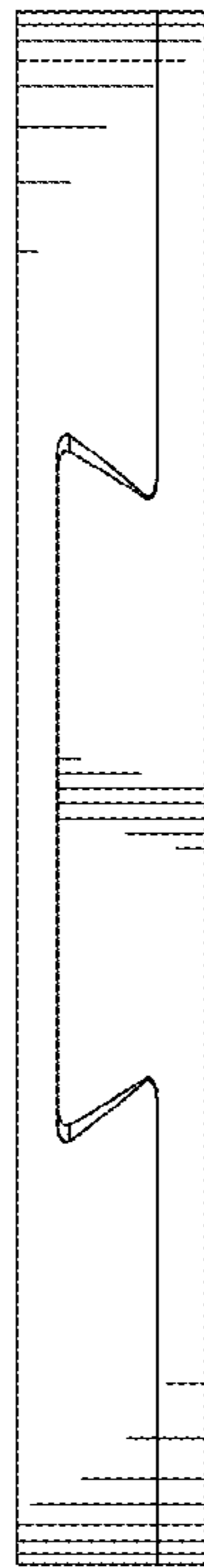


FIG. 52

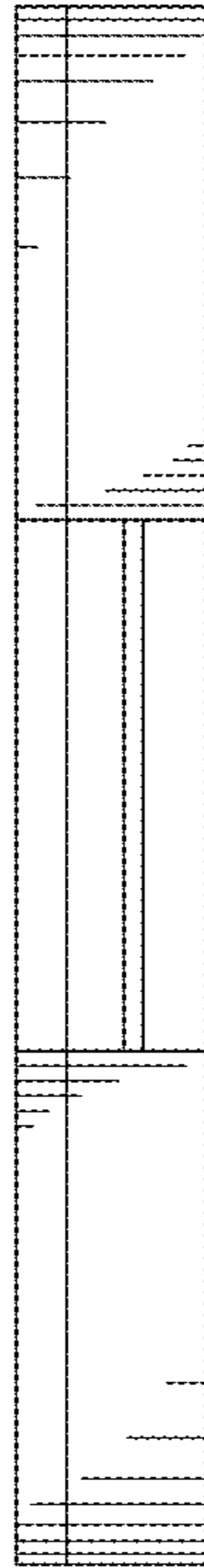


FIG. 53

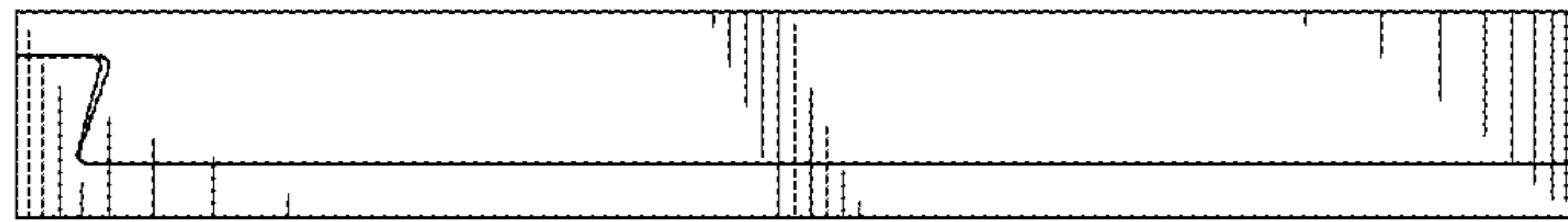


FIG. 54

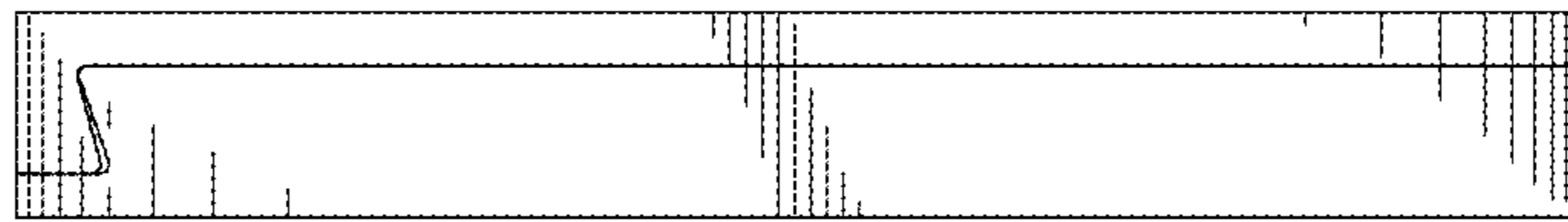


FIG. 55

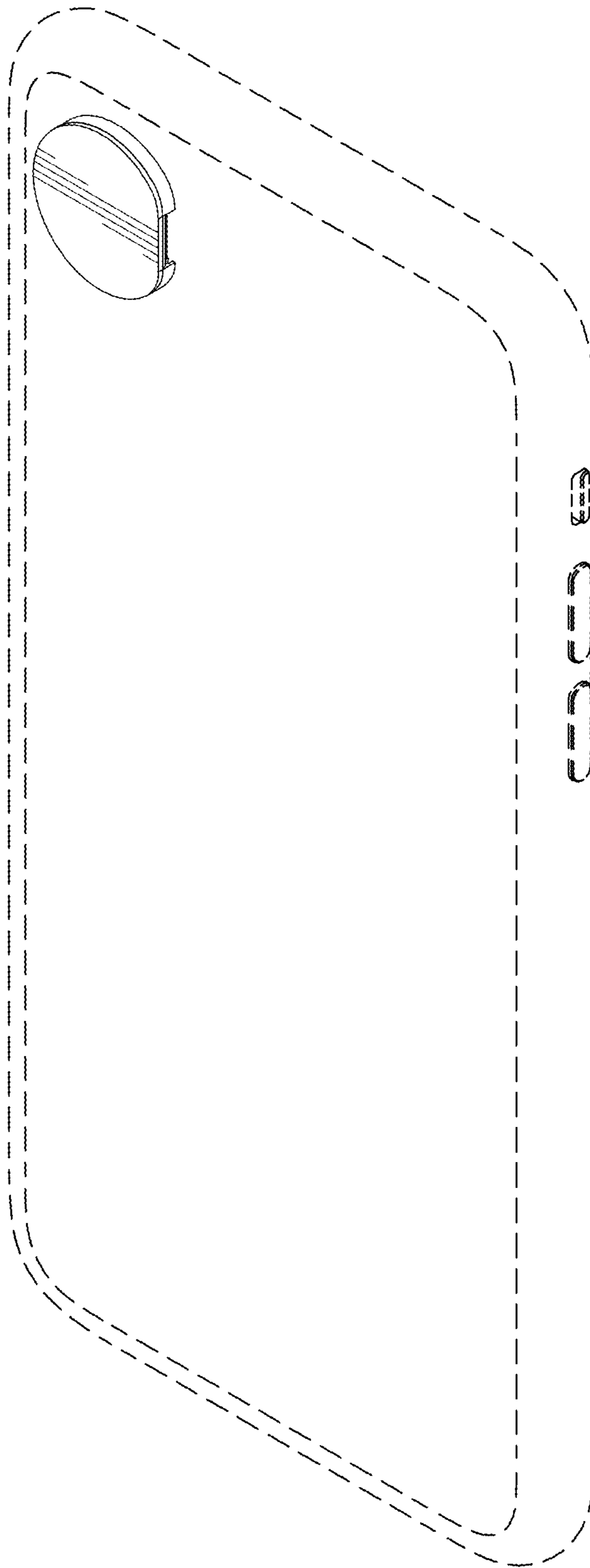


FIG. 56

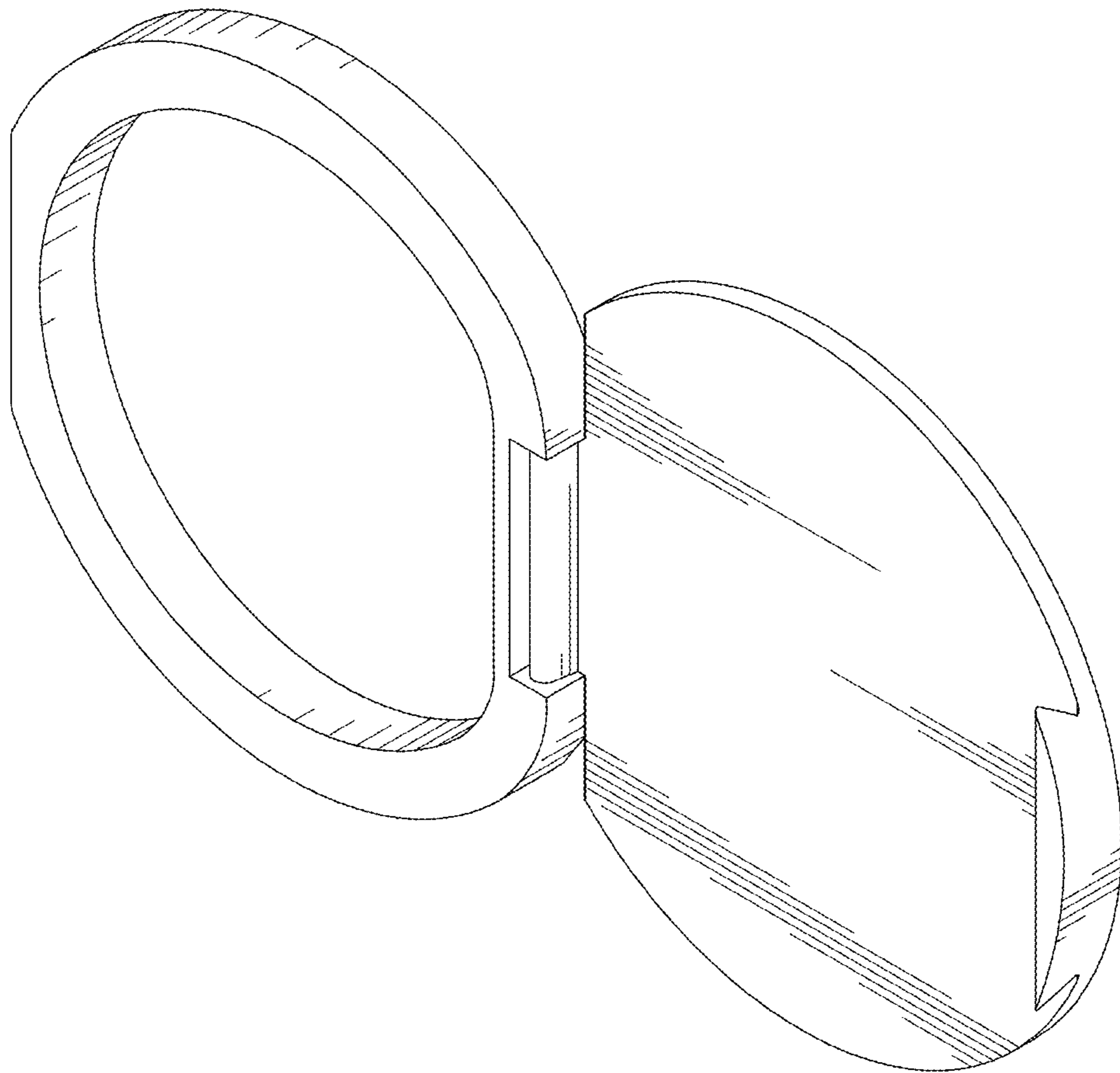


FIG. 57

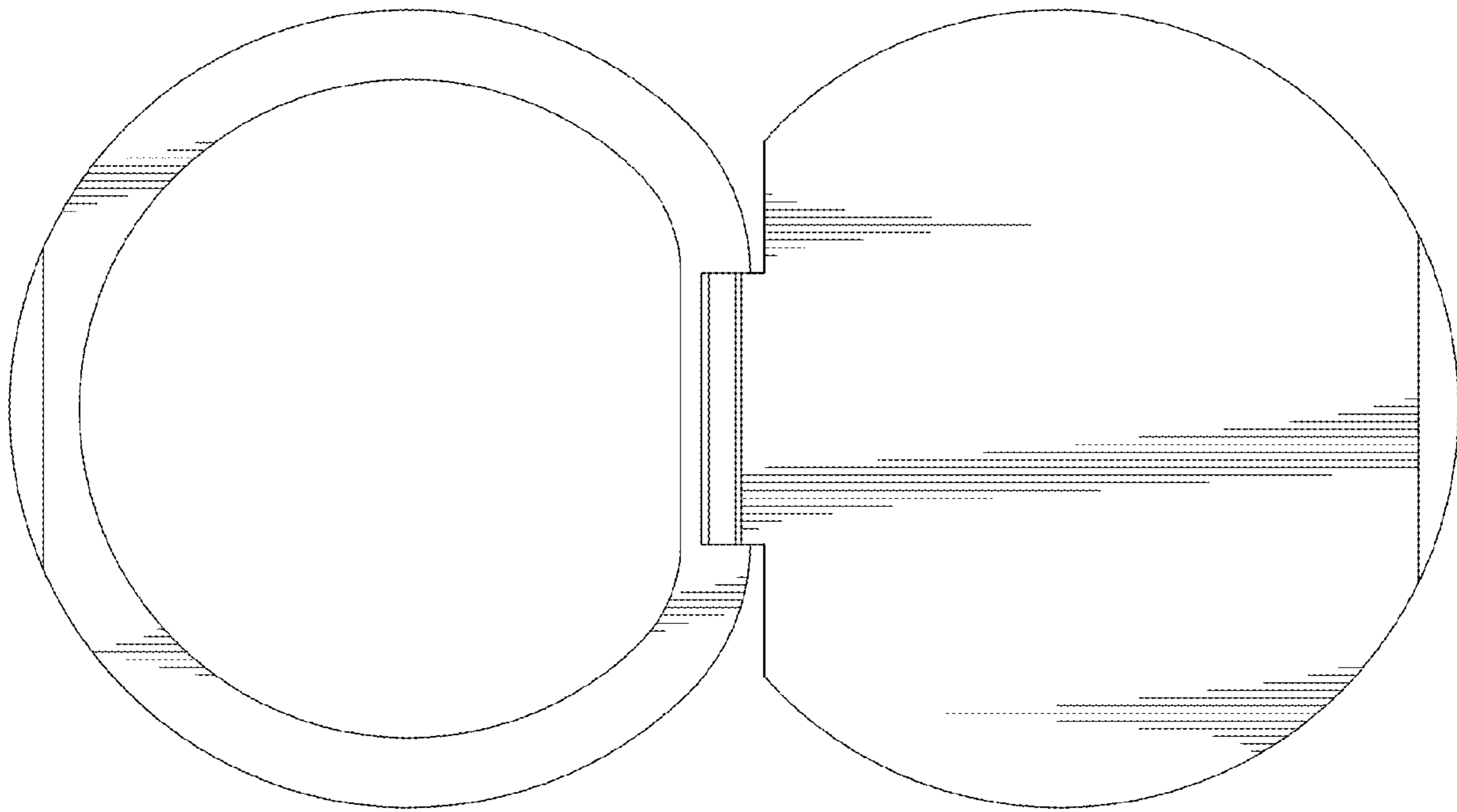


FIG. 58

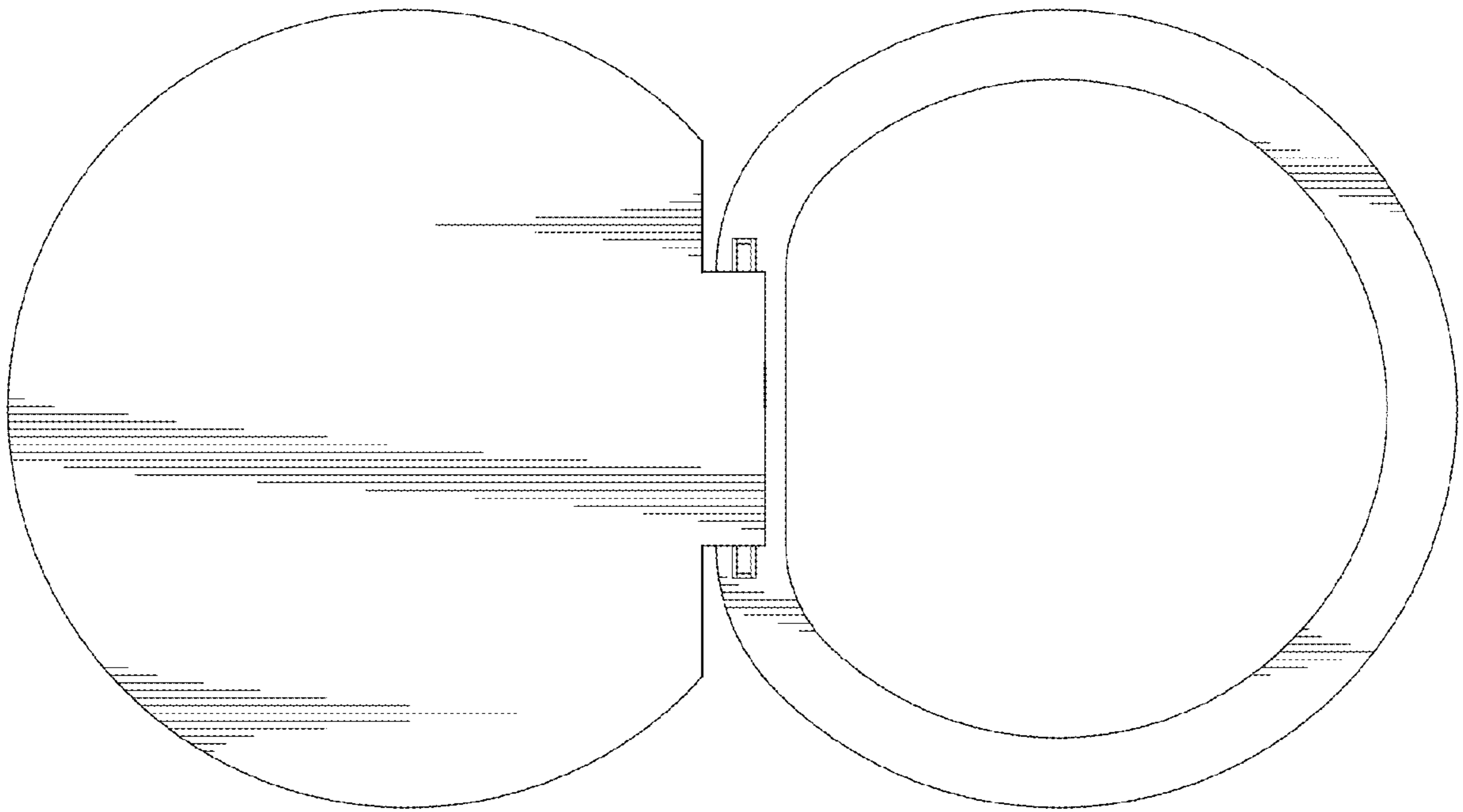


FIG. 59

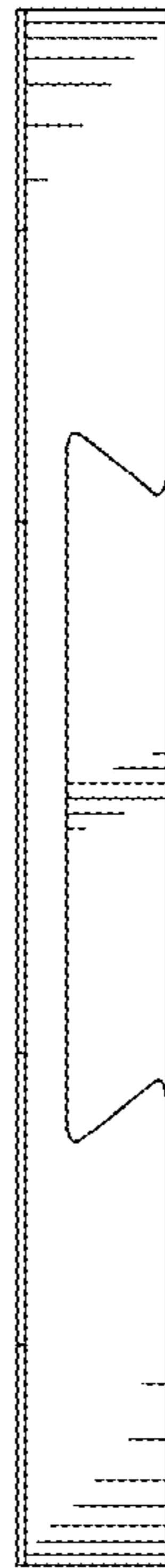


FIG. 60

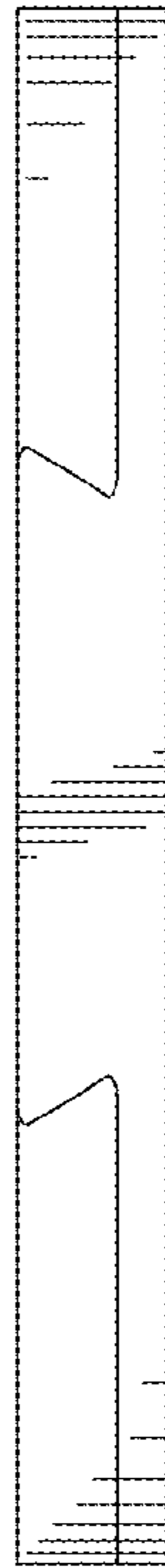


FIG. 61

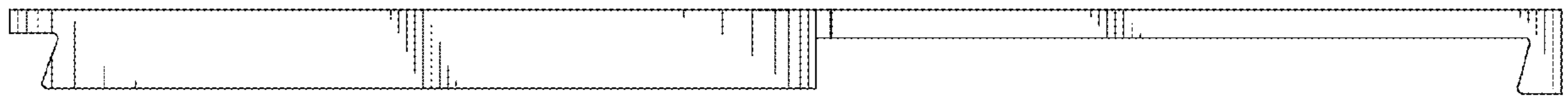


FIG. 62

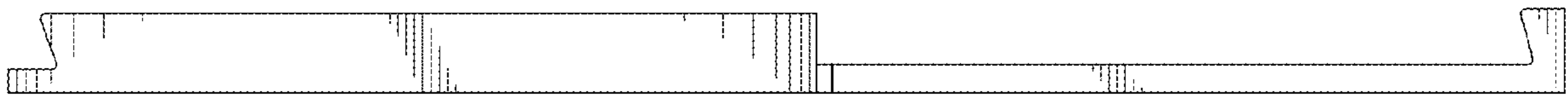


FIG. 63

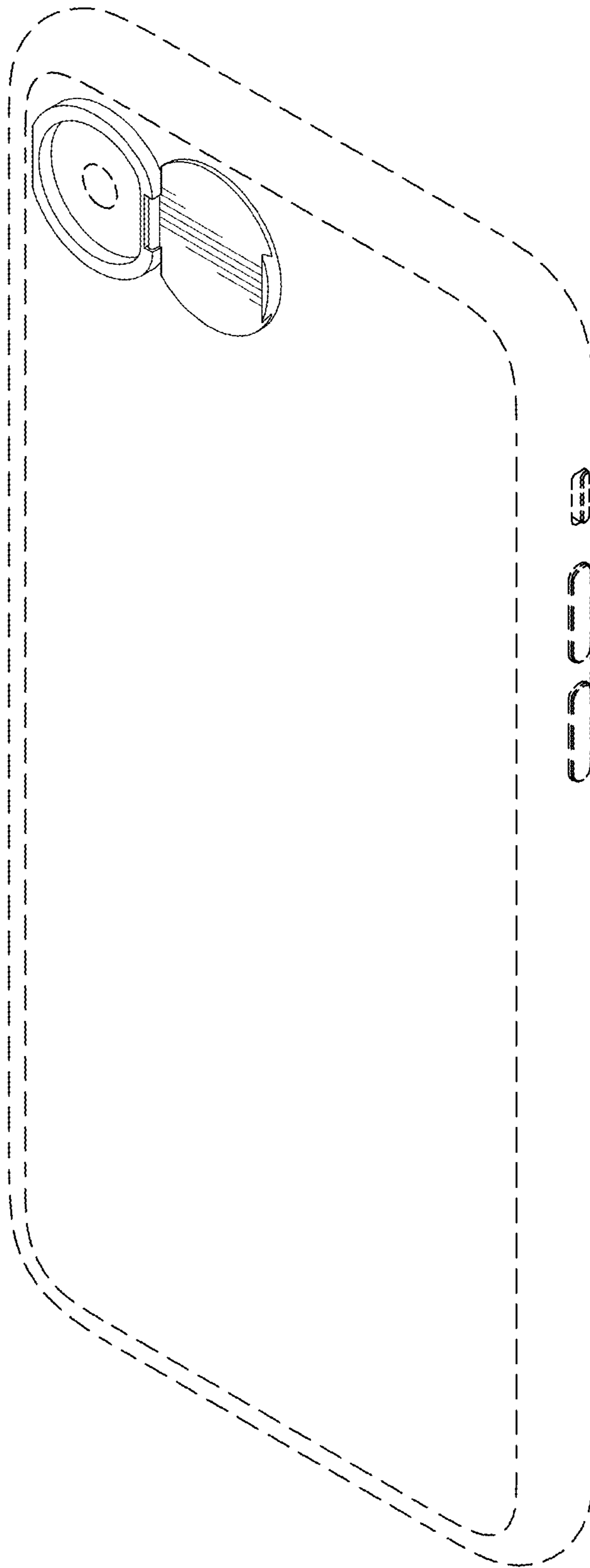


FIG. 64