



US00D886180S

(12) **United States Design Patent**
Minamikawa et al.

(10) **Patent No.:** **US D886,180 S**
(45) **Date of Patent:** **** Jun. 2, 2020**

(54) **CAMERA ACCESSORY**
(71) Applicant: **SONY CORPORATION**, Tokyo (JP)
(72) Inventors: **Tomotsugu Minamikawa**, Tokyo (JP);
Keita Okuda, Kanagawa (JP); **Kouji Shimizu**, Tokyo (JP); **Katsuyoshi Otsuka**, Ibaraki (JP)
(73) Assignee: **SONY CORPORATION**, Tokyo (JP)
(**) Term: **15 Years**

D560,702 S 1/2008 Tokiwa et al.
D593,334 S 6/2009 Gillette
D633,930 S * 3/2011 Dinger D16/202
D692,472 S 10/2013 Samuels et al.
D698,938 S * 2/2014 Fonseca B01L 3/5088
D24/224
D714,872 S 10/2014 Chung et al.
D717,856 S 11/2014 Slawson et al.
D732,009 S 6/2015 Bak
D747,379 S * 1/2016 Onruang D16/202
D748,746 S 2/2016 Eder
D764,567 S 8/2016 Bennett et al.
D766,886 S 9/2016 Lee

(Continued)

(21) Appl. No.: **29/655,324**
(22) Filed: **Jul. 2, 2018**

Primary Examiner — Susan Bennett Hattan
Assistant Examiner — Omeed Agilee
(74) *Attorney, Agent, or Firm* — Michael Best and Friedrich LLP

Related U.S. Application Data

(63) Continuation of application No. 29/569,841, filed on Jun. 30, 2016, now Pat. No. Des. 822,090.

Foreign Application Priority Data

Mar. 29, 2016 (JP) D2016-006835
Mar. 29, 2016 (JP) D2016-006836

(51) **LOC (12) Cl.** **16-05**

(52) **U.S. Cl.**
USPC **D16/237**

(58) **Field of Classification Search**
USPC D16/200, 204, 208, 213–219, 235,
D16/237–250; D14/217, 229, 250–253,
D14/218, 480.1, 480.2, 480.3, 480.4,
D14/480.5, 480.7; D10/30, 38, 39
CPC .. G03B 17/02–04; G03B 17/14; G03B 17/56;
G03B 17/561–568; G02B 7/00–002
See application file for complete search history.

(56) **References Cited**

U.S. PATENT DOCUMENTS

5,852,519 A 12/1998 Do et al.
D435,541 S 12/2000 Kataoka et al.

(57) **CLAIM**

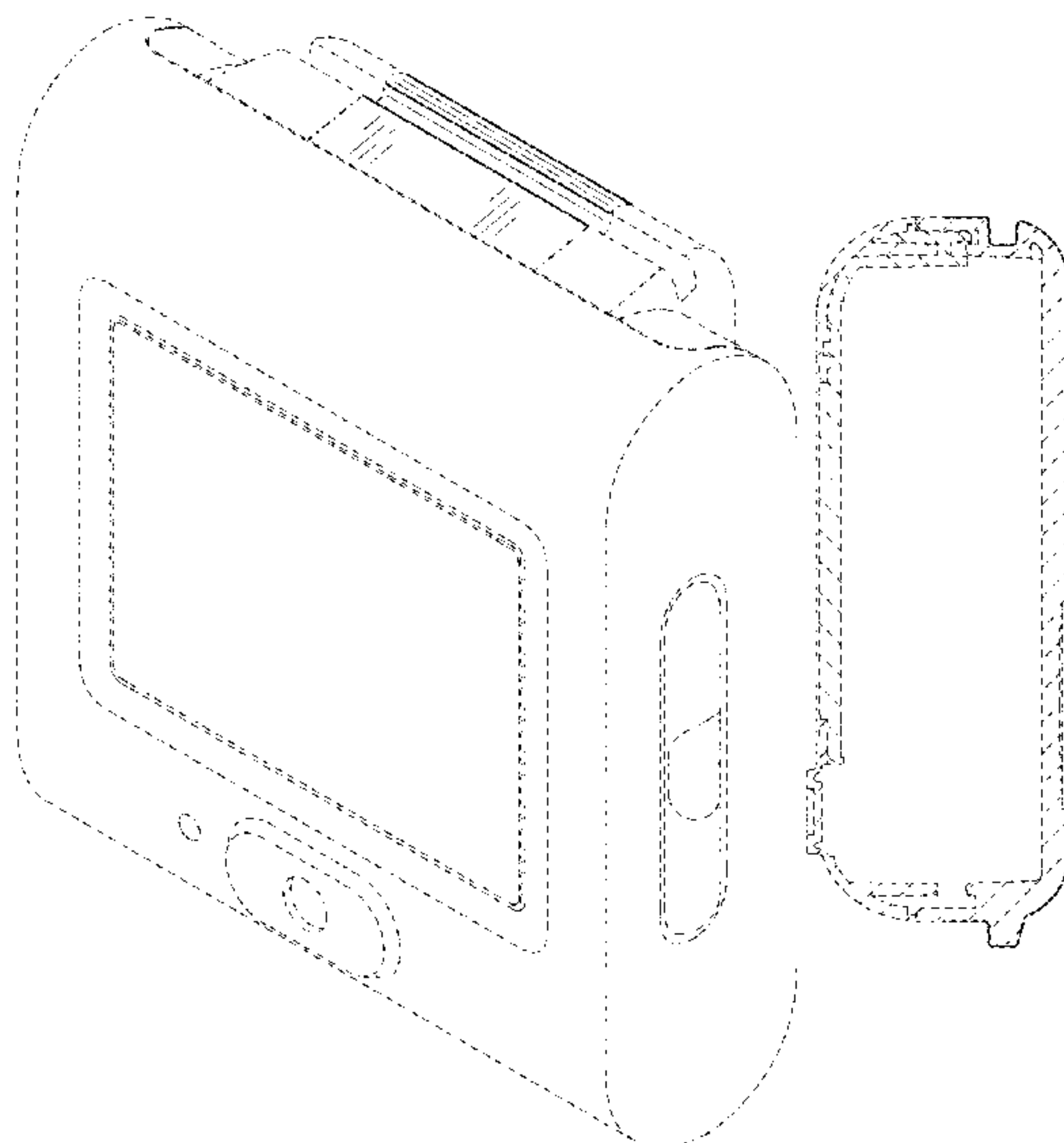
The ornamental design for a camera accessory, as shown and described.

DESCRIPTION

FIG. 1 is a front, top, right perspective view of a camera accessory, namely, a remote controller, showing our new design;
FIG. 2 is a rear, bottom, left perspective view thereof;
FIG. 3 is a front elevational view thereof;
FIG. 4 is a rear elevational view thereof;
FIG. 5 is a top plan view thereof; and
FIG. 6 is a bottom plan view thereof; and,
FIG. 7 is a cross sectional view thereof cut along the line 7-7 of FIG. 3.

The evenly spaced broken lines depict portions of the camera accessory that form no part of the claimed design. The dot-dash broken lines depict the boundaries of the claim and form no part thereof.

1 Claim, 6 Drawing Sheets



(56)

References Cited

U.S. PATENT DOCUMENTS

D770,343 S	11/2016	Hult	
D770,344 S	11/2016	Hult et al.	
D770,345 S	11/2016	Hutt	
D797,836 S *	9/2017	Li	D16/218
D806,777 S *	1/2018	Nohechi	D16/235
D820,987 S *	6/2018	Tam	D24/163
D822,090 S *	7/2018	Minamikawa	D16/237
D831,725 S *	10/2018	Meneses	D16/208
D844,630 S *	4/2019	Sawai	D14/479
D849,078 S *	5/2019	Girotti	D16/202

* cited by examiner

FIG.1

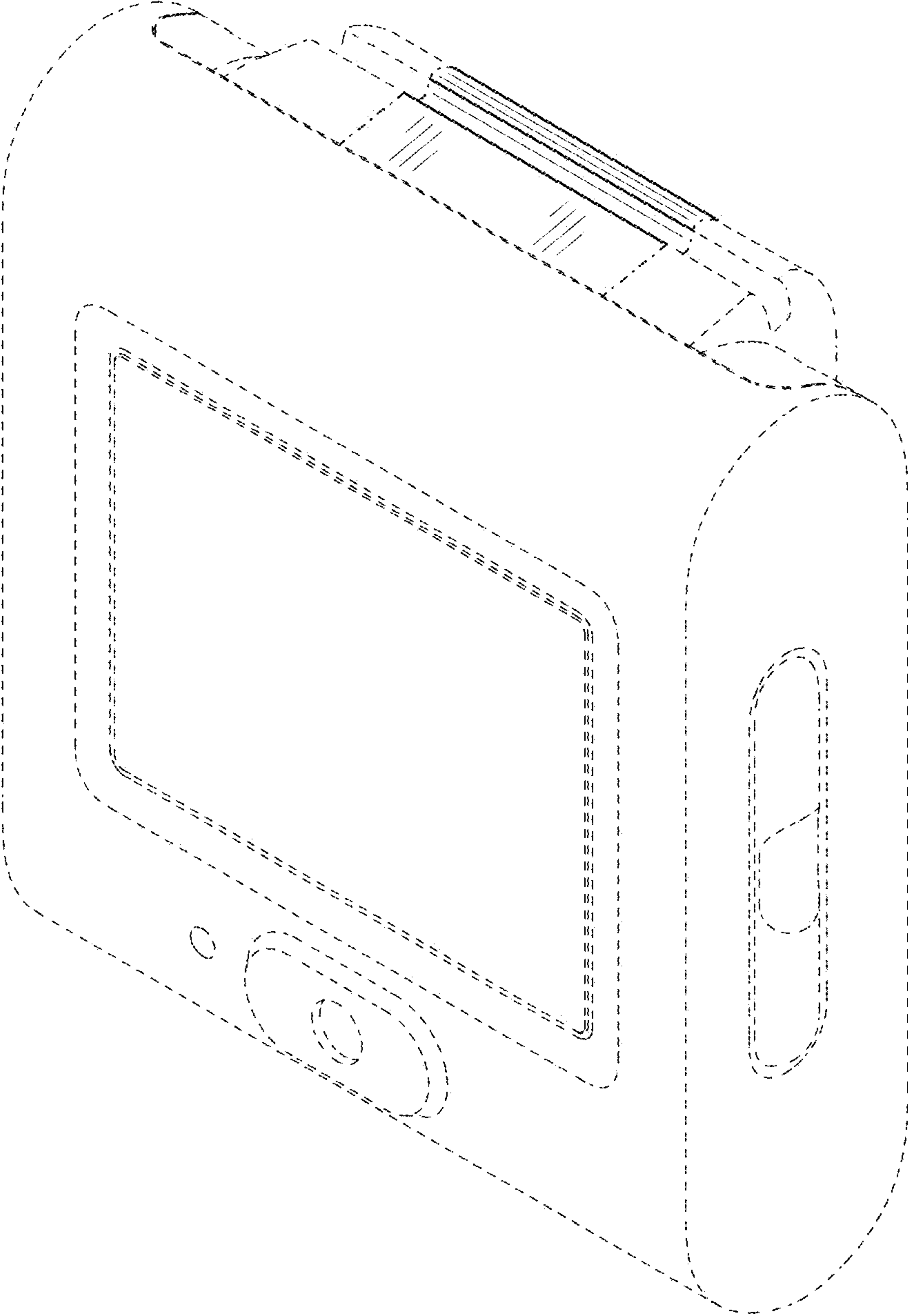


FIG.2

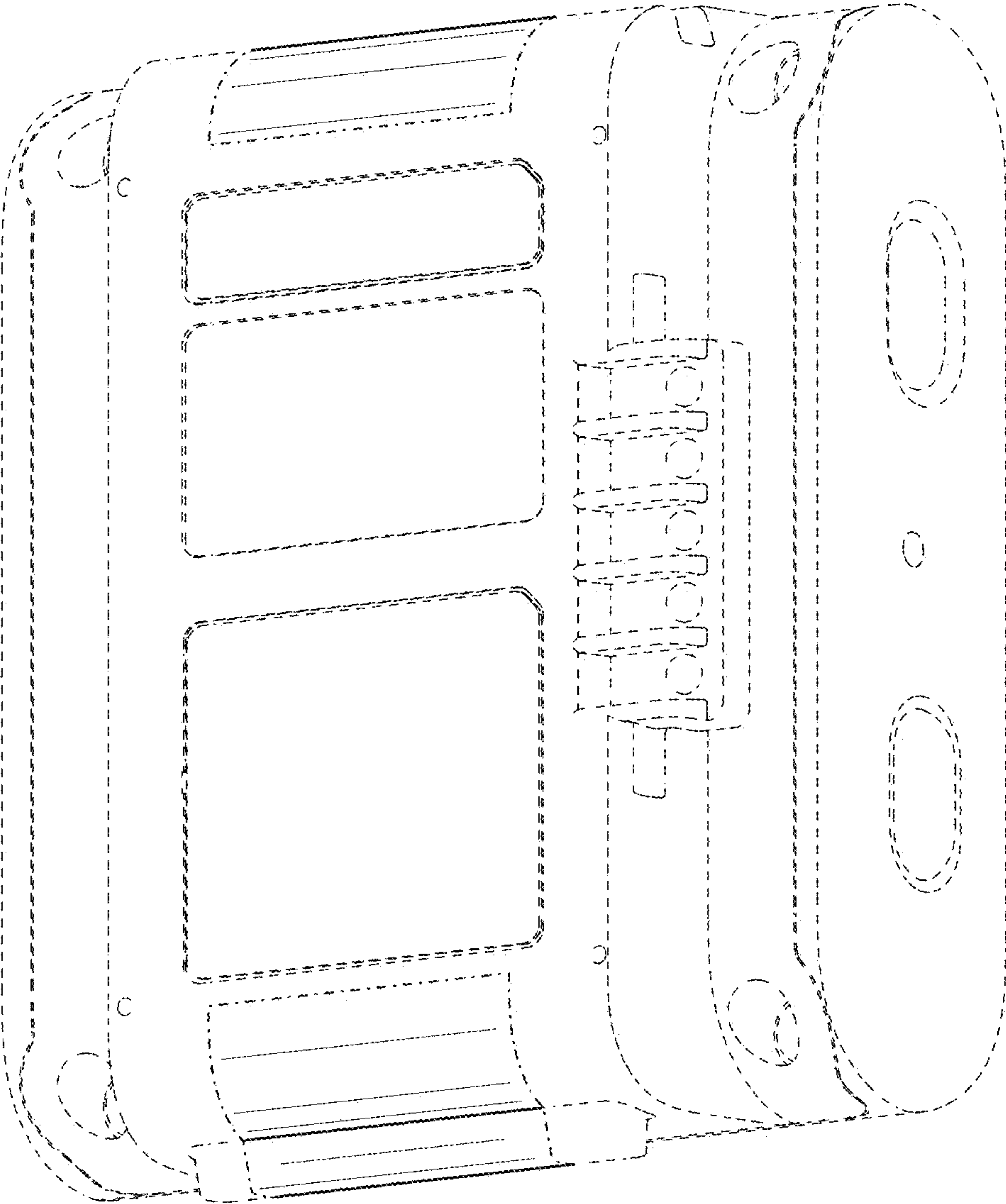
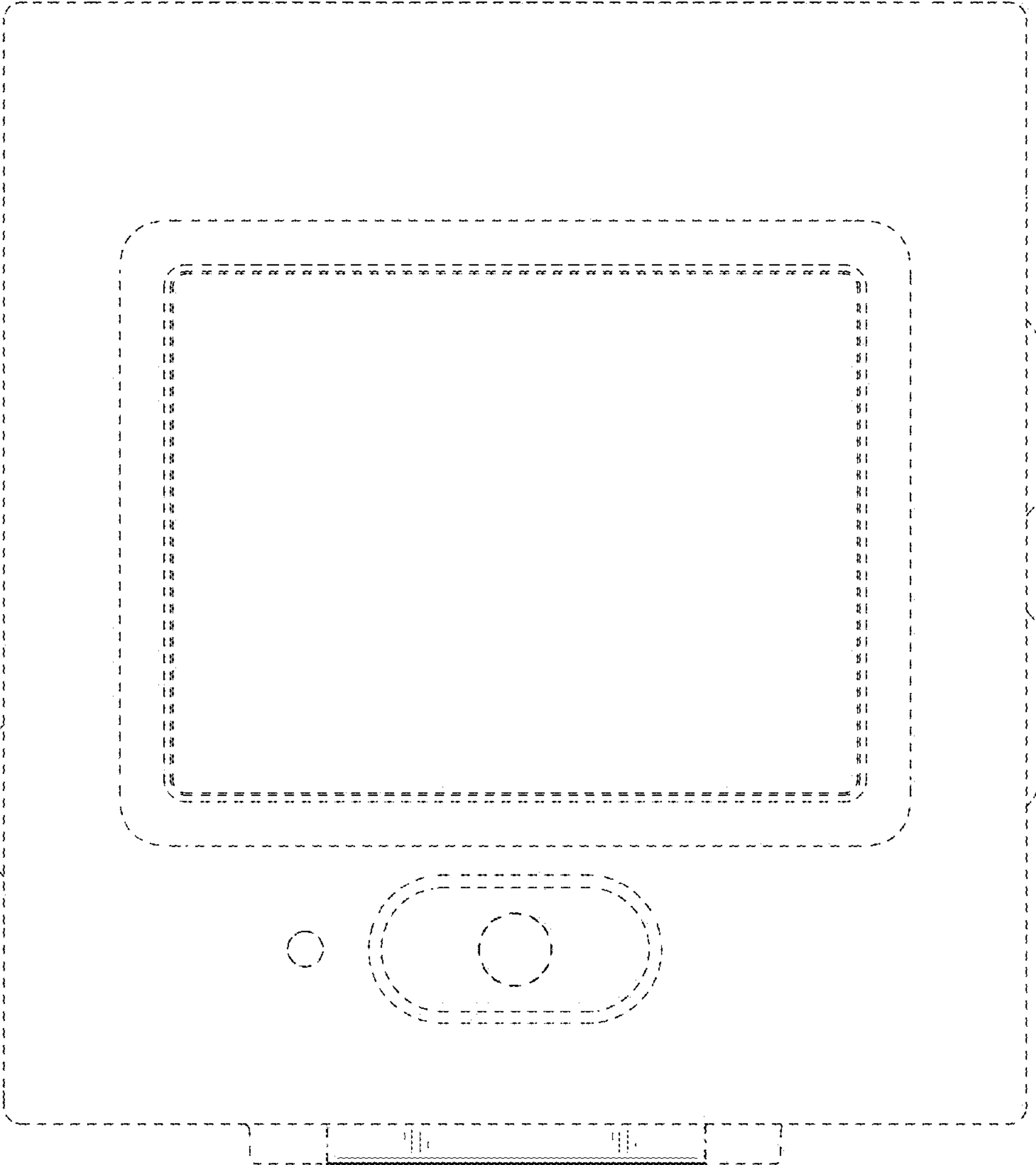


FIG.3

7←



7←

FIG.4

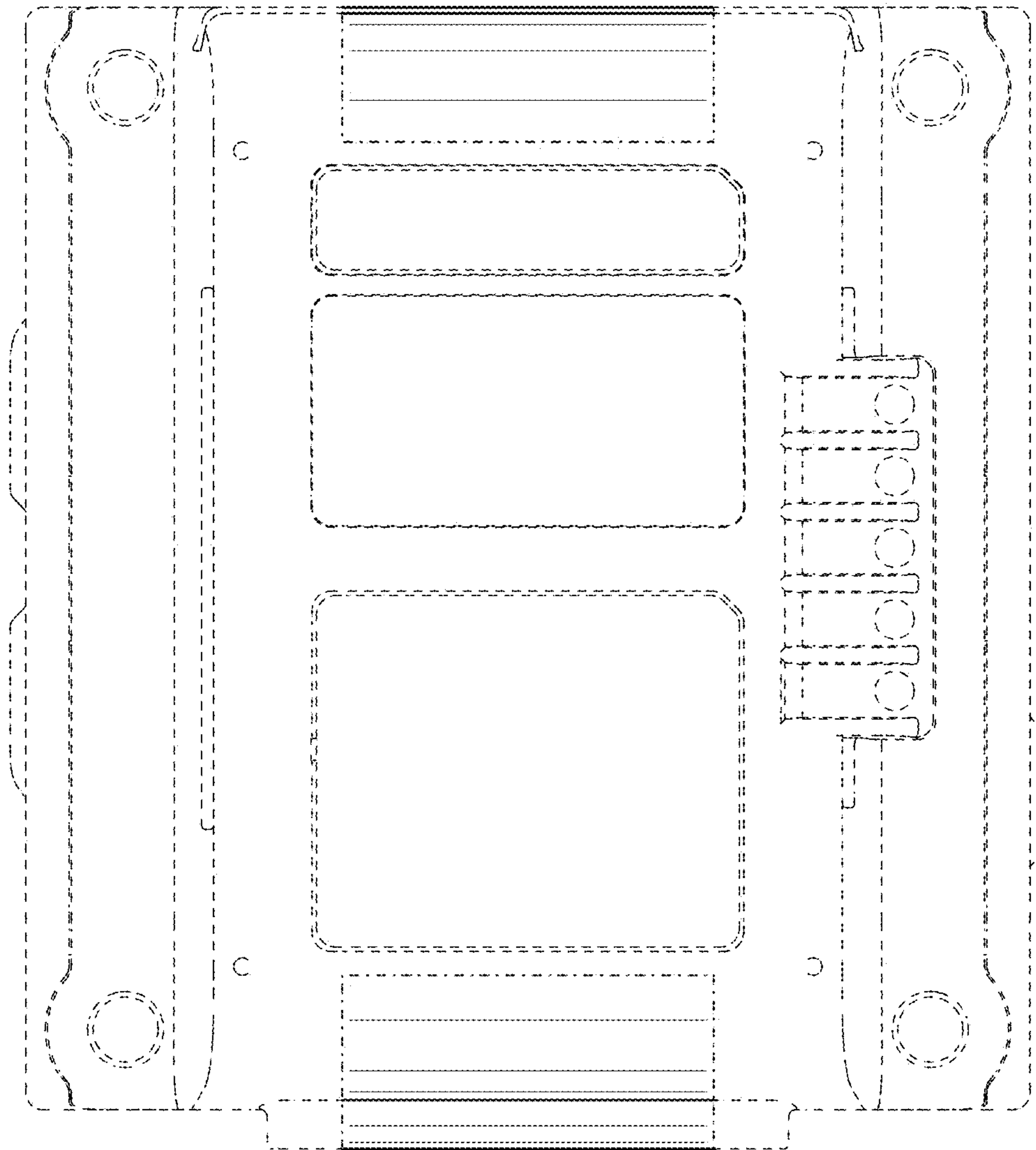


FIG.5

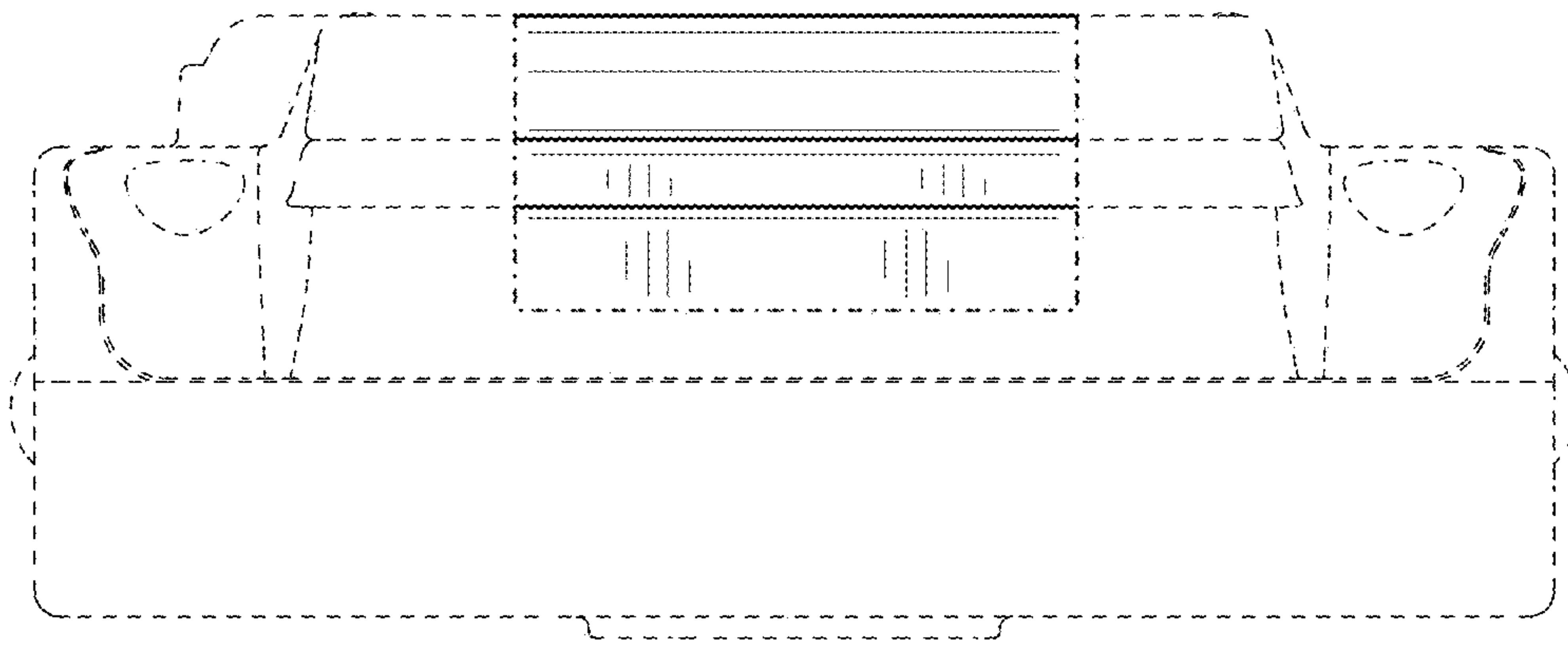


FIG.6

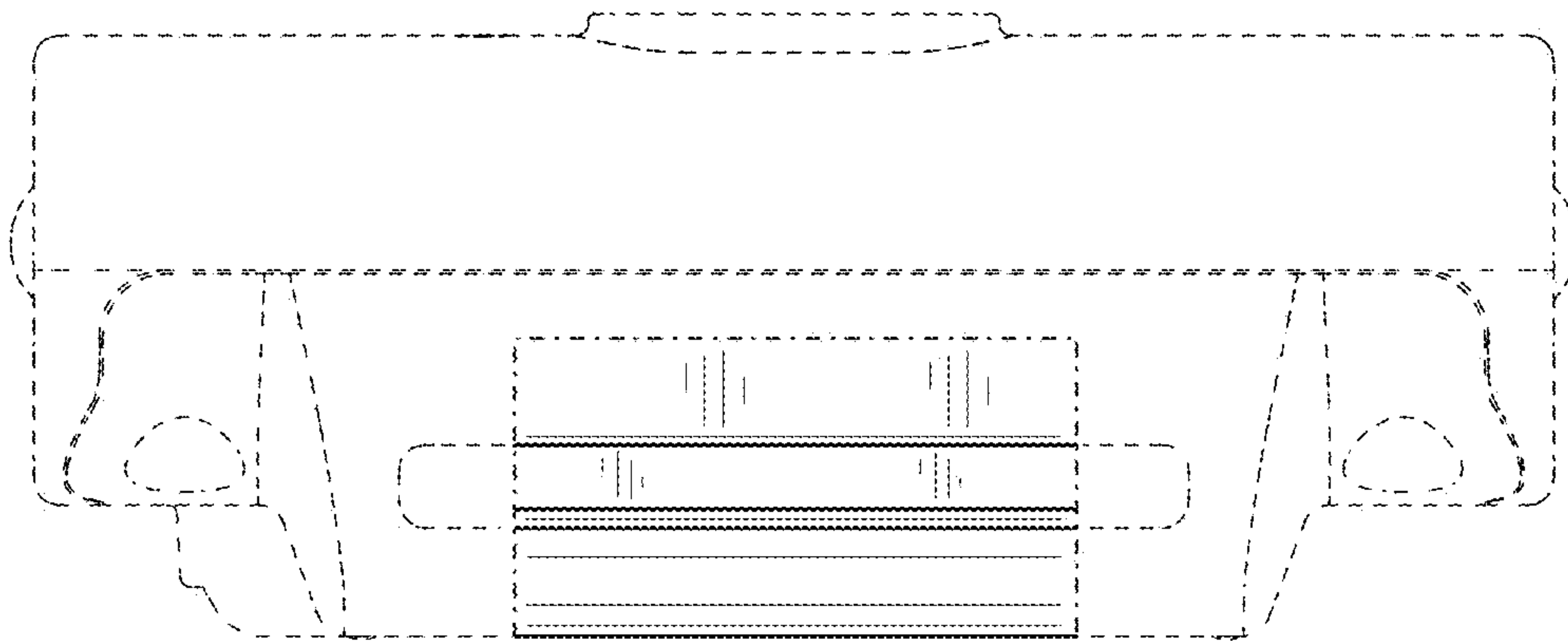


FIG. 7

