



US00D886177S

(12) **United States Design Patent**
Ramones et al.

(10) **Patent No.:** **US D886,177 S**
(45) **Date of Patent:** **** Jun. 2, 2020**

(54) **CAMERA**

(71) Applicant: **Arlo Technologies, Inc.**, Carlsbad, CA (US)

(72) Inventors: **John Kui Yin Ramones**, San Ramon, CA (US); **Christopher Vincent Fonzo**, Carlsbad, CA (US); **Beau Oyler**, Walnut Creek, CA (US); **Dayne Nathaniel Tanner**, Concord, CA (US)

(73) Assignee: **Arlo Technologies, Inc.**, Carlsbad, CA (US)

(**) Term: **15 Years**

(21) Appl. No.: **29/678,497**

(22) Filed: **Jan. 29, 2019**

(51) **LOC (12) Cl.** **16-01**

(52) **U.S. Cl.**
USPC **D16/203; D16/218**

(58) **Field of Classification Search**
USPC D16/200–204, 208, 218, 219; 348/143, 348/148, 151, 360, 373–376; 396/419, 396/427–429, 433, 529, 535, 537–541
CPC G03B 15/03; G03B 17/02; G03B 17/04; G03B 17/48; G03B 17/56; G03B 19/04; G08G 1/0175; H04N 5/2251; H04N 5/2252; H04N 5/2253; H04N 5/2254
See application file for complete search history.

(56) **References Cited**

U.S. PATENT DOCUMENTS

D455,768 S * 4/2002 Tsang D16/202
D463,809 S * 10/2002 Lo D16/202
D532,809 S * 11/2006 Shih D16/218

D633,122 S * 2/2011 Booker D16/218
D648,362 S * 11/2011 Byun D16/204
D756,011 S * 5/2016 Nojima D16/219
D785,067 S * 4/2017 Ramones D16/203
D803,924 S * 11/2017 Martin D16/218
D813,925 S * 3/2018 Park D16/203
D827,014 S * 8/2018 Sakai D16/218
D841,720 S * 2/2019 Ramones D16/237
D863,398 S * 10/2019 Huang D16/203
D863,404 S * 10/2019 Karpenko D16/218

OTHER PUBLICATIONS

Copending U.S. Appl. No. 29/673,606, filed Dec. 17, 2018.

* cited by examiner

Primary Examiner — Ramzi S Almatrahi

(74) *Attorney, Agent, or Firm* — Boyle Fredrickson S.C.

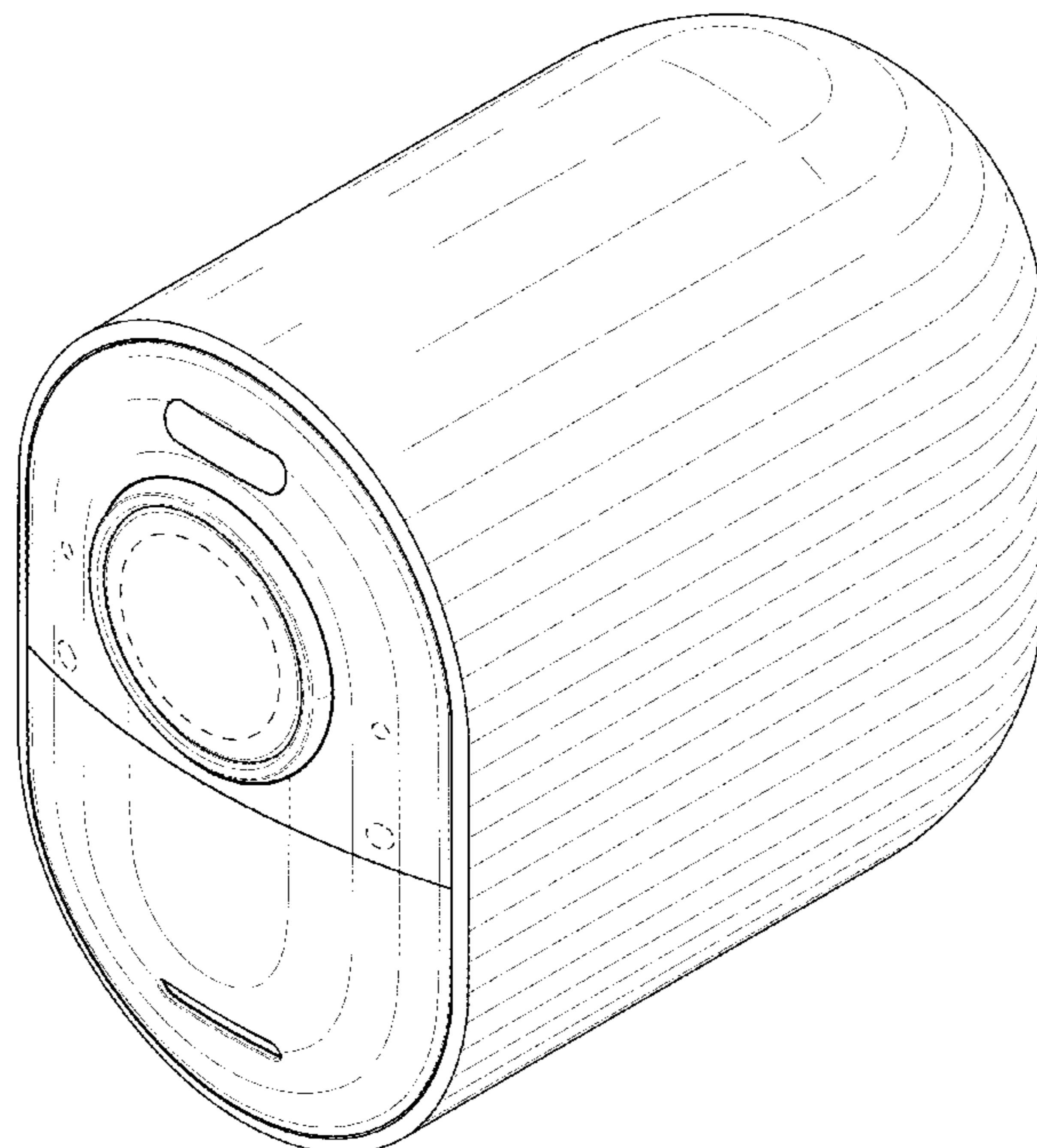
(57) **CLAIM**

The ornamental design for a camera, as shown and described.

DESCRIPTION

FIG. 1 is a top, front, right side perspective view of a camera showing our new design;
FIG. 2 is a front elevation view thereof;
FIG. 3 is a rear elevation view thereof;
FIG. 4 is a right-side elevation view thereof;
FIG. 5 is a left-side elevation view thereof;
FIG. 6 is a top plan view thereof; and,
FIG. 7 is a bottom plan view thereof.
The broken lines depict portions of the camera in which the design is embodied that form no part of the claimed design. Additionally, the dash-dot lines denote the boundary of the claim and form no part of the claimed design.

1 Claim, 7 Drawing Sheets



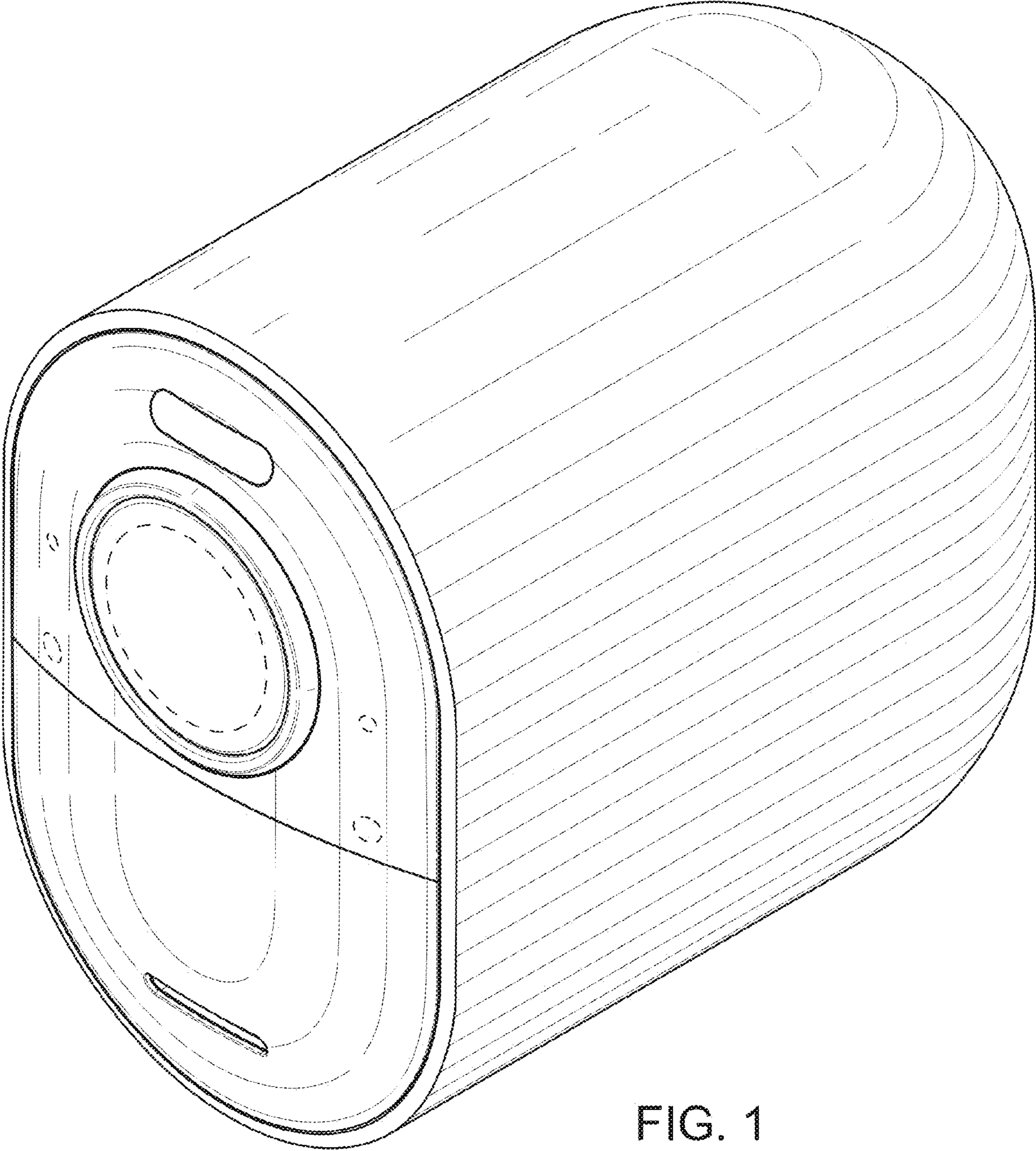


FIG. 1

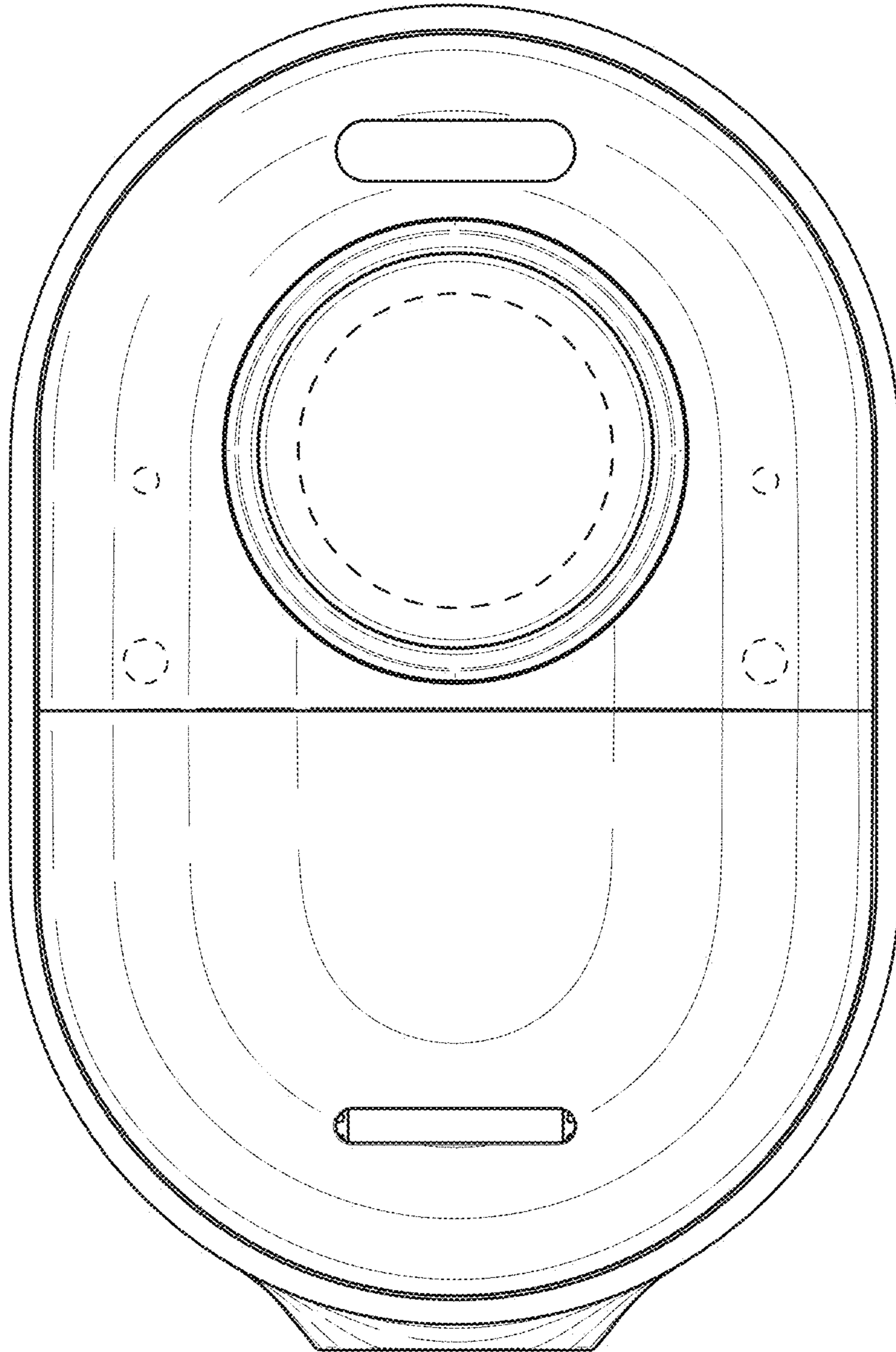


FIG. 2

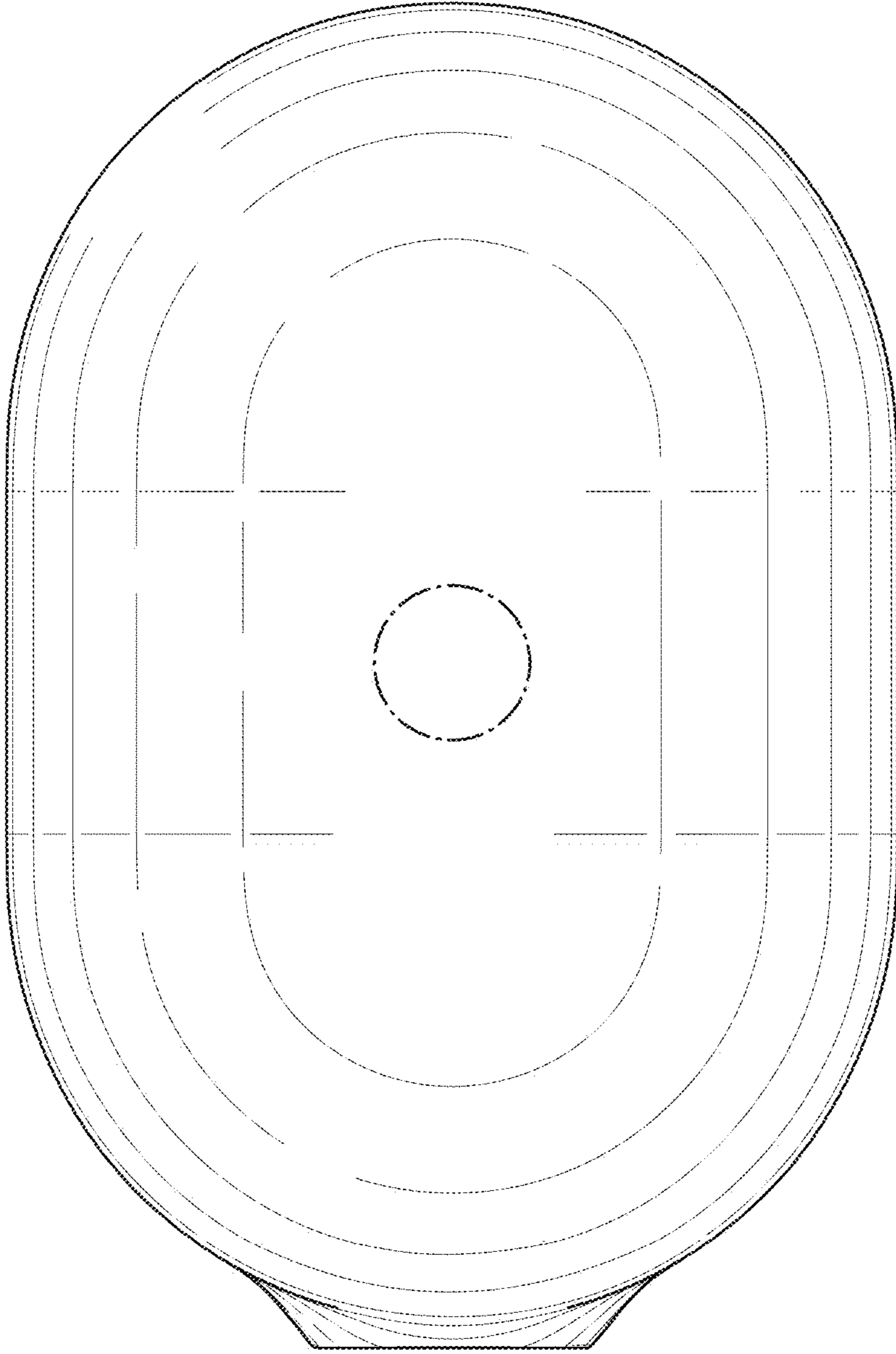


FIG. 3

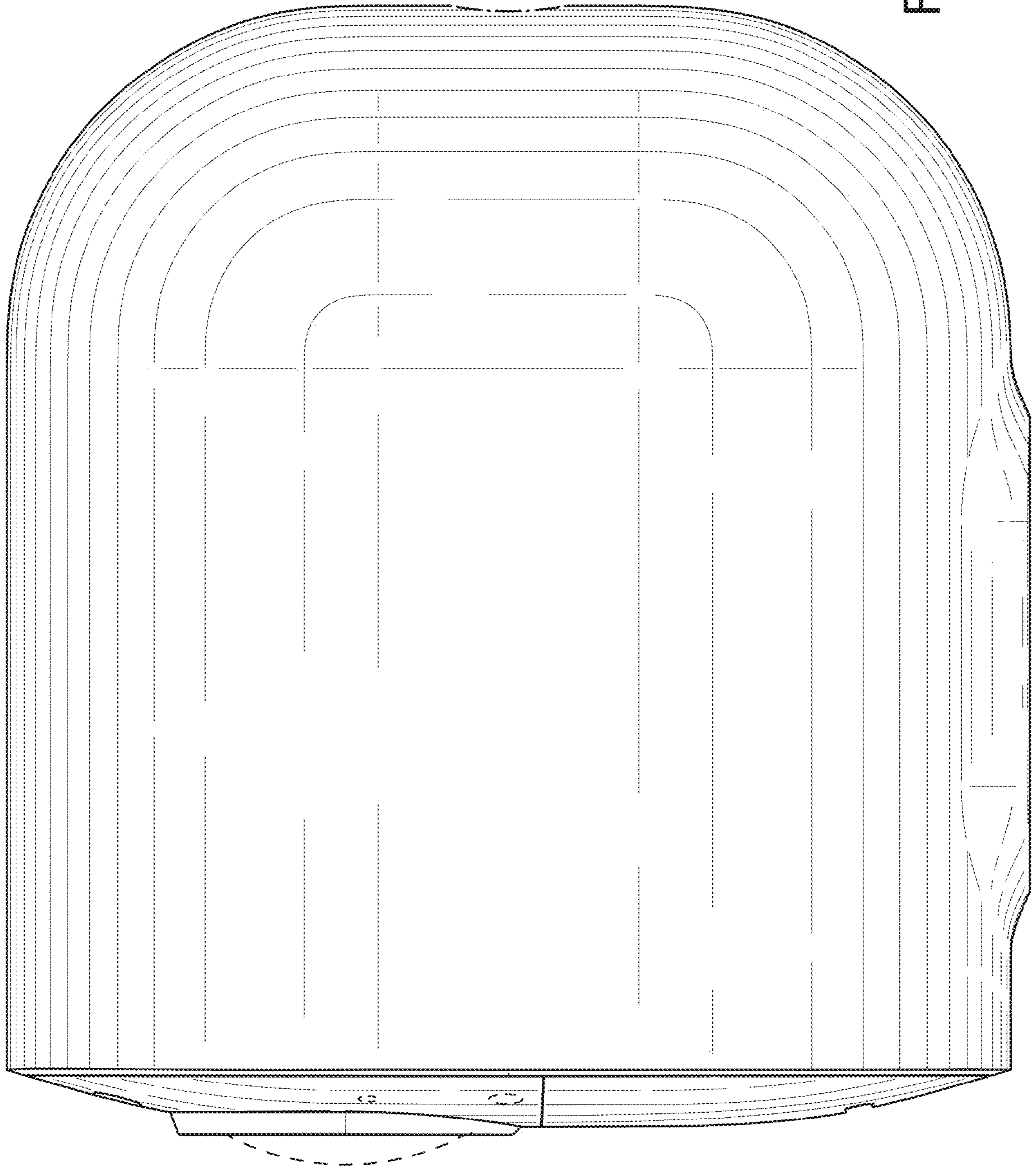
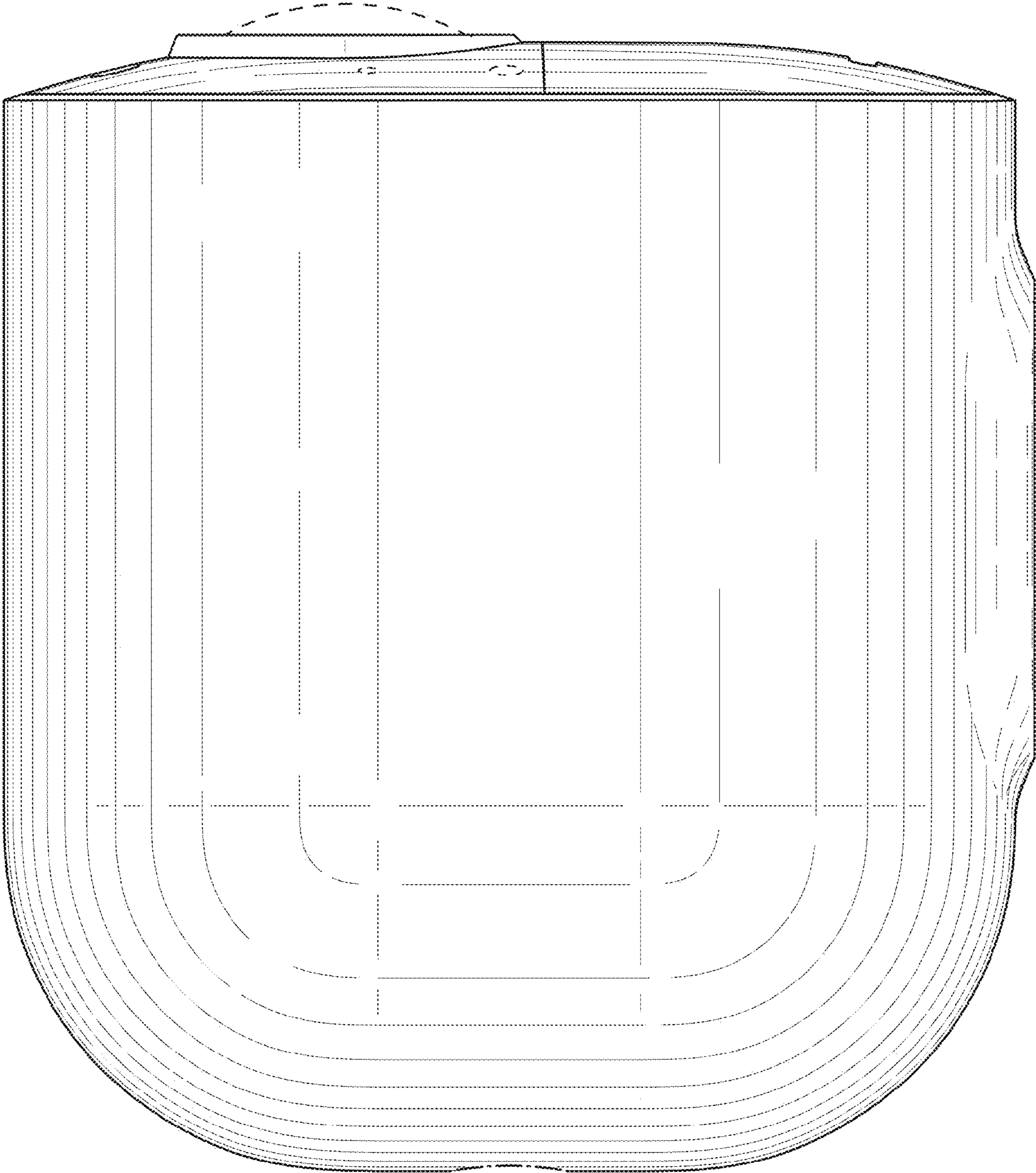


FIG. 4

FIG. 5



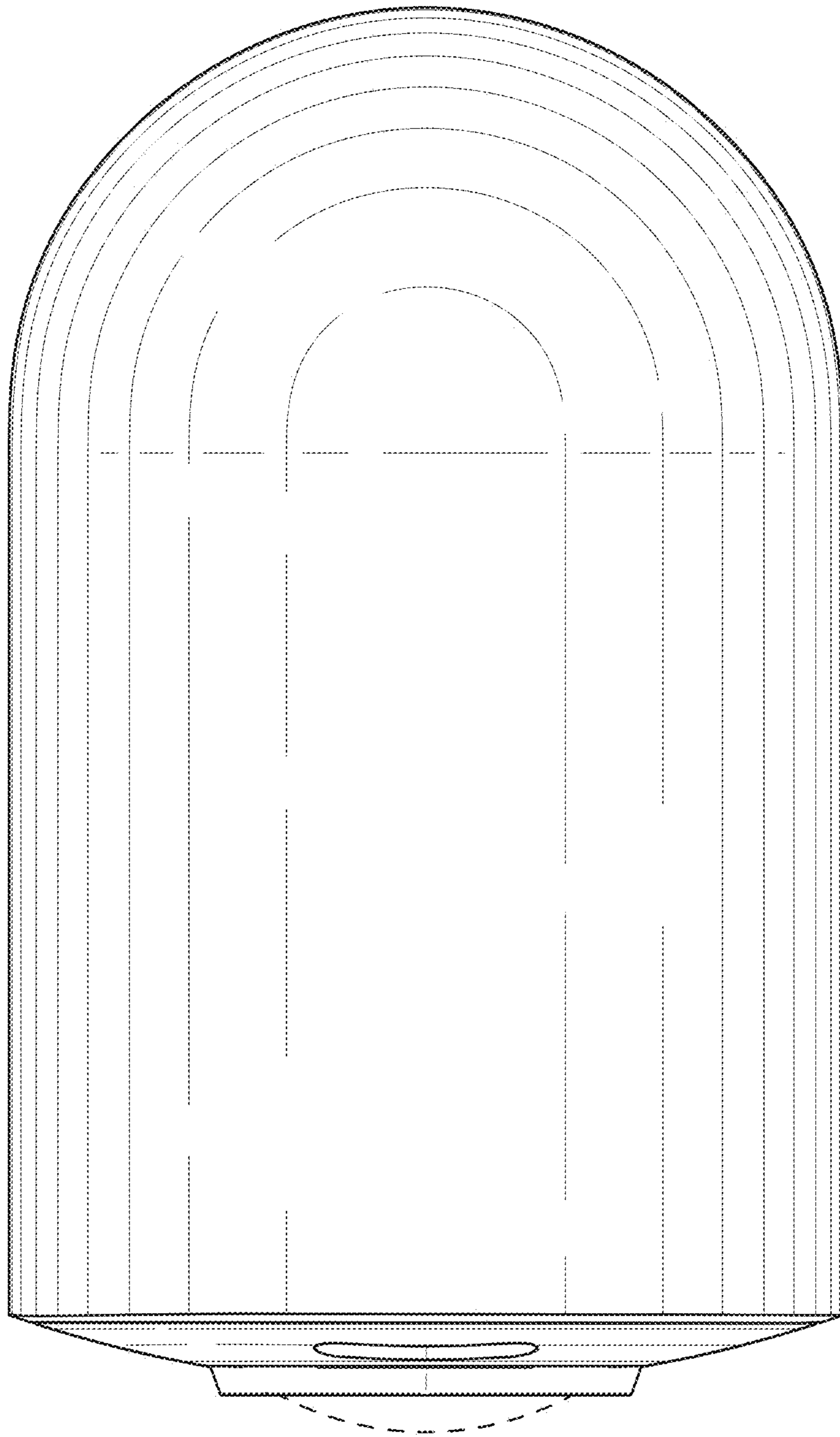


FIG. 6

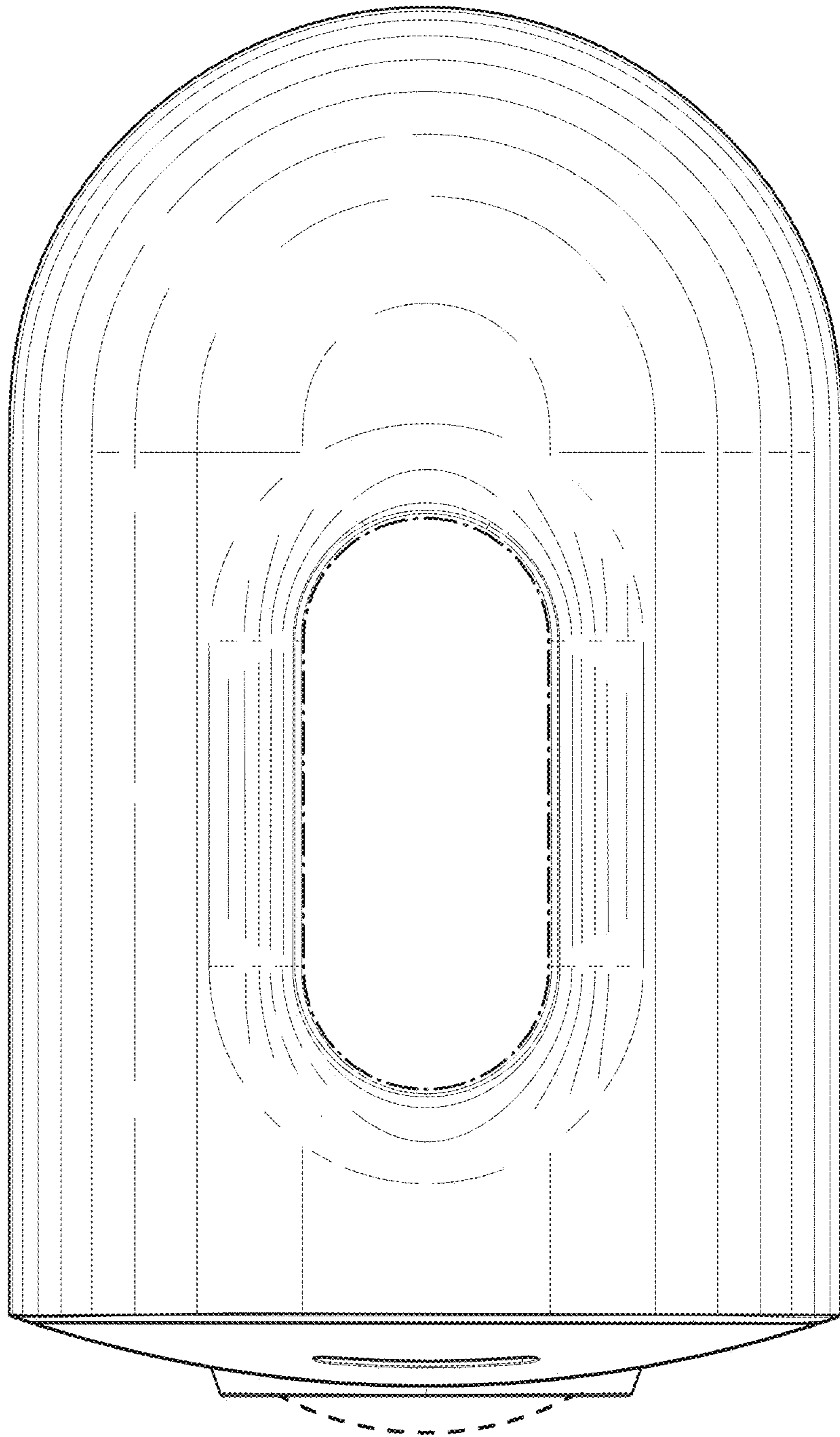


FIG. 7