



US00D886175S

(12) **United States Design Patent**
Hofberger et al.

(10) **Patent No.:** **US D886,175 S**

(45) **Date of Patent:** **** Jun. 2, 2020**

- (54) **ROBOTIC MOTOR UNIT**
- (71) Applicant: **Brainlab AG**, Munich (DE)
- (72) Inventors: **Stefan Hofberger**, Munich (DE);
Elmar Schlereth, Munich (DE)
- (73) Assignee: **BRAINLAB AG**, Munich (DE)
- (**) Term: **15 Years**
- (21) Appl. No.: **29/701,447**
- (22) Filed: **Aug. 12, 2019**

D624,104	S	*	9/2010	Miyake	15/99
D650,820	S	*	12/2011	Long	D15/199
D652,801	S	*	1/2012	Zou	D13/139.8
D677,294	S	*	3/2013	Long	D15/199
D678,378	S	*	3/2013	Selic	D15/199
8,537,346	B2	*	9/2013	Nakagiri	B25J 9/1692 356/139.07
D755,268	S	*	5/2016	Parrot	D15/140
9,346,175	B2	*	5/2016	Krumbacher	B25J 18/06
D765,041	S	*	8/2016	Yu	D13/160
9,405,288	B2	*	8/2016	Ogata	B25J 9/1694
D766,348	S	*	9/2016	Long	D15/199
D769,343	S	*	10/2016	Bordegnoni	D15/199
D793,964	S	*	8/2017	Aromin	D13/160
D819,572	S	*	6/2018	Ye	D15/143
D867,415	S	*	11/2019	Hofberger	D15/199
2008/0016979	A1	*	1/2008	Yasumura	B25J 9/0009 74/490.03

Related U.S. Application Data

- (62) Division of application No. 29/635,812, filed on Feb. 2, 2018, now Pat. No. Des. 867,415.

Foreign Application Priority Data

Aug. 8, 2017 (EM) 004138659

- (51) **LOC (12) Cl.** **15-99**

- (52) **U.S. Cl.**
USPC **D15/199**

- (58) **Field of Classification Search**
USPC D15/199; D21/578-583, 621
CPC B25J 9/044; B25J 9/102; G06N 3/004;
G06N 3/008; G06N 5/00; H01L
21/68707; H01L 21/67748; H01L
21/67766; H01L 21/67778; Y10S 901/17
See application file for complete search history.

References Cited

U.S. PATENT DOCUMENTS

D440,241	S	*	4/2001	Kawahara	D15/199
D502,477	S	*	3/2005	Beadle	D15/143
D579,881	S	*	11/2008	Aromin	D13/160
D613,781	S	*	4/2010	Liu	D15/199

(Continued)

Primary Examiner — Patricia A Palasik

(74) *Attorney, Agent, or Firm* — Middleton Reutlinger

(57) **CLAIM**

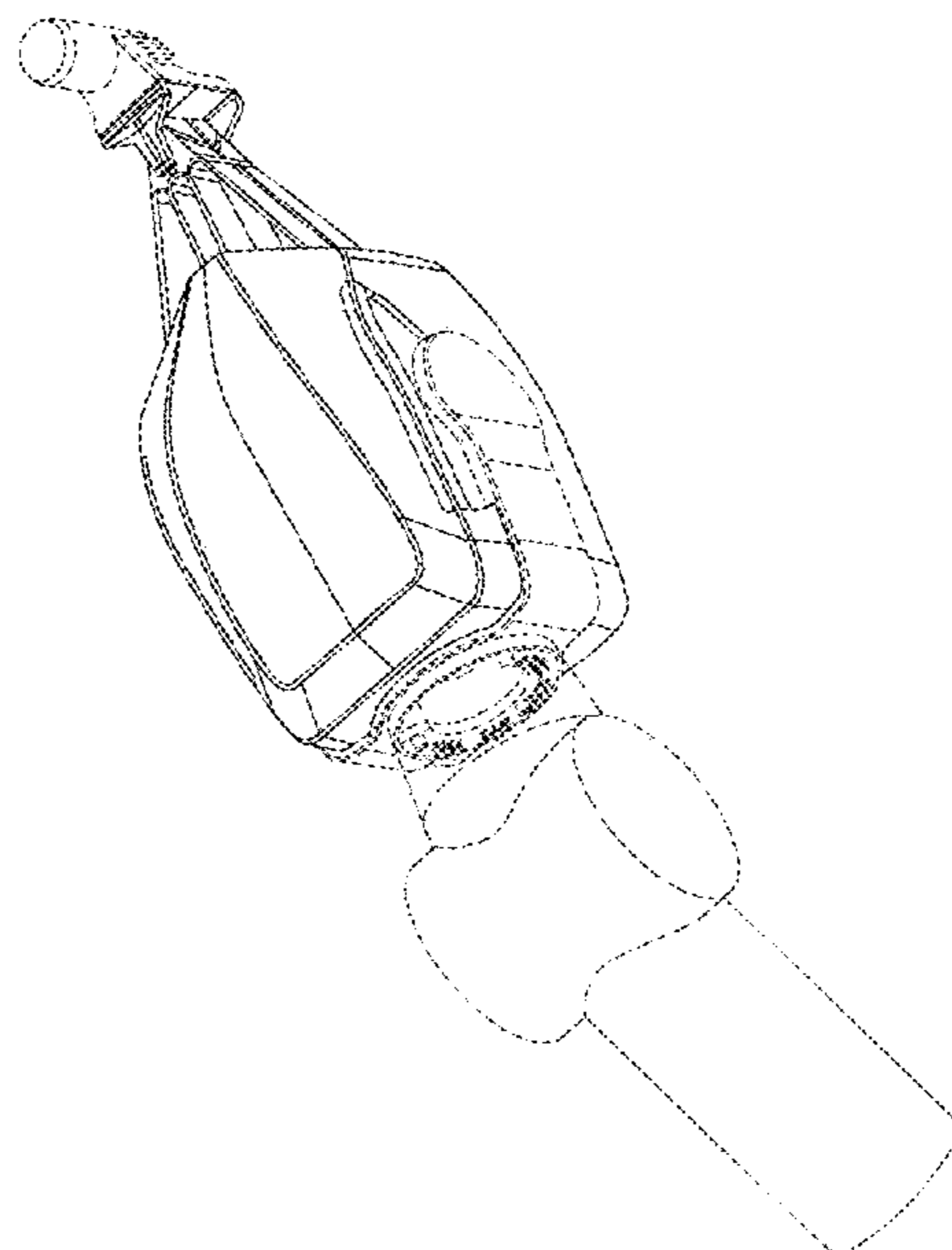
The ornamental design for a robotic motor unit, as shown and described.

DESCRIPTION

FIG. 1 is a first side view of an embodiment of a robotic motor unit;
 FIG. 2 is a second side view of the robotic motor unit of FIG. 1;
 FIG. 3 is a third side view of the robotic motor unit of FIG. 1;
 FIG. 4 is an upper perspective view of the robotic motor unit of FIG. 1;
 FIG. 5 is a top view of the robotic motor unit of FIG. 1; and,
 FIG. 6 is a lower perspective view of the robotic motor unit of FIG. 1.

The broken line disclosure represents unclaimed portions of the robotic motor unit in which the design is embodied.

1 Claim, 6 Drawing Sheets



(56)

References Cited

U.S. PATENT DOCUMENTS

2011/0107867	A1*	5/2011	Long	B25J 9/103 74/490.05
2011/0113917	A1*	5/2011	Long	B25J 9/102 74/490.03
2011/0290059	A1*	12/2011	Pan	B25J 9/101 74/490.01
2011/0303042	A1*	12/2011	Pan	B25J 9/0009 74/490.05
2013/0125691	A1*	5/2013	Wappling	B25J 19/0062 74/467
2013/0305866	A1*	11/2013	Krumbacher	B25J 18/06 74/490.03
2014/0102240	A1*	4/2014	Inada	B25J 17/0283 74/490.02
2015/0246449	A1*	9/2015	Sakai	B25J 19/0025 74/490.02

* cited by examiner

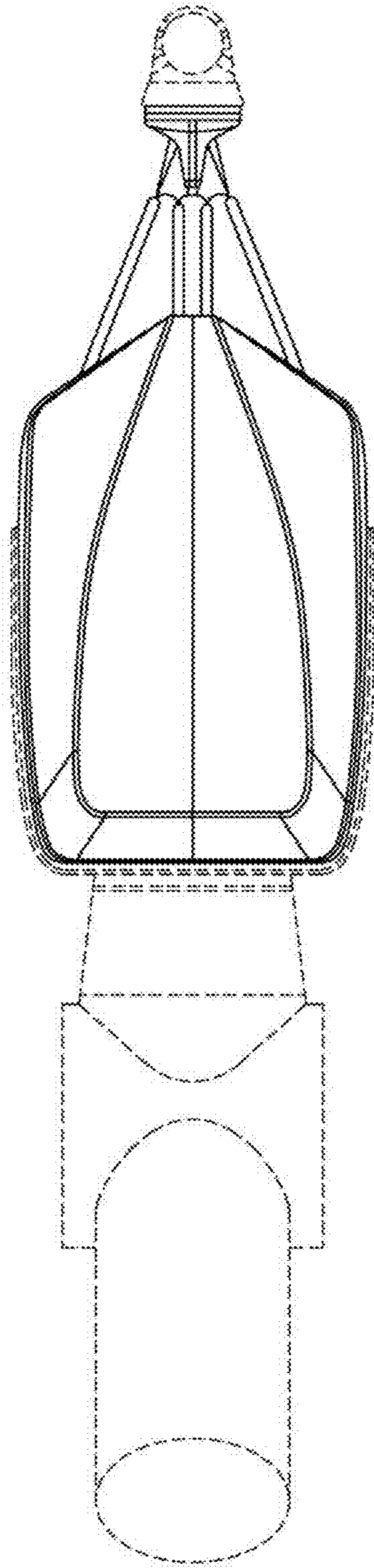


FIG. 1

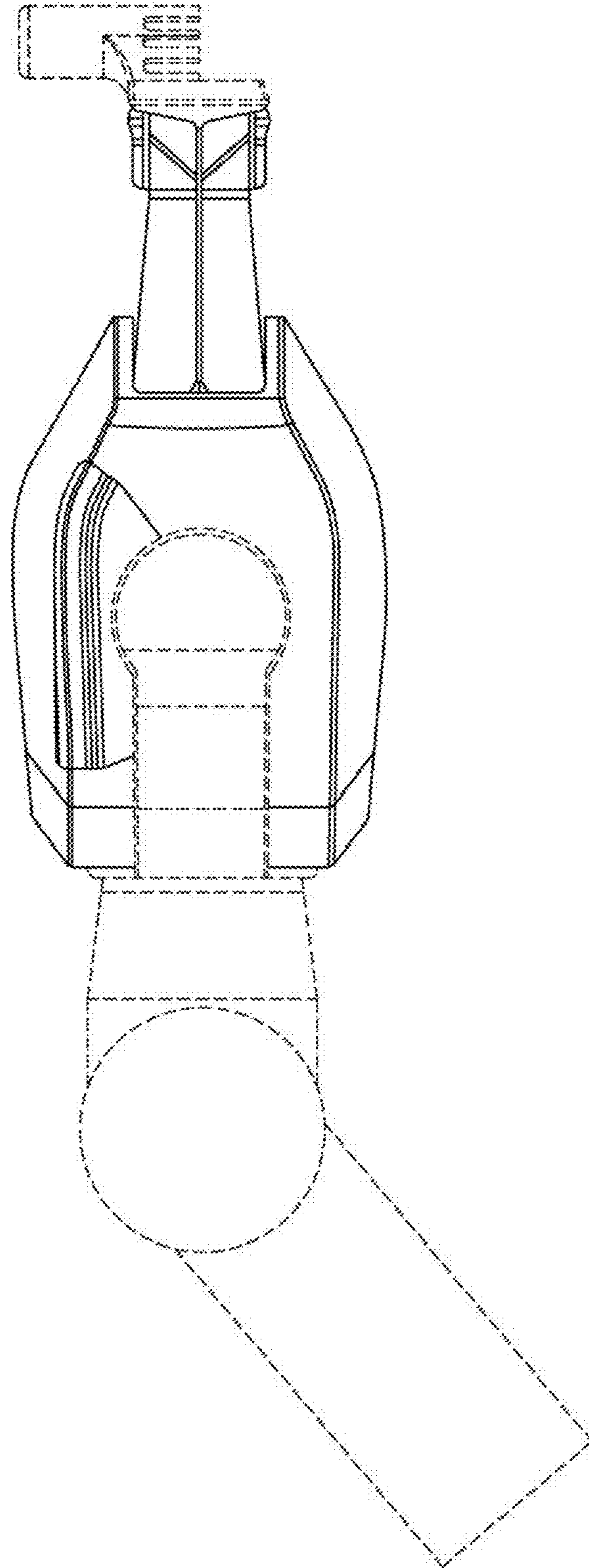


FIG. 2

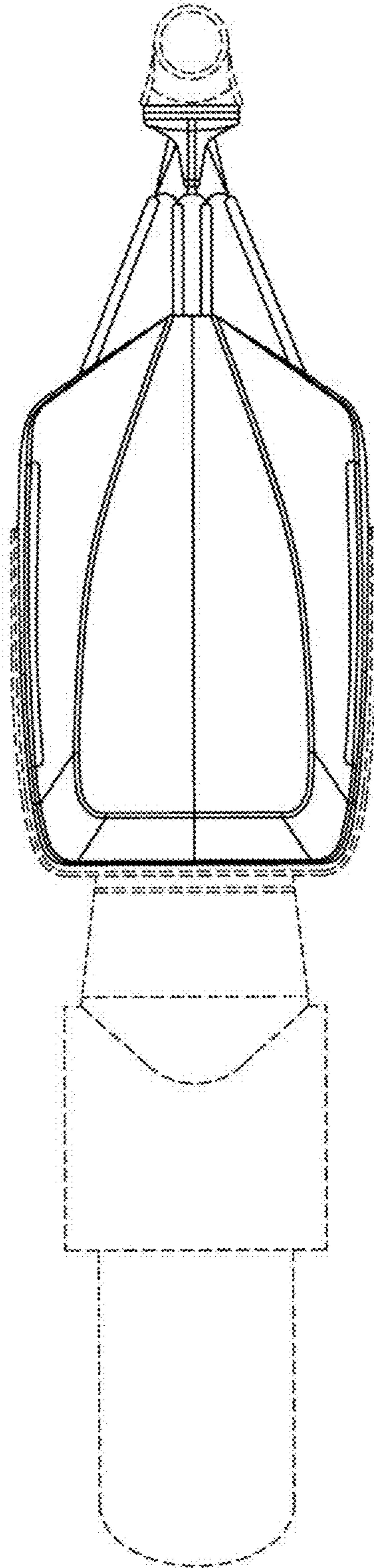


FIG. 3

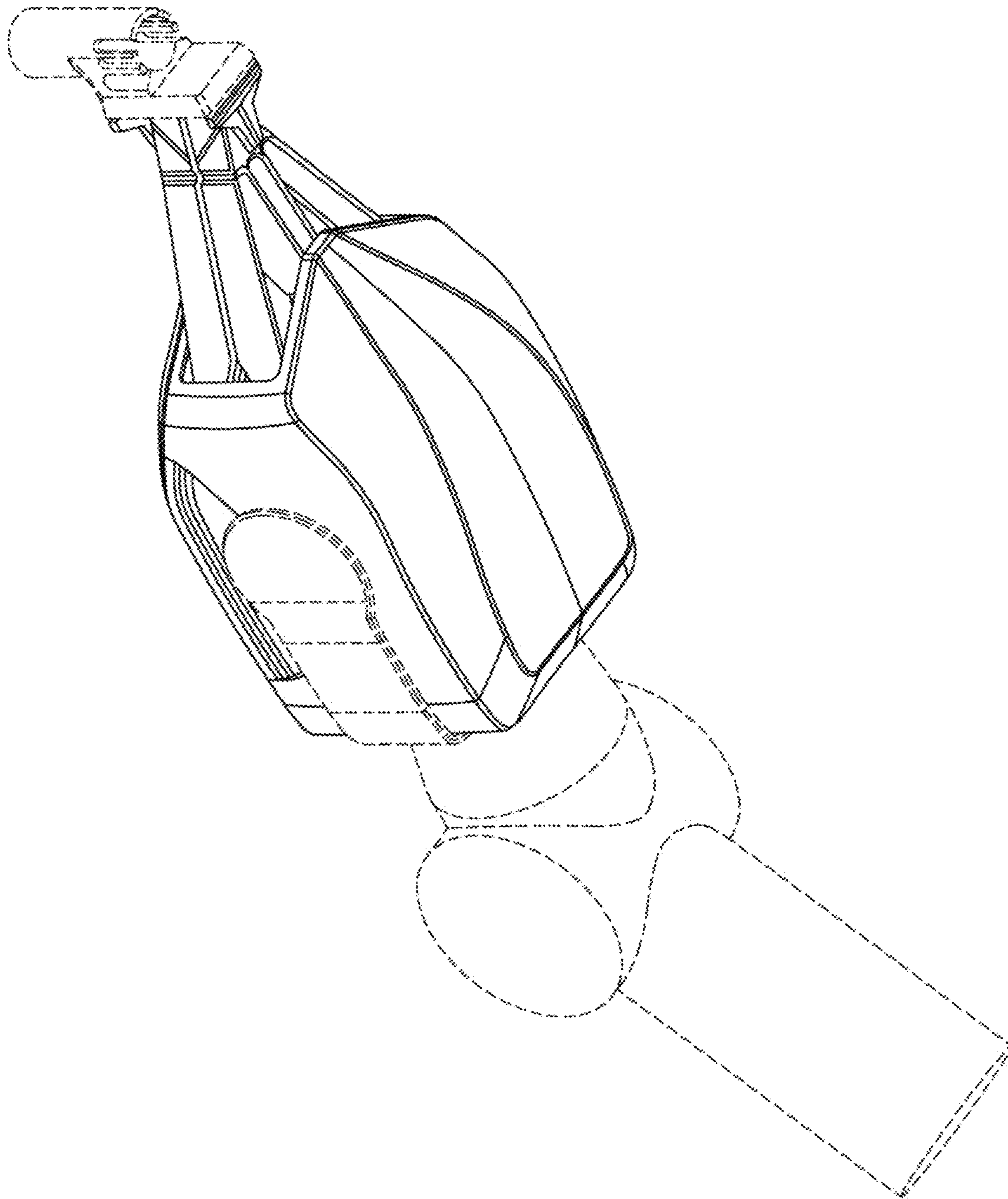


FIG. 4

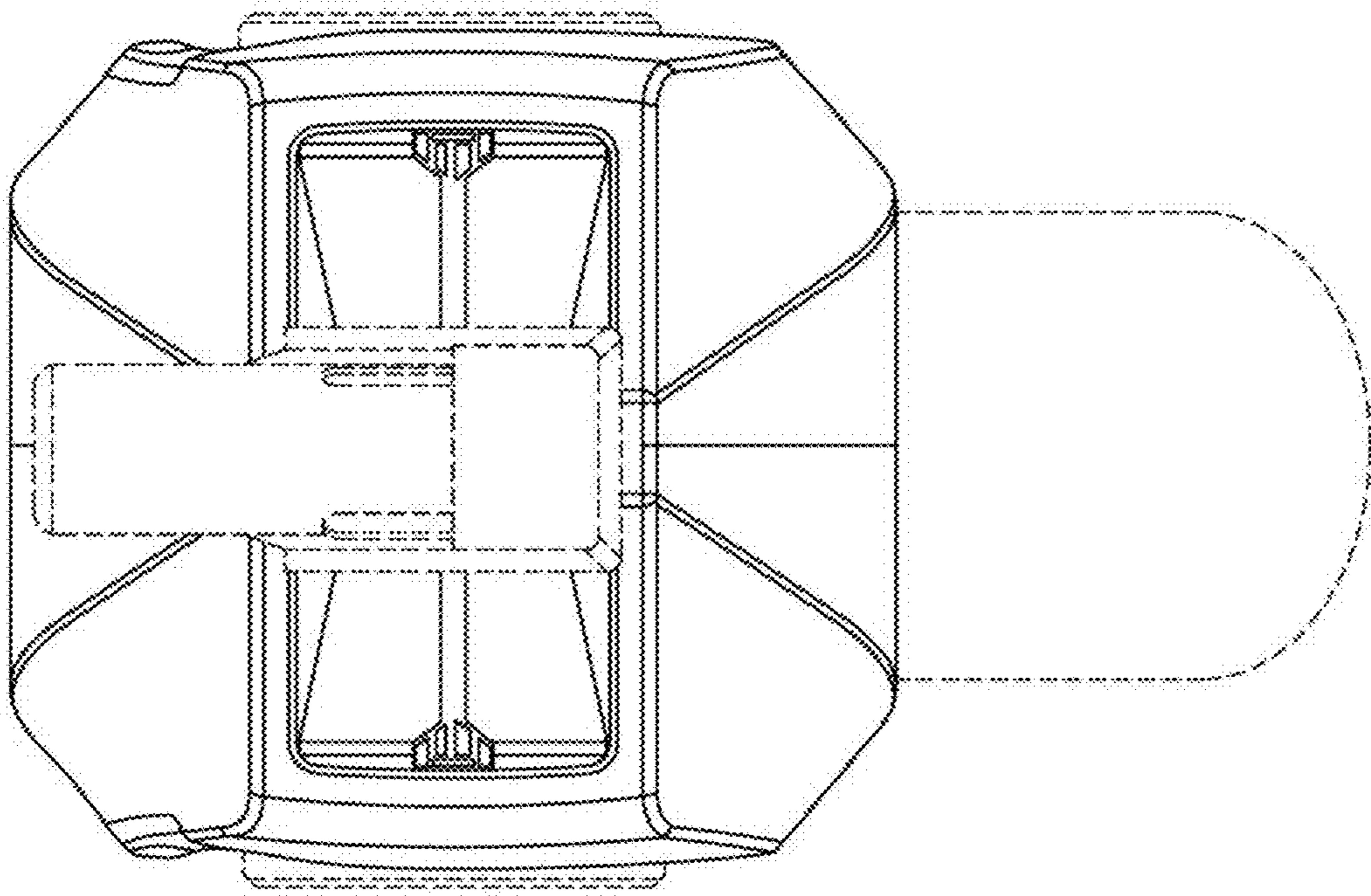


FIG. 5

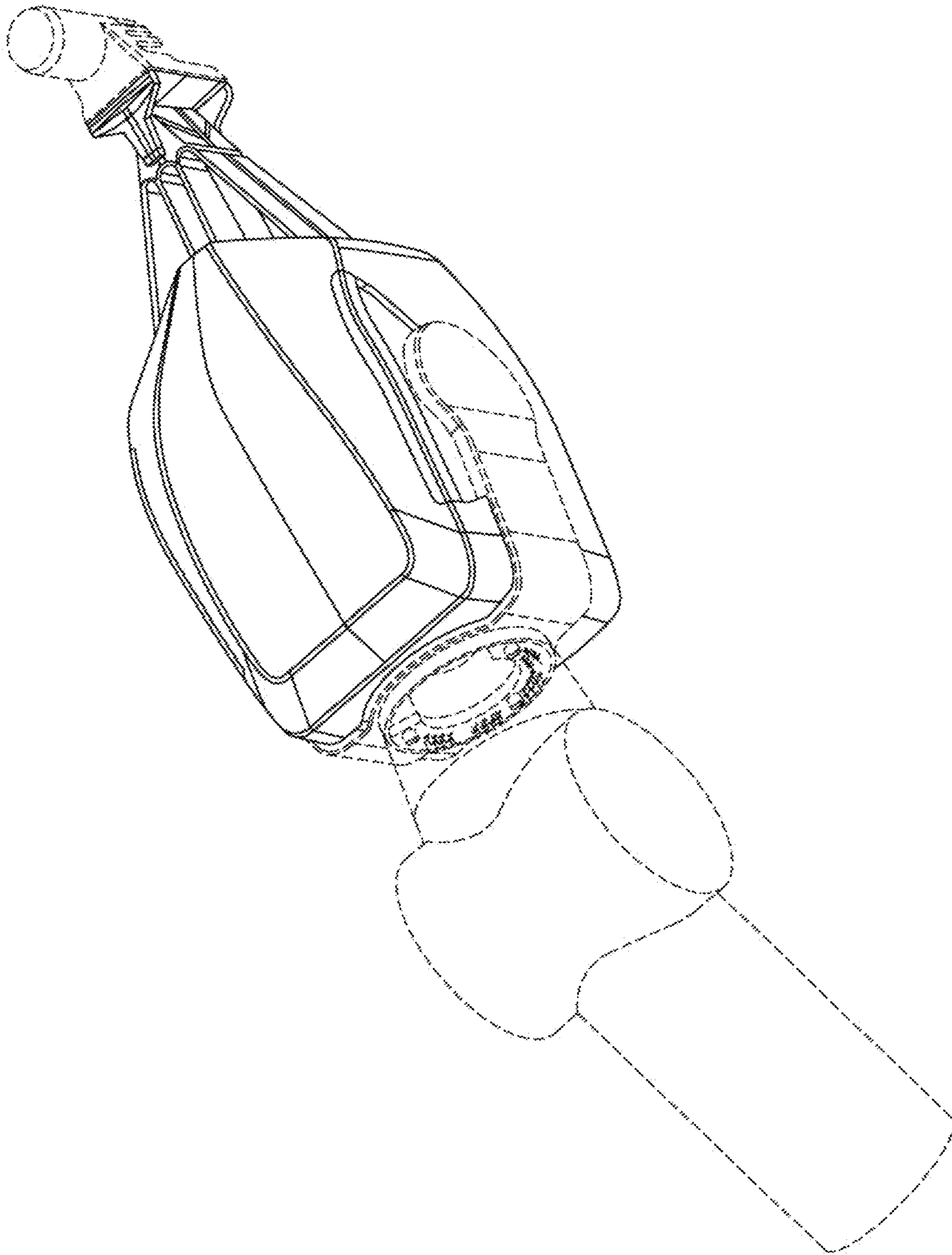


FIG. 6