



US00D886167S

(12) **United States Design Patent** (10) **Patent No.:** **US D886,167 S**  
**Wang** (45) **Date of Patent:** **\*\* Jun. 2, 2020**

(54) **3D PRINTER**

(56) **References Cited**

(71) Applicant: **Shanghai Furling Electronic Technology Co., Ltd., Shanghai (CN)**

U.S. PATENT DOCUMENTS

(72) Inventor: **Yunkai Wang, Shanghai (CN)**

D763,330 S *	8/2016	Olive .....	D15/122
D771,164 S *	11/2016	Noorazar .....	D15/122
D776,174 S *	1/2017	Summit .....	D15/122
D777,809 S *	1/2017	Wu .....	D15/122
D787,574 S *	5/2017	Lee .....	D15/122
D809,574 S *	2/2018	Lin .....	D15/122
D810,156 S *	2/2018	Lin .....	D15/135
D826,296 S *	8/2018	Noorazar .....	D15/122
D835,162 S *	12/2018	Reches .....	D15/122
D850,501 S *	6/2019	Schmitt .....	D15/122
D858,590 S *	9/2019	Kazaoka .....	D15/122
D864,262 S *	10/2019	Noorazar .....	D15/122

(73) Assignee: **Shanghai Furling Electronic Technology Co., Ltd., Shanghai (CN)**

(\*\*) Term: **15 Years**

\* cited by examiner

(21) Appl. No.: **29/642,096**

(22) Filed: **Mar. 27, 2018**

*Primary Examiner* — Khawaja Anwar

(30) **Foreign Application Priority Data**

Sep. 27, 2017 (CN) ..... 2017 3 0464242

(74) *Attorney, Agent, or Firm* — Harness, Dickey & Pierce, P.L.C.

(51) **LOC (12) Cl.** ..... **15-03**

(52) **U.S. Cl.**  
USPC ..... **D15/122**

(57) **CLAIM**

(58) **Field of Classification Search**  
USPC ..... D15/122, 135, 138, 145, 146; D18/6, 7, D18/14, 19, 50, 54.1, 55

The ornamental design of a 3D printer, as shown and described.

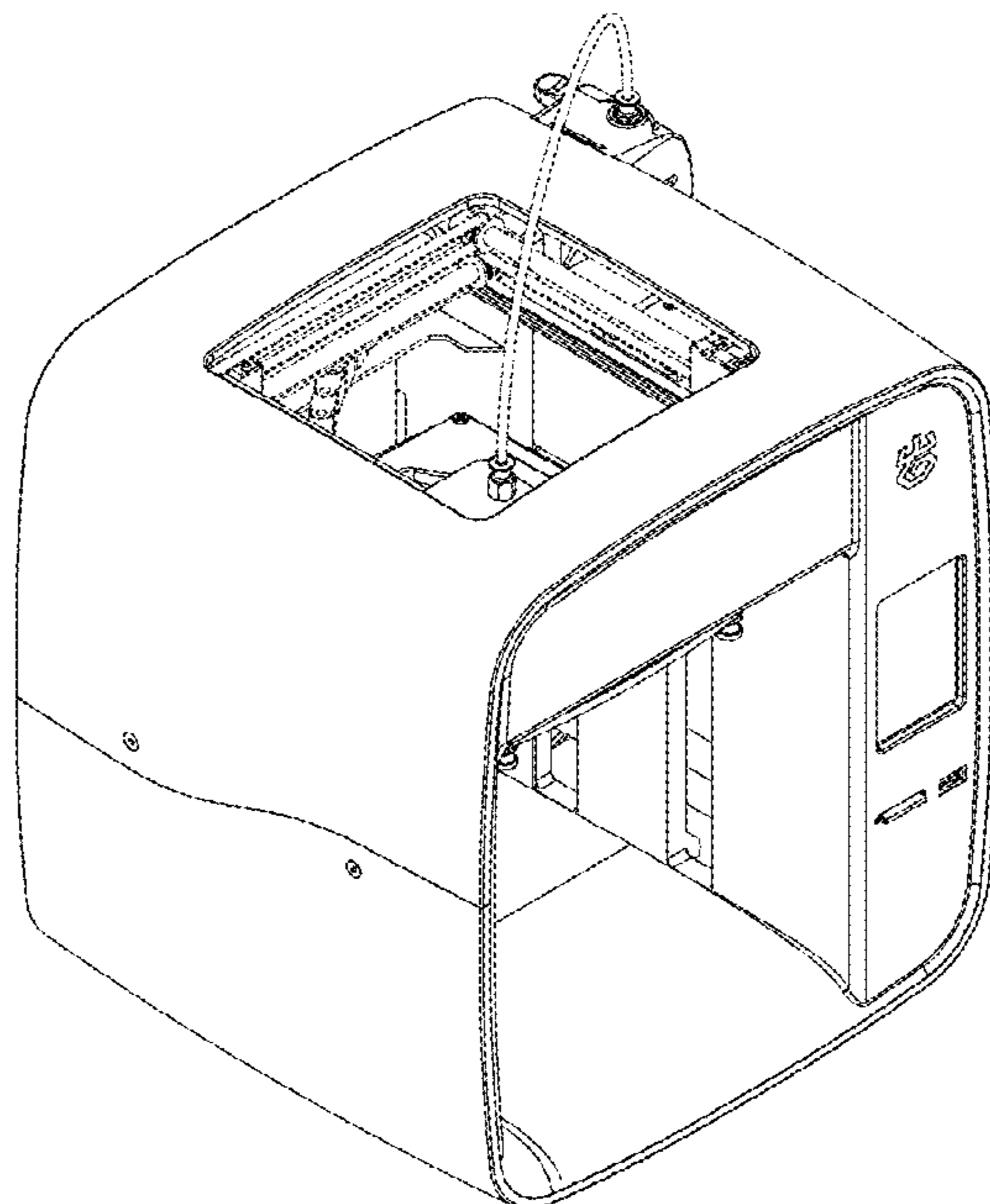
CPC ..... G06T 11/206; G06T 11/60; G06T 15/00; G06T 2207/30201; G06T 7/0012; G06T 7/11; G06T 11/001; G06T 11/003; G06T 11/40; G06T 13/00; G06T 15/005; G06T 15/02; G06T 15/04; G06T 15/10; G06T 15/20; G06T 15/503; G06T 15/60; G06T 15/80; G06T 19/00; G06T 19/20; G06T 1/20; G06T 2200/24; G06T 2207/10024; G06T 2207/10068; G06T 2207/10132; G06T 2207/20221; G06T 2207/30028; G06T 2207/30048; G06T 2207/30104; G06T 7/00; G06T 7/149; G06T 7/248; G06T 7/64

**DESCRIPTION**

FIG. 1 is a front perspective view of the 3D printer;  
FIG. 2 is a rear perspective view thereof;  
FIG. 3 is a front view thereof;  
FIG. 4 is a rear view thereof;  
FIG. 5 is a right side view thereof;  
FIG. 6 is a left side view thereof;  
FIG. 7 is a top view thereof; and,  
FIG. 8 is a bottom view thereof.  
The details shown in broken lines are for illustrative purposes only and form no part of the claimed design.

See application file for complete search history.

**1 Claim, 8 Drawing Sheets**



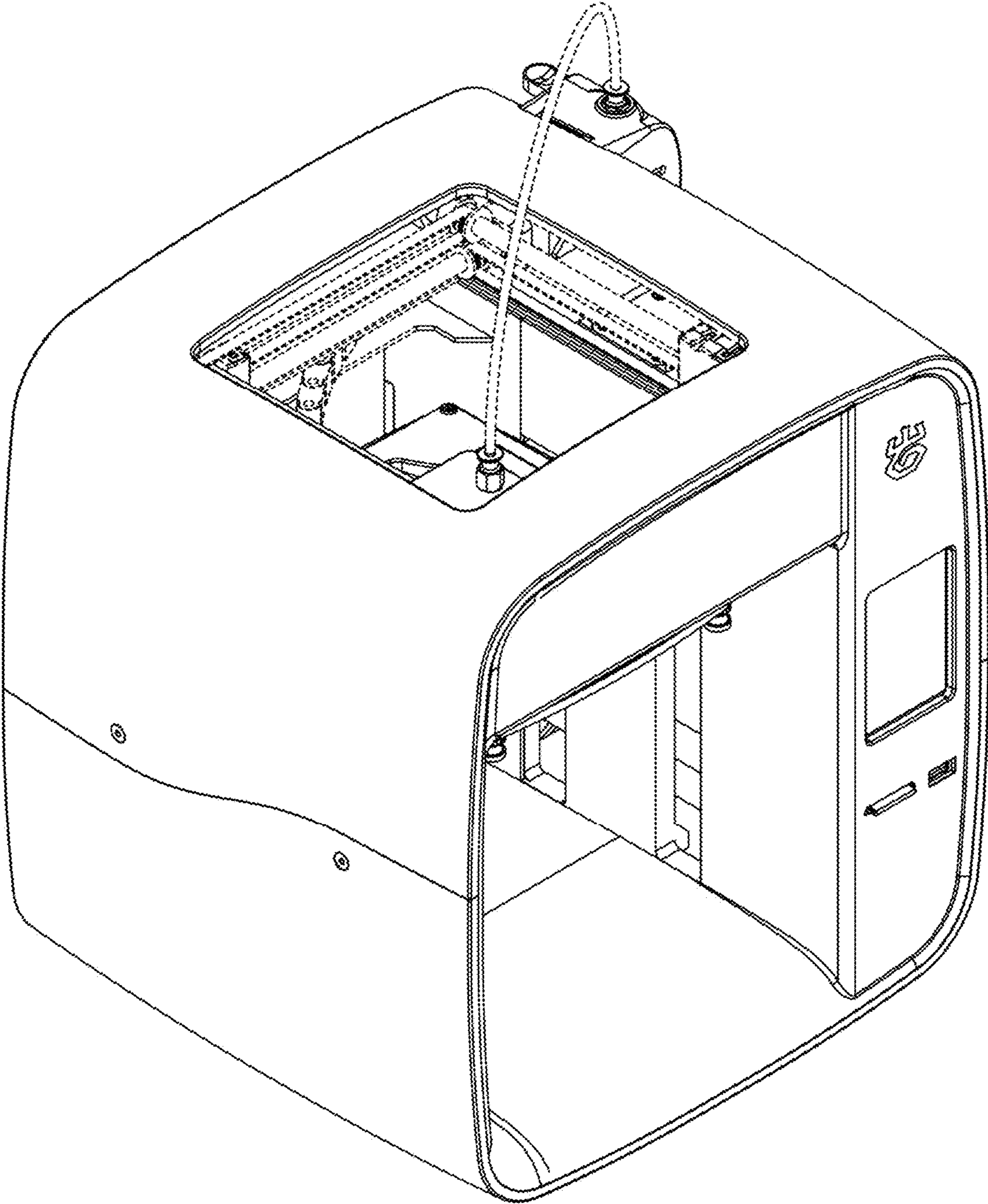


Fig. 1

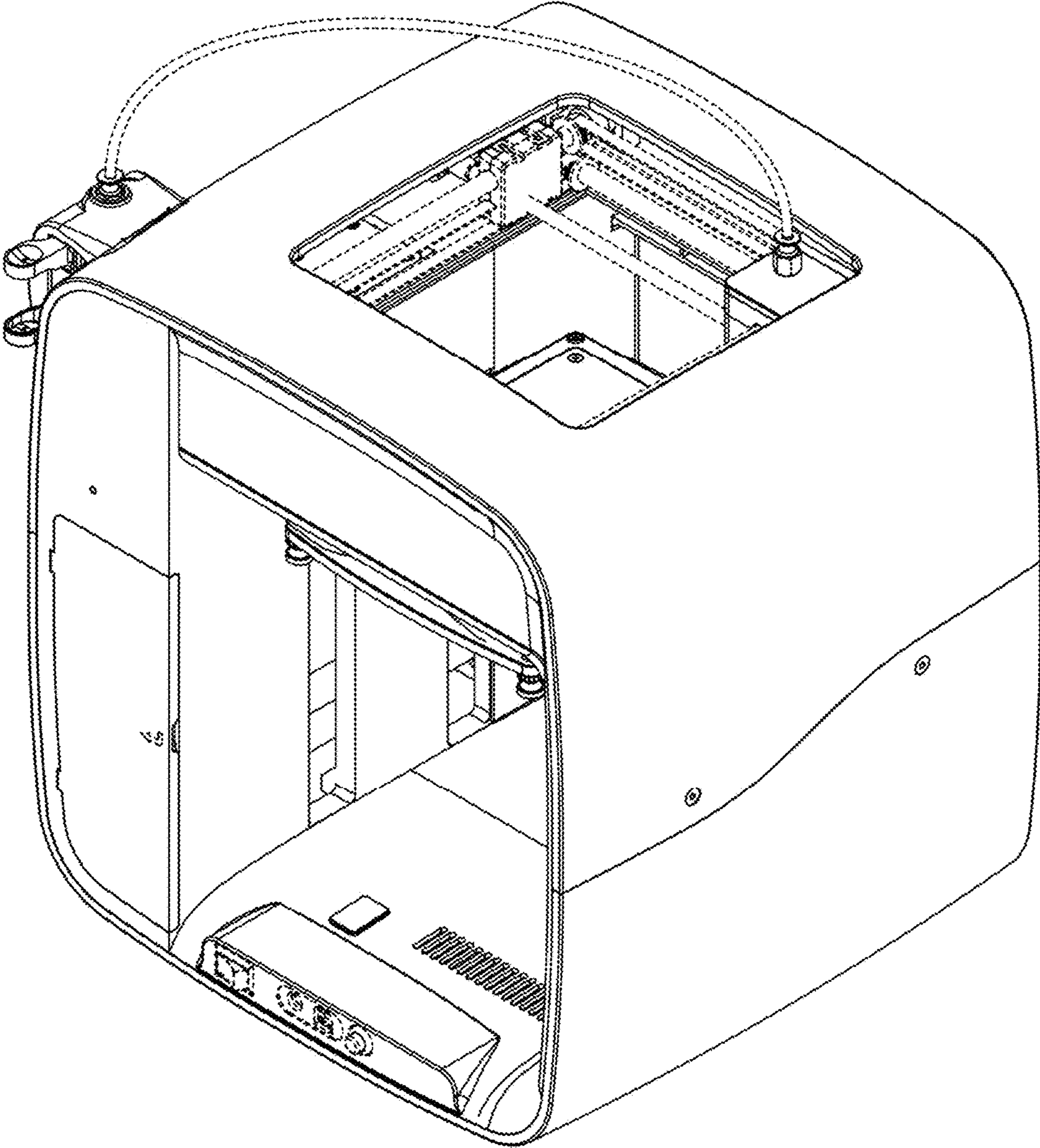


Fig. 2

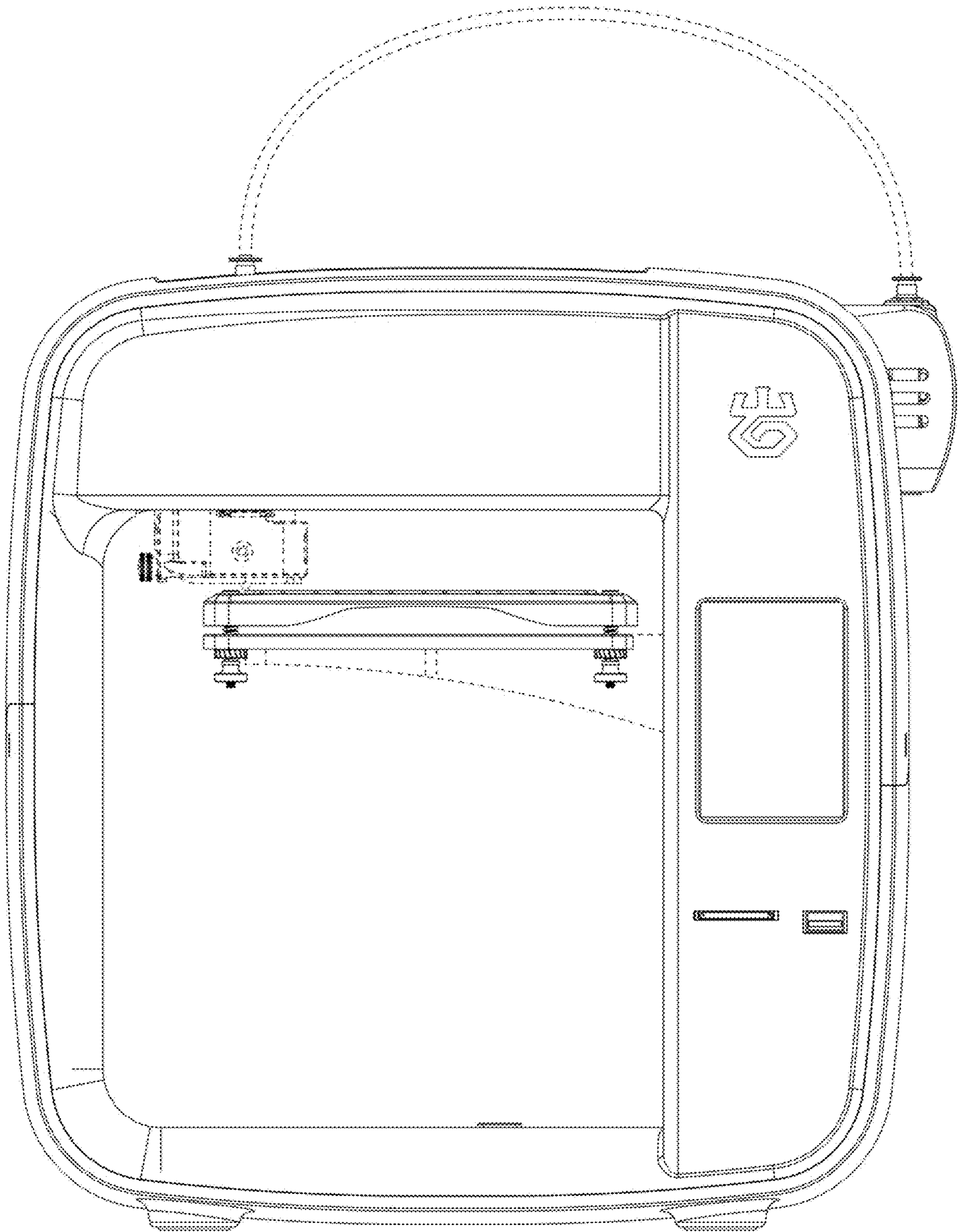


Fig. 3

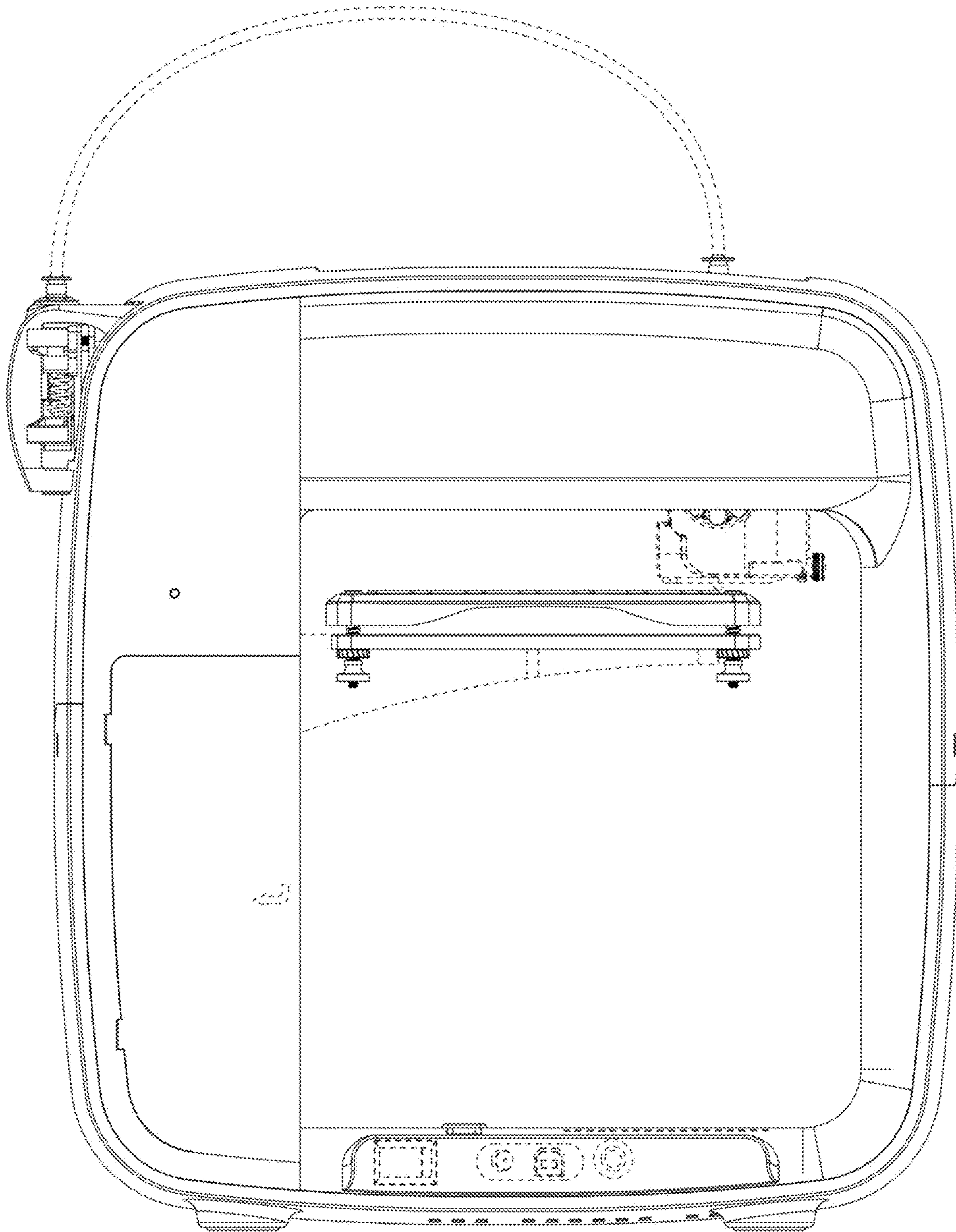


Fig. 4

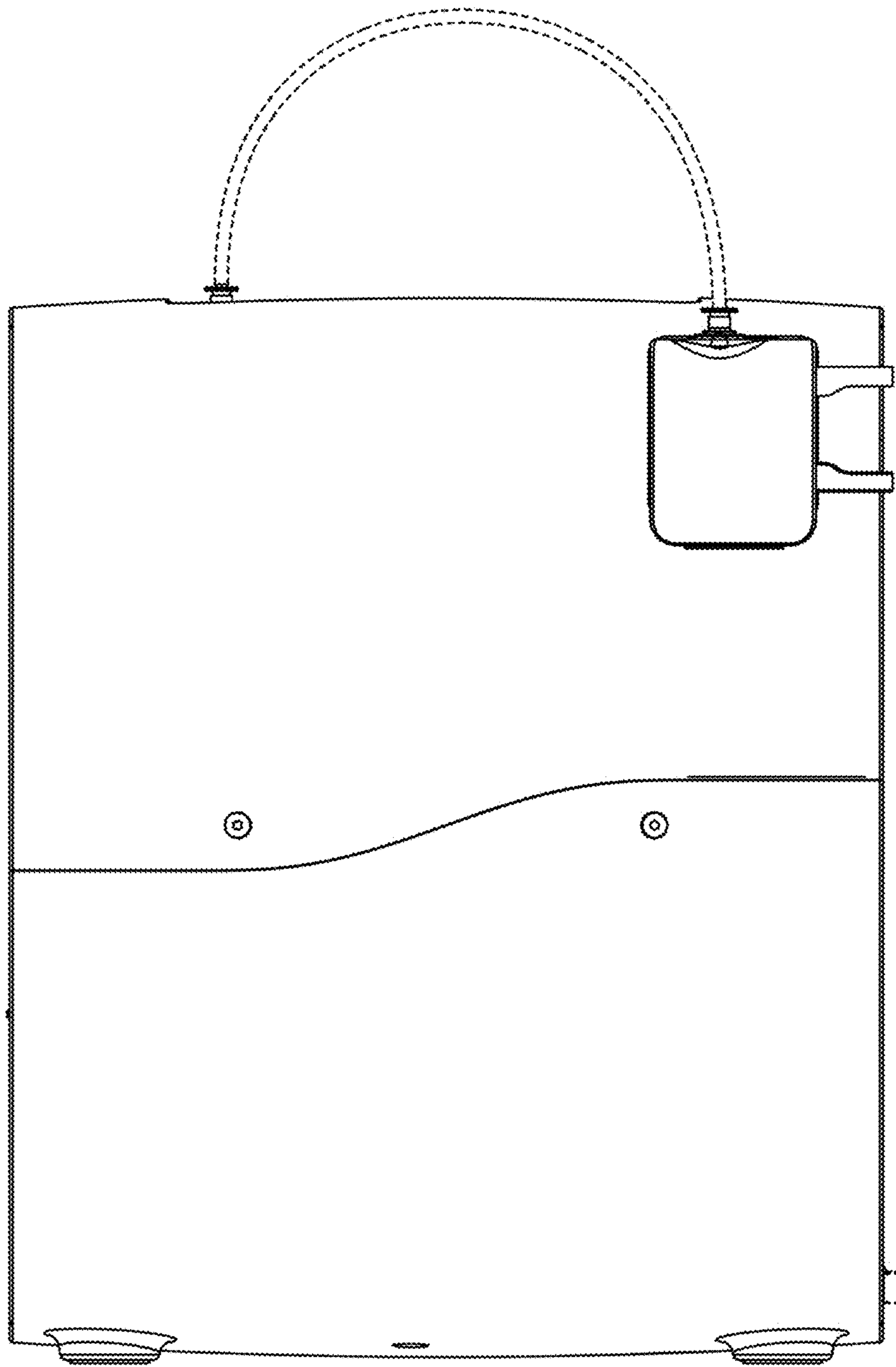


Fig. 5

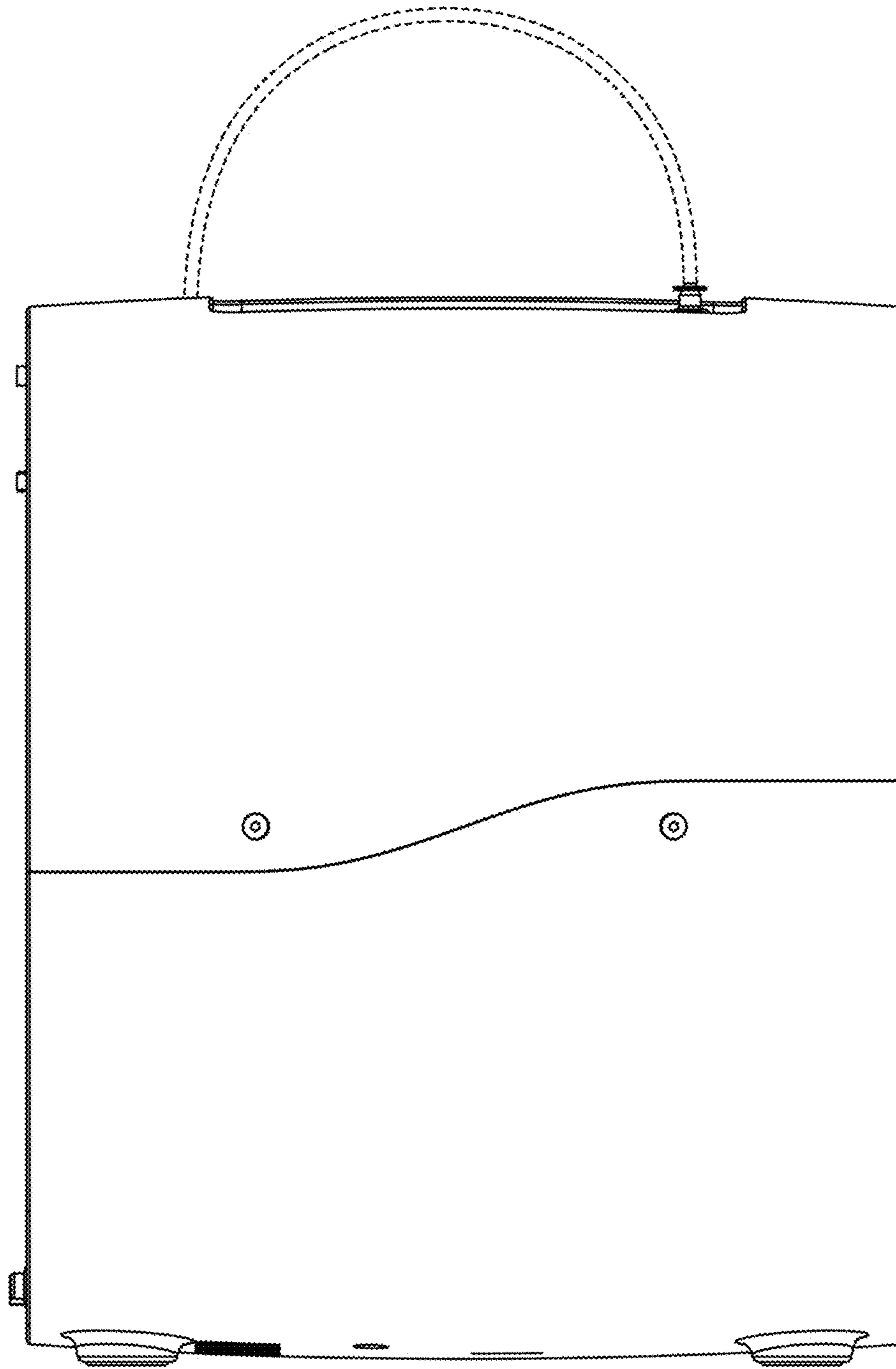


Fig. 6

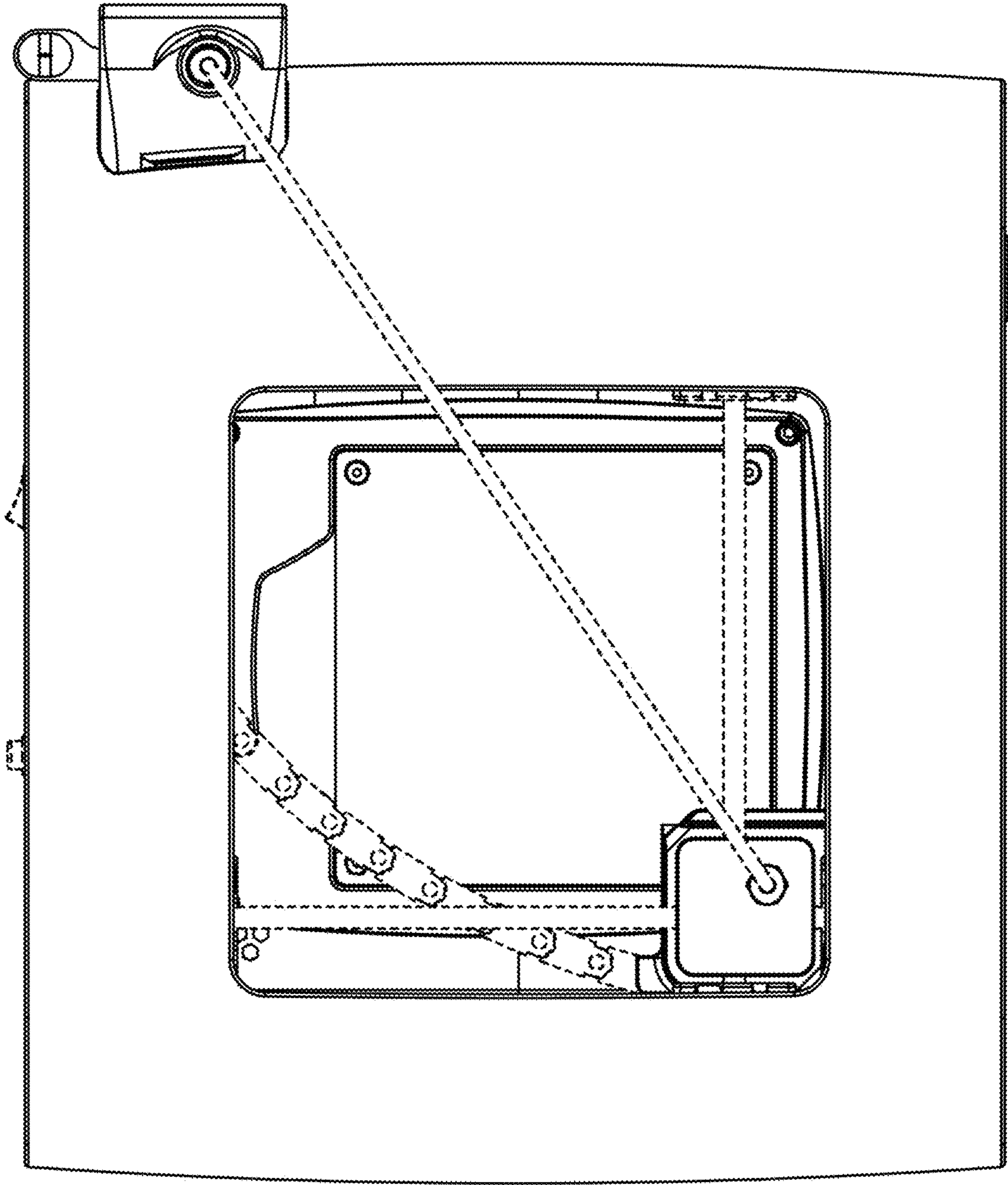


Fig. 7



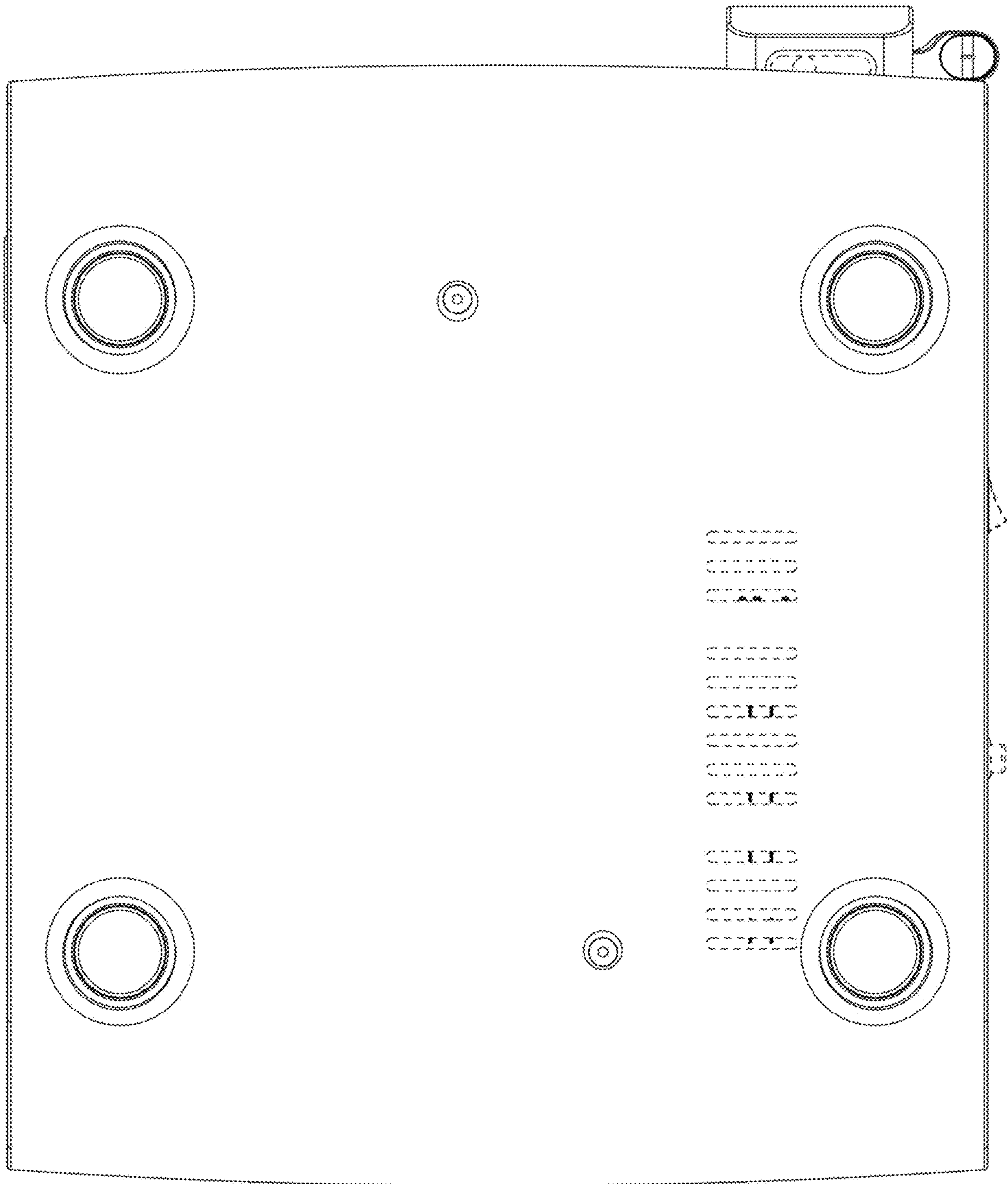


Fig. 8