



US00D886165S

(12) **United States Design Patent** (10) **Patent No.:** **US D886,165 S**
Olsson et al. (45) **Date of Patent:** **** Jun. 2, 2020**

(54) **COVER**

FOREIGN PATENT DOCUMENTS

(71) Applicant: **Dometic Sweden AB**, Solna (SE)

AU 201717920 2/2018
AU 201810504 2/2018

(72) Inventors: **Kristoffer Olsson**, Stockholm (SE);
Samuele Meda, Solna (SE)

(Continued)

(73) Assignee: **DOMETIC SWEDEN AB**, Solna (SE)

OTHER PUBLICATIONS

(**) Term: **15 Years**

Dometic 2015 Full Line Catalog—Refrigerators, 2015.
(Continued)

(21) Appl. No.: **29/631,236**

Primary Examiner — Khawaja Anwar

(22) Filed: **Dec. 28, 2017**

(74) *Attorney, Agent, or Firm* — Middleton Reutlinger

(30) **Foreign Application Priority Data**

Jun. 30, 2017 (EM) 004077170

(51) **LOC (12) Cl.** **15-07**

(52) **U.S. Cl.**
USPC **D15/89**

(58) **Field of Classification Search**

USPC D15/79–91
CPC .. F25D 11/00; F25D 17/065; F25D 2325/022;
F25D 23/069; F25D 25/025; F25D 11/02;
F25D 17/062; F25D 21/12; F25D 21/125;
F25D 21/14; F25D 2317/061; F25D
2317/067; F25D 2323/021; F25D
2323/024; F25D 23/028; F25D 23/04;
F25D 23/066; F25D 23/085; F25D
23/087; F25D 23/126; F25D 2400/02;
F25D 2400/06; F25D 2400/361; F25D
2400/40; F25D 25/005; F25D 25/02;
F25D 2600/02; F25D

(Continued)

(56) **References Cited**

U.S. PATENT DOCUMENTS

D342,744 S 12/1993 Renner
D468,325 S 1/2003 Lorek et al.
D468,326 S 1/2003 Lorek et al.

(Continued)

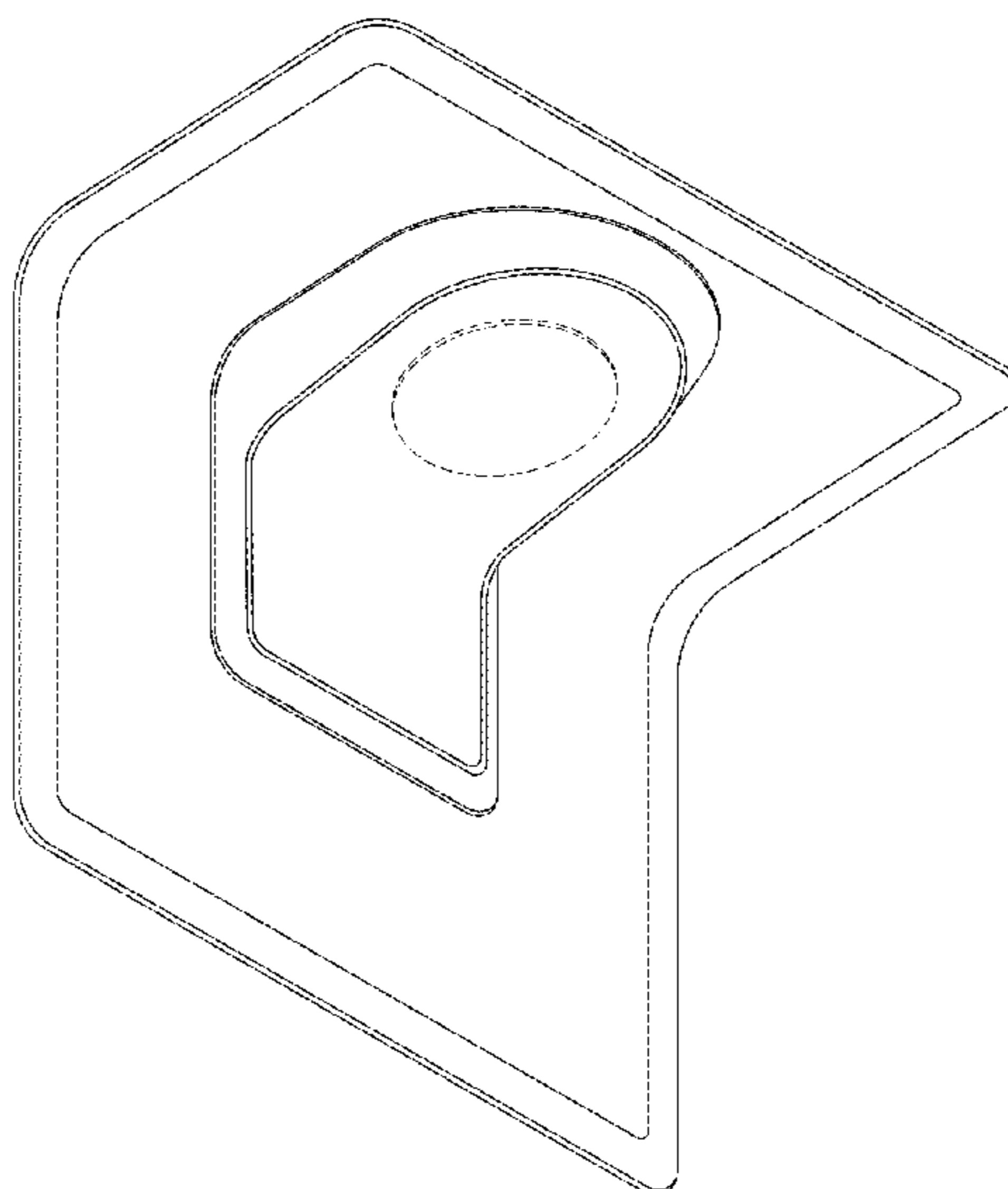
(57) **CLAIM**

The ornamental design for a cover, as shown and described.

DESCRIPTION

FIG. 1 is a first perspective view of a first cover design;
FIG. 2 is a second perspective view of the cover design of
FIG. 1;
FIG. 3 a front view of the cover design of FIG. 1;
FIG. 4 is a first side view of the cover design of FIG. 1; and,
FIG. 5 is a second side view of the cover design of FIG. 1;
FIG. 6 is a first perspective view of a second cover design;
FIG. 7 is a second perspective view of the cover design of
FIG. 6;
FIG. 8 a front view of the cover design of FIG. 6;
FIG. 9 is a first side view of the cover design of FIG. 6; and,
FIG. 10 is a second side view of the cover design of FIG. 6.
The broken lines shown in the drawings are included for the
purpose of illustrating the unclaimed boundary and
unclaimed portions of the cover. The broken lines form no
part of the claimed design.

1 Claim, 10 Drawing Sheets



(58) **Field of Classification Search**
 CPC 2700/02; F25D 2700/12; F25D 2700/121;
 F25D 2700/14; F25D 29/00

AU	201810513	2/2018
CN	304887724 S	11/2018
CN	304888719 S	11/2018

See application file for complete search history.

OTHER PUBLICATIONS

(56) **References Cited**

U.S. PATENT DOCUMENTS

D468,327 S	1/2003	Lorek et al.	
D476,667 S	7/2003	Lorek et al.	
D495,722 S	9/2004	Avalos et al.	
D604,340 S	11/2009	Kim et al.	
D759,131 S *	6/2016	Ogg	D15/89
D761,885 S *	7/2016	McConnell	D15/89
D761,886 S *	7/2016	Seo	D15/89
D795,312 S *	8/2017	Shoemaker	D15/89
D831,708 S *	10/2018	Kim	D15/89
D839,317 S *	1/2019	de Cavalcanti	D15/89
D848,493 S *	5/2019	Ammerman	D15/89
D851,139 S *	6/2019	Corey	D15/89
D852,234 S *	6/2019	de Cavalcanti	D15/89
D854,057 S *	7/2019	de Cavalcanti	D15/89
D865,007 S	10/2019	Meda et al.	
D866,620 S	11/2019	Legros et al.	
2009/0142458 A1	6/2009	McCann	
2018/0347891 A1	12/2018	Lundqvist et al.	

FOREIGN PATENT DOCUMENTS

AU	201810505	2/2018
AU	201810506	2/2018
AU	201810507	2/2018
AU	201810509	2/2018
AU	201810512	2/2018

Dometic 2016 Product Catalog—Refrigerators, 2016.
 Formalities notice No. 1 received in AU Design Application No. 201717920 dated Jan. 22, 2018.
 Notice of Granting Patent Right for Design Application No. 201730679685.1, dated Aug. 21, 2018.
 Notice of Granting Patent Right for Design Application No. 201830432641.3, dated Sep. 26, 2018.
 Design U.S. Appl. No. 29/594,936, filed Feb. 23, 2017.
 Design U.S. Appl. No. 29/631,238, filed Dec. 28, 2017.
 Design U.S. Appl. No. 29/637,464, filed Feb. 19, 2018.
 Restriction Requirement/ Election Mailed in Design U.S. Appl. No. 29/631,238 dated Nov. 1, 2019.
 Design U.S. Appl. No. 29/715,466, filed Dec. 2, 2019.
 Transmittal Letter of Related Cases dated Dec. 12, 2018.
 Application No. E0004077170 as filed Jun. 30, 2017.
 European Union Intellectual Property Office, Notification of Registration of 004077170-0001/004077170-0008 dated Jul. 3, 2017.
 State Intellectual Property Office of People's Republic of China; English translation for Notification of the First Office Action for Chinese Patent Application No. 201730679685.1 dated May 23, 2018.
 Notice of Allowance for U.S. Appl. No. 29/631,238, dated Jan. 8, 2020. 6 Pages.
 Notice of Allowance for Patent U.S. Appl. No. 29/631,238, dated Feb. 14, 2020.
 United States Design Patent U.S. Appl. No. 29/731,322, filed Apr. 14, 2020.

* cited by examiner

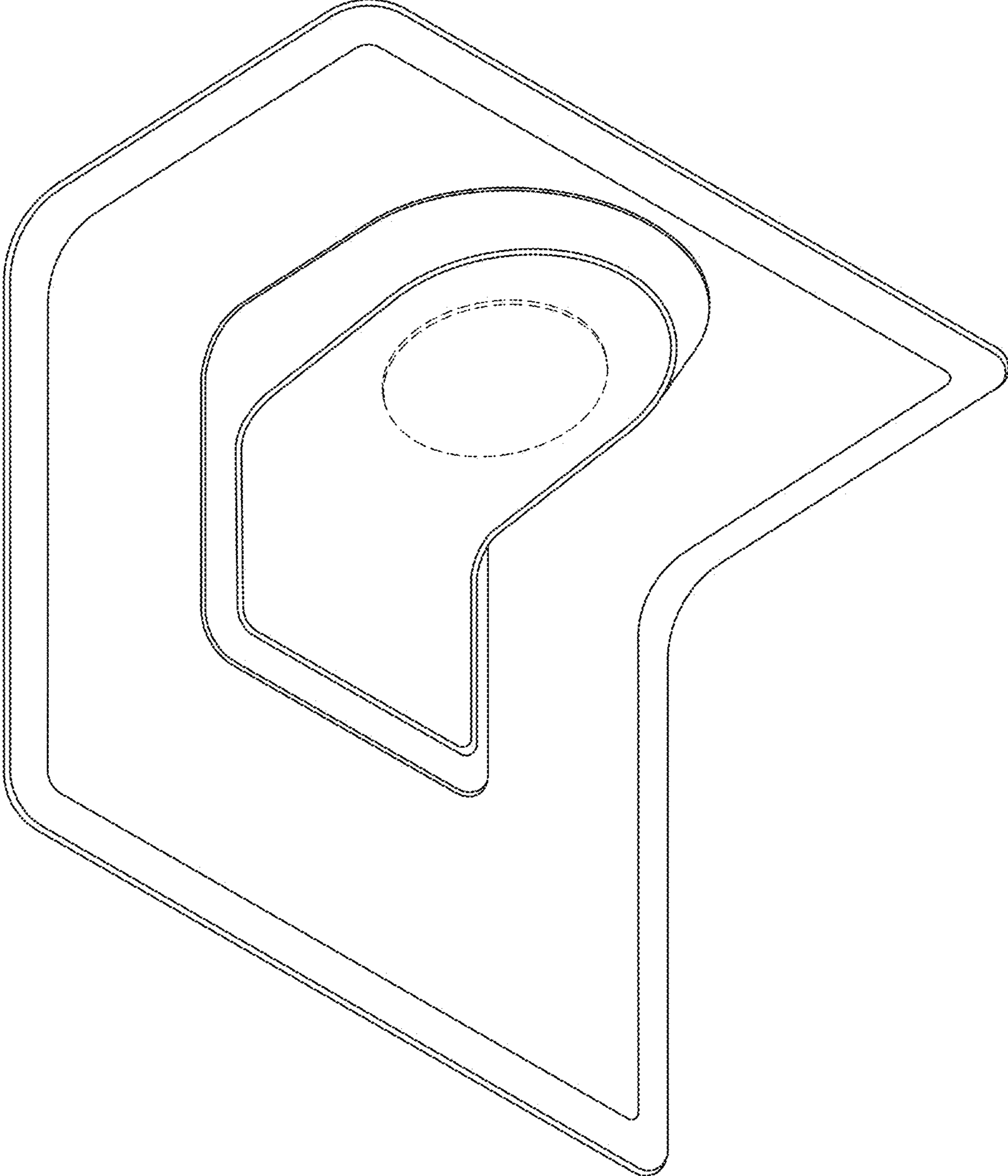


FIG. 1

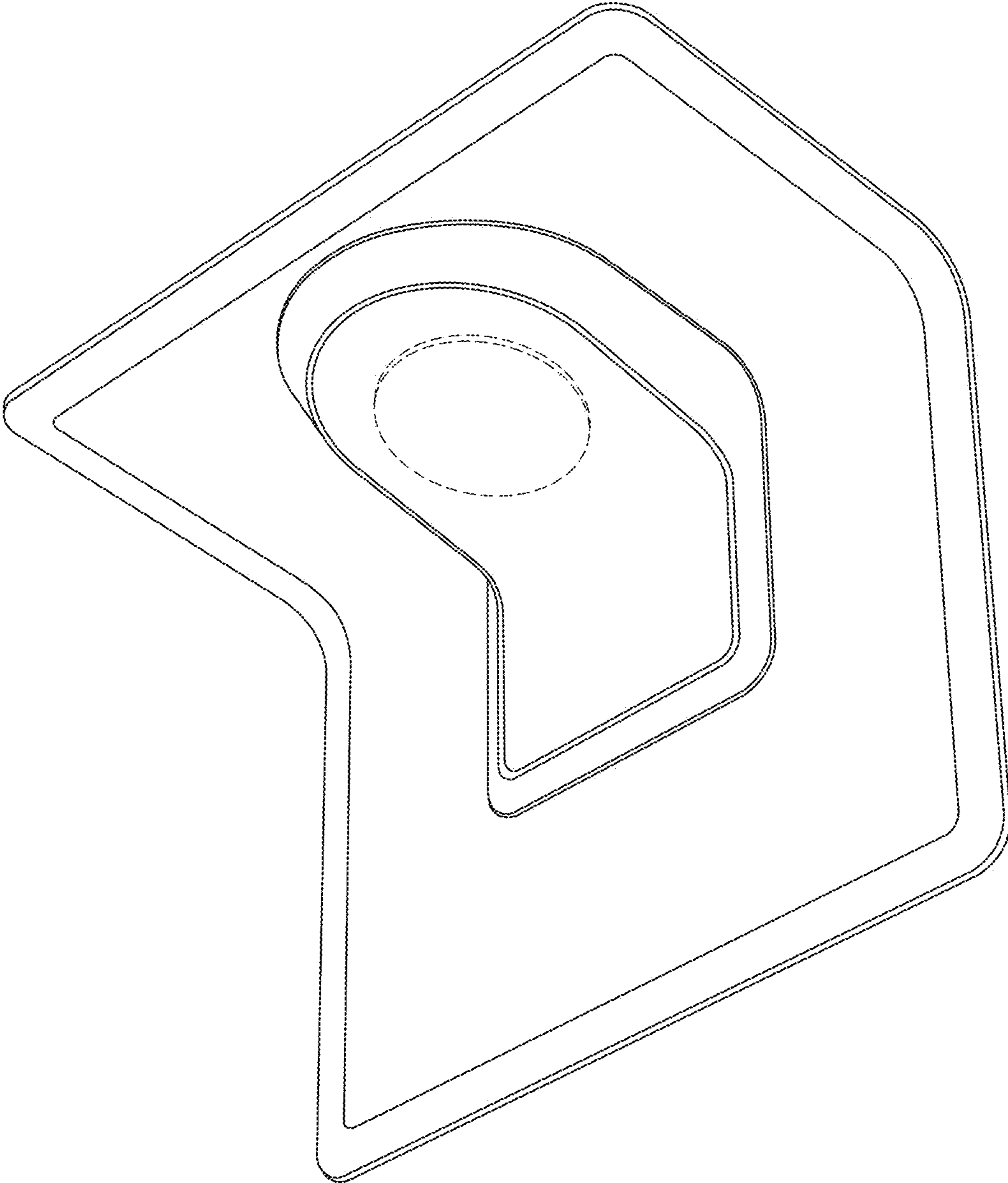


FIG. 2

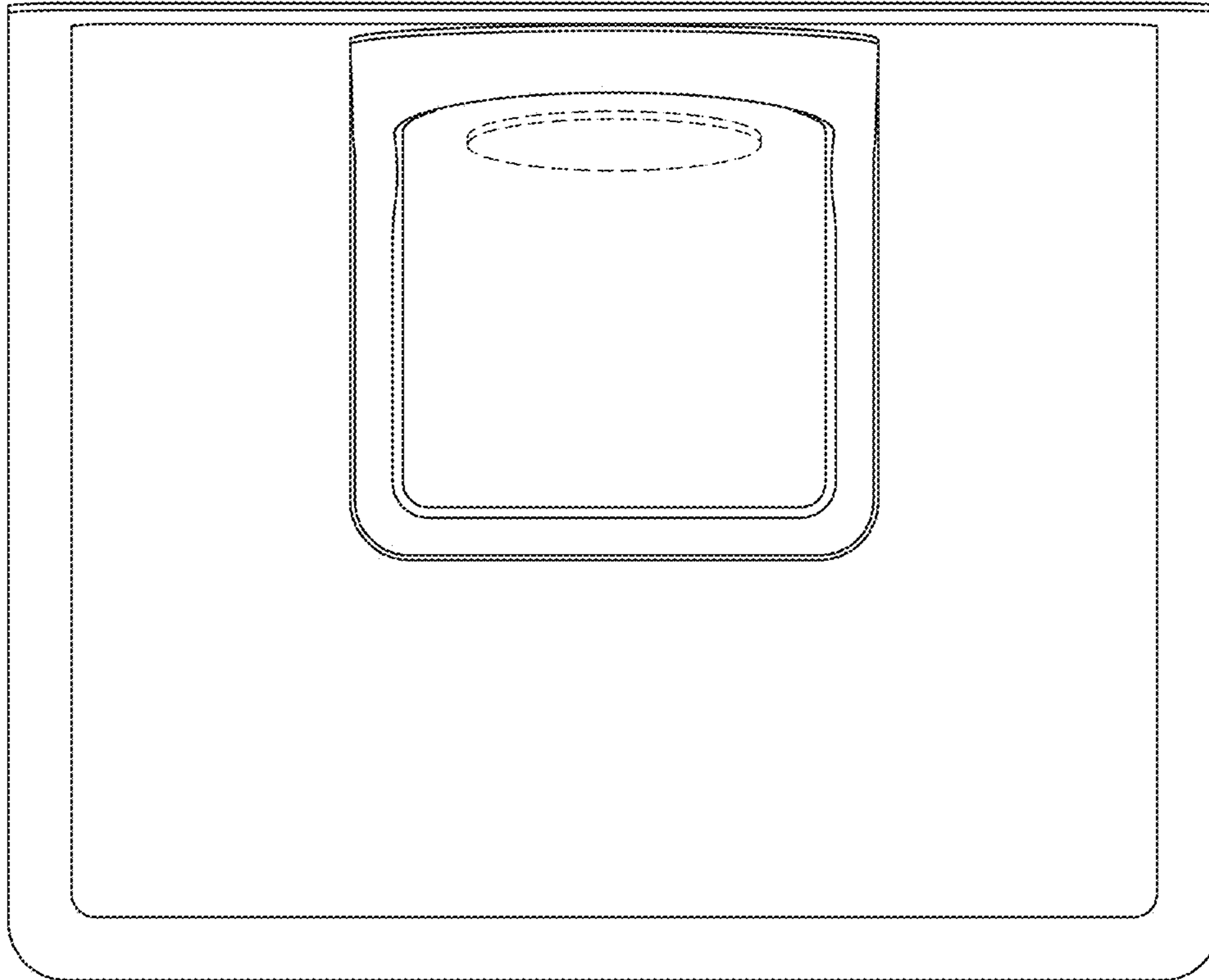


FIG. 3

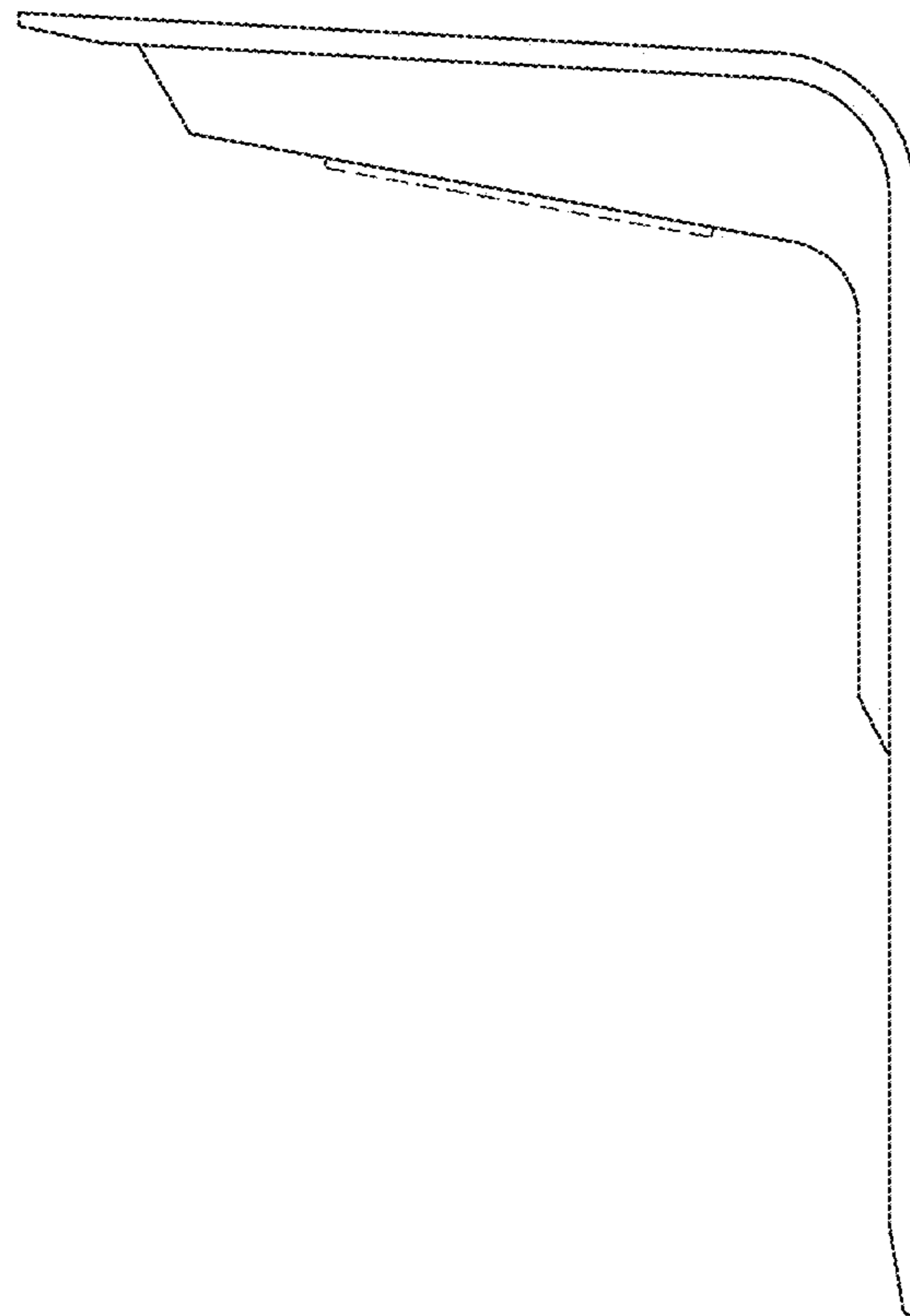


FIG. 4

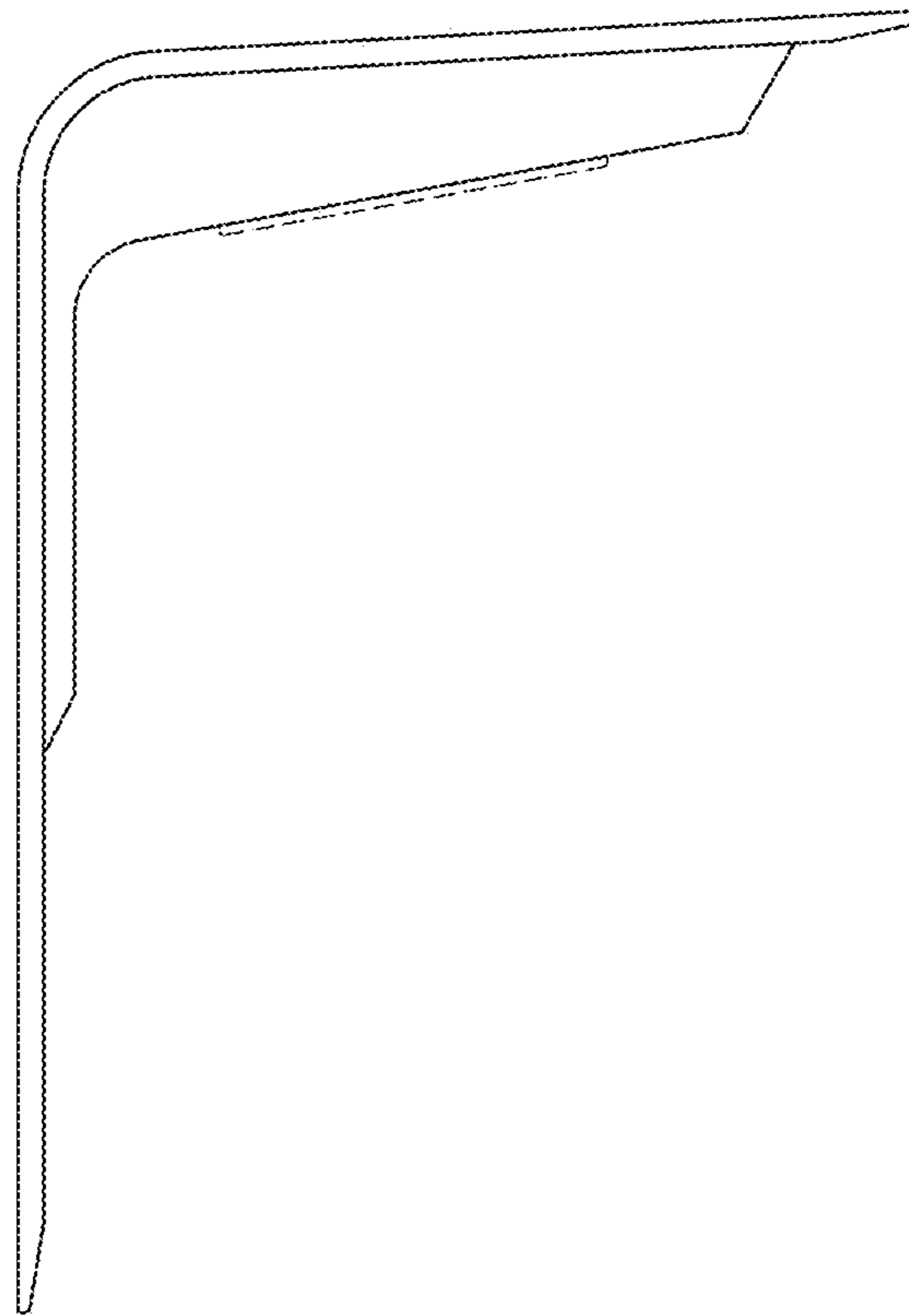


FIG. 5

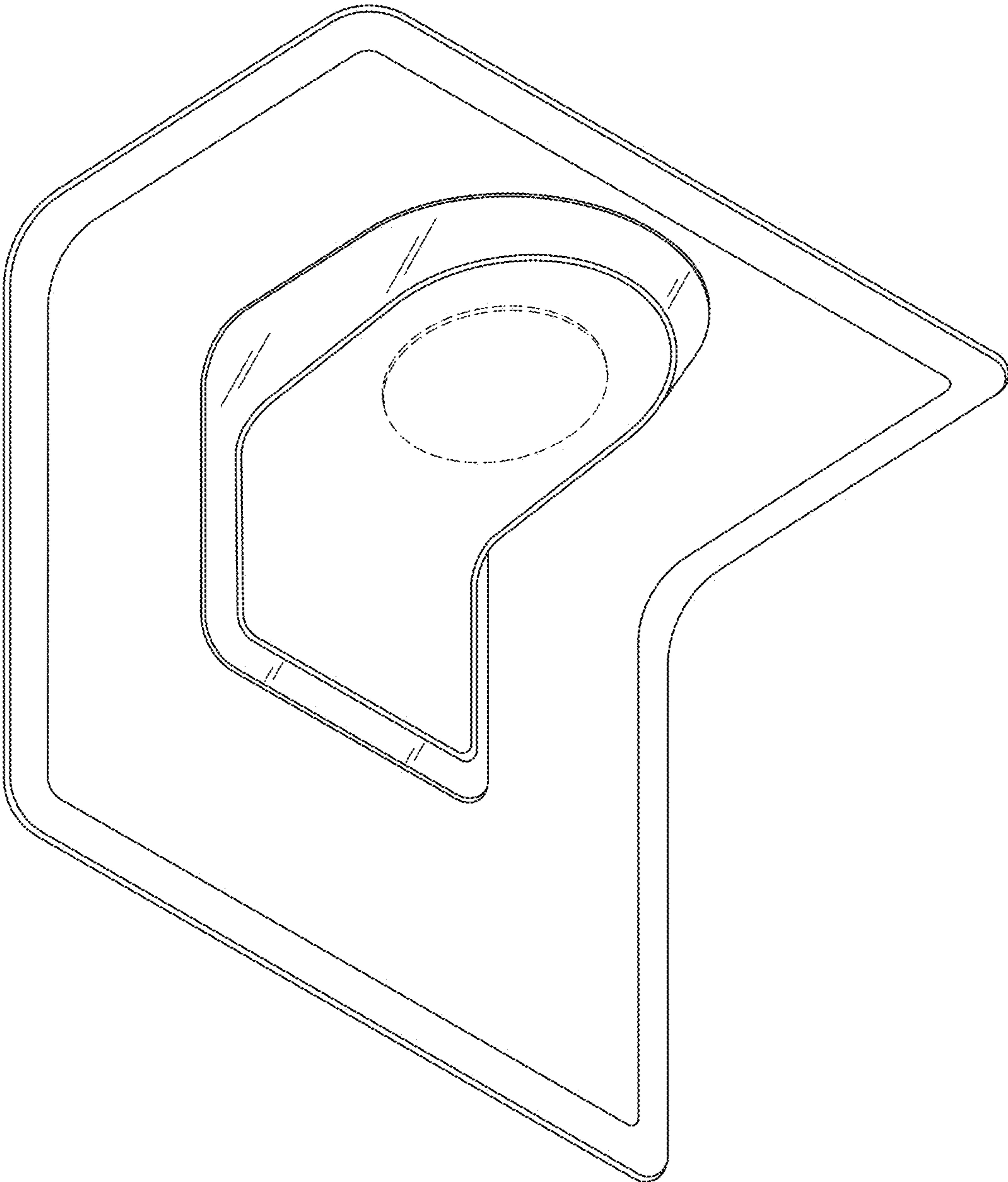


FIG. 6

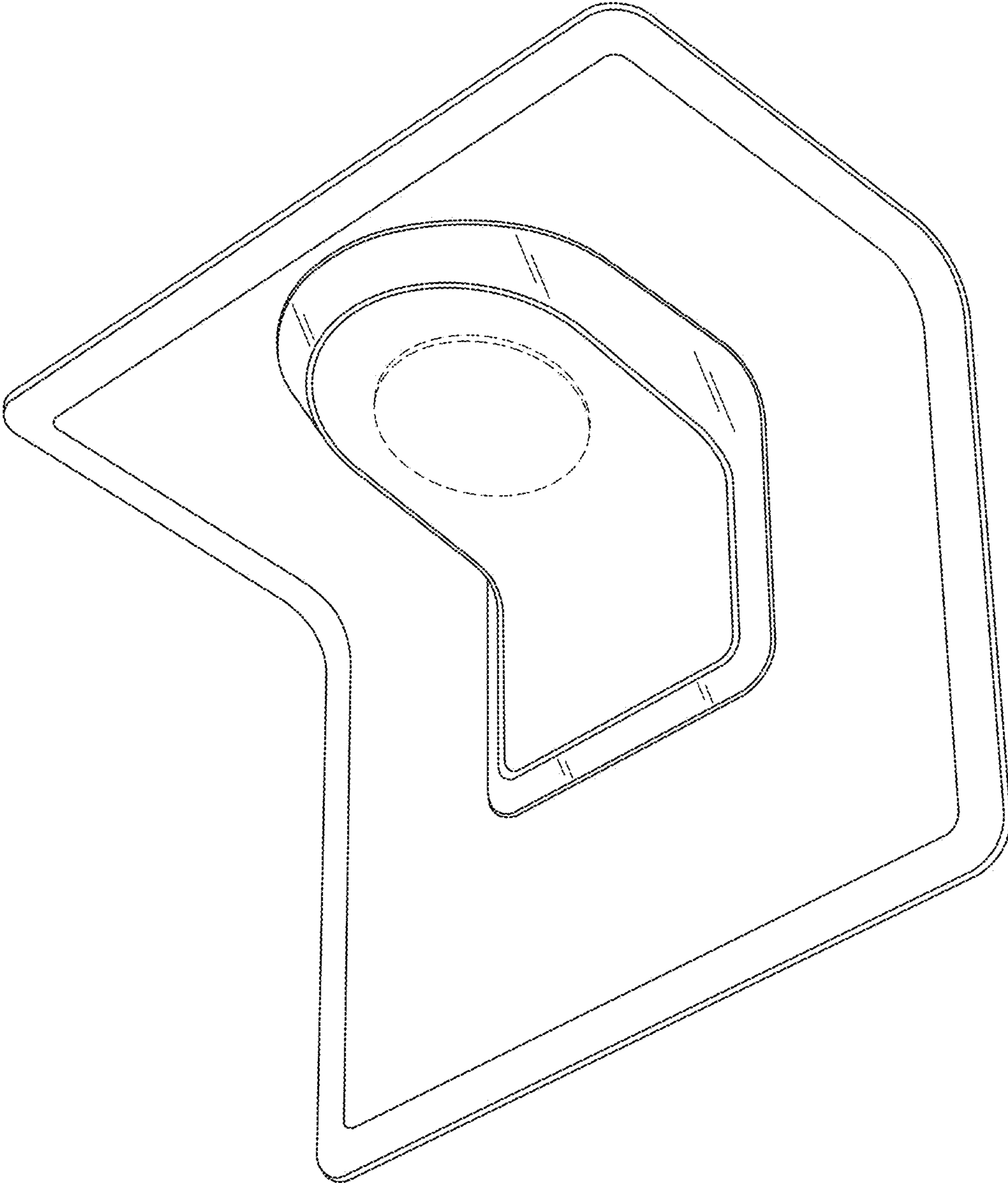


FIG. 7

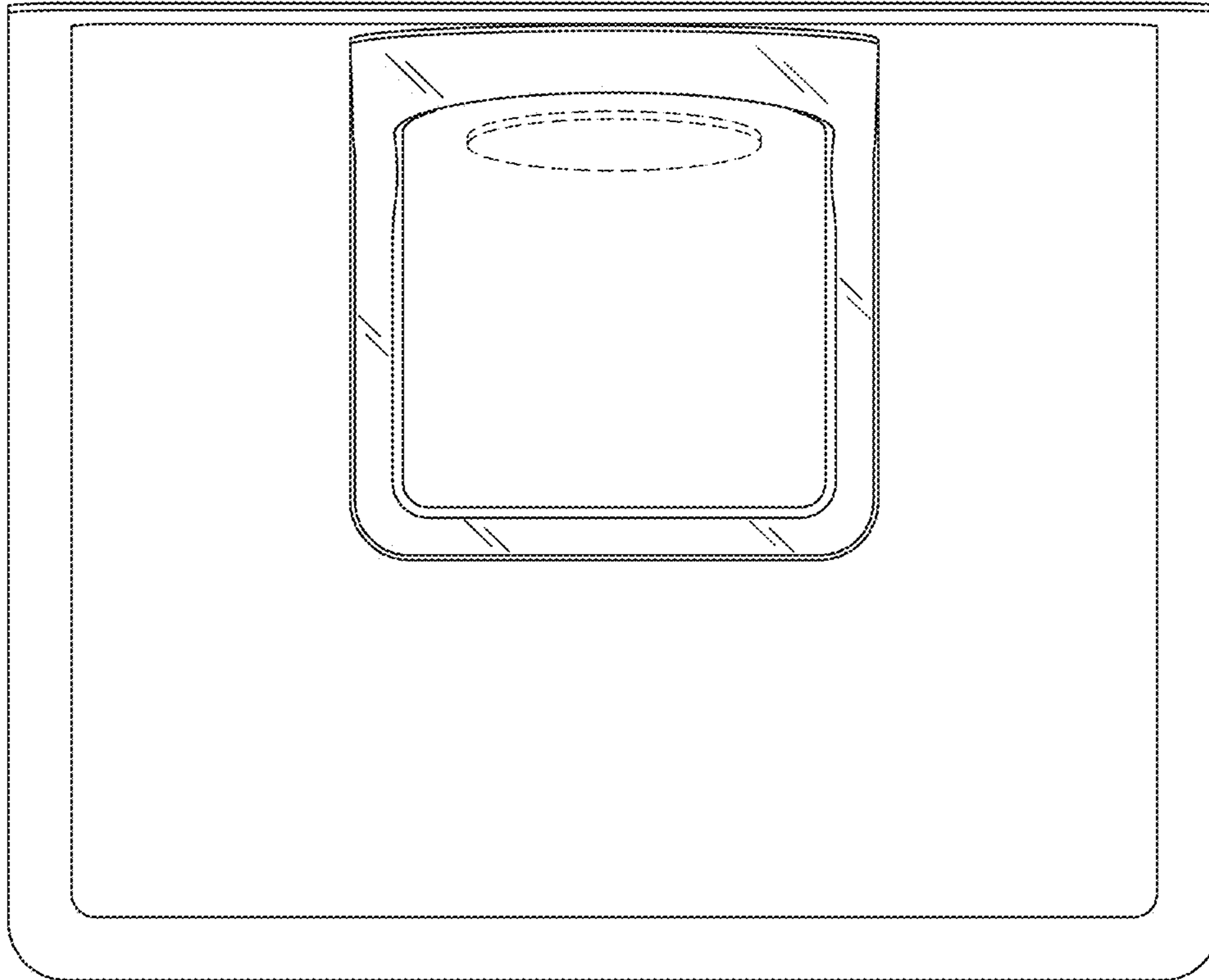


FIG. 8

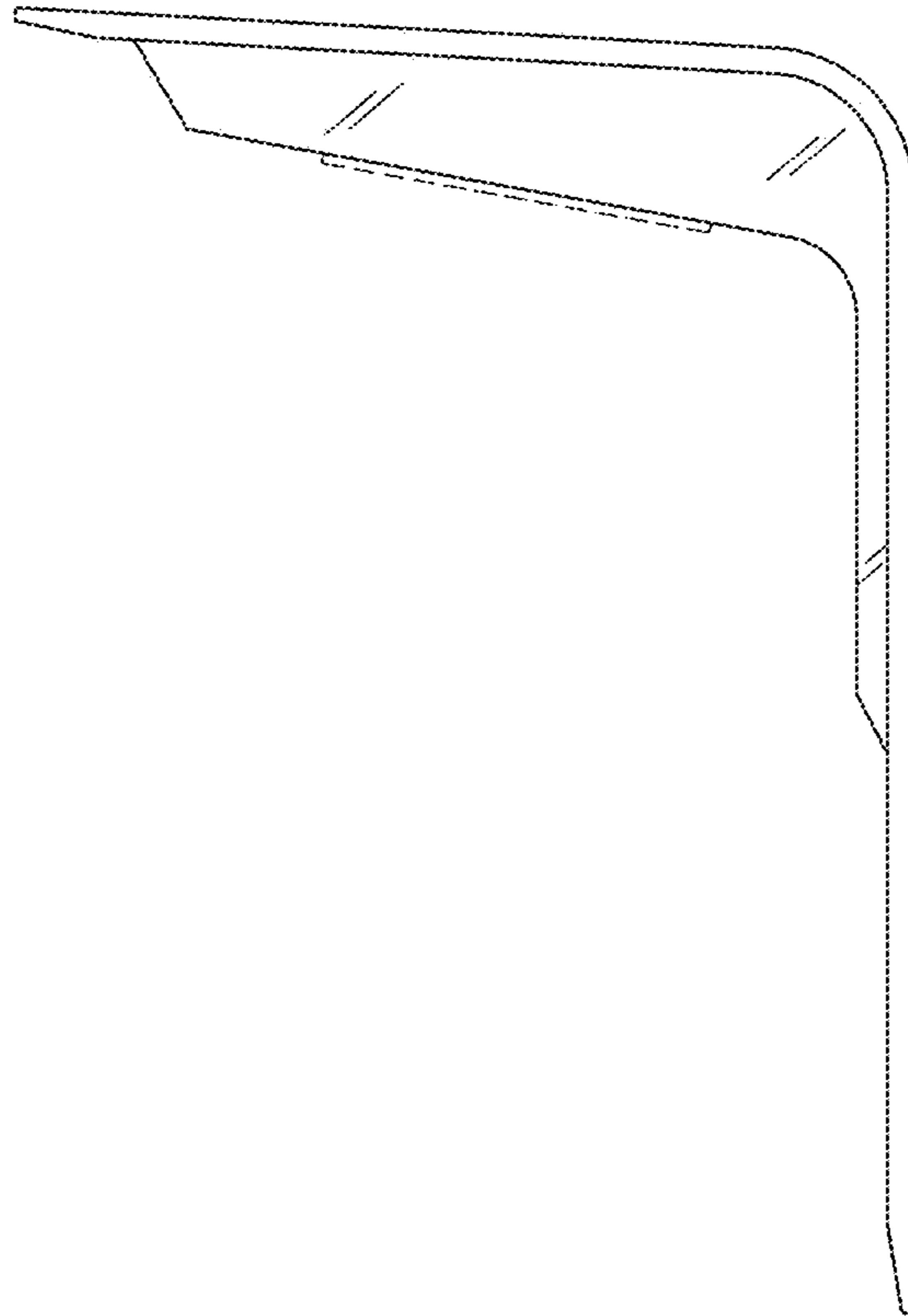


FIG. 9

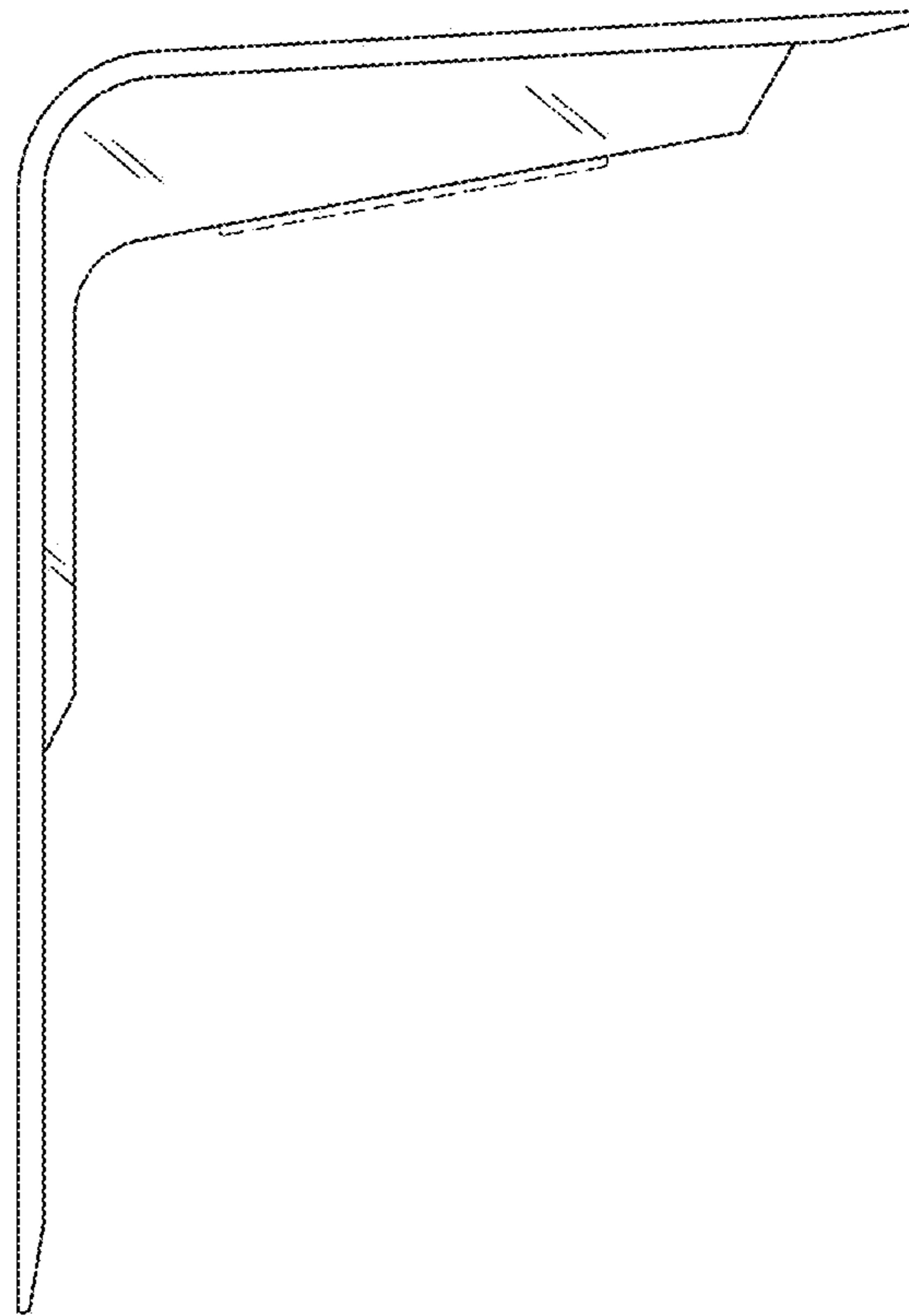


FIG. 10