



US00D886164S

(12) **United States Design Patent**
Mangiarotti et al.

(10) **Patent No.: US D886,164 S**
(45) **Date of Patent: ** Jun. 2, 2020**

(54) **REFRIGERATOR**

2500/06; F25D 2700/02; F25D 2700/12;
F25D 29/005; F25D 29/008; F25D
31/002

(71) Applicant: **Smeg S.p.A.**, Guastalla (RE) (IT)

See application file for complete search history.

(72) Inventors: **Raffaella Mangiarotti**, Milan (IT);
Leopoldo Bazzicalupo, Sale Marasino
(IT); **Bujar Taga**, Guastalla (IT)

(56) **References Cited**

U.S. PATENT DOCUMENTS

(73) Assignee: **SMEG S.P.A.** (IT)

D287,133 S *	12/1986	Owen	D15/81
D290,012 S *	5/1987	Owen	D15/81
D776,171 S *	1/2017	Wang	D15/88
D803,903 S *	11/2017	Wang	D15/88
D847,874 S *	5/2019	Kim	D15/81
D852,853 S *	7/2019	Kim	D15/81
D853,454 S *	7/2019	Kim	D15/81

(**) Term: **15 Years**

(21) Appl. No.: **35/506,654**

(22) Filed: **Oct. 16, 2018**

* cited by examiner

(80) **Hague Agreement Data**

Int. Filing Date: **Oct. 16, 2018**
Int. Reg. No.: **DM/200503**
Int. Reg. Date: **Oct. 16, 2018**
Int. Reg. Pub. Date: **Apr. 19, 2019**

Primary Examiner — Richard E Chilcot

(74) *Attorney, Agent, or Firm* — The Belles Group, P.C.

(57) **CLAIM**

The ornamental design for a refrigerator, as shown and described.

(30) **Foreign Application Priority Data**

Apr. 16, 2018 (EM) 005236536

(51) **LOC (12) Cl.** **15-07**

(52) **U.S. Cl.**

USPC **D15/81**; D15/88

CPC **F25D 29/00** (2013.01)

(58) **Field of Classification Search**

USPC D15/79–91

CPC F25D 29/00; F25D 11/003; F25D 2700/08;

F25D 11/02; F25D 11/022; F25D 13/06;

F25D 19/006; F25D 2201/14; F25D

2323/00261; F25D 2323/00262; F25D

2323/00272; F25D 2400/361; F25D

DESCRIPTION

1. Refrigerator

1.1 Front perspective view with the door in the open position;

1.2 Front perspective view with the door in the close position;

1.3 Front view with the door in the open position;

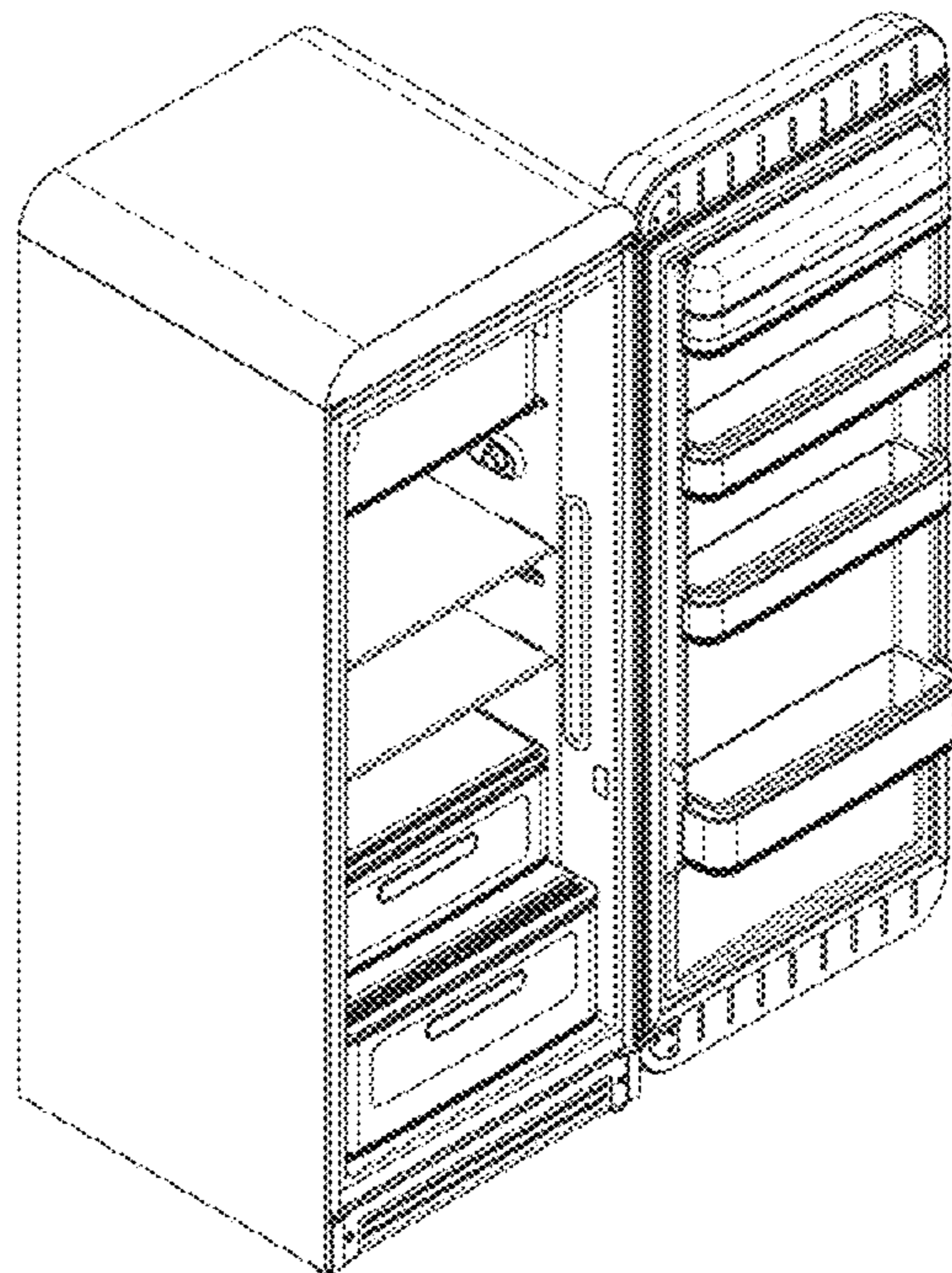
1.4 Rear view with the door in the open position; and

1.5 : Right side view

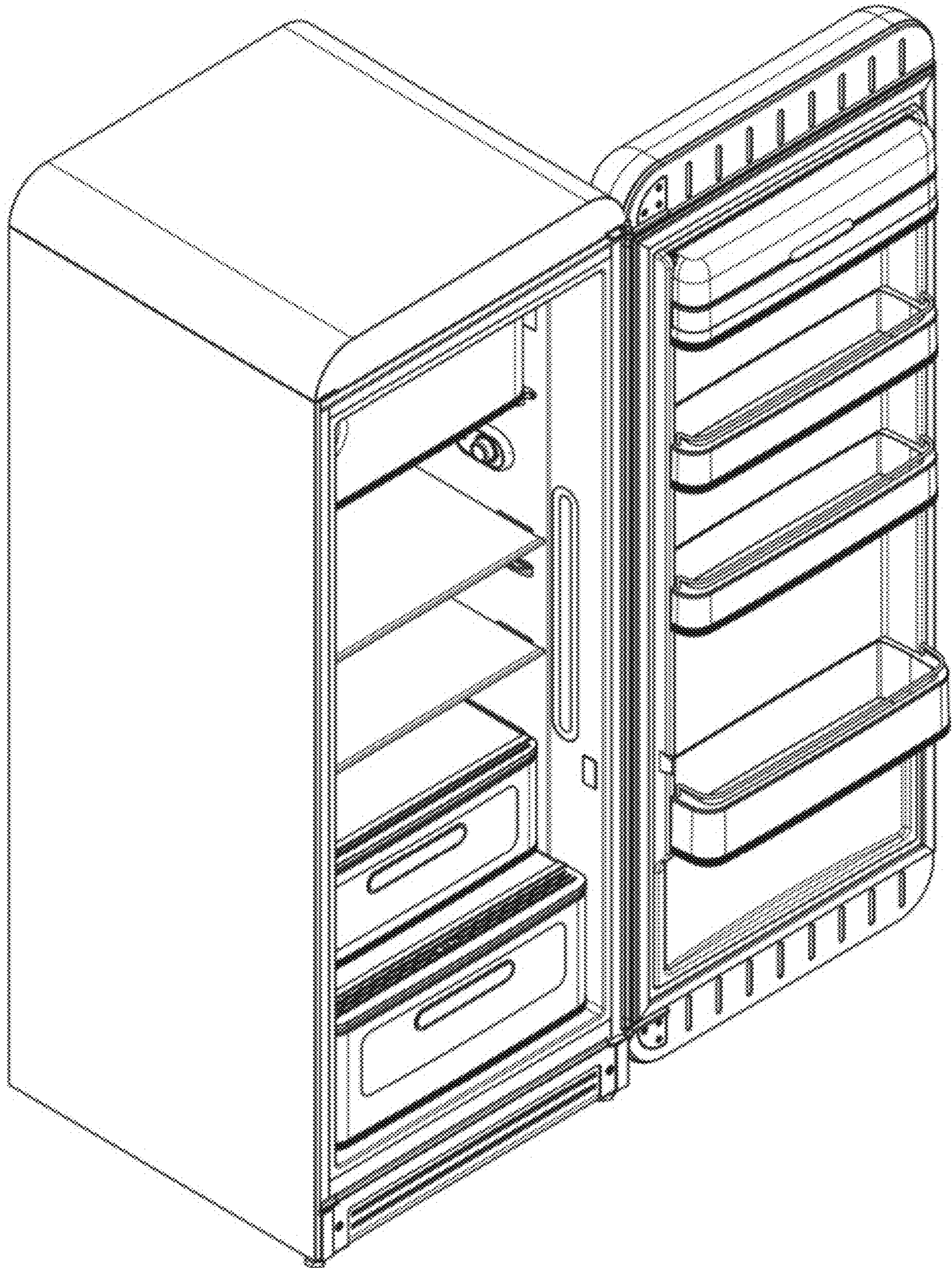
1.6 : Left side view

1.7 Top view with the door in the open position.

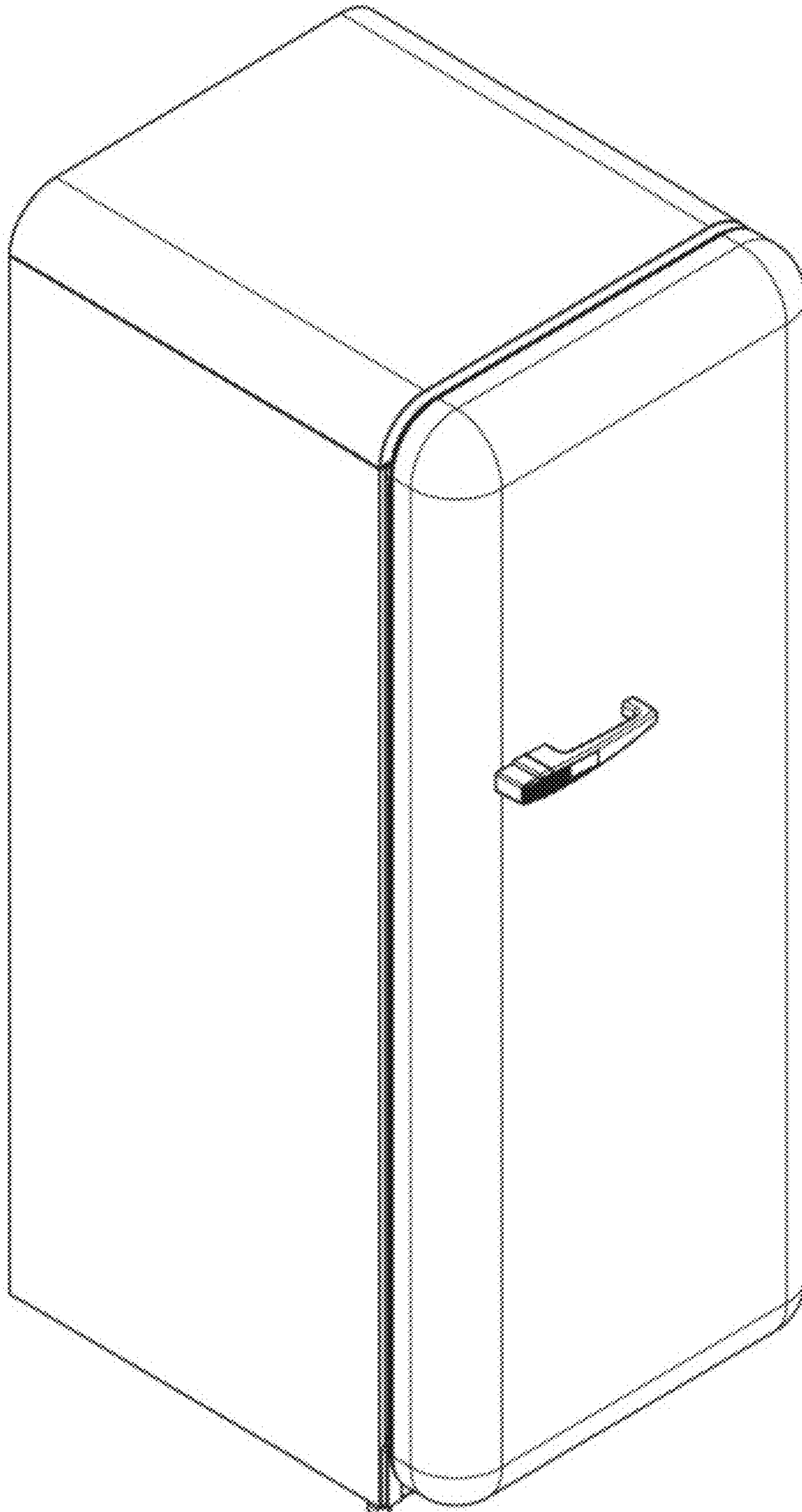
1 Claim, 7 Drawing Sheets



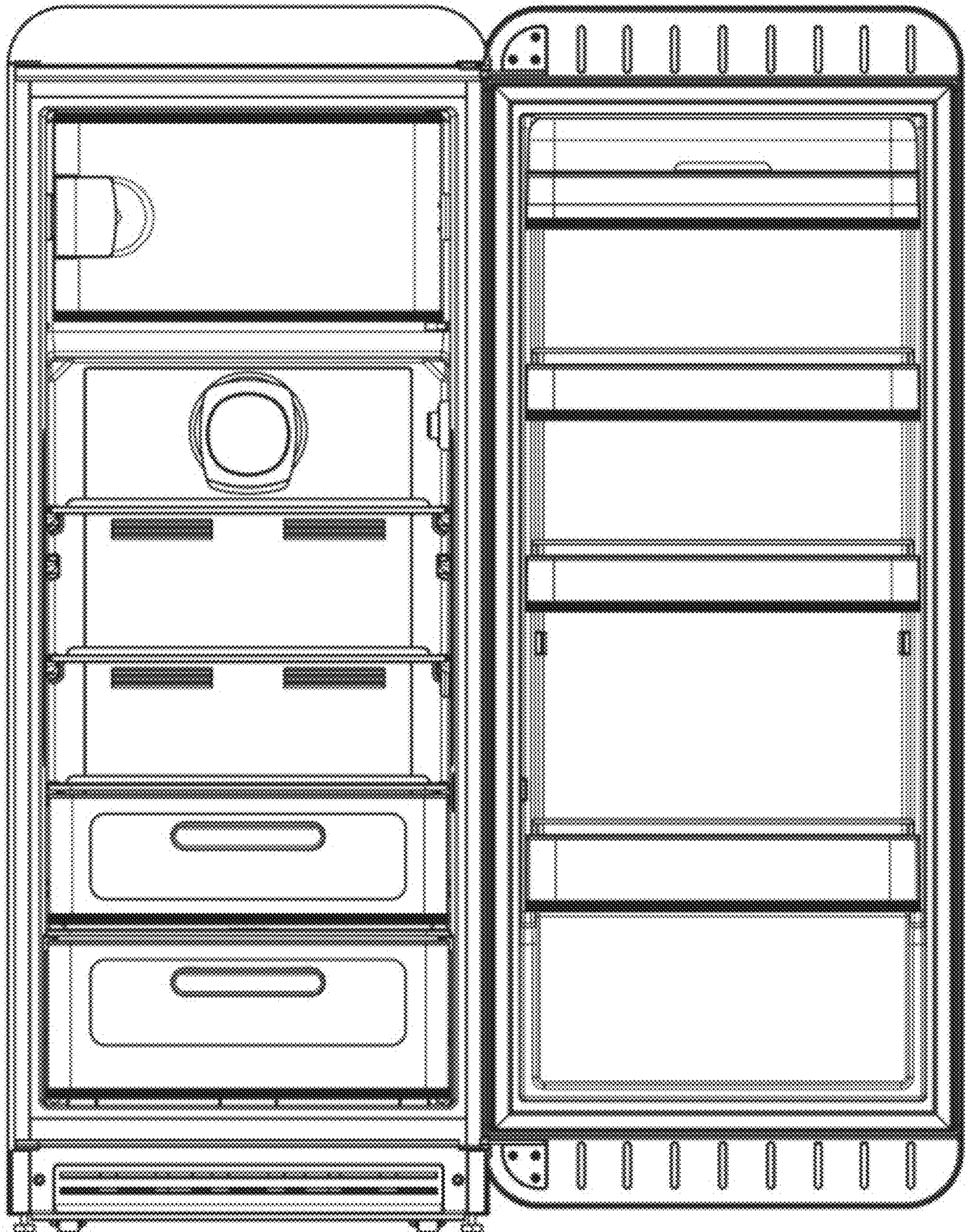
1.1



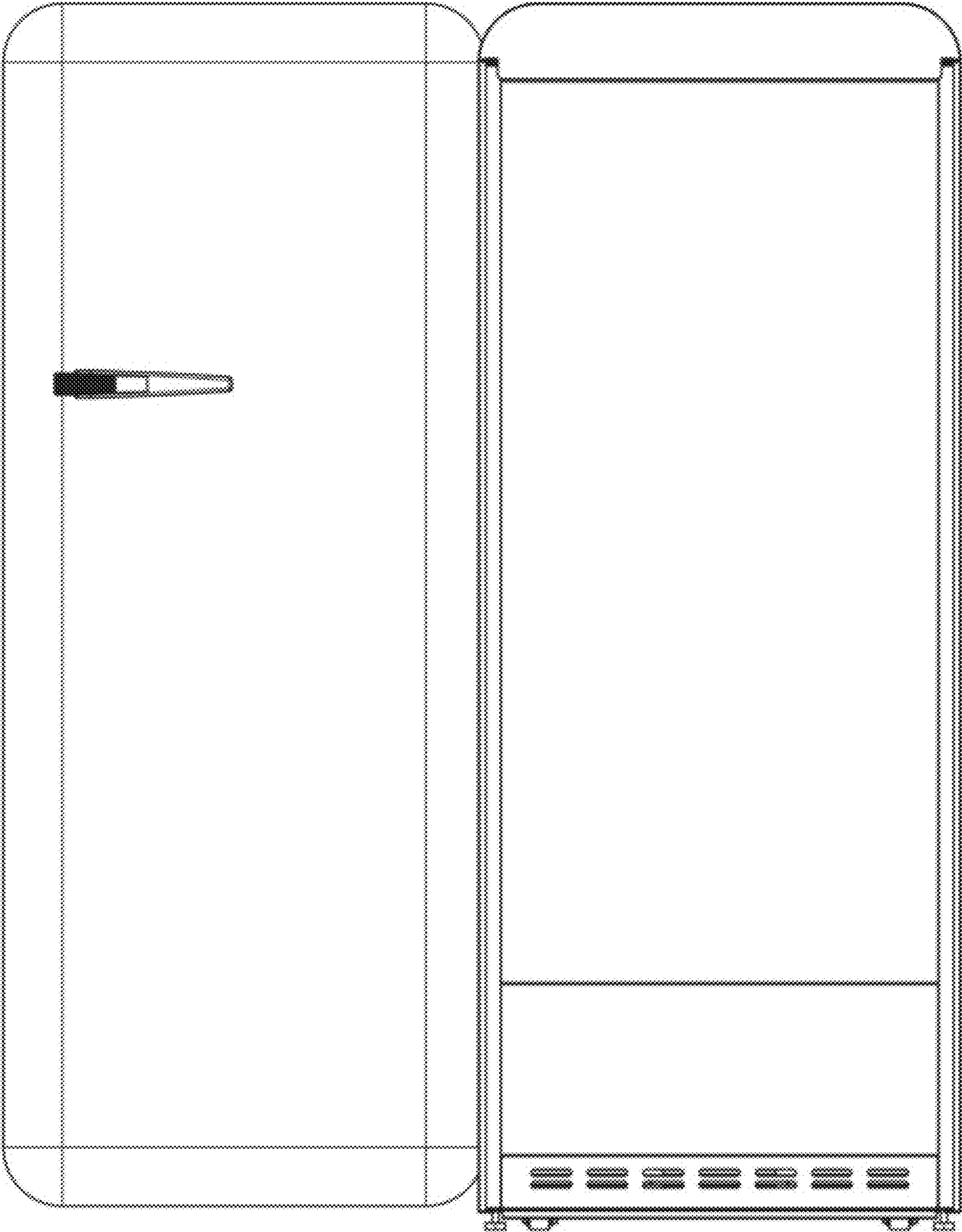
1.2



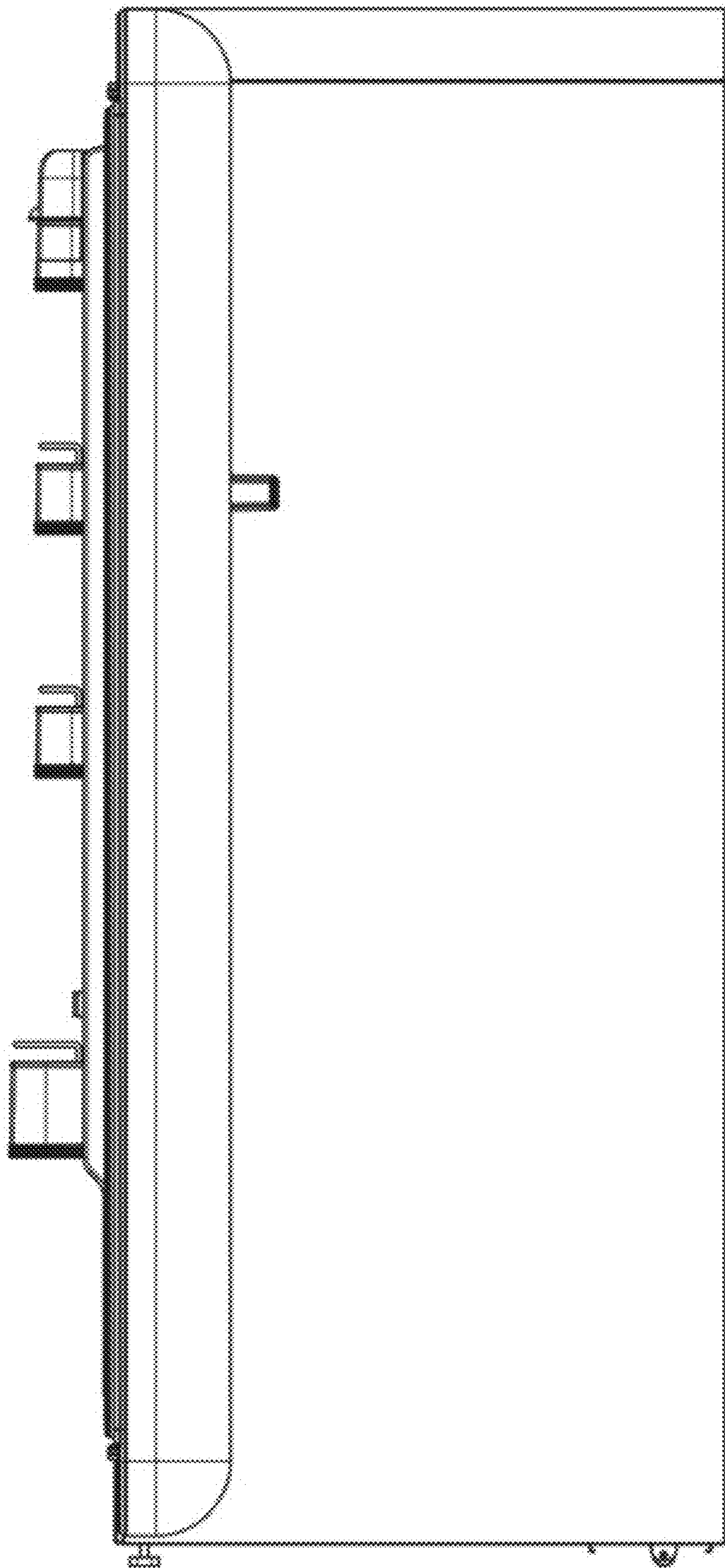
1.3



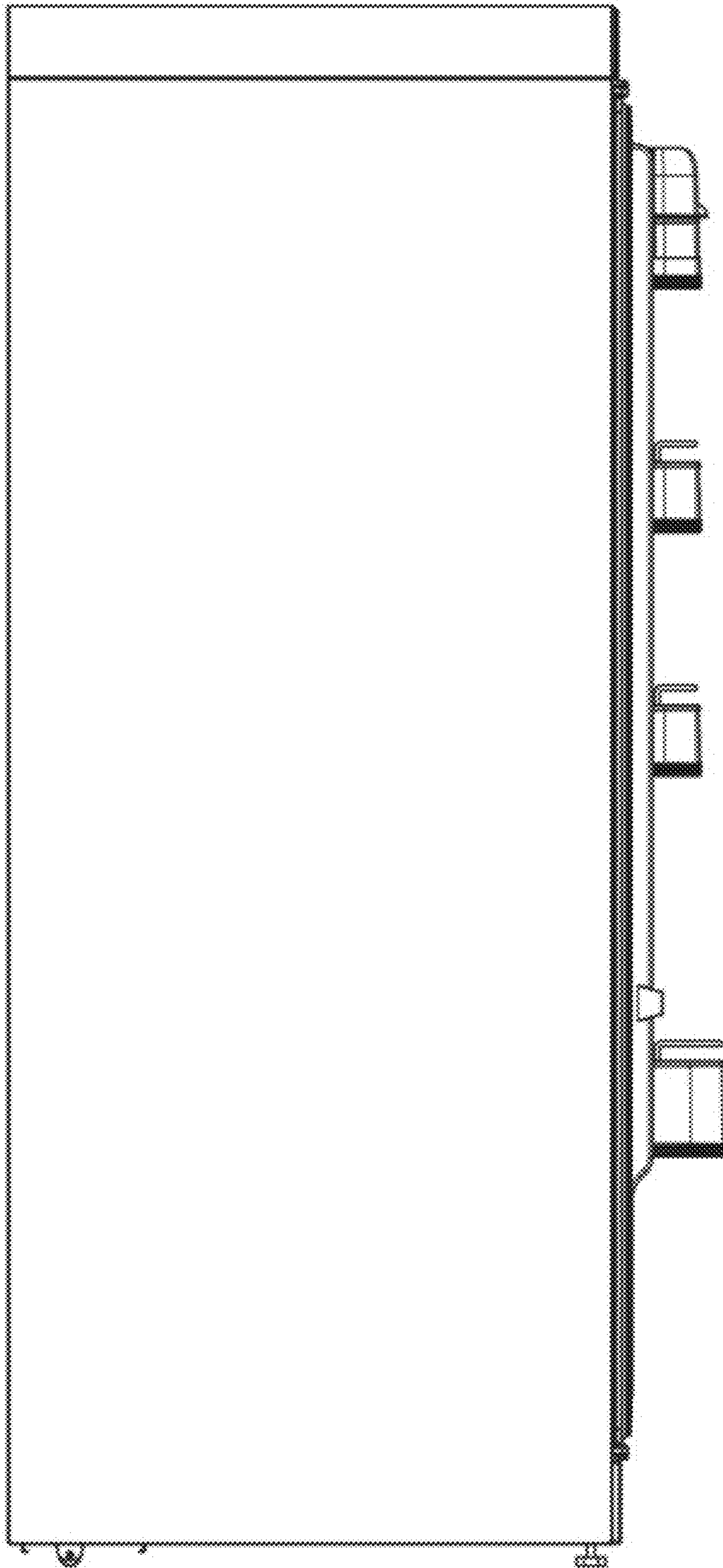
1.4



1.5



1.6



1.7

