



US00D886163S

(12) **United States Design Patent**  
**Yao**

(10) **Patent No.:** **US D886,163 S**  
(45) **Date of Patent:** **\*\* Jun. 2, 2020**

(54) **PORTABLE REFRIGERATOR**

(71) Applicant: **Shenzhen San Jutou Network Technology Co., Ltd., Shenzhen (CN)**

(72) Inventor: **Zhihao Yao, Shenzhen (CN)**

(73) Assignee: **SHENZHEN SAN JUTOU NETWORK TECHNOLOGY CO., LTD., Shenzhen (CN)**

(\*\*) Term: **15 Years**

(21) Appl. No.: **29/721,942**

(22) Filed: **Jan. 24, 2020**

(51) **LOC (12) Cl.** ..... **15-07**

(52) **U.S. Cl.**  
USPC ..... **D15/81**

(58) **Field of Classification Search**  
USPC ..... D15/79-91  
CPC ..... F25D 17/065; F25D 2317/061; F25D 2323/023; F25D 23/028; F25D 23/126; F25D 11/02; F25D 2201/126; F25D 2201/1262; F25D 2201/14; F25D 2323/021; F25D 23/02; F25D 23/025; F25D 23/04; F25D 23/062; F25D 23/064; F25D 23/065; F25D 23/067; F25D 2400/361; F25D 25/025; F25D 25/04; F25D 29/005; F25D 29/006; F25D 31/005; F25D 3/06

See application file for complete search history.

(56) **References Cited**

**U.S. PATENT DOCUMENTS**

D556,792 S \* 12/2007 Moran ..... D15/81  
D568,909 S 5/2008 Santiago  
D618,257 S \* 6/2010 Hanamure ..... D15/79  
D744,011 S 11/2015 Reaux  
D752,660 S 3/2016 Chen

D781,930 S \* 3/2017 Ward ..... D15/79  
D800,799 S \* 10/2017 Feng ..... D15/81  
D807,929 S \* 1/2018 Feng ..... D15/81  
D810,151 S \* 2/2018 Wang ..... D15/88  
D813,574 S \* 3/2018 Patton ..... D6/671.1  
D838,298 S 1/2019 Choi  
D847,214 S 4/2019 Guo  
D853,454 S 7/2019 Kim  
D867,407 S \* 11/2019 Wang ..... D15/79  
D867,408 S \* 11/2019 Wang ..... D15/79

\* cited by examiner

*Primary Examiner* — Khawaja Anwar

(74) *Attorney, Agent, or Firm* — Muncy, Geissler, Olds & Lowe, P.C.

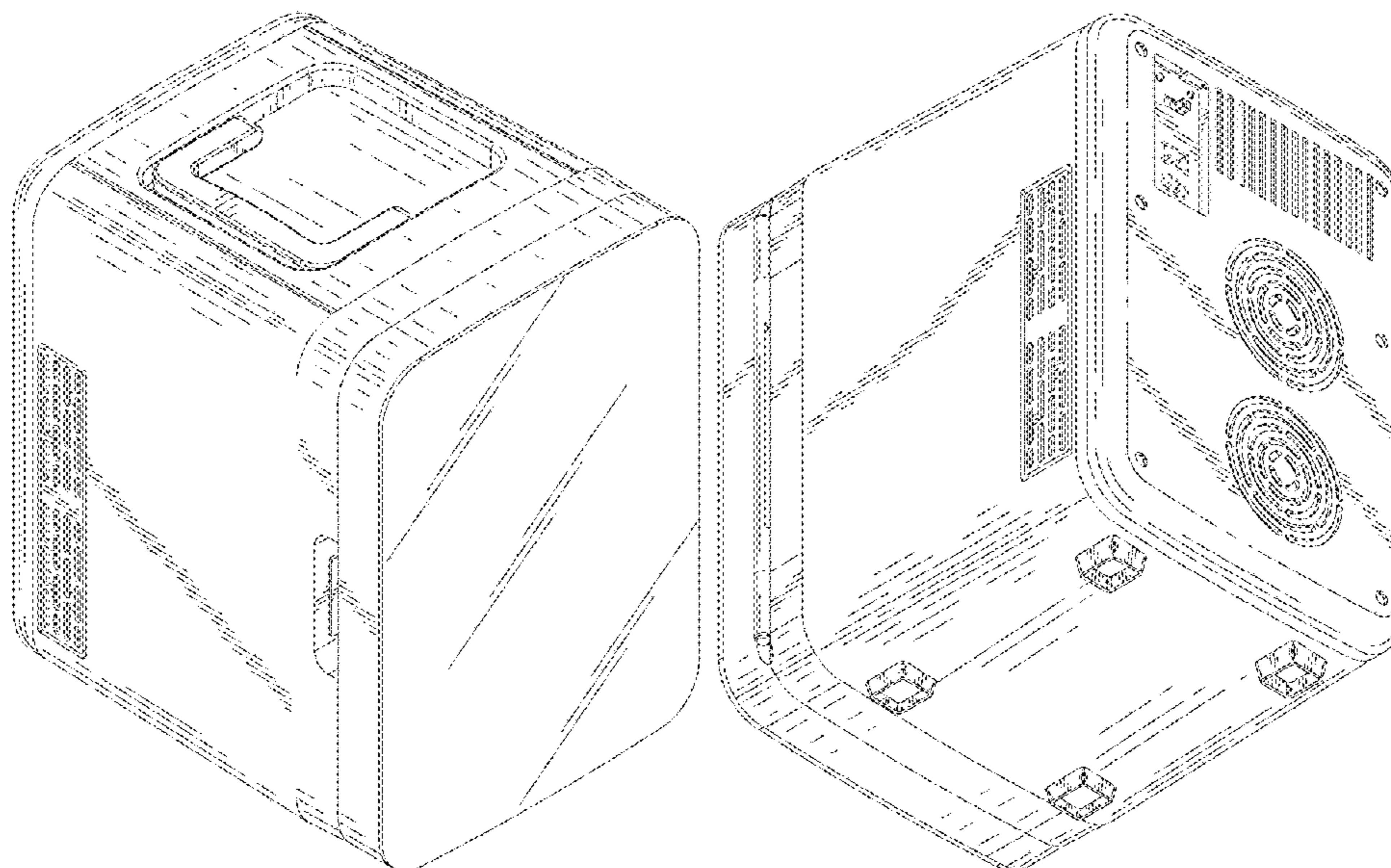
(57) **CLAIM**

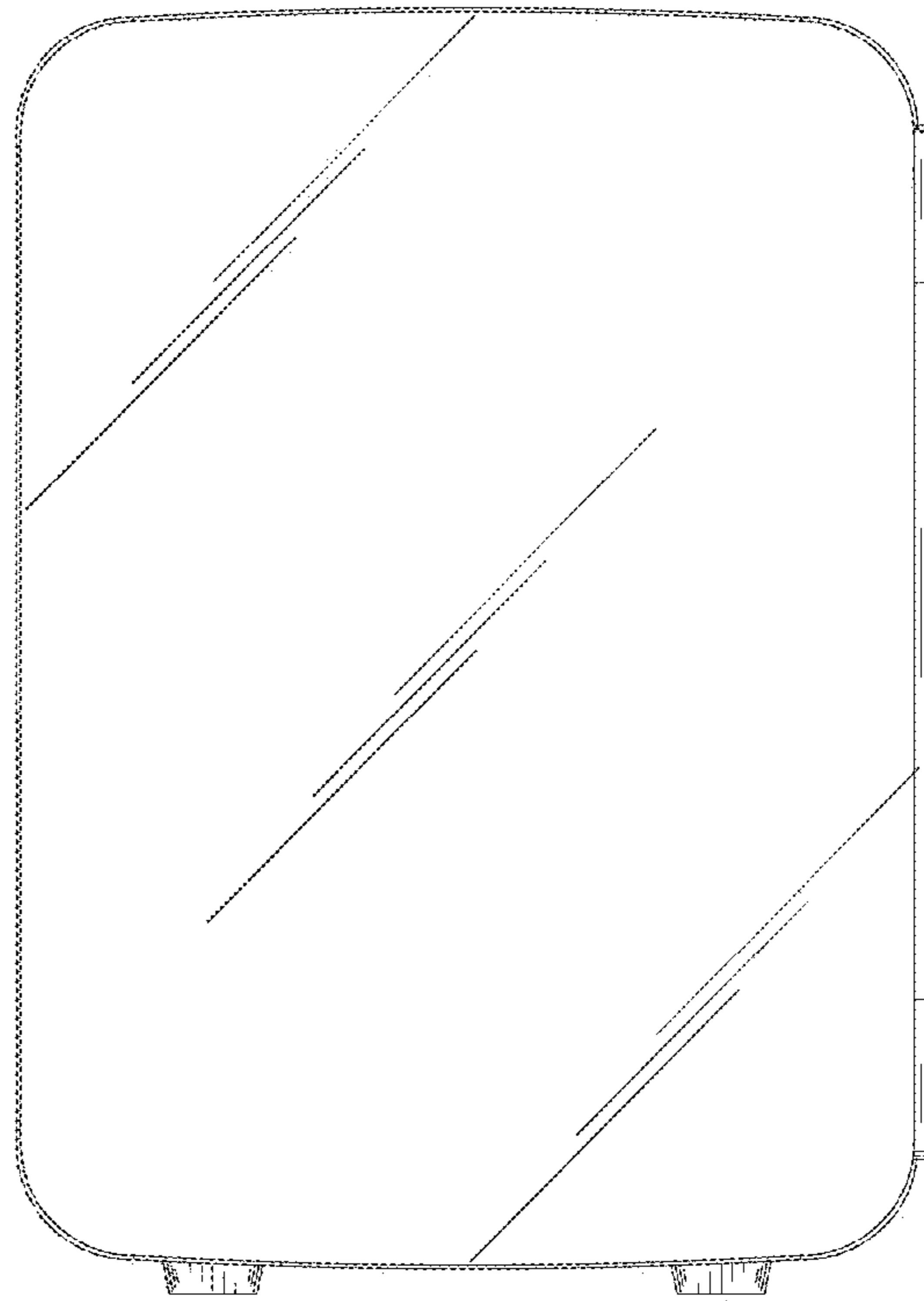
The ornamental design for a portable refrigerator, as shown and described.

**DESCRIPTION**

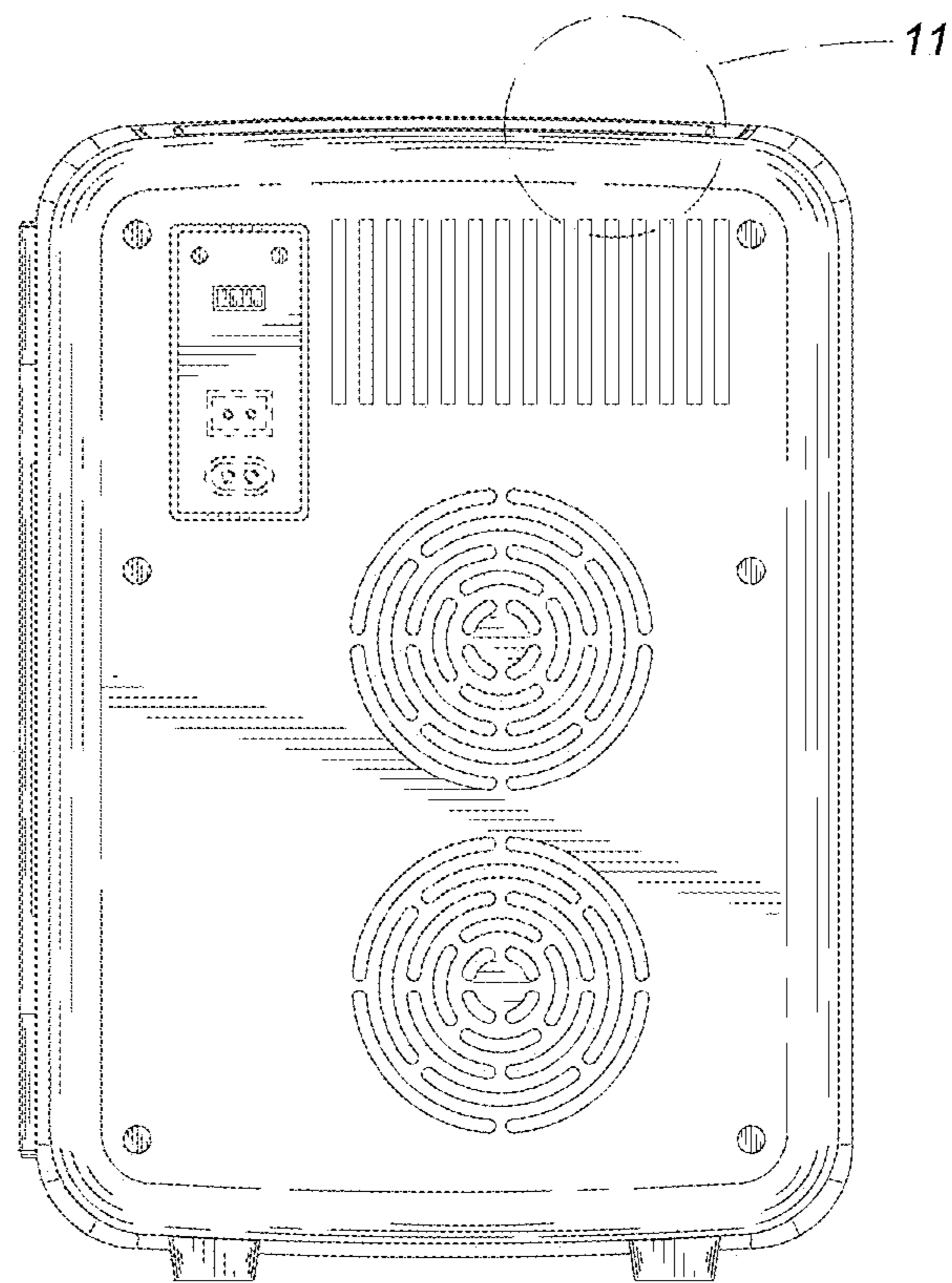
FIG. 1 is a front elevational view of a portable refrigerator showing my new design;  
FIG. 2 is a rear elevational view thereof;  
FIG. 3 is a left side view thereof;  
FIG. 4 is a right side view thereof;  
FIG. 5 is a top plan view thereof;  
FIG. 6 is a bottom plan view thereof;  
FIG. 7 is a perspective view thereof;  
FIG. 8 is another perspective view thereof;  
FIG. 9 is a front elevational view of the portable refrigerator in use;  
FIG. 10 is a perspective view of the portable refrigerator in use; and,  
FIG. 11 is a portion of the perspective view of FIG. 2 enlarged for magnification purposes.  
The broken lines illustrate portions of the environment structure which forms no part of the claimed design.

**1 Claim, 11 Drawing Sheets**

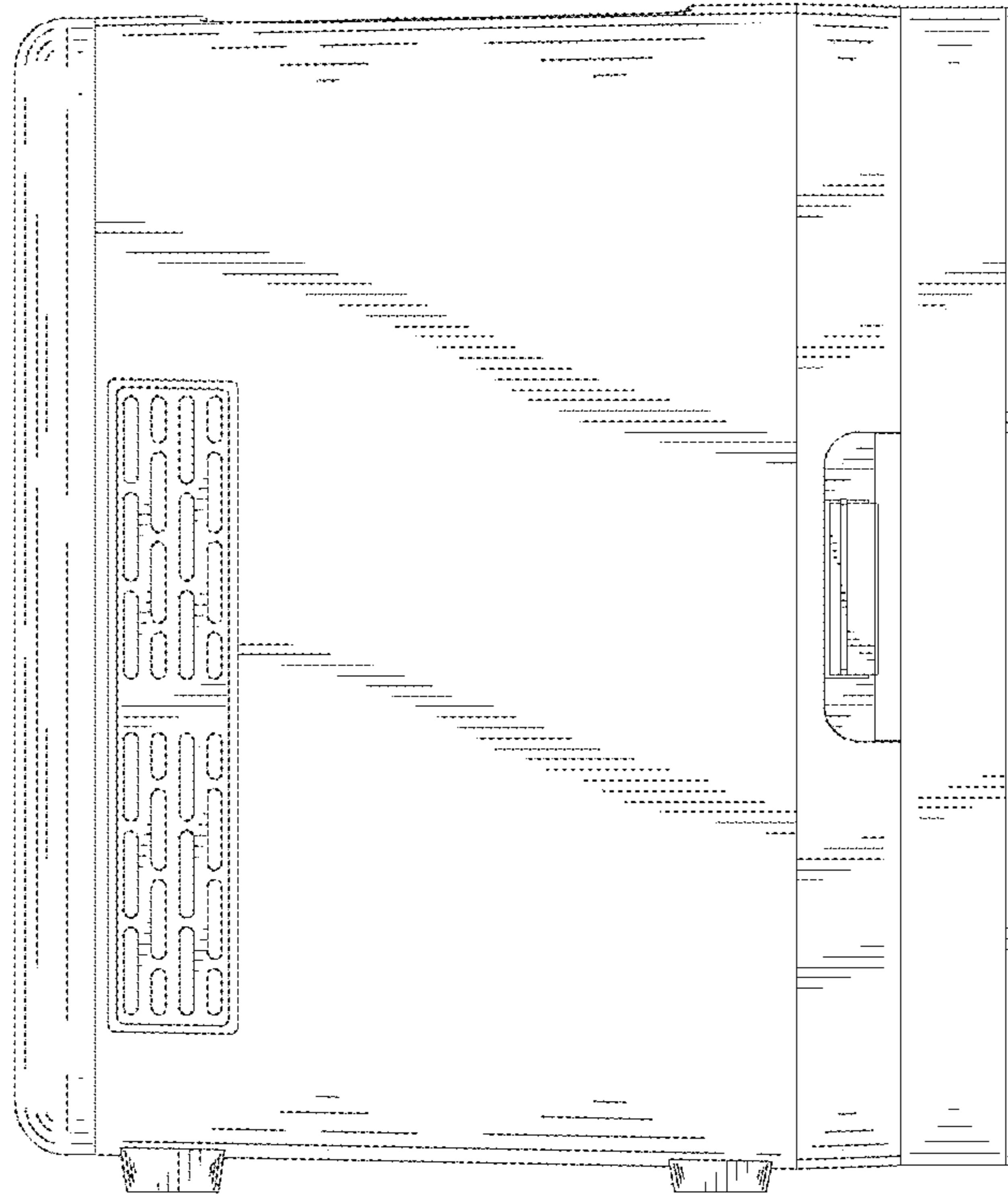




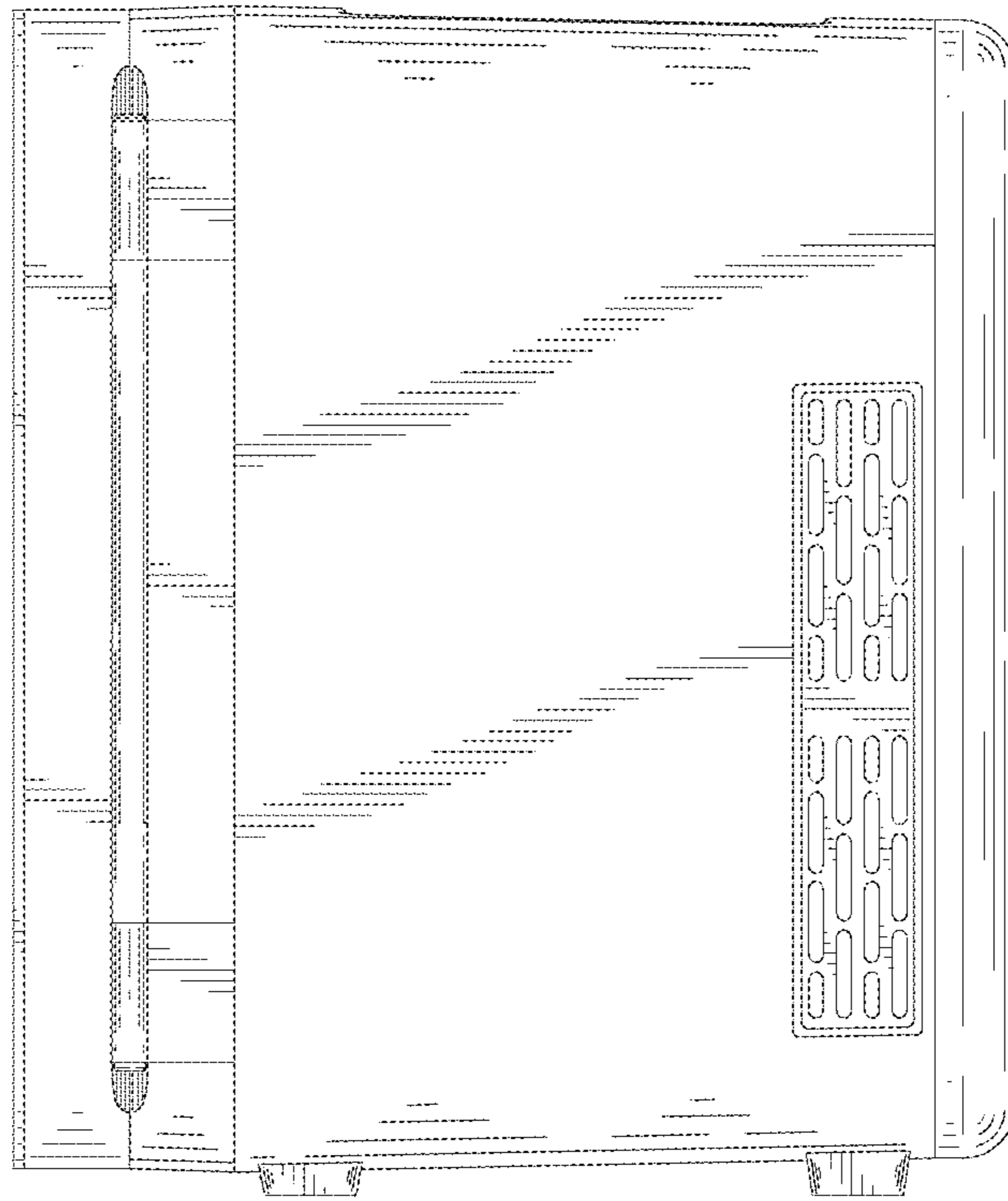
*Fig. 1*



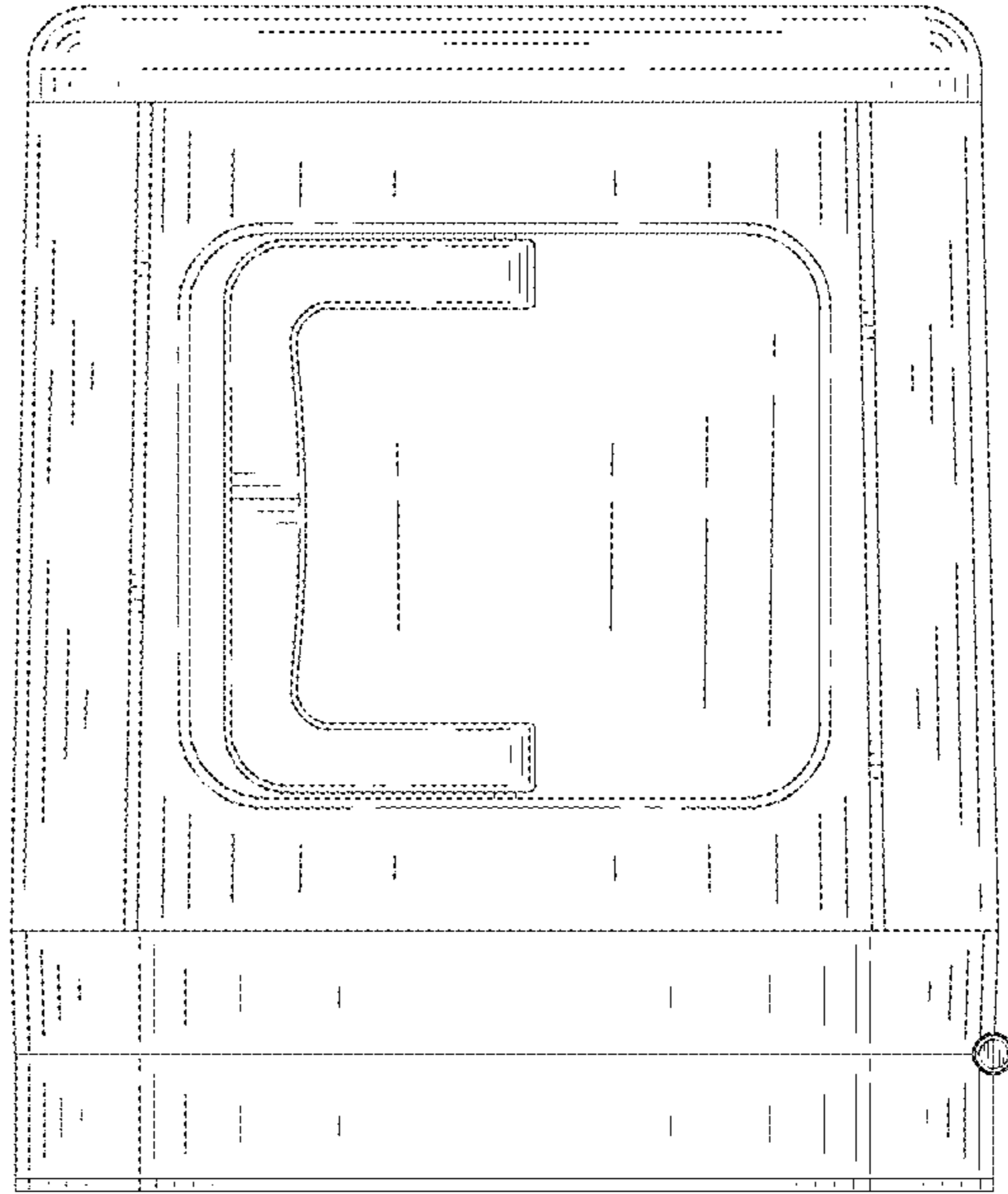
*Fig. 2*



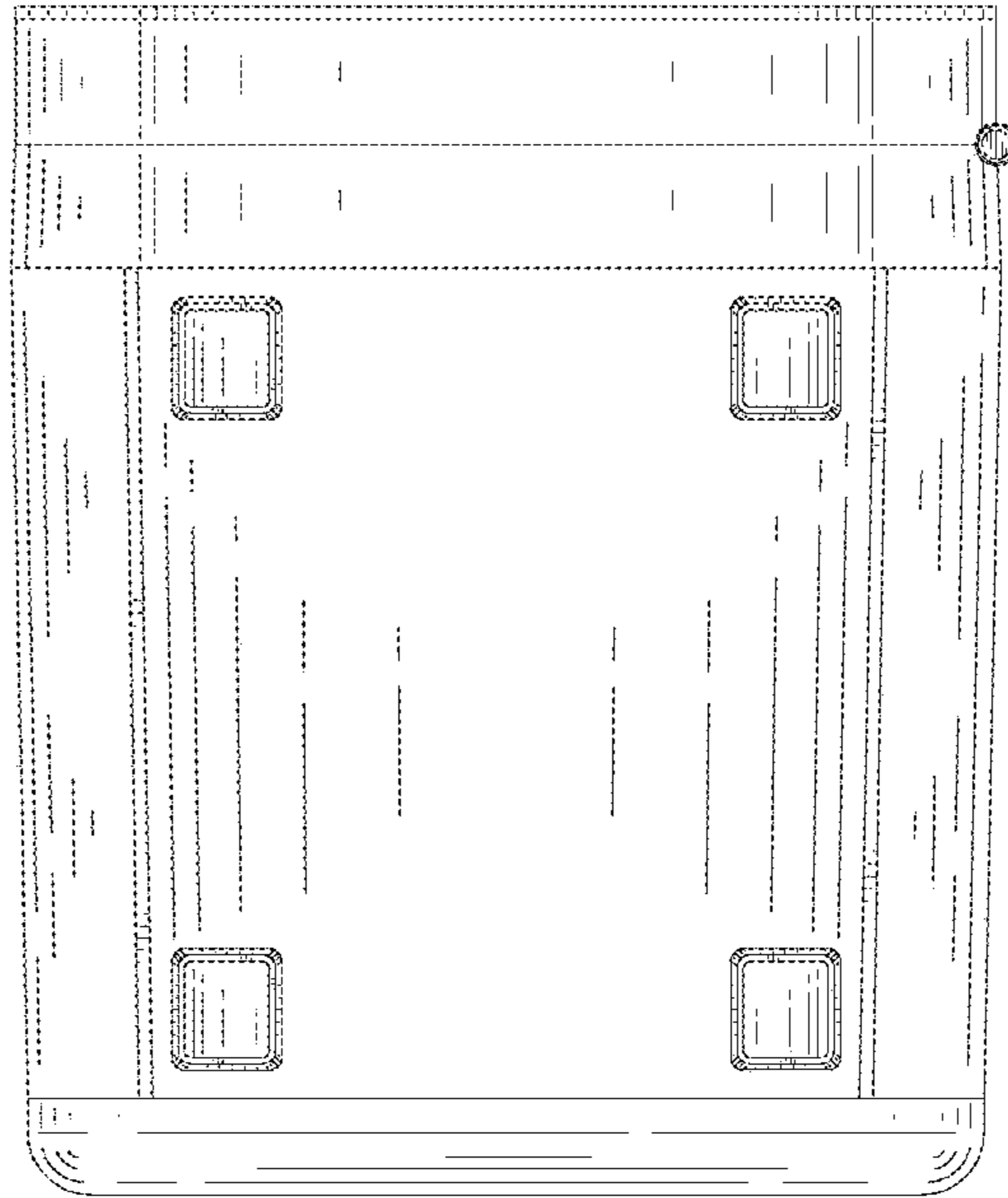
*Fig.3*



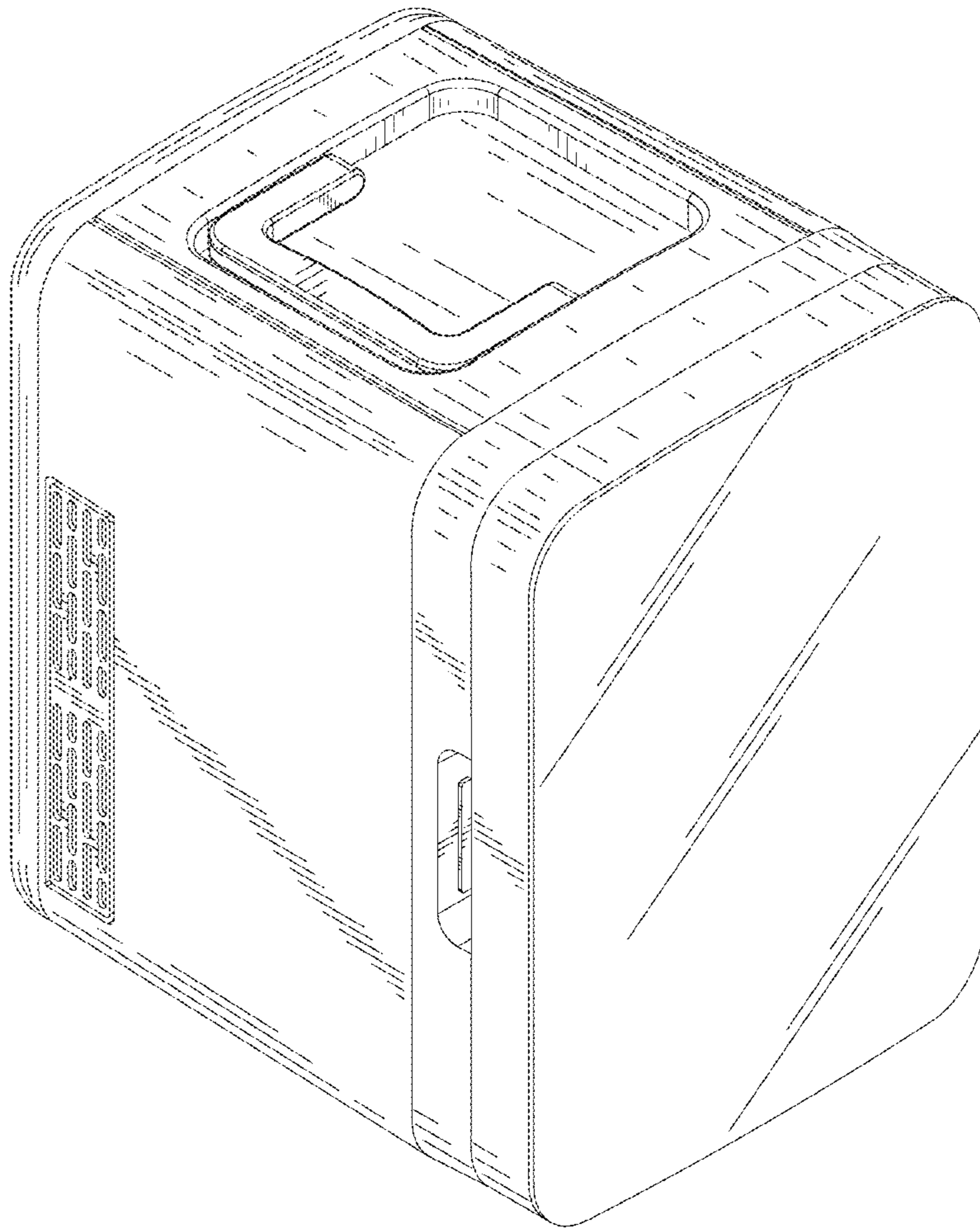
*Fig.4*



*Fig. 5*

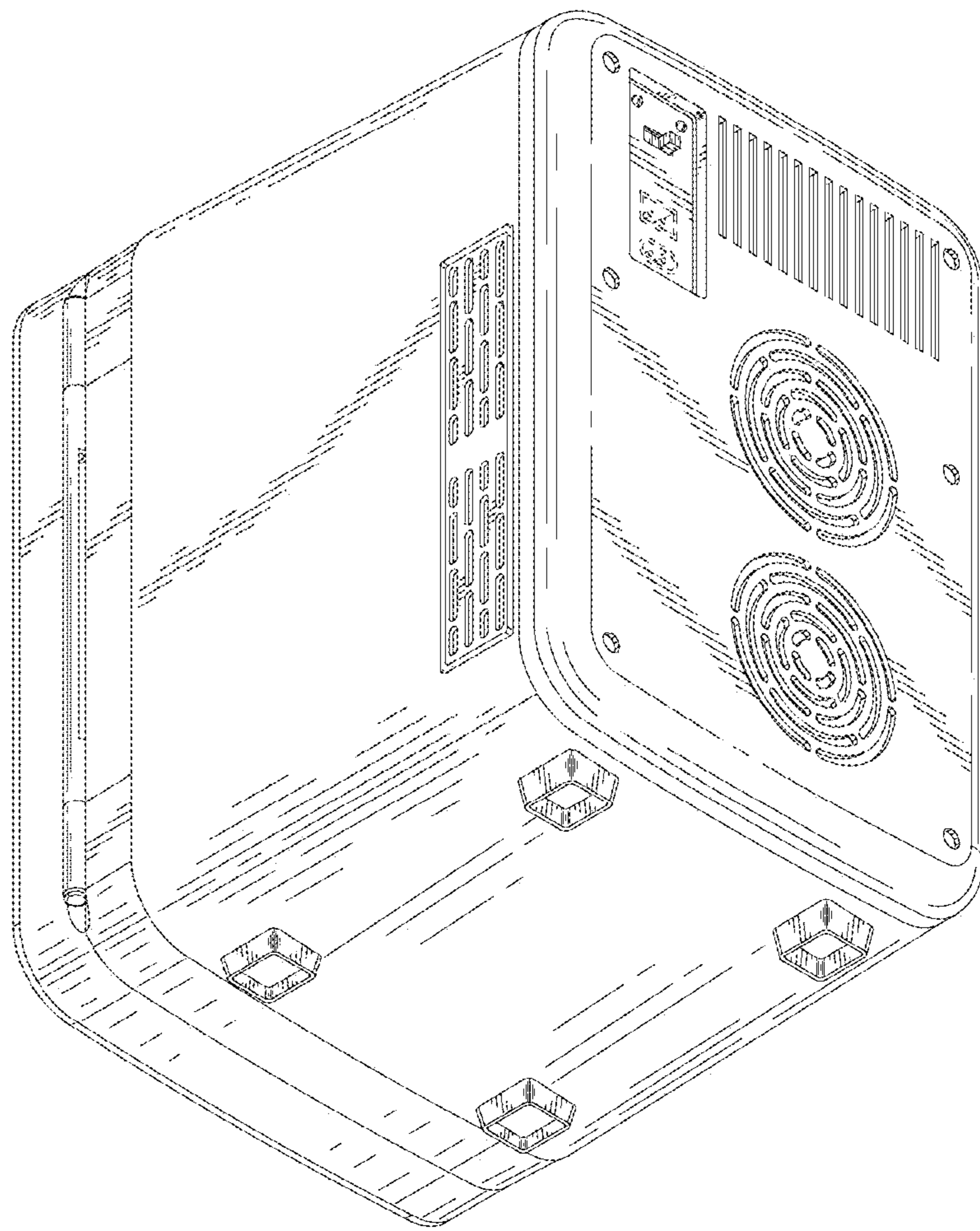


*Fig. 6*

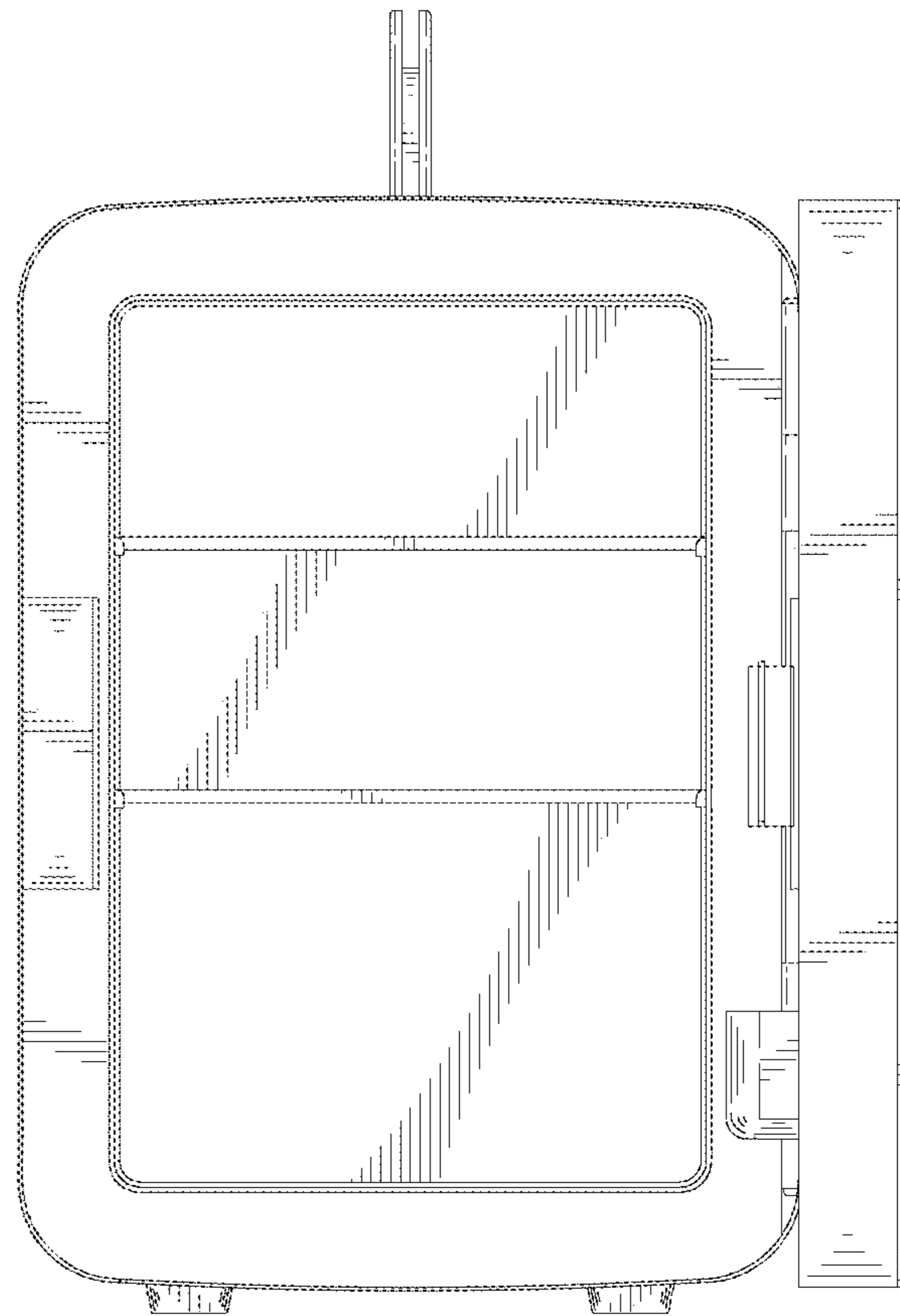


*Fig. 7*

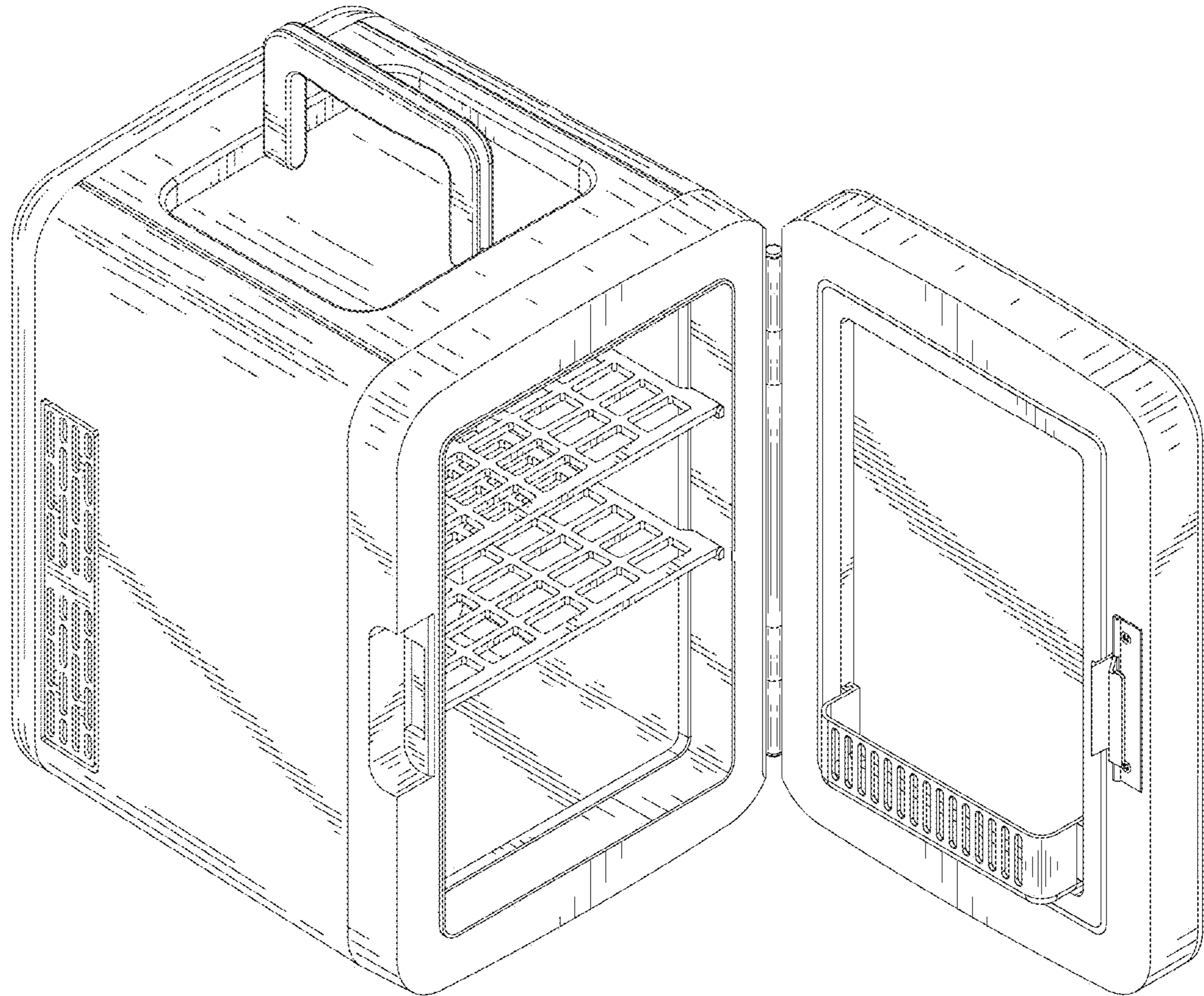




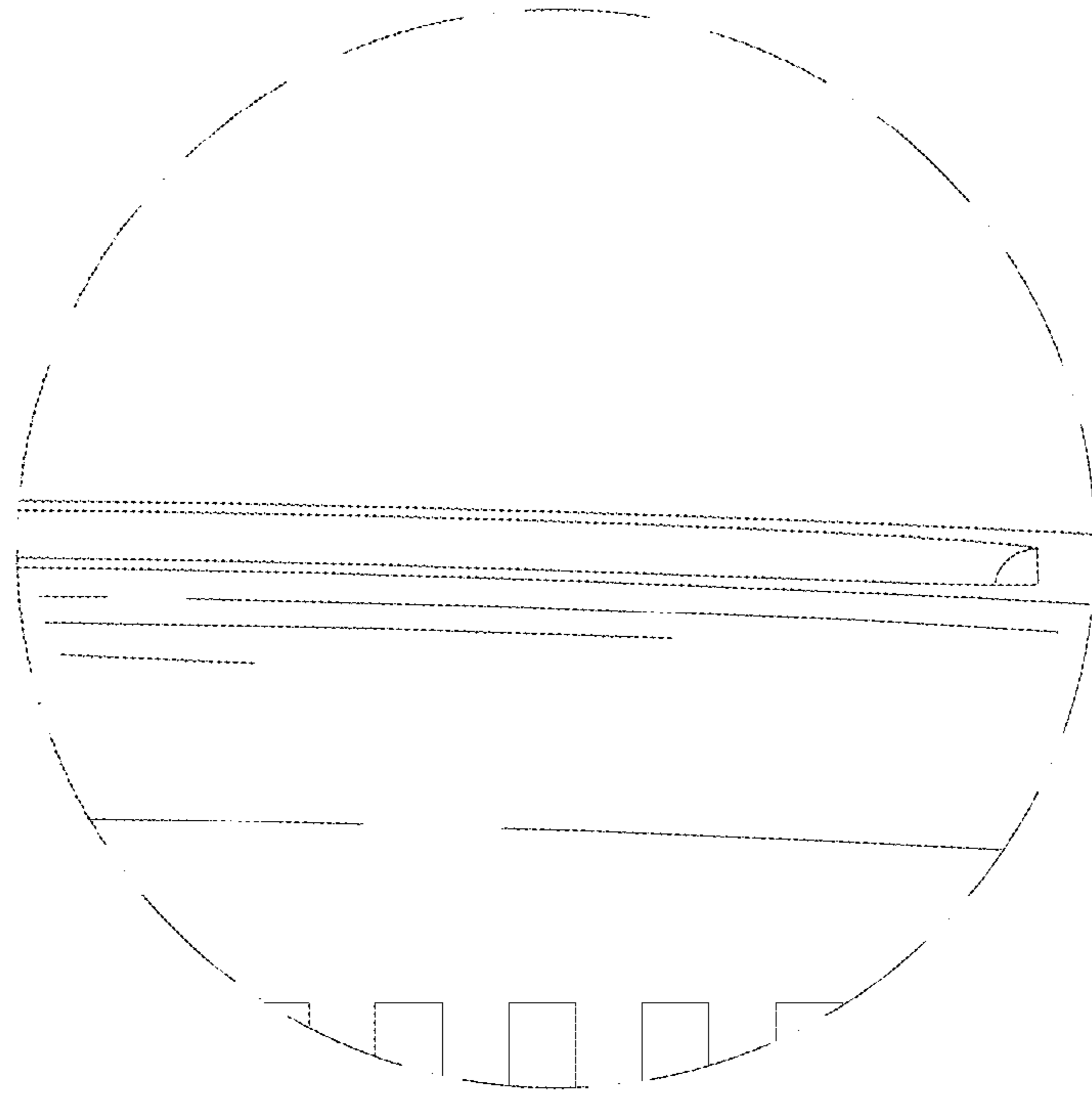
*Fig. 8*



*Fig.9*



*Fig. 10*



*Fig. 11*