



US00D886162S

(12) **United States Design Patent** (10) **Patent No.:** **US D886,162 S**  
**Price et al.** (45) **Date of Patent:** **\*\* Jun. 2, 2020**

(54) **OPERATOR CAB**

(56) **References Cited**

(71) Applicant: **J.C. BAMFORD EXCAVATORS LIMITED**, Uttoxeter (GB)

U.S. PATENT DOCUMENTS

(72) Inventors: **Chris Price**, Uttoxeter (GB); **Jon Bailey**, Uttoxeter (GB); **Richard Brooks**, Uttoxeter (GB)

D272,071	S	*	1/1984	Baconet	.....	D15/30
D297,329	S	*	8/1988	Monehaie	.....	D15/30
D304,589	S	*	11/1989	Lanphere	.....	D15/30
D321,517	S	*	11/1991	Katoh	.....	D15/30
5,273,340	A	*	12/1993	Nelson	.....	B62D 33/06 296/190.03
D348,270	S	*	6/1994	Lehmann-Brendel	.....	D15/10
5,427,185	A	*	6/1995	Seal	.....	E02F 3/7627 172/197
D366,267	S	*	1/1996	Lepoix	.....	D15/30
D376,604	S	*	12/1996	Johnson	.....	D15/30
5,911,624	A	*	6/1999	Stauffer	.....	B60H 1/00378 454/158
D446,225	S	*	8/2001	Brandenburg, III	.....	D15/30
D453,023	S	*	1/2002	Kaneko	.....	D15/21
D455,763	S	*	4/2002	Brandenburg, III	.....	D15/30
D463,461	S	*	9/2002	Yanagida	.....	D15/30
D463,462	S	*	9/2002	Yanagida	.....	D15/30

(73) Assignee: **J.C. BAMFORD EXCAVATORS LIMITED**, Uttoxeter, Staffordshire (GB)

(\*\*) Term: **15 Years**

(21) Appl. No.: **29/685,186**

(22) Filed: **Mar. 27, 2019**

(30) **Foreign Application Priority Data**

Oct. 8, 2018 (EM) ..... 005772605

(51) **LOC (12) Cl.** ..... **15-03**

(52) **U.S. Cl.**  
USPC ..... **D15/30**

(58) **Field of Classification Search**  
USPC ..... D15/10, 22-26, 28, 30; 180/89.1, 89.12, 180/89.13, 900, 9.1, 9.2, 9.62; 37/379; 414/694, 699, 722-724, 660, 685, 698, 414/719, 743

CPC ..... E02F 3/32; E02F 3/76; E02F 3/40; E02F 3/325; E02F 3/352; E02F 3/384; E02F 3/425; E02F 3/437; E02F 3/627; E02F 3/964; E02F 9/163; E02F 9/0858; E02F 9/0875; E02F 9/2045; E02F 9/006; E02F 9/0808; E02F 9/0833; E02F 9/2004; E02F 9/207; E02F 9/2091; E02F 9/2246; E02F 9/2292

See application file for complete search history.

*Primary Examiner* — Mark A Goodwin

(74) *Attorney, Agent, or Firm* — Marshall, Gerstein & Borun LLP

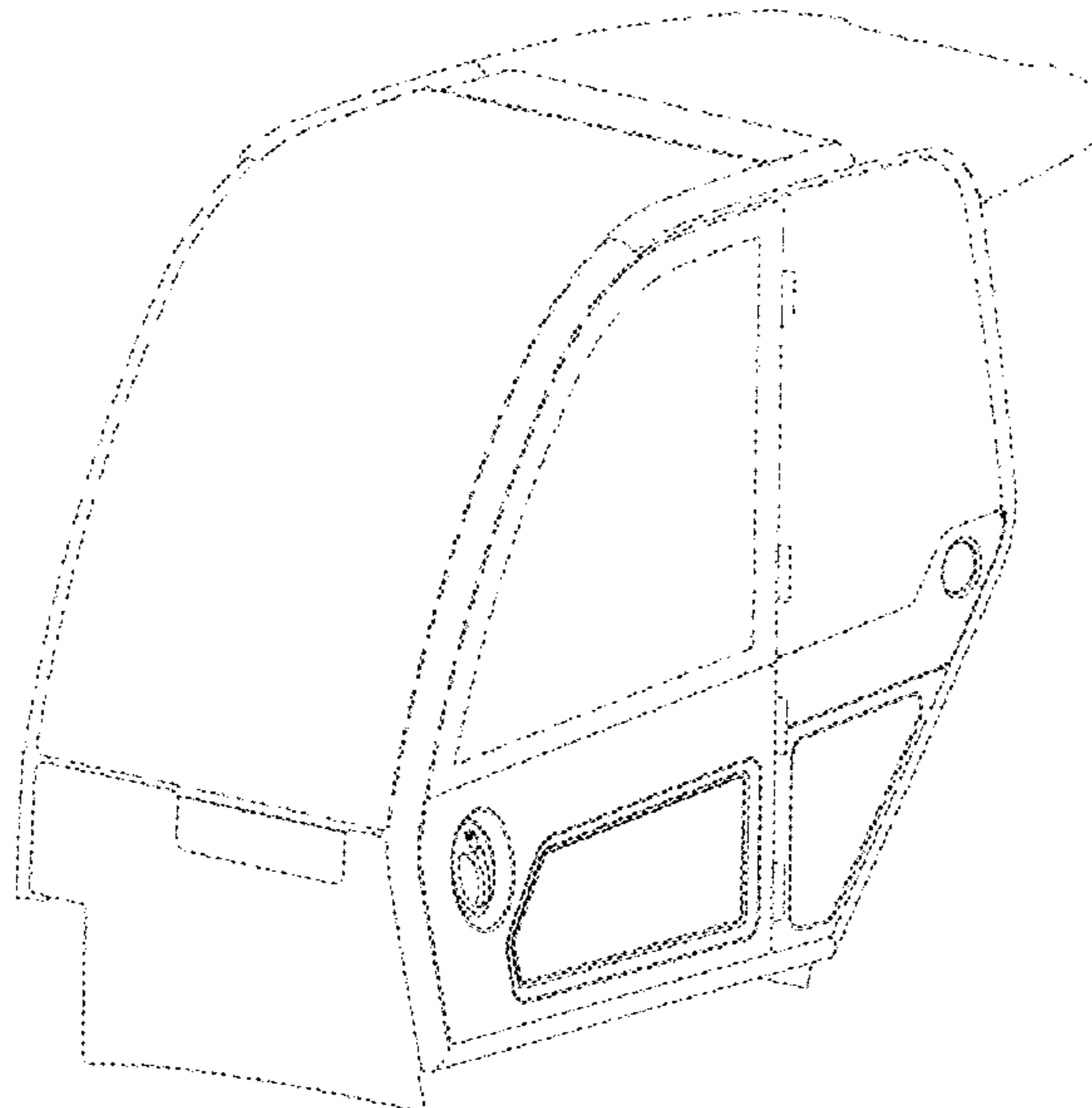
(57) **CLAIM**

The ornamental design for an operator cab, as shown and described.

**DESCRIPTION**

FIG. 1 is a front, left-side, and top isometric view of an operator cab, showing the new design.  
FIG. 2 is a top plan view of the operator cab.  
FIG. 3 is a right-side elevation view of the operator cab.  
FIG. 4 is a front elevation view of the operator cab.  
FIG. 5 is a rear elevation view of the operator cab.  
FIG. 6 is a left-side elevation view of the operator cab; and, FIG. 7 is a bottom plan view of the operator cab.  
The broken lines depict portions of the operator cab that form no part of the claimed design.

**1 Claim, 4 Drawing Sheets**



(56)

References Cited

U.S. PATENT DOCUMENTS

D464,662 S \* 10/2002 Dahl ..... D15/33  
 D479,536 S \* 9/2003 Dahl ..... D15/30  
 D481,044 S \* 10/2003 Tokach ..... D15/30  
 D497,920 S \* 11/2004 Antonetti ..... D15/30  
 D531,646 S \* 11/2006 McCarren, Jr. .... D15/30  
 D533,569 S \* 12/2006 Mursch ..... D15/28  
 D534,927 S \* 1/2007 Mursch ..... D15/28  
 D541,826 S \* 5/2007 Brush ..... D15/30  
 D549,245 S \* 8/2007 Antonetti ..... D15/30  
 D594,480 S \* 6/2009 Gicquel ..... D15/30  
 D614,674 S \* 4/2010 Hobenshield ..... D15/30  
 D625,741 S \* 10/2010 Seidel ..... D15/30  
 D636,795 S \* 4/2011 Yamamoto ..... D15/28  
 D637,630 S \* 5/2011 Yamamoto ..... D15/30  
 D642,205 S \* 7/2011 Yamamoto ..... D15/30  
 D653,173 S \* 1/2012 Dolesh ..... D12/96  
 D654,400 S \* 2/2012 Dolesh ..... D12/96  
 D660,881 S \* 5/2012 Bohme ..... D15/30

D668,693 S \* 10/2012 Ringer ..... D15/30  
 D671,566 S \* 11/2012 Fang ..... D15/30  
 D684,607 S \* 6/2013 Hagura ..... D15/30  
 D687,868 S \* 8/2013 Watson ..... D15/30  
 D691,924 S \* 10/2013 Smith ..... D12/96  
 D707,728 S \* 6/2014 Imashige ..... D15/30  
 D714,837 S \* 10/2014 Jacobsthal ..... D15/30  
 D720,370 S \* 12/2014 Carter ..... D15/30  
 D749,649 S \* 2/2016 McAdam ..... D15/30  
 D751,123 S \* 3/2016 Kazakoff ..... D15/30  
 D762,248 S \* 7/2016 Steinhard ..... D15/30  
 D773,537 S \* 12/2016 Fiser ..... D15/30  
 D774,111 S \* 12/2016 Underhill ..... D15/30  
 D774,112 S \* 12/2016 Fiser ..... D15/30  
 D775,244 S \* 12/2016 Hart ..... D15/30  
 D780,231 S \* 2/2017 Saari ..... D15/30  
 D780,232 S \* 2/2017 Saari ..... D15/30  
 D780,235 S \* 2/2017 Kim ..... D15/30  
 D784,425 S \* 4/2017 Cooksey ..... D15/30  
 D835,160 S \* 12/2018 Jilbert ..... D15/25  
 D849,062 S \* 5/2019 Jilbert ..... D15/25

\* cited by examiner

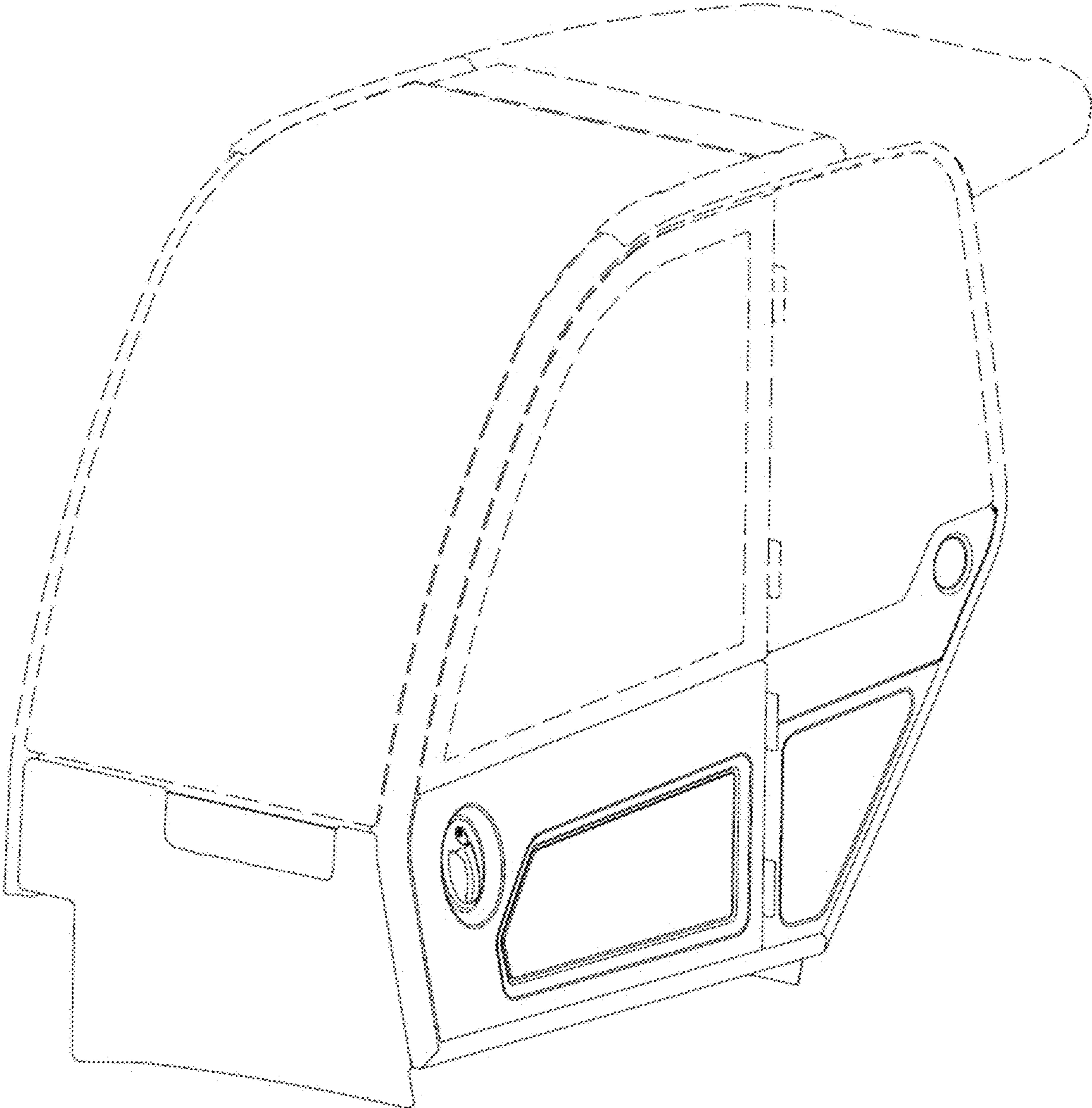


Fig. 1

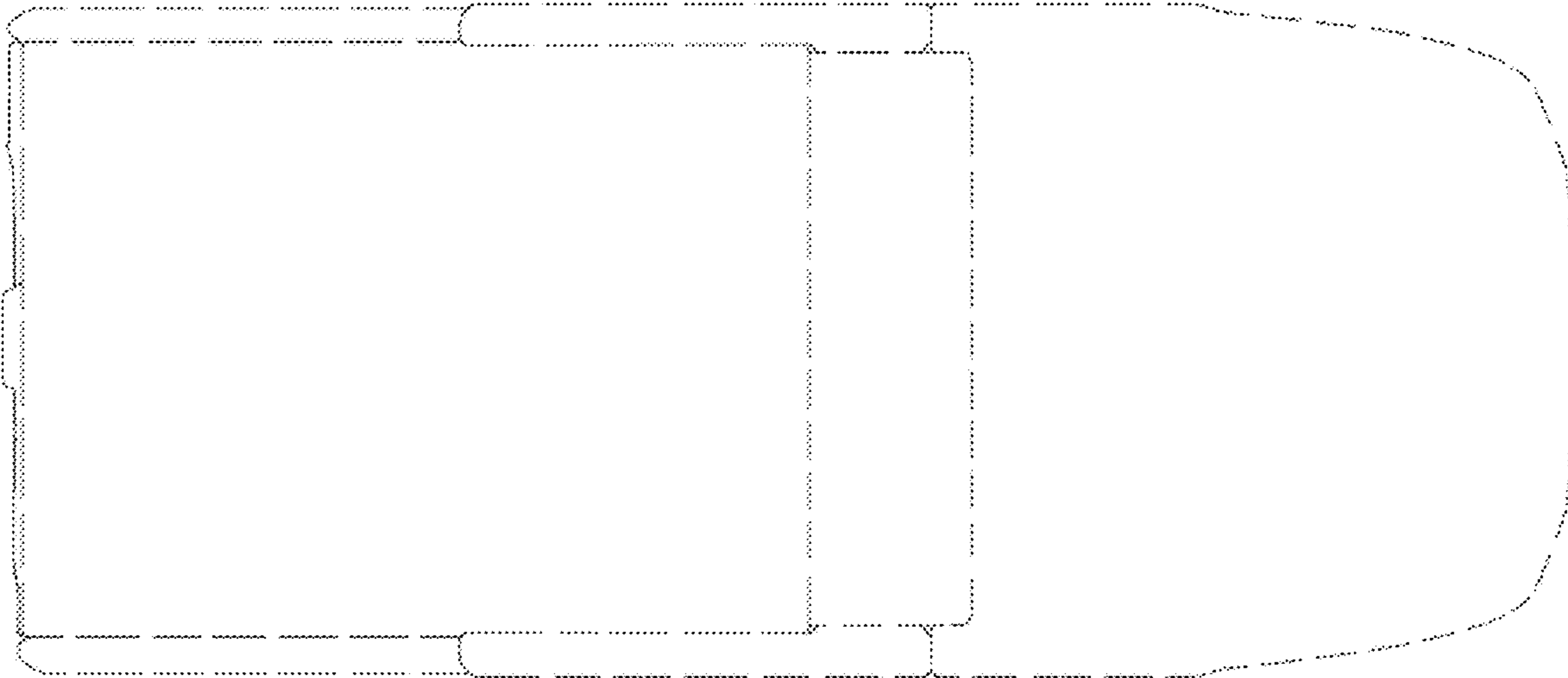


Fig. 2

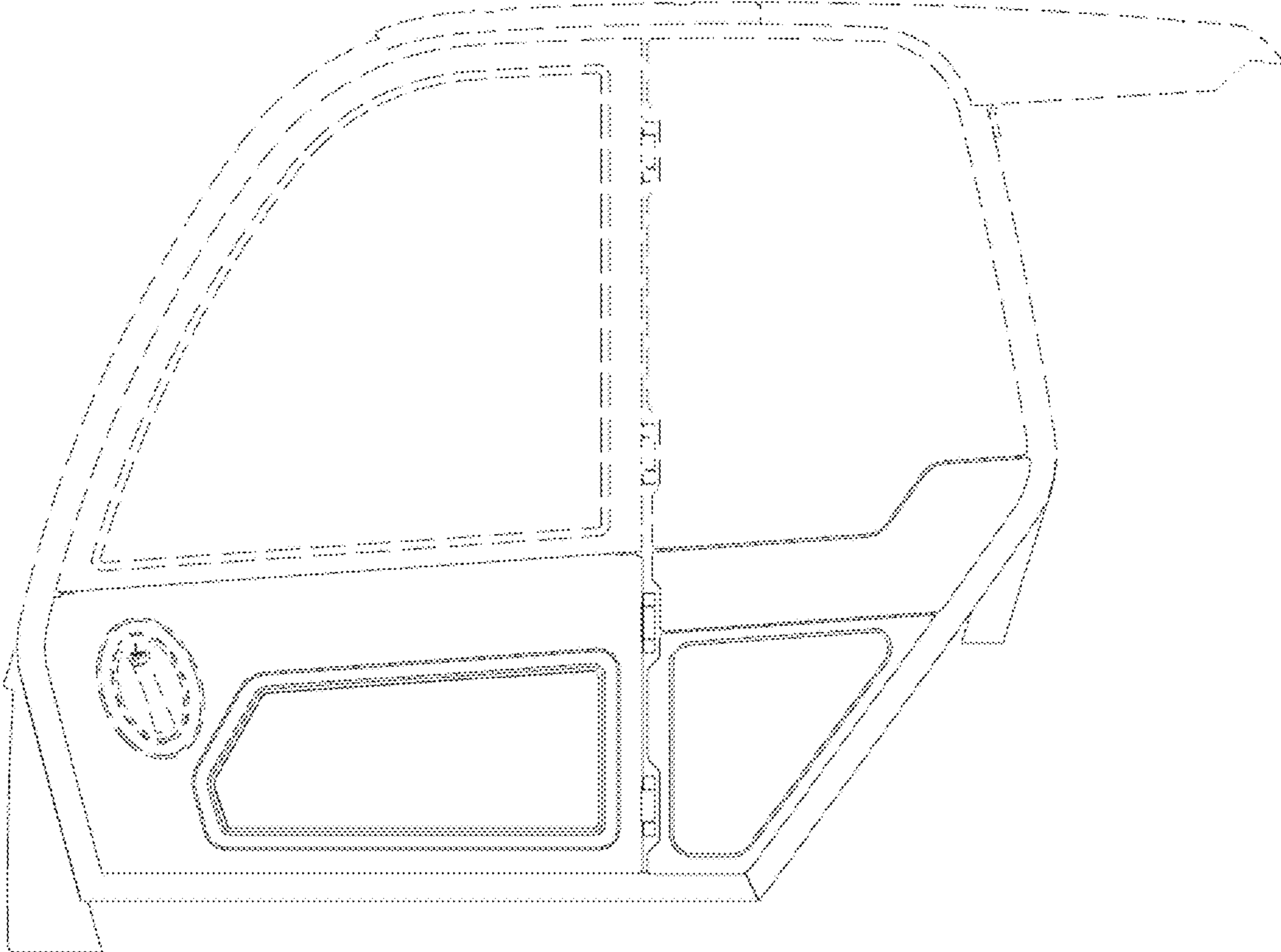


Fig. 3

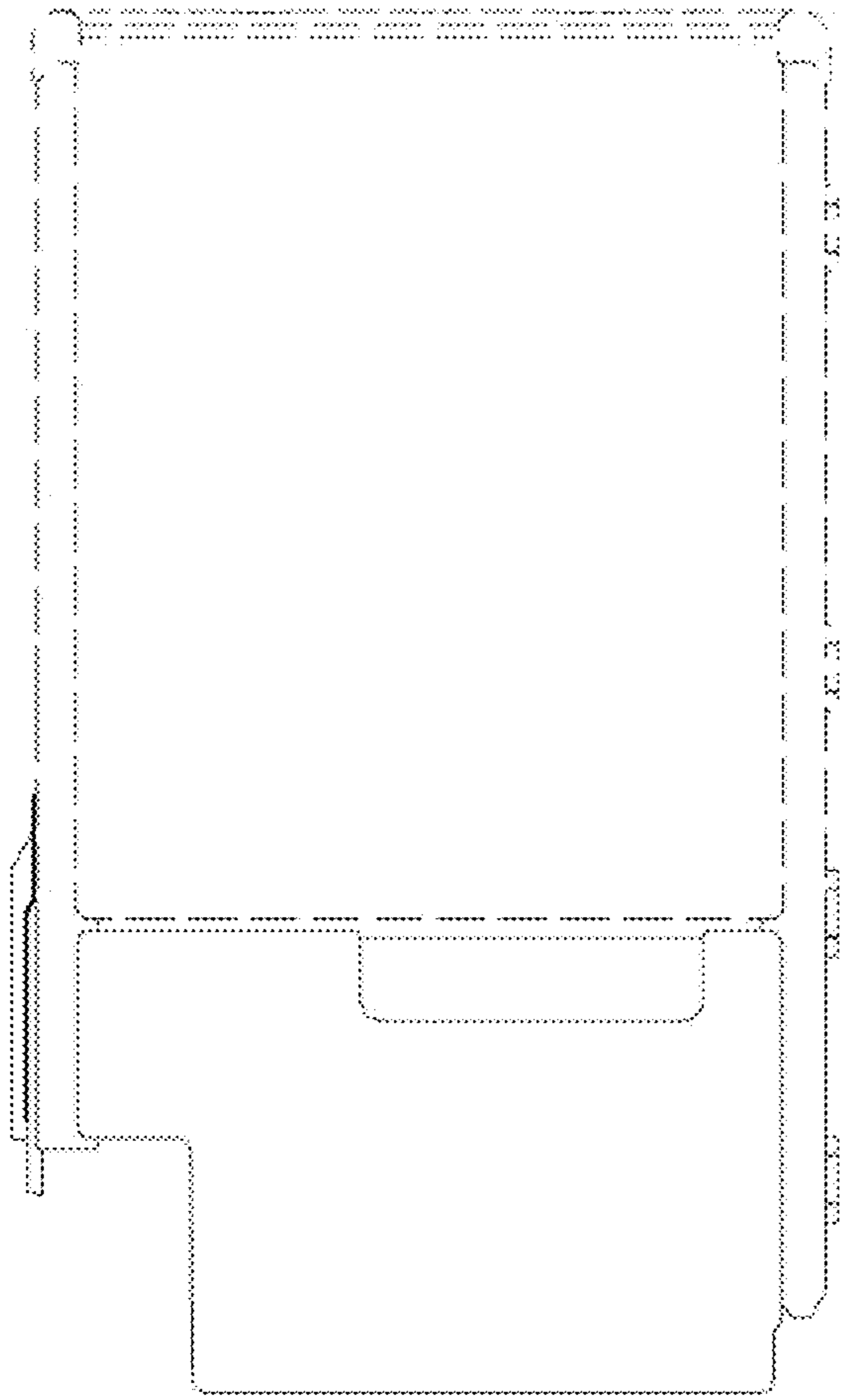


Fig. 4

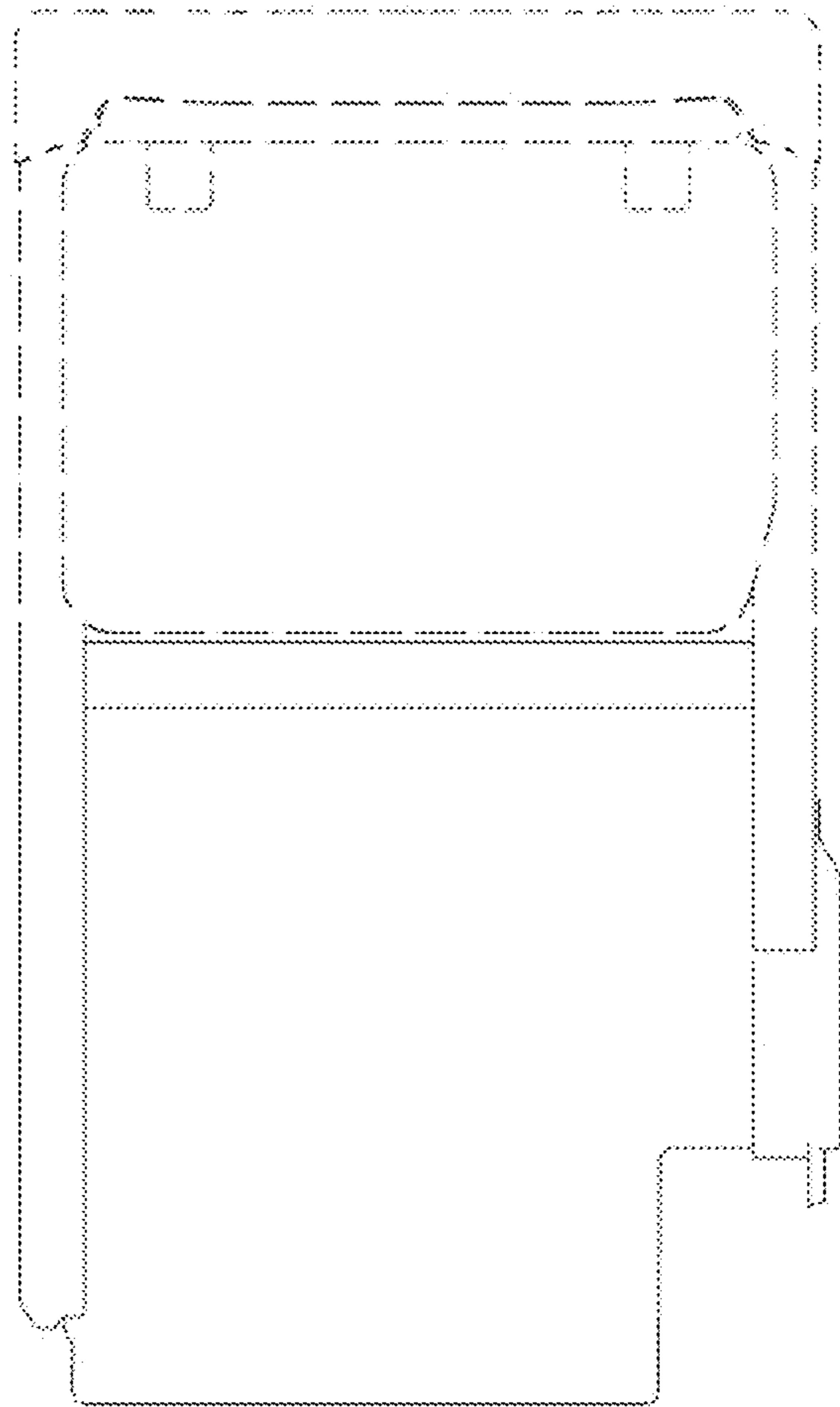


Fig. 5

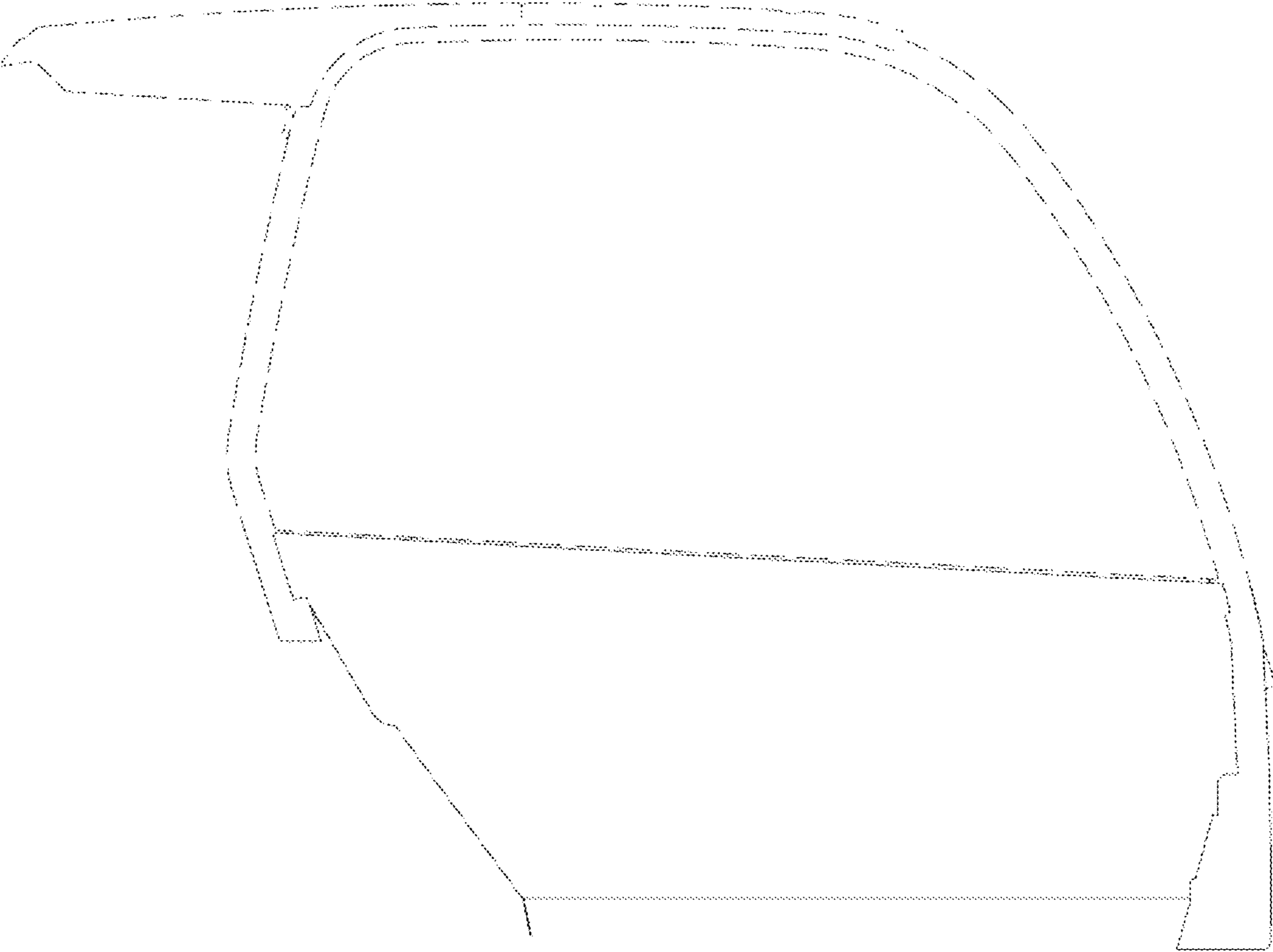


Fig. 6

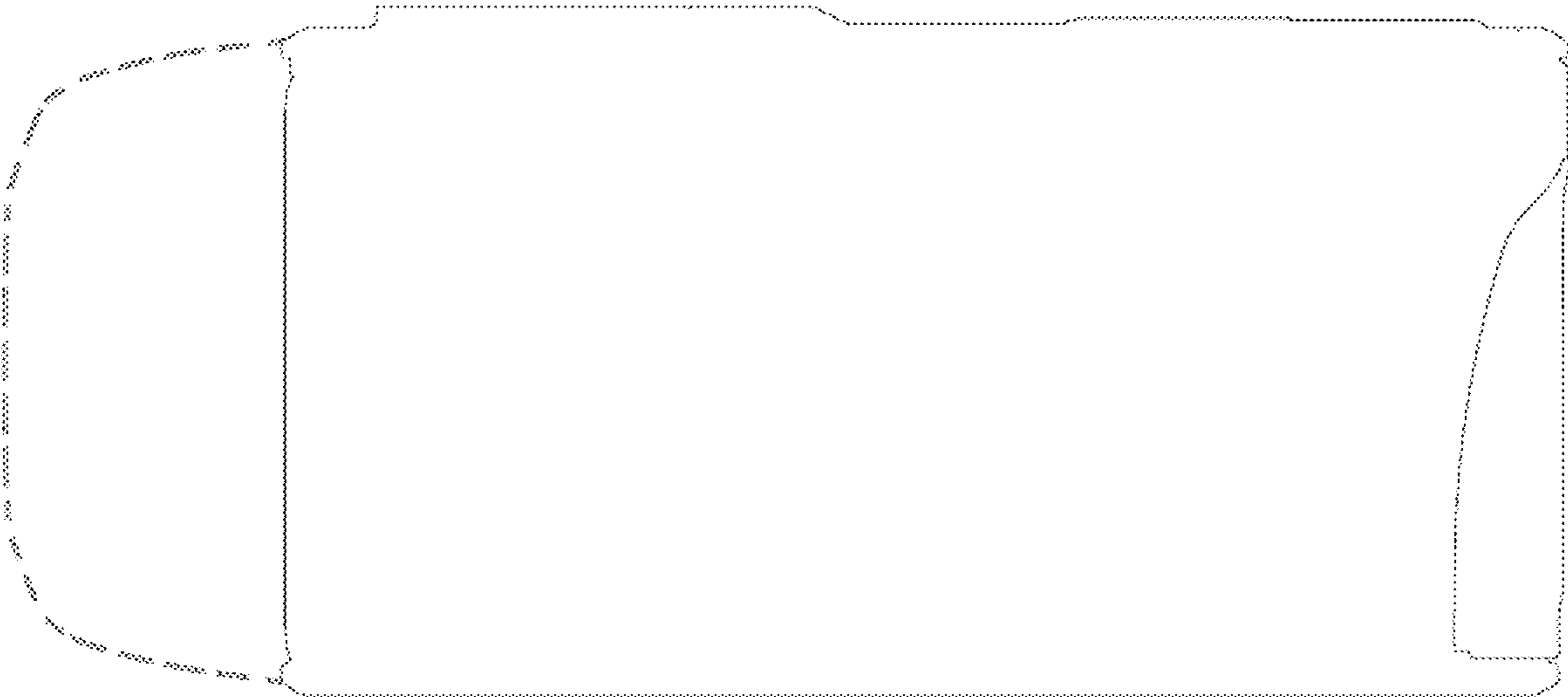


Fig. 7