



US00D886161S

(12) **United States Design Patent**
Huliyar et al.

(10) **Patent No.:** **US D886,161 S**
(45) **Date of Patent:** **** Jun. 2, 2020**

(54) **MOTOR GRADER**
(71) Applicant: **Caterpillar Inc.**, Deerfield, IL (US)
(72) Inventors: **Satish Huliyar**, Peoria, IL (US);
Bradley Boone, Decatur, IL (US);
Aaron Dunaway, Brimfield, IL (US);
Brad Van De Veer, Washington, IL (US);
Christian Ritchie, Morton, IL (US)

3,889,976 A 6/1975 Jesswein
D238,955 S 2/1976 Peterson
3,976,146 A 8/1976 Desourdy
4,213,507 A 7/1980 Horrer et al.
D275,107 S 8/1984 Crabiel et al.
4,535,860 A 8/1985 Waggoner
(Continued)

(73) Assignee: **Caterpillar Inc.**, Peoria, IL (US)

(**) Term: **15 Years**

(21) Appl. No.: **29/683,546**

(22) Filed: **Mar. 14, 2019**

(51) **LOC (12) Cl.** **12-09**

(52) **U.S. Cl.**
USPC **D15/23; D15/33**

(58) **Field of Classification Search**
USPC D15/10-12, 19, 21-23, 28, 30-33;
D21/537; 180/238, 264, 267, 420;
172/781-785, 788, 1, 776, 790, 430, 611,
172/792

See application file for complete search history.

(56) **References Cited**

U.S. PATENT DOCUMENTS

2,081,536 A 5/1937 Gustafson
D184,216 S 1/1959 Erlacher et al.
D188,840 S 9/1960 Beyer et al.
2,965,990 A 12/1960 Colee
3,049,819 A 8/1962 Cohron
3,197,188 A 7/1965 Moore
3,327,413 A 6/1967 Brinkmeyer et al.
3,450,213 A 6/1969 Hanser et al.
3,454,109 A 7/1969 Roberts
3,527,315 A 9/1970 Hampton
3,831,693 A 8/1974 King
3,858,661 A 1/1975 Hallam

FOREIGN PATENT DOCUMENTS

DE 402010004348-0001 10/2010
DE 402010004348-0002 10/2010

(Continued)

OTHER PUBLICATIONS

U.S. Appl. No. 29/683,548 of Huliyar et al., titled "Motor Grader,"
filed Mar. 14, 2019 (unpublished).

Primary Examiner — Mark A Goodwin

(74) *Attorney, Agent, or Firm* — Saidman Design Law
Group

(57) **CLAIM**

The ornamental design for a motor grader, as shown and
described.

DESCRIPTION

FIG. 1 is a perspective view of a motor grader showing our
new design;

FIG. 2 is a left side view thereof;

FIG. 3 is a right side view thereof;

FIG. 4 is a rear view thereof;

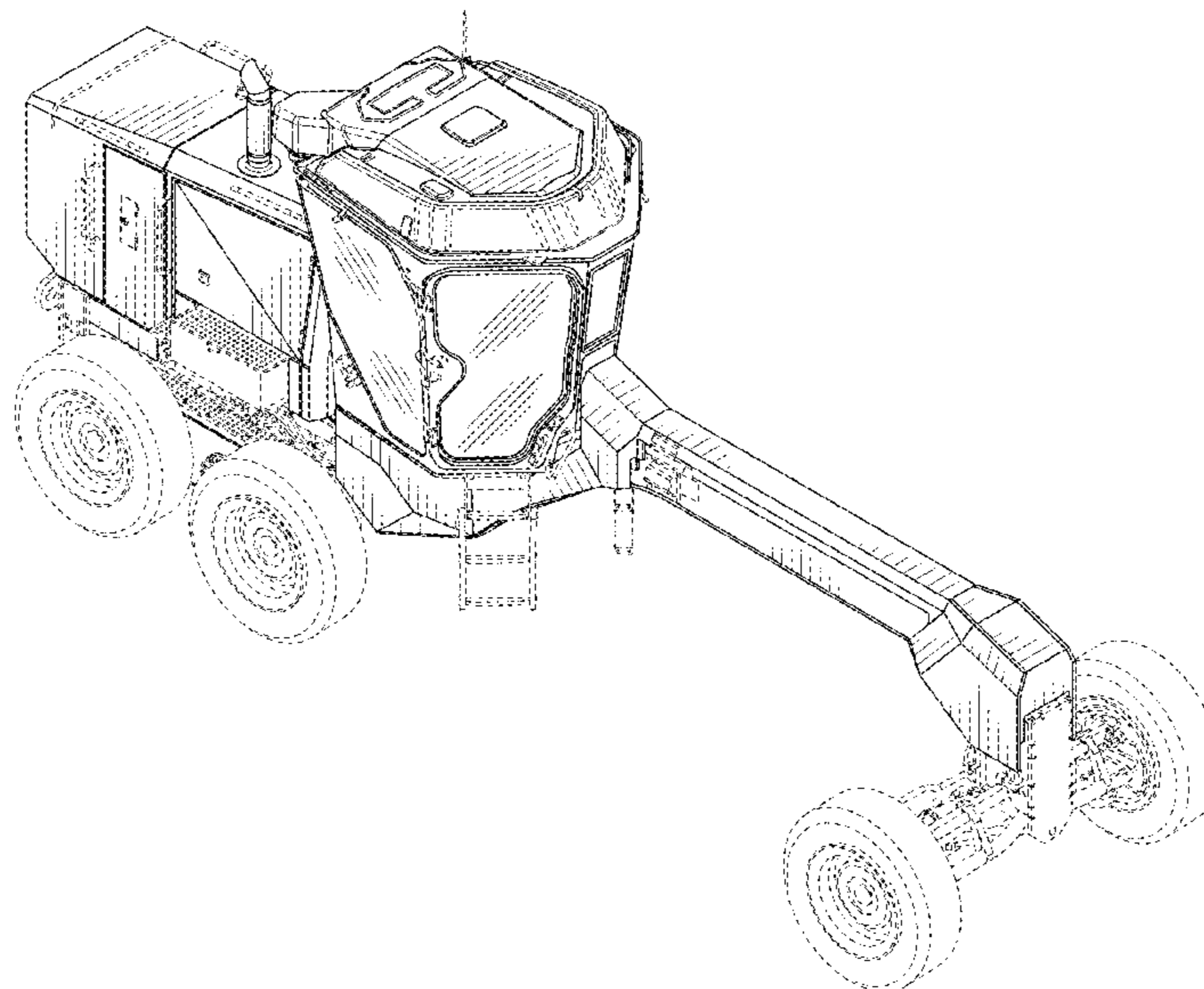
FIG. 5 is a front view thereof; and,

FIG. 6 is a top view thereof.

The broken lines illustrate structure or features which form
no part of the claimed design.

The drawings include surface shading which represents
contour and not surface ornamentation.

1 Claim, 5 Drawing Sheets



(56)

References Cited

U.S. PATENT DOCUMENTS

4,679,634 A 7/1987 Bulmahn
 4,696,486 A 9/1987 Ruhter
 5,332,331 A * 7/1994 Critz E01C 19/15
 172/393
 5,397,200 A * 3/1995 Seal E02F 3/7627
 172/393
 D358,401 S * 5/1995 Devaney D15/11
 5,427,185 A * 6/1995 Seal E02F 3/7627
 172/197
 5,474,147 A 12/1995 Yesel et al.
 6,230,818 B1 5/2001 Slunder
 D500,056 S 12/2004 DeYoung et al.
 6,854,523 B2 2/2005 Takahashi
 D541,826 S * 5/2007 Brush D15/30
 D548,752 S 8/2007 Merghani et al.
 D549,743 S 8/2007 Merghani et al.
 D557,711 S 12/2007 Merghani et al.
 D568,906 S 5/2008 Merghani et al.
 D593,582 S * 6/2009 Ono D15/23

D594,035 S * 6/2009 Ono D15/23
 D623,668 S * 9/2010 Bissell D15/27
 D624,565 S * 9/2010 Rummer D15/23
 D624,566 S 9/2010 Patkar et al.
 D626,152 S 10/2010 Patkar et al.
 2002/0060081 A1 5/2002 Mcgugan
 2003/0221845 A1 12/2003 Takahashi
 2004/0149463 A1 8/2004 Maeda et al.
 2005/0252669 A1 11/2005 LaReau et al.

FOREIGN PATENT DOCUMENTS

DE 402010004348-0003 10/2010
 DE 402010004348-0004 10/2010
 DE 402010004348-0005 10/2010
 EM 000614623-0001 10/2006
 EM 000614623-0002 10/2006
 EM 000614623-0003 10/2006
 EM 000614623-0004 10/2006
 EM 000614623-0005 10/2006
 EM 000614623-0006 10/2006

* cited by examiner

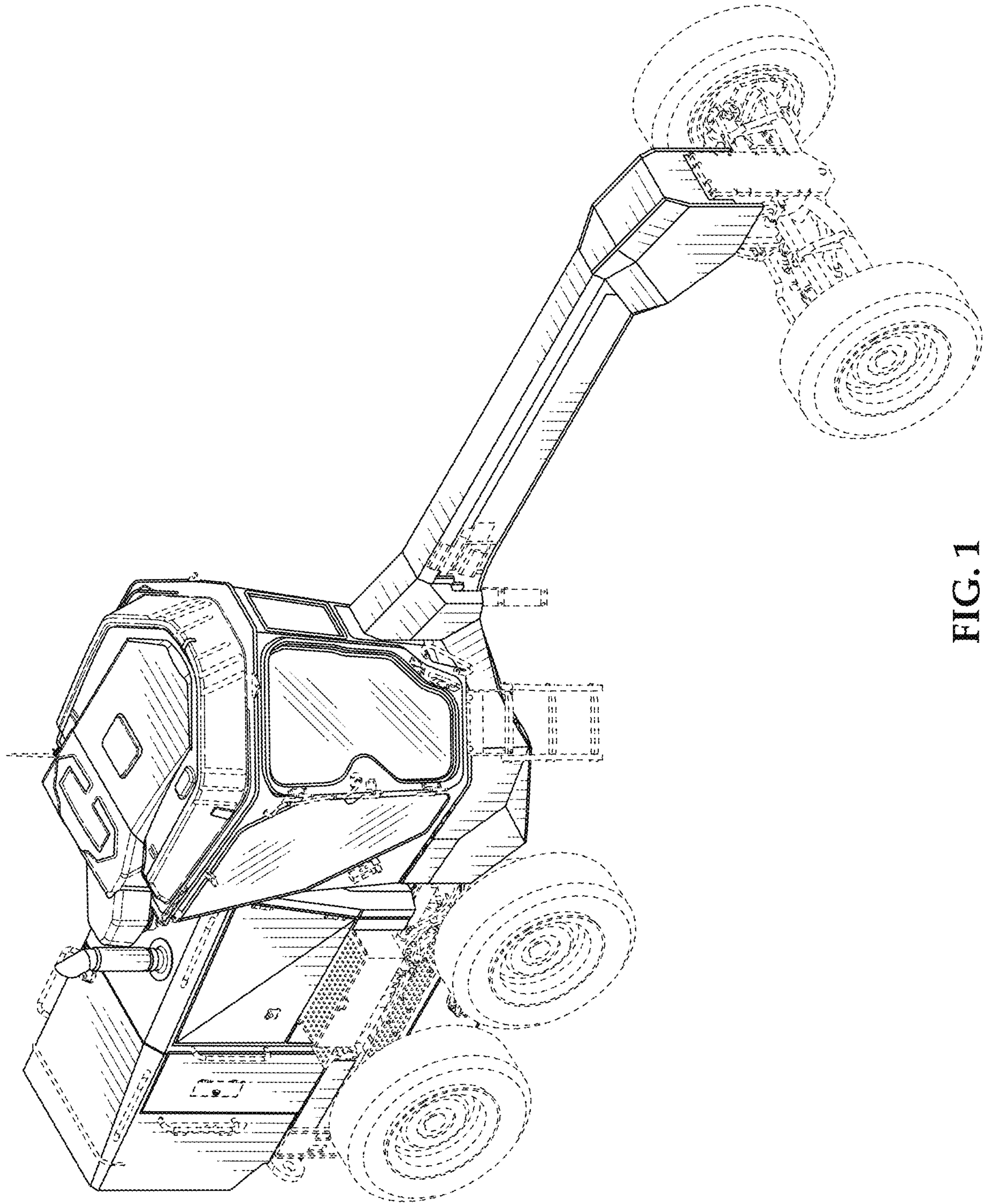


FIG. 1

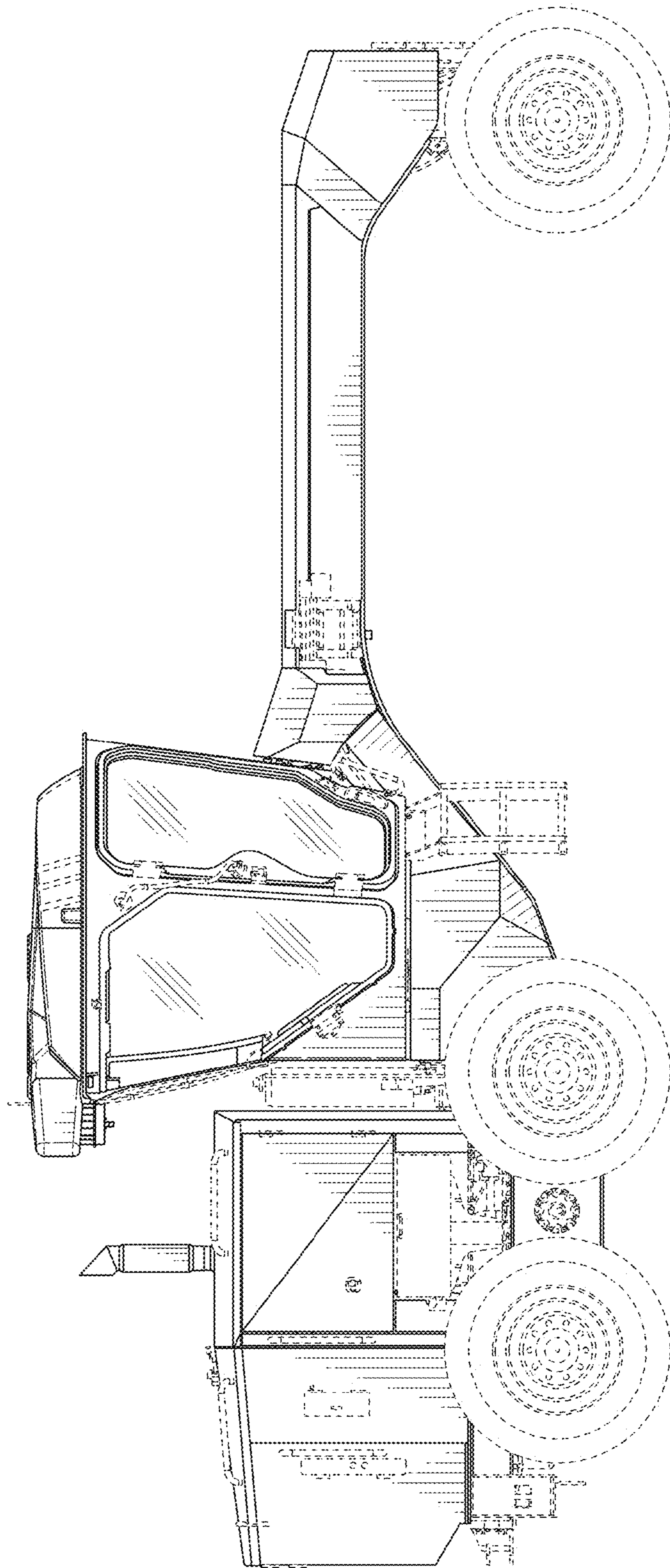


FIG. 2

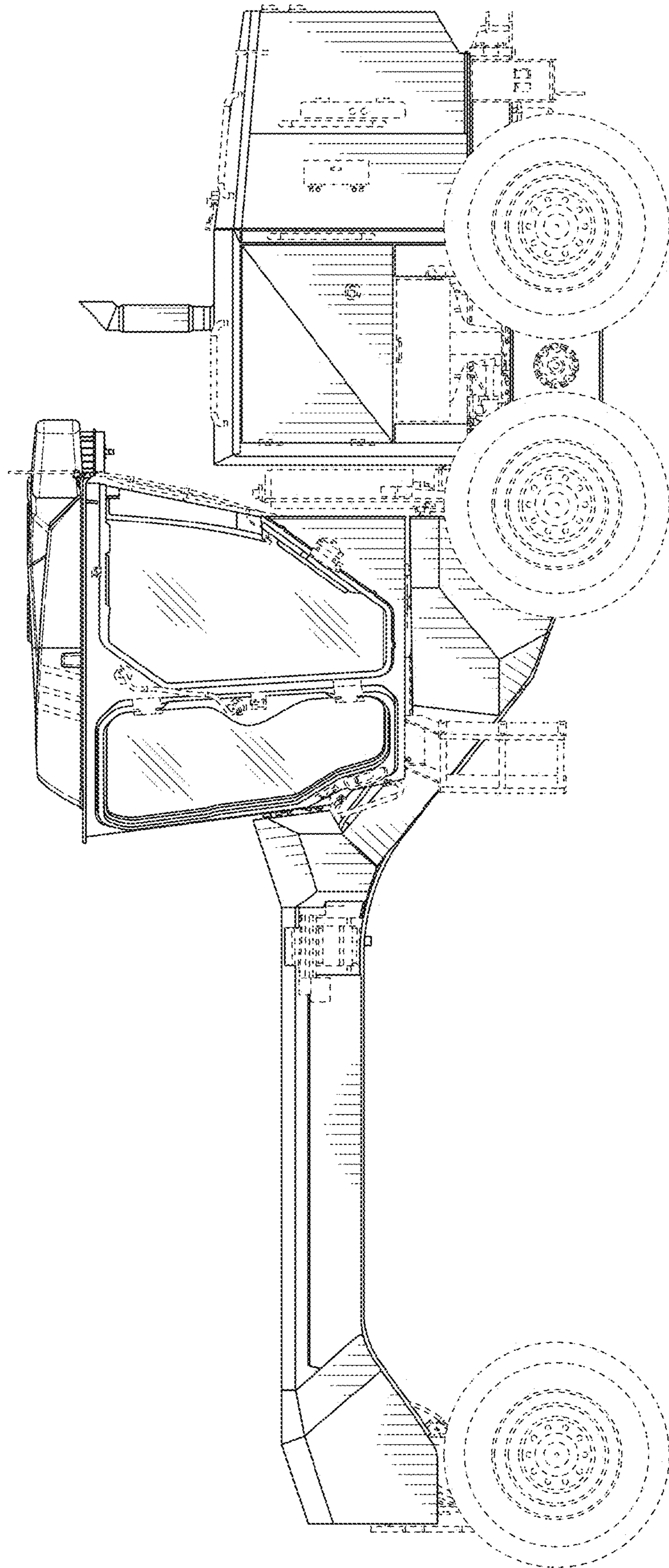


FIG. 3

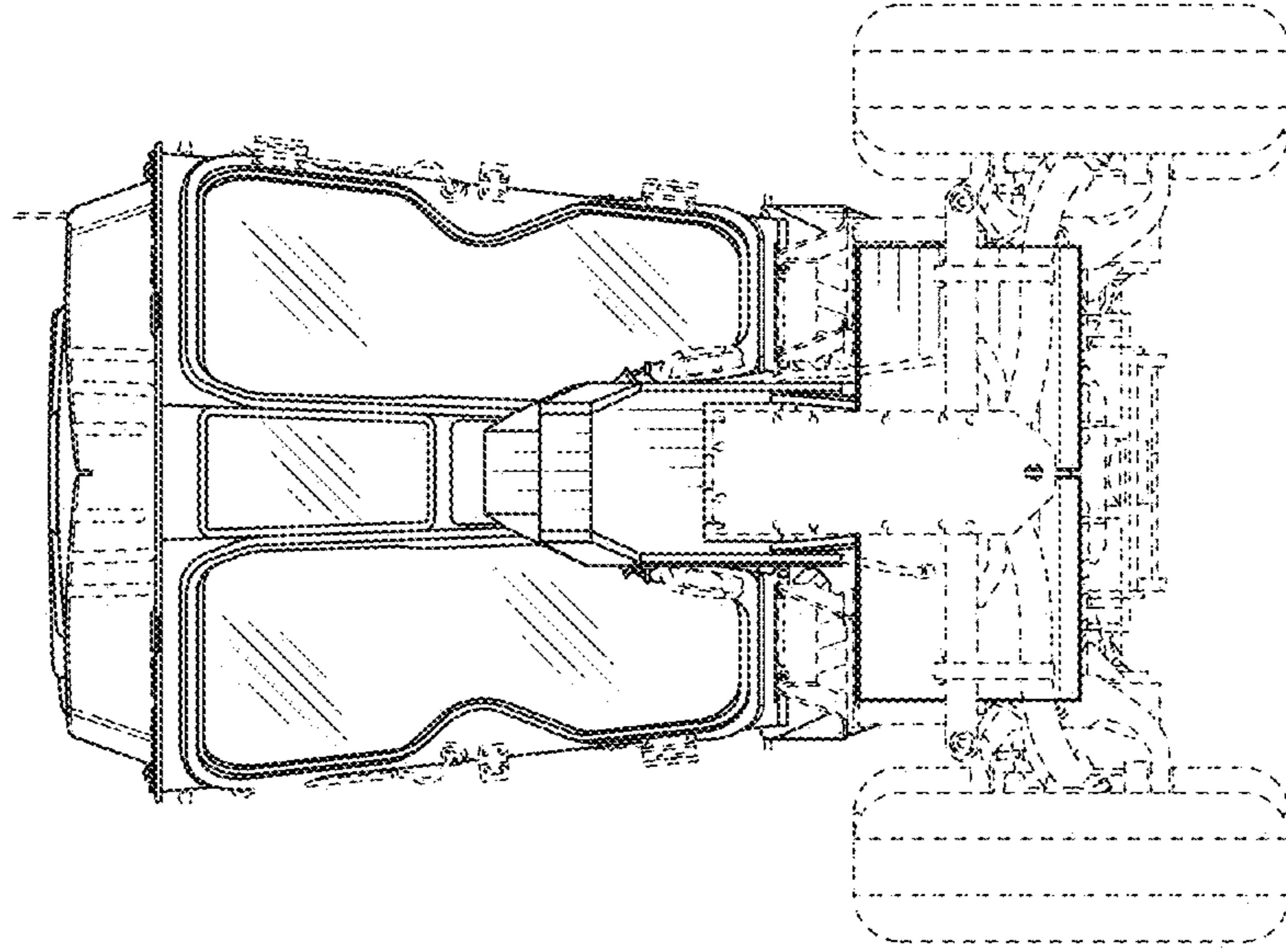


FIG. 4

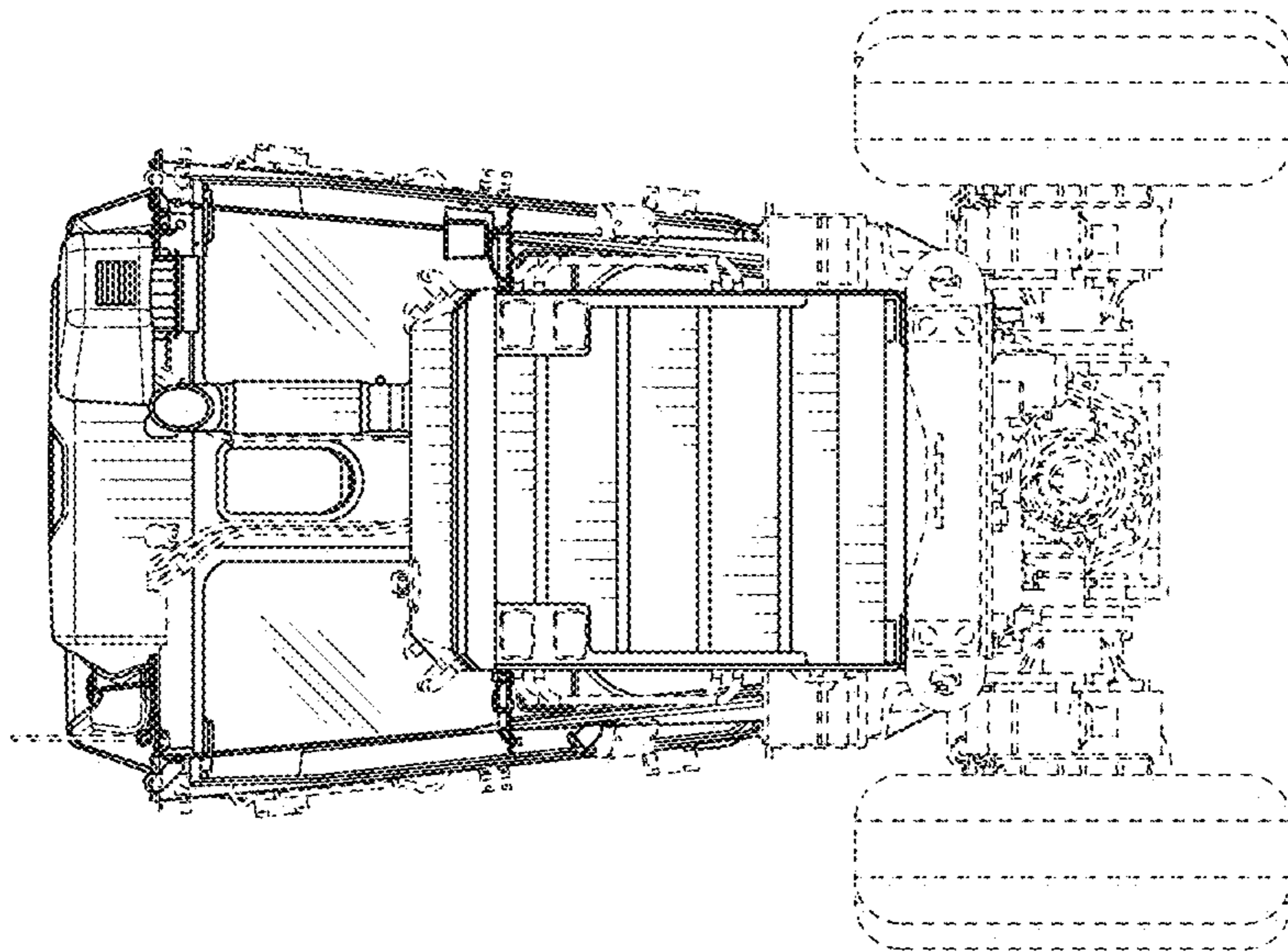


FIG. 5

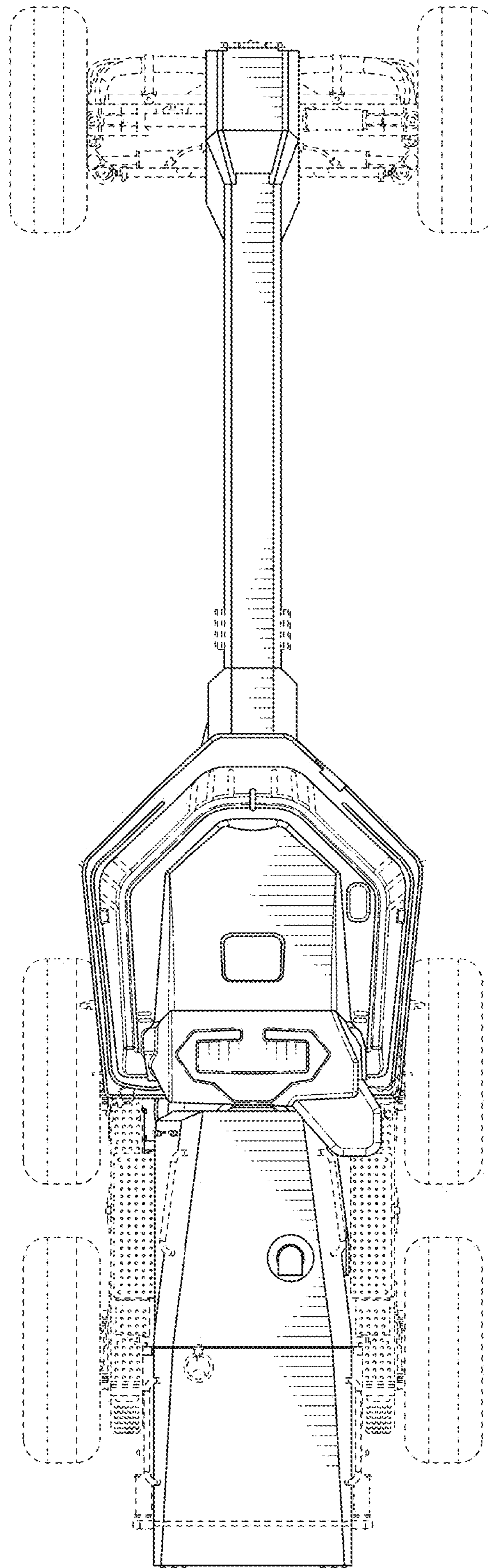


FIG. 6