



US00D886160S

(12) **United States Design Patent**
Oh et al.

(10) **Patent No.:** **US D886,160 S**
(45) **Date of Patent:** **** Jun. 2, 2020**

(54) **ELECTRONIC CLUTCH OF A
COMPRESSOR FOR VEHICLES**

(71) Applicant: **HANON SYSTEMS**, Daejeon (KR)

(72) Inventors: **Sung Taeg Oh**, Daejeon (KR); **Min Hwan Kim**, Daejeon (KR); **Jung Ki Kim**, Daejeon (KR)

(73) Assignee: **HANON SYSTEMS**, Daejeon (KR)

(**) Term: **15 Years**

(21) Appl. No.: **29/655,714**

(22) Filed: **Jul. 6, 2018**

(30) **Foreign Application Priority Data**

Jan. 8, 2018 (KR) 30-2018-0001101

(51) **LOC (12) Cl.** **15-02**

(52) **U.S. Cl.**
USPC **D15/9**

(58) **Field of Classification Search**
USPC D15/7-9; D23/231, 232, 235
CPC F02M 37/04; F02M 37/14
See application file for complete search history.

(56) **References Cited**

U.S. PATENT DOCUMENTS

D417,266 S	*	11/1999	Ito	D23/325
D507,280 S	*	7/2005	Chu	D15/9
D529,050 S	*	9/2006	Chu	D15/9
D529,927 S	*	10/2006	Chu	D15/9
D529,928 S	*	10/2006	Chu	D15/9
D529,930 S	*	10/2006	Chu	D15/9
D533,881 S	*	12/2006	Chu	D15/9
D554,666 S	*	11/2007	Chu	D15/9
D554,667 S	*	11/2007	Chu	D15/9
D555,174 S	*	11/2007	Hwang	D15/9

D555,670 S	*	11/2007	Hwang	D15/9
D556,783 S	*	12/2007	Chu	D15/9
D556,786 S	*	12/2007	Chu	D15/9
D557,287 S	*	12/2007	Chu	D15/9
D557,288 S	*	12/2007	Chu	D15/9
D574,854 S	*	8/2008	Chu	D15/9
D574,855 S	*	8/2008	Chu	D15/9
D574,858 S	*	8/2008	Chu	D15/9
D575,306 S	*	8/2008	Chu	D15/9
D575,307 S	*	8/2008	Chu	D15/9
D575,802 S	*	8/2008	Chu	D15/9
D589,064 S	*	3/2009	Chu	D15/9
D589,534 S	*	3/2009	Chu	D15/9
D603,873 S	*	11/2009	Chu	D15/9
D603,874 S	*	11/2009	Chu	D15/9
D603,875 S	*	11/2009	Chu	D15/9
D617,349 S	*	6/2010	Chu	D15/9
D647,925 S	*	11/2011	Chu	D15/9
D648,747 S	*	11/2011	McCombs	D15/9
D648,749 S	*	11/2011	Chu	D15/9

(Continued)

Primary Examiner — Mitchell I. Siegel

(74) *Attorney, Agent, or Firm* — Dickinson Wright PLLC

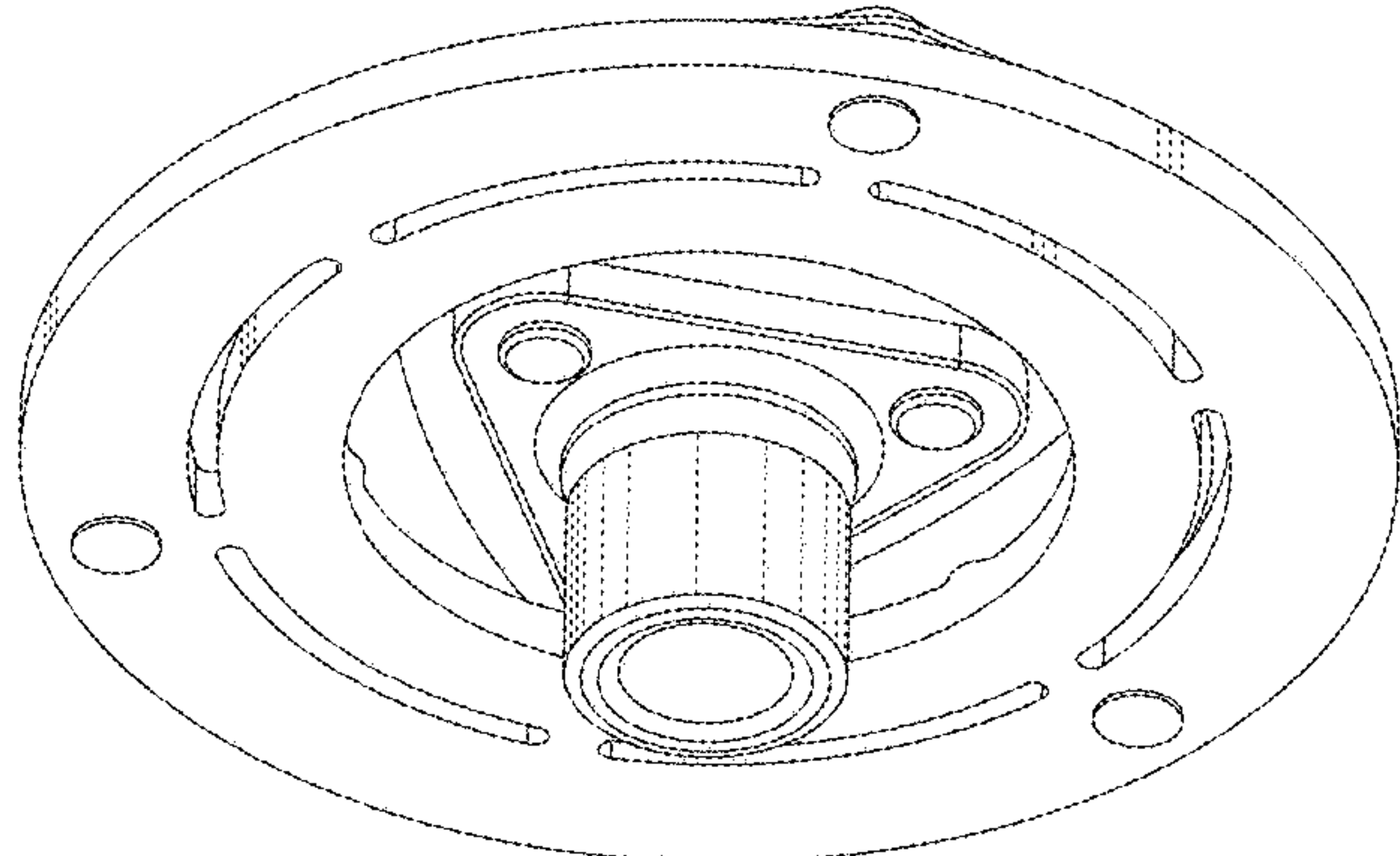
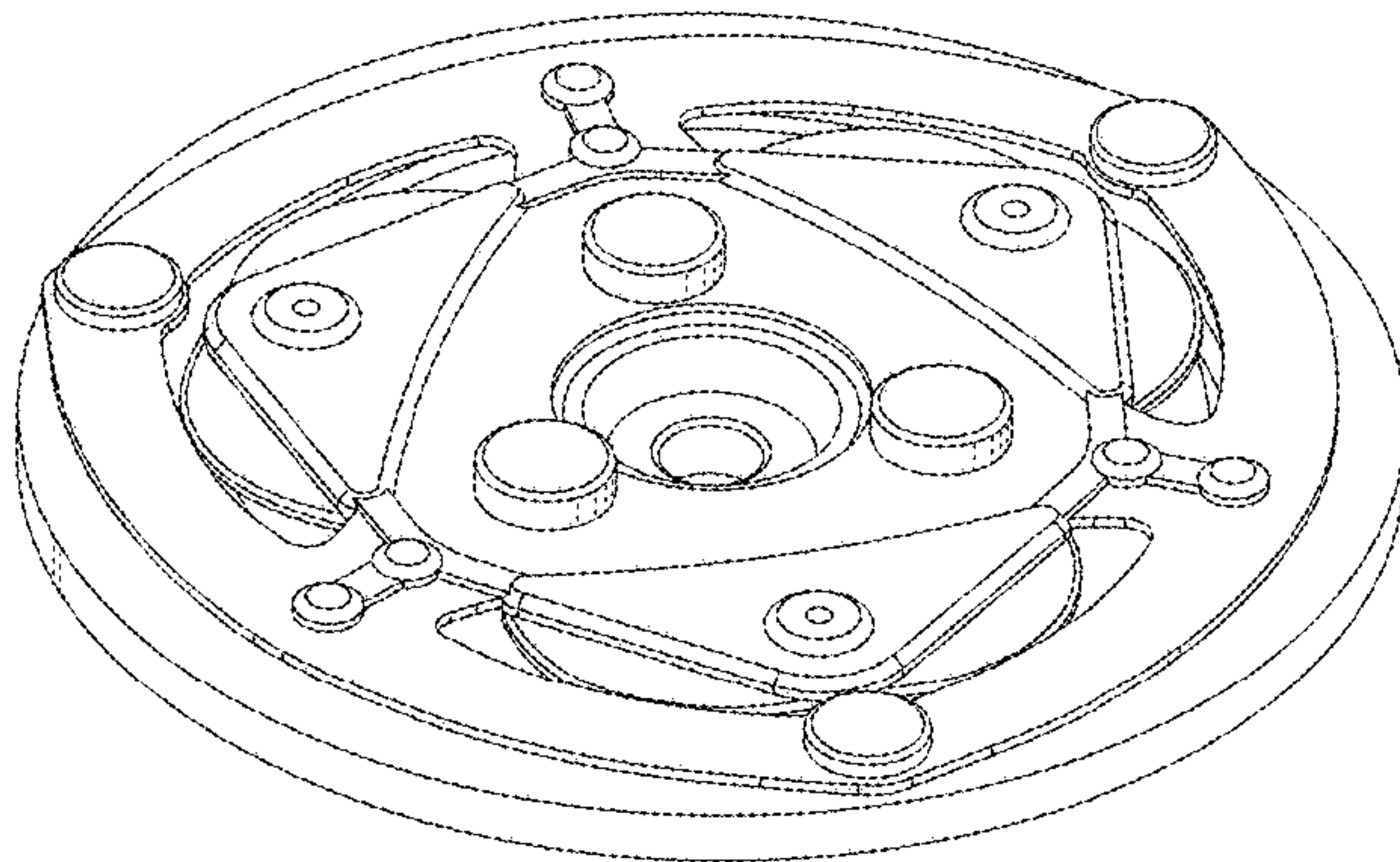
(57) **CLAIM**

The ornamental design of an electronic clutch of a compressor for vehicles, as shown and described.

DESCRIPTION

FIG. 1 is a perspective top view of an electronic clutch of a compressor for vehicles of the present design;
FIG. 2 is a perspective bottom view of the present design;
FIG. 3 is a front view of the present design;
FIG. 4 is a rear side view of the present design;
FIG. 5 is a left side view of the present design; the undisclosed right side is identical;
FIG. 6 is a top view of the present design;
FIG. 7 is a bottom view of the present design; and,
FIG. 8 is a perspective exploded view of the present design.

1 Claim, 5 Drawing Sheets



(56)

References Cited

U.S. PATENT DOCUMENTS

D648,751	S	*	11/2011	Chu	D15/9
D648,752	S	*	11/2011	Chu	D15/9
D648,753	S	*	11/2011	Chu	D15/9
D649,165	S	*	11/2011	Nam	D15/9
D652,845	S	*	1/2012	Nam	D15/9
D656,963	S	*	4/2012	Nam	D15/7
D657,384	S	*	4/2012	Chu	D15/9
D657,385	S	*	4/2012	Chu	D15/9
D657,386	S	*	4/2012	Chu	D15/9
D657,387	S	*	4/2012	Chu	D15/9
D657,388	S	*	4/2012	Chu	D15/9
D657,389	S	*	4/2012	Chu	D15/9
D657,390	S	*	4/2012	Chu	D15/9
D657,391	S	*	4/2012	Chu	D15/9
D657,392	S	*	4/2012	Chu	D15/9
D666,218	S	*	8/2012	Chu	D15/9
D666,219	S	*	8/2012	Chu	D15/9
D673,585	S	*	1/2013	Chu	D15/9
D678,344	S	*	3/2013	Chu	D15/9
D678,345	S	*	3/2013	Chu	D15/9
D678,346	S	*	3/2013	Chu	D15/9
D678,347	S	*	3/2013	Chu	D15/9
D694,270	S	*	11/2013	Chu	D15/9
D694,277	S	*	11/2013	Chu	D15/9
D695,789	S	*	12/2013	Nam	D15/9
D700,628	S	*	3/2014	Chu	D15/9
D707,717	S	*	6/2014	King	D15/7
D721,794	S	*	1/2015	Manwaring	D23/260
D819,085	S	*	5/2018	Ferguson	D15/7
D847,863	S	*	5/2019	Kidd	D15/7

* cited by examiner

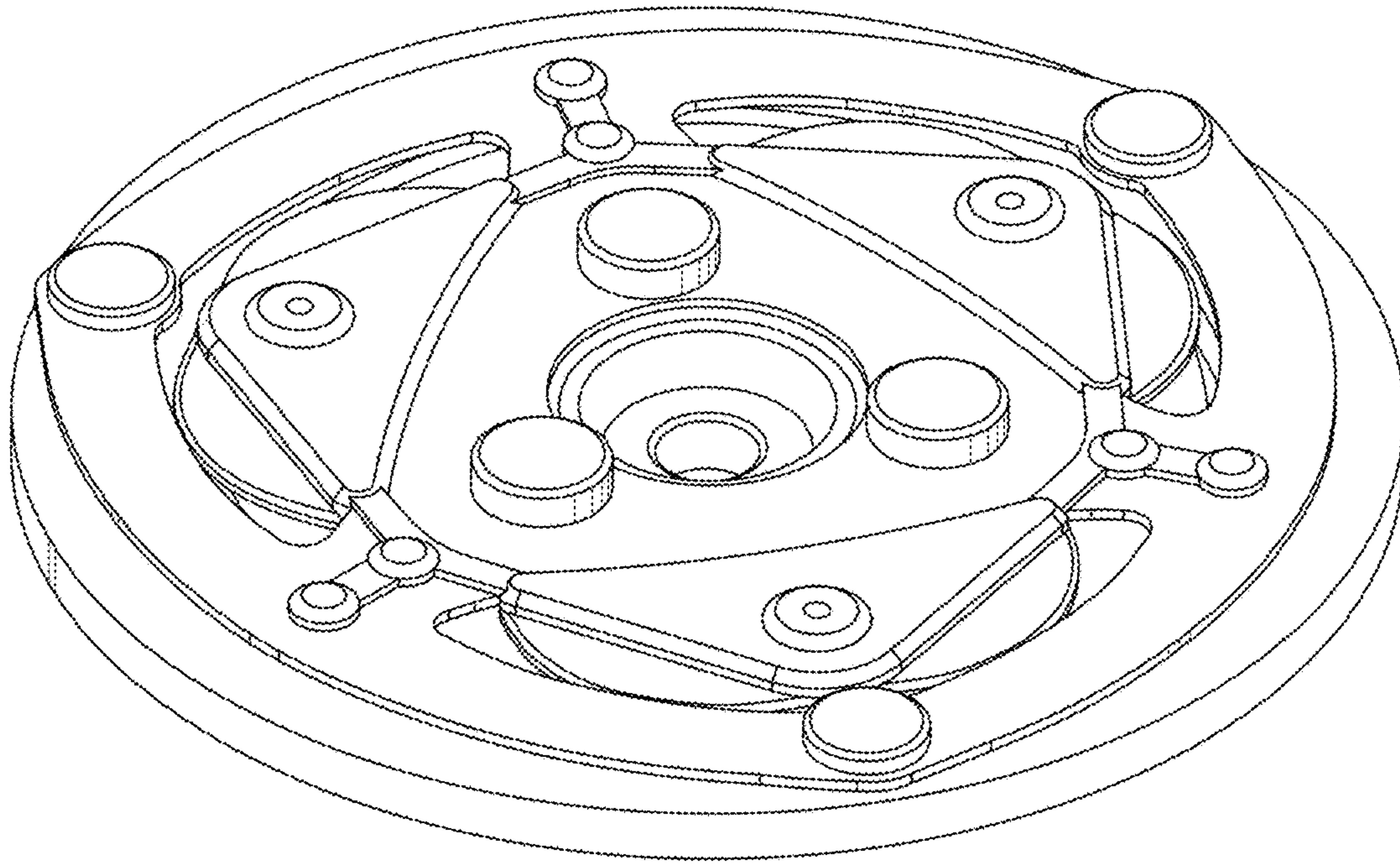


Fig-1

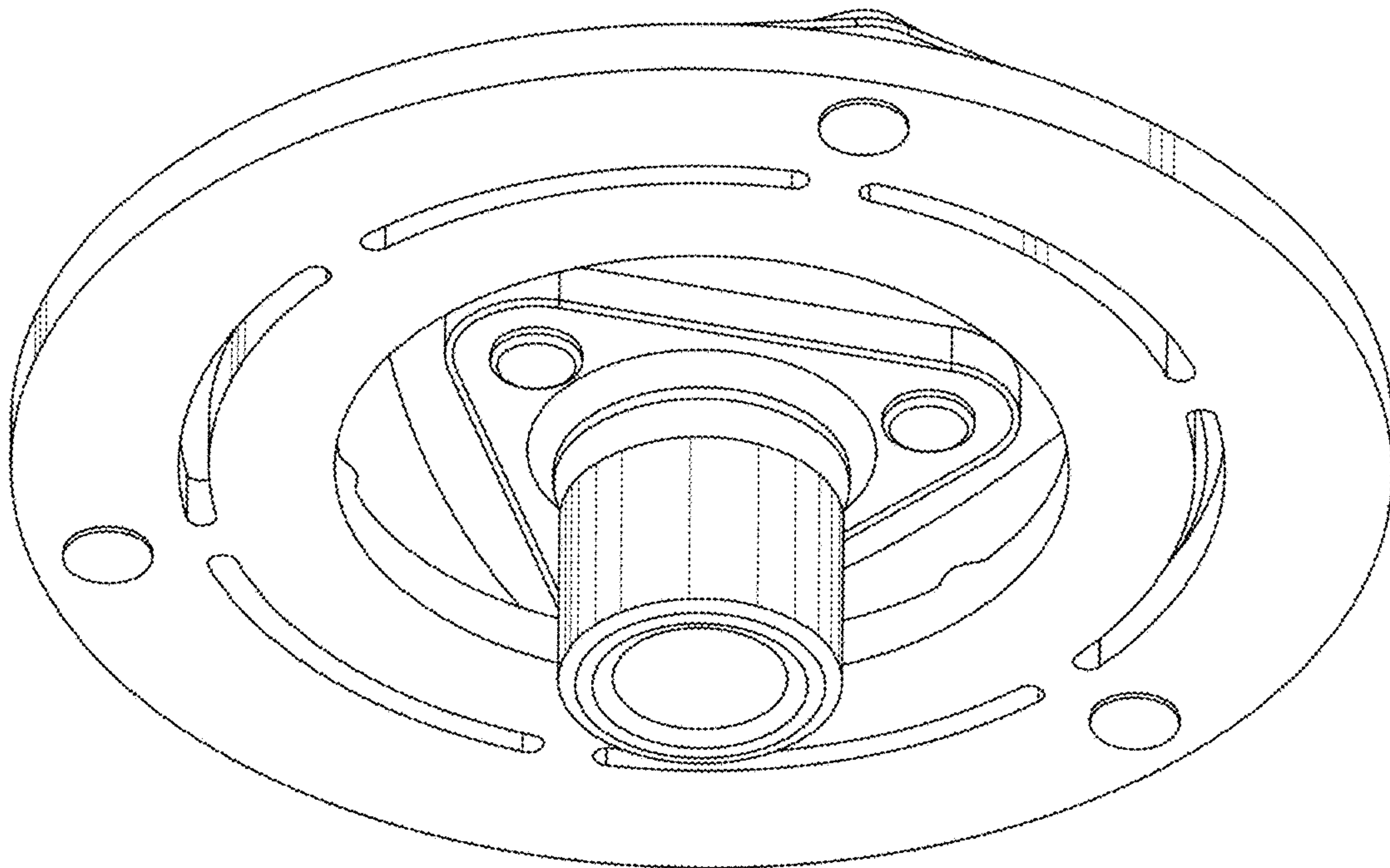


Fig-2

Fig. 3

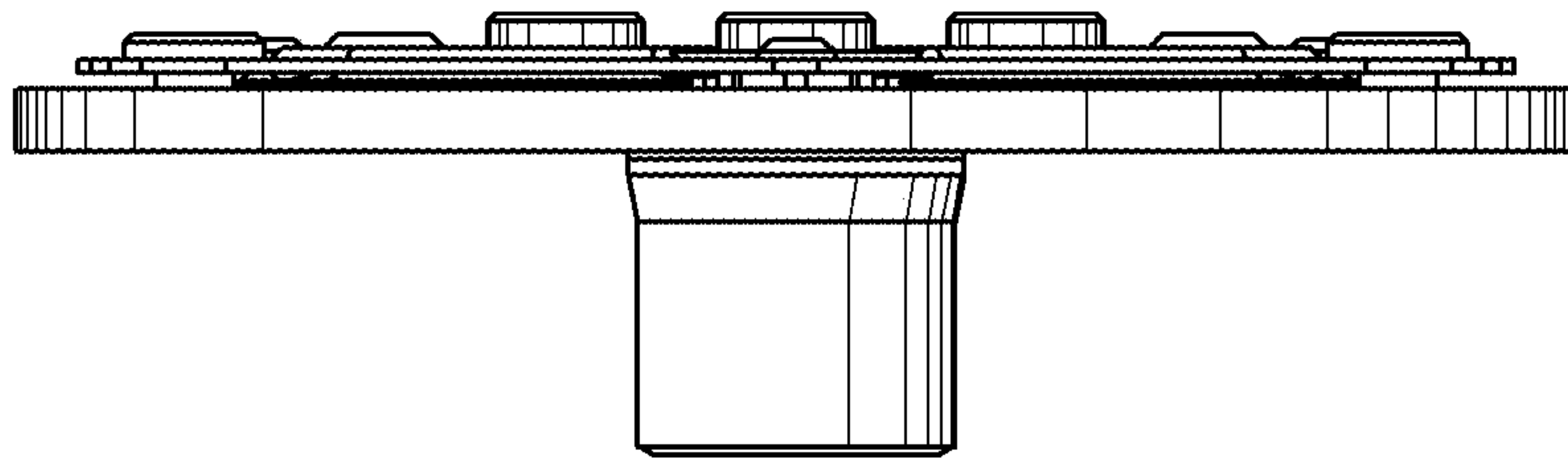


Fig. 4

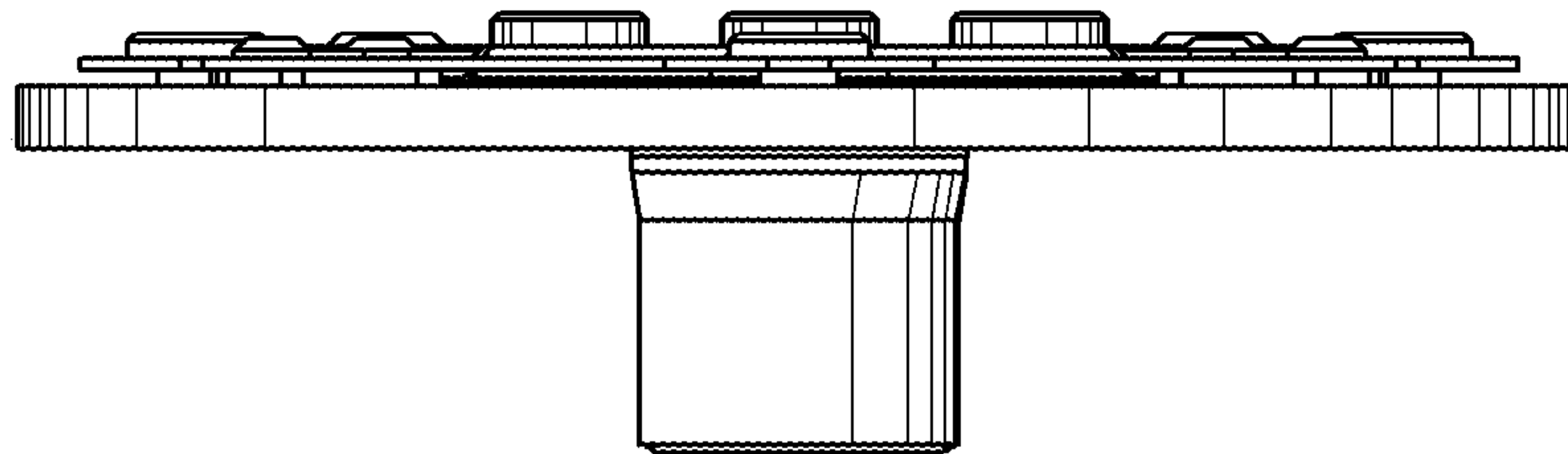
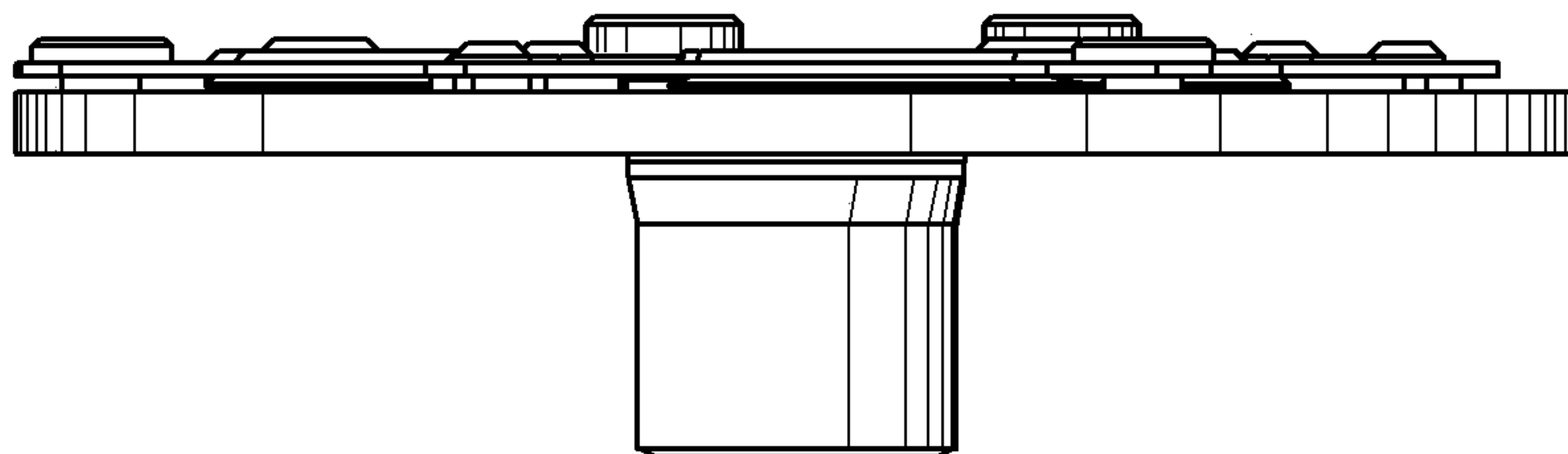


Fig. 5



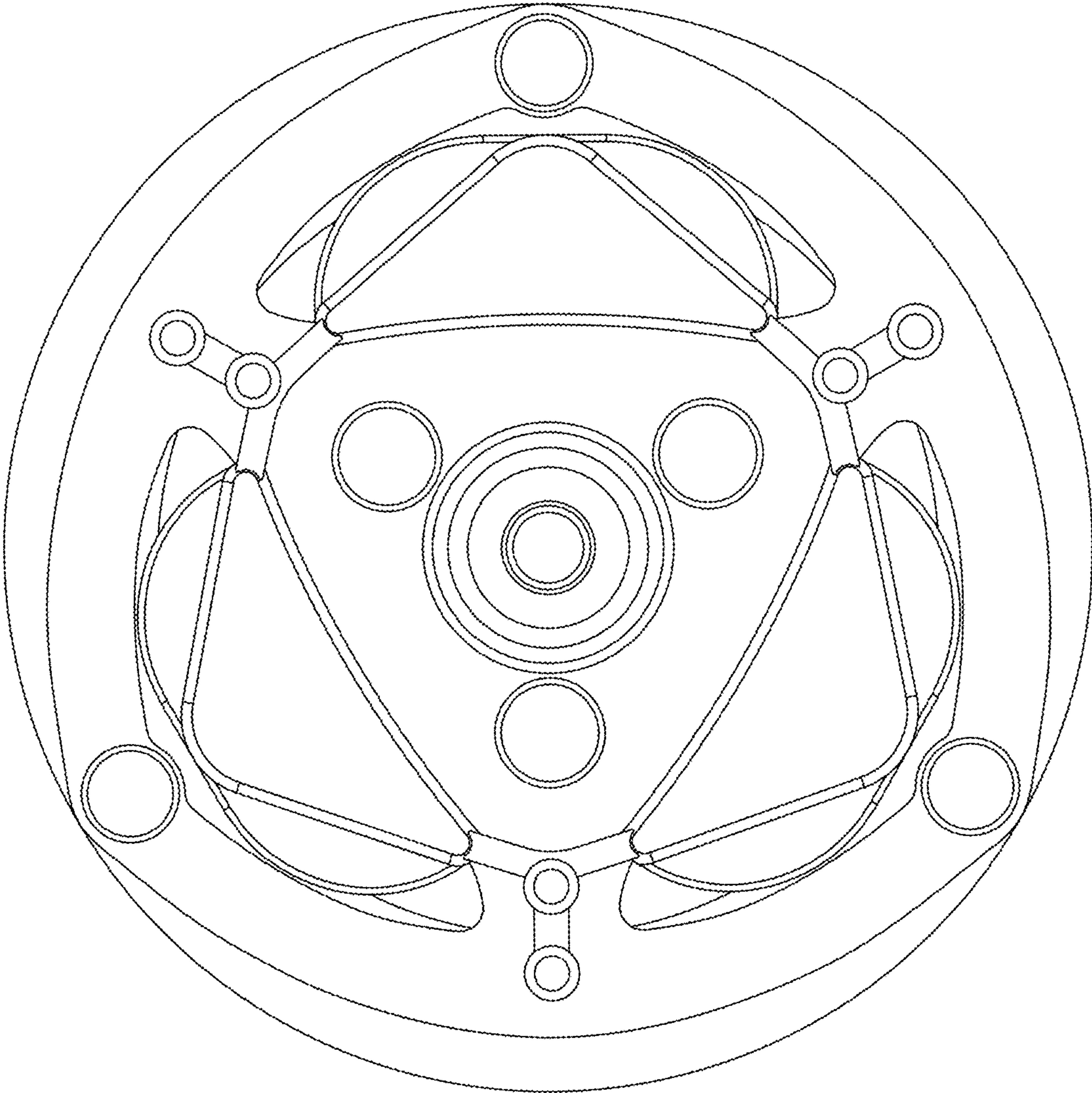


Fig-6

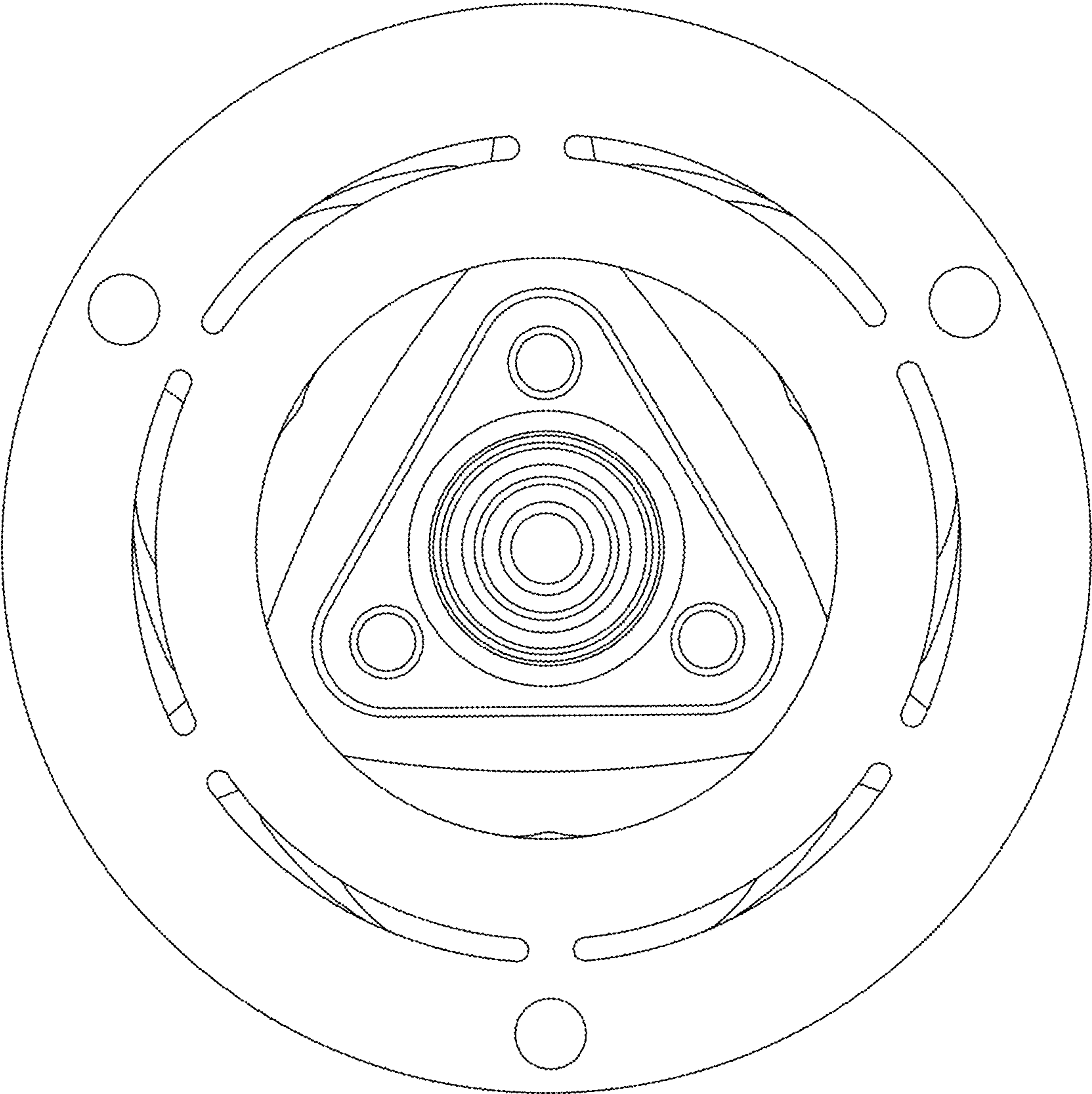


Fig-7

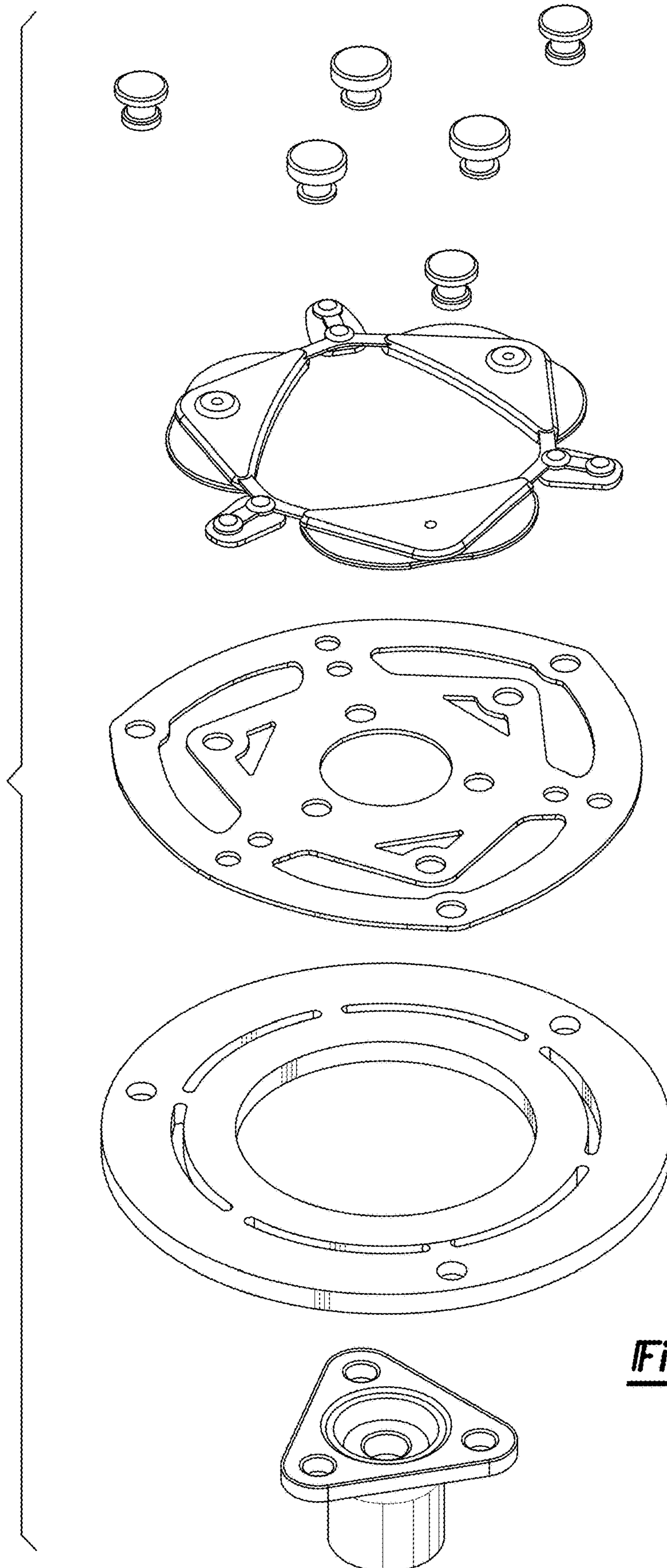


Fig-8