



US00D886159S

(12) **United States Design Patent** (10) **Patent No.:** **US D886,159 S**
Houguchi et al. (45) **Date of Patent:** **** Jun. 2, 2020**

(54) **AIR PUMP**
(71) Applicant: **NITTO KOHKI CO., LTD.**, Tokyo (JP)
(72) Inventors: **Kousei Houguchi**, Tokyo (JP); **Hiroshi Nishitsuji**, Tokyo (JP)
(73) Assignee: **NITTO KOHKI CO., LTD.**, Tokyo (JP)
(**) Term: **15 Years**

D359,962 S * 7/1995 Neshat D15/8
D374,075 S * 9/1996 Lee D15/7
D404,400 S * 1/1999 Wang D15/7
D426,243 S * 6/2000 Wang D15/8
D428,422 S * 7/2000 Wang D15/8
D428,896 S * 8/2000 Wang D15/8
D436,361 S * 1/2001 Yu-Chin D15/8
D436,362 S * 1/2001 Yu-Chin D15/8
D589,532 S * 3/2009 Ehrlich D15/7
D589,533 S * 3/2009 Anderson D15/8
D598,472 S * 8/2009 Anderson D15/7
D617,345 S * 6/2010 Wang D15/8

(Continued)

(21) Appl. No.: **29/671,895**
(22) Filed: **Nov. 30, 2018**

FOREIGN PATENT DOCUMENTS

JP D1464851 2/2013

(30) **Foreign Application Priority Data**

Jun. 15, 2018 (JP) 2018-013188

(51) **LOC (12) Cl.** **15-02**
(52) **U.S. Cl.**
USPC **D15/8**

(58) **Field of Classification Search**
USPC D15/7-9; D23/231, 232, 225
CPC .. A01K 63/042; A01K 63/045; A01K 63/047;
F02M 37/04; F02M 37/14; A61C 17/02;
A61C 17/024; A61C 17/14
See application file for complete search history.

(56) **References Cited**

U.S. PATENT DOCUMENTS

3,671,151 A * 6/1972 Duke et al. A01K 63/042
417/411
D224,356 S * 7/1972 Kondo D15/8
D247,435 S * 3/1978 Willinger D15/8
D247,436 S * 3/1978 Willinger D15/8
D253,652 S * 12/1979 Maryanski D15/8
D294,360 S * 2/1988 Levin D15/8
D306,447 S * 3/1990 Whitley, II D15/7
D306,449 S * 3/1990 Shannon D15/8
D338,018 S * 8/1993 Willinger D15/8

OTHER PUBLICATIONS

Nitto Kohki Co., Ltd., Unique Linear Shuttle Design, MEDO Air Blower Series, Model LA-28B/LA-45C/LA-60B/LA-80B/LA-100A/LA-120A/LAM-150/LAM-200, product page.

(Continued)

Primary Examiner — Mitchell I. Siegel
(74) *Attorney, Agent, or Firm* — Burriss Law, PLLC

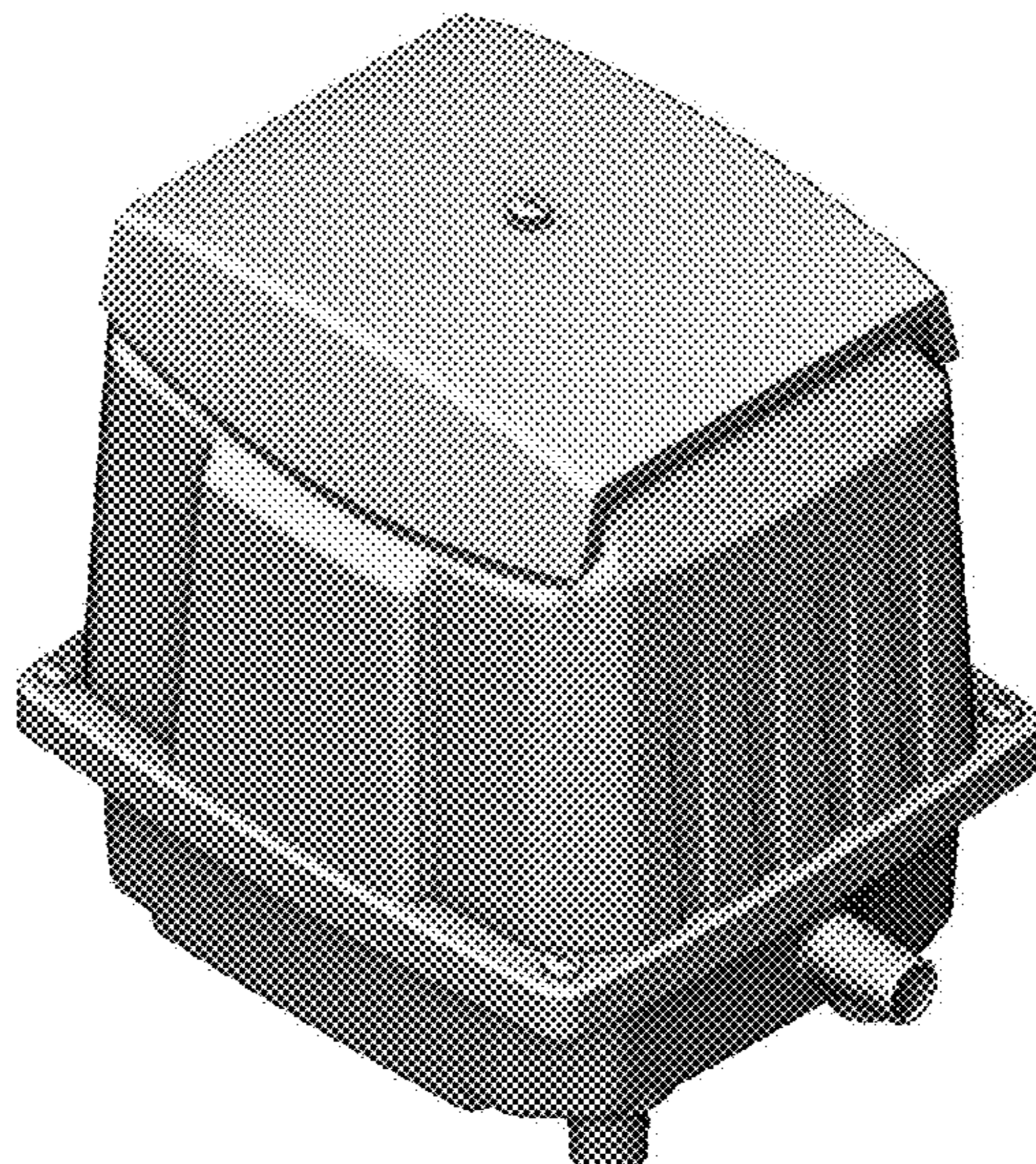
(57) **CLAIM**

The ornamental design for an air pump, as shown and described.

DESCRIPTION

FIG. 1 is a front perspective view of the air pump;
FIG. 2 is a front view thereof;
FIG. 3 is a rear view thereof;
FIG. 4 is a top view thereof;
FIG. 5 is a bottom view thereof;
FIG. 6 is a left side view thereof; and,
FIG. 7 is a right side view thereof.

1 Claim, 7 Drawing Sheets



(56)

References Cited

U.S. PATENT DOCUMENTS

D701,536 S * 3/2014 Shakal D15/7
D839,923 S * 2/2019 Hariri D15/8

OTHER PUBLICATIONS

MEDO USA, 2005, LA Series Aerators, LA-28B & LA-45B,
LA-60B, LA-100 & LA-120, and LA-80B product pages.

* cited by examiner

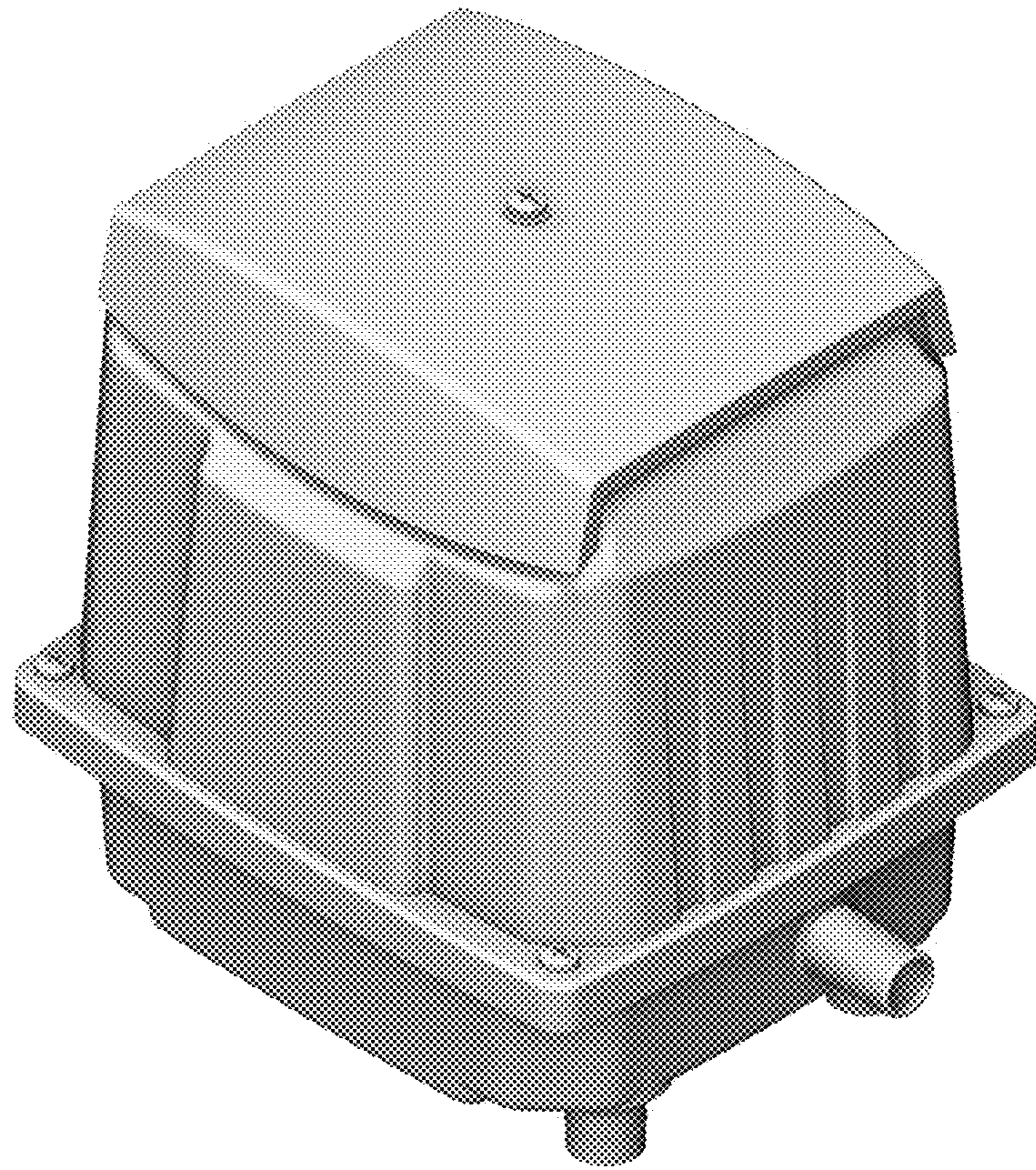


FIG. 1

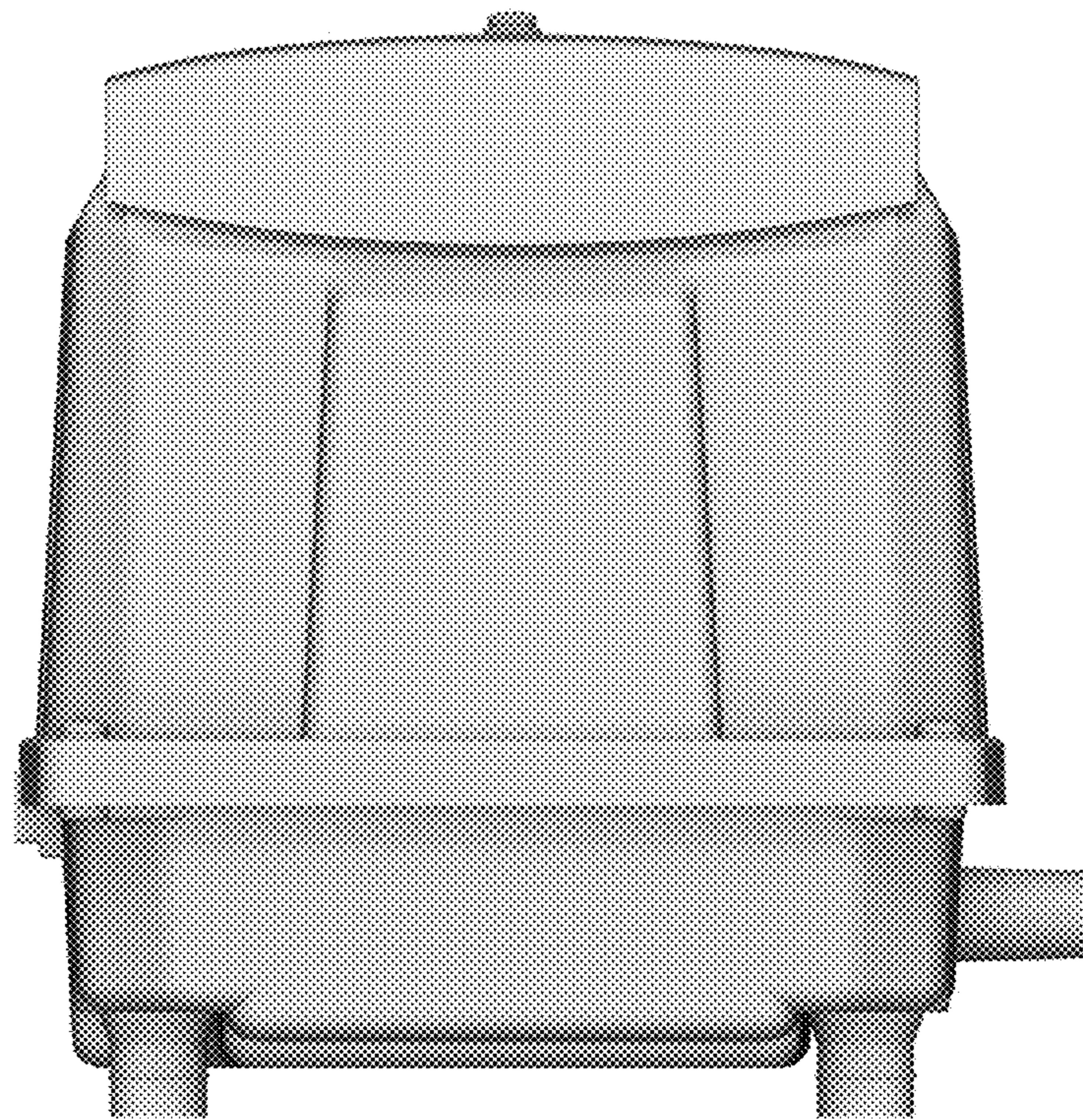


FIG. 2

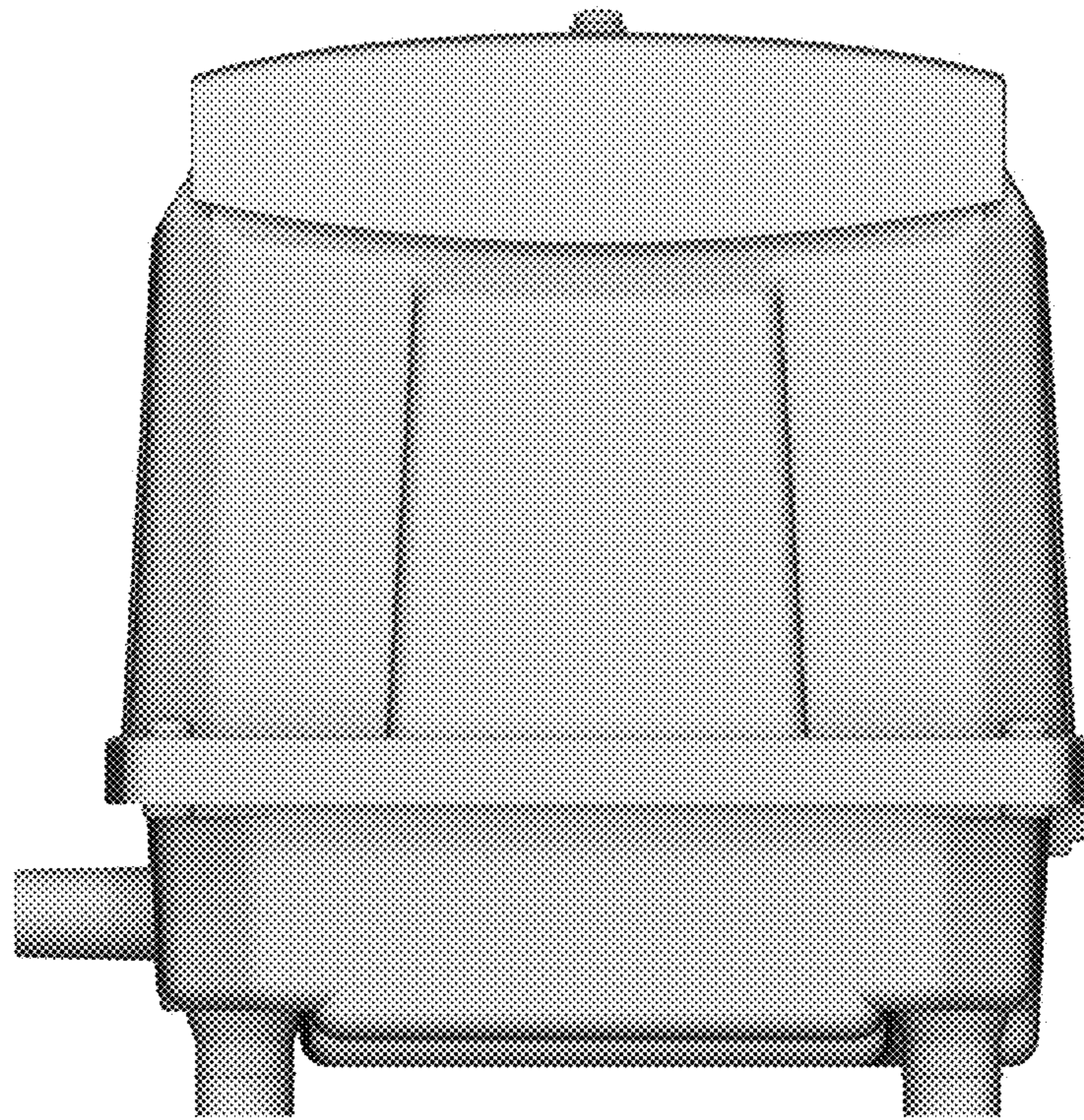


FIG. 3

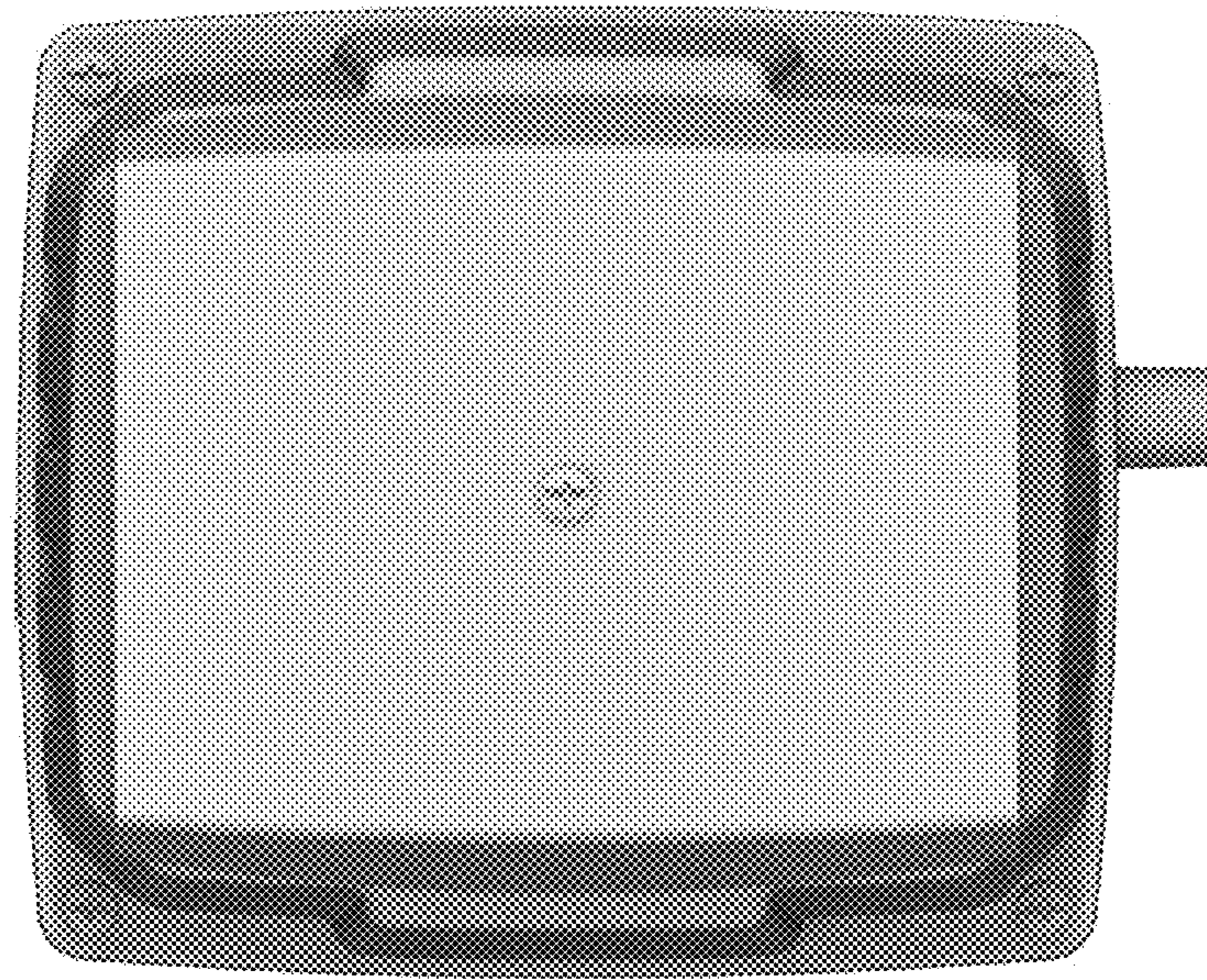


FIG. 4

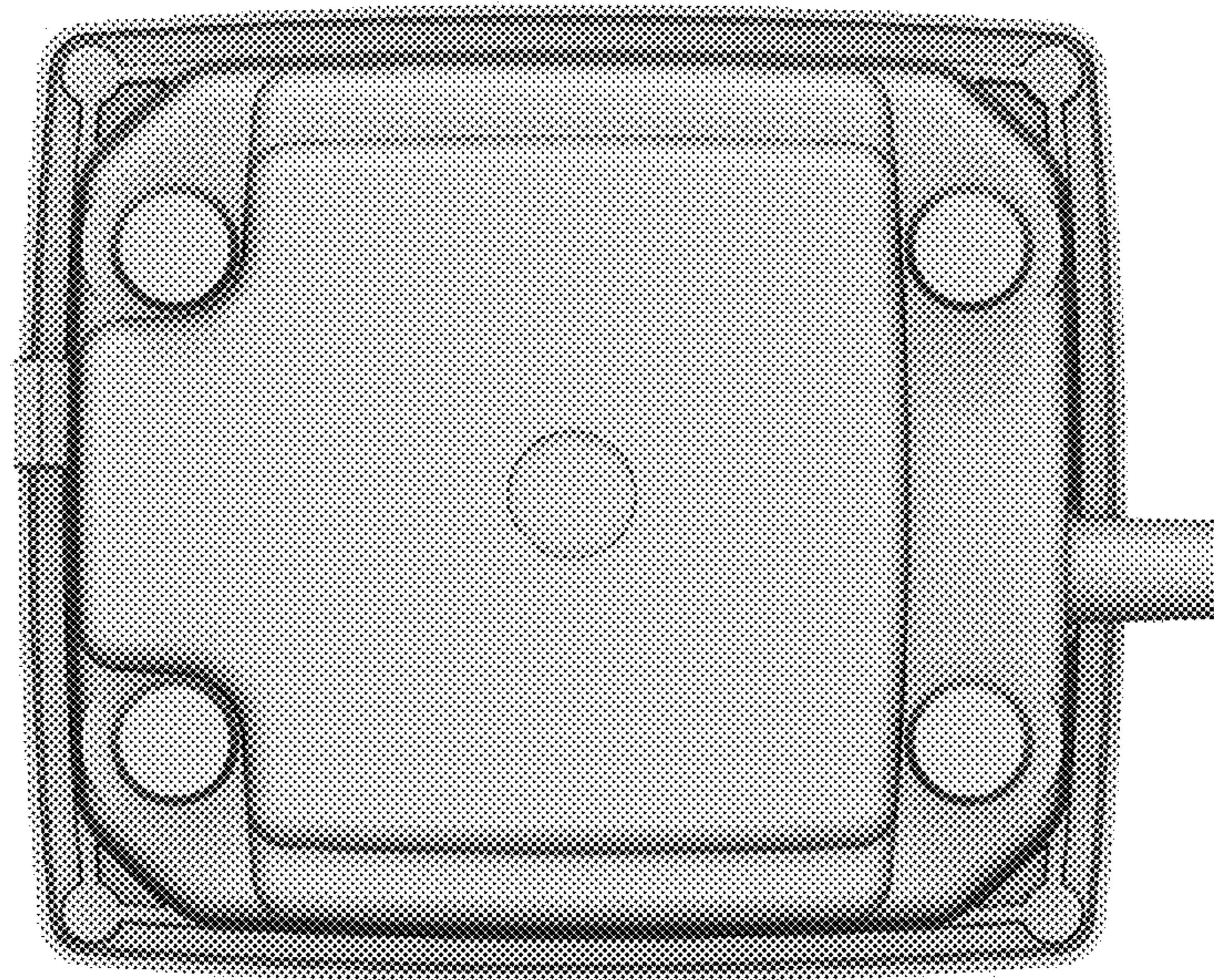


FIG. 5

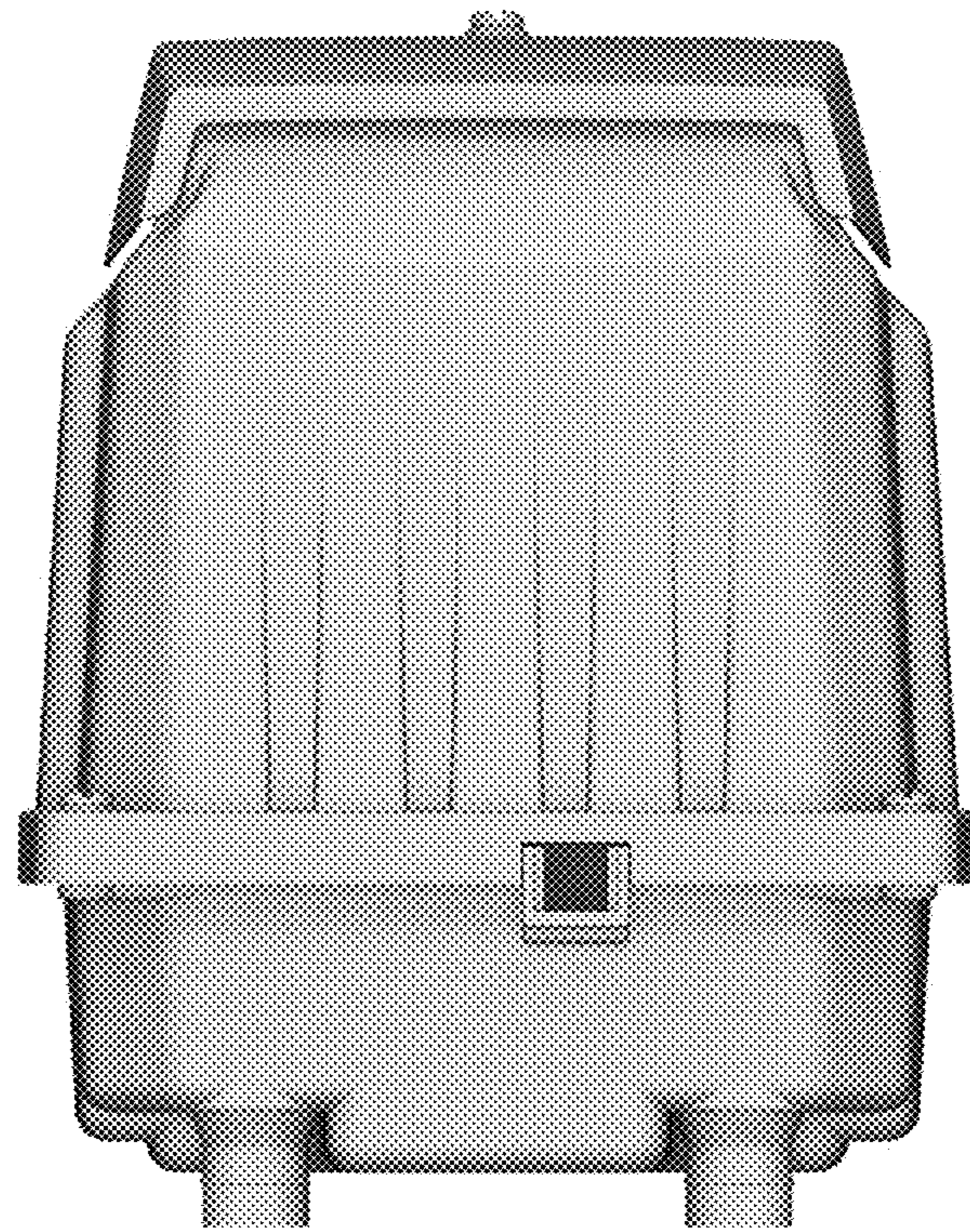


FIG. 6

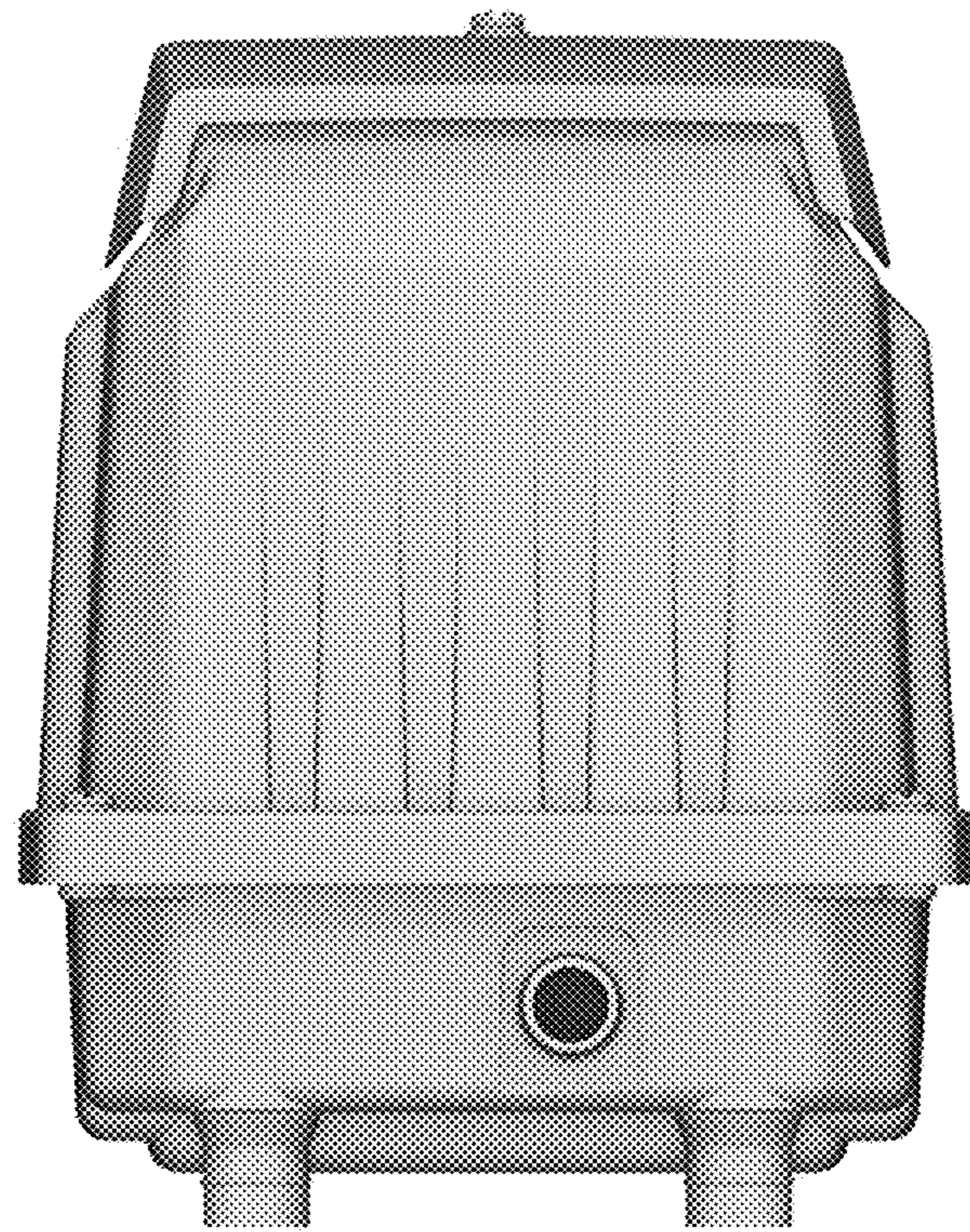


FIG. 7