



US00D886158S

(12) **United States Design Patent**
Zhang et al.

(10) **Patent No.:** **US D886,158 S**
(45) **Date of Patent:** **** Jun. 2, 2020**

(54) **ELECTRIC PUMP**

(71) Applicant: **Hangzhou Sanhua Research Institute Co., Ltd.**, Hangzhou (CN)

(72) Inventors: **Jun Zhang**, Hangzhou (CN); **Junfeng Bao**, Hangzhou (CN); **Qiang Ning**, Hangzhou (CN)

(73) Assignee: **Hangzhou Sanhua Research Institute Co., Ltd.**, Hangzhou (CN)

(**) Term: **15 Years**

(21) Appl. No.: **29/643,595**

(22) Filed: **Apr. 10, 2018**

(30) **Foreign Application Priority Data**

Oct. 19, 2017 (CN) 2017 3 0499381

(51) **LOC (12) Cl.** **15-02**

(52) **U.S. Cl.**
USPC **D15/7**

(58) **Field of Classification Search**
USPC D15/7-9
CPC F02M 37/04; F02M 31/14; F04D 29/4286;
F04D 29/22; F04D 29/046; F04D
29/2266; F04D 13/06; F04B 1/005
See application file for complete search history.

(56) **References Cited**

U.S. PATENT DOCUMENTS

D425,914 S *	5/2000	Tsai	D15/7
D435,049 S *	12/2000	Tsai	D15/7
D453,342 S *	2/2002	Wu	D15/7
D453,524 S *	2/2002	Wu	D15/7
D479,722 S *	9/2003	Poon	D15/7
D486,159 S *	2/2004	Poon	D15/7
D487,752 S *	3/2004	Tsai	D15/7
D490,442 S *	5/2004	Kuboshima	D15/7

D491,577 S *	6/2004	Akimoto	D15/7
D498,241 S *	11/2004	Song	D15/7
D498,480 S *	11/2004	Tsai	D15/7
D559,269 S *	1/2008	Wu	D15/7
D581,434 S *	11/2008	Hamagishi	D15/7
D604,331 S *	11/2009	Tokunaga	D15/7
D604,332 S *	11/2009	Tokunaga	D15/7
D721,390 S *	1/2015	Walter	D15/7
D736,265 S *	8/2015	Walter	D15/7
D771,713 S *	11/2016	Ye	D15/7
D782,540 S *	3/2017	Zhang	D15/7
D804,536 S *	12/2017	Bao	D15/7
D842,339 S *	3/2019	Bao	D15/7
10,253,787 B2 *	4/2019	Walter	F04F 5/16

(Continued)

Primary Examiner — Mitchell I. Siegel

(74) *Attorney, Agent, or Firm* — Boyle Fredrickson S.C.

(57) **CLAIM**

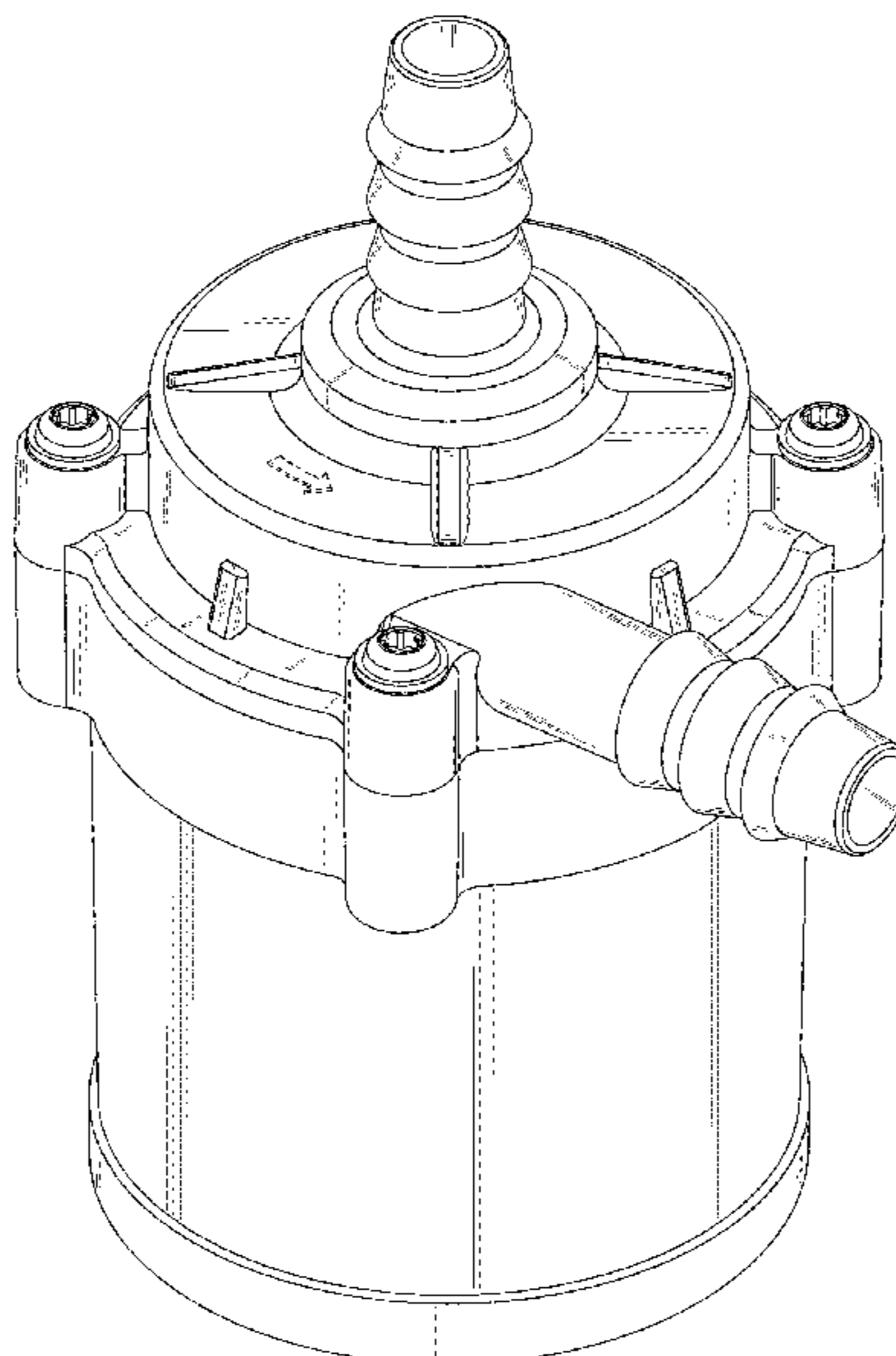
The ornamental design for an electric pump, substantially as shown and described.

DESCRIPTION

FIG. 1 is a front view of an electric pump according to the present application;
FIG. 2 is a rear view of the electric pump according to the present application;
FIG. 3 is a left view of the electric pump according to the present application;
FIG. 4 is a right view of the electric pump according to the present application;
FIG. 5 is a top view of the electric pump according to the present application;
FIG. 6 is a bottom view of the electric pump according to the present application; and,
FIG. 7 is a perspective view of the electric pump according to the present application.

The broken lines in the drawings illustrating environmental structure or boundaries form no part of the claimed design.

1 Claim, 7 Drawing Sheets



(56)

References Cited

U.S. PATENT DOCUMENTS

2007/0247009 A1* 10/2007 Hoffman F04D 25/0606
310/51
2011/0115313 A1* 5/2011 Lee F04D 13/06
310/43

* cited by examiner

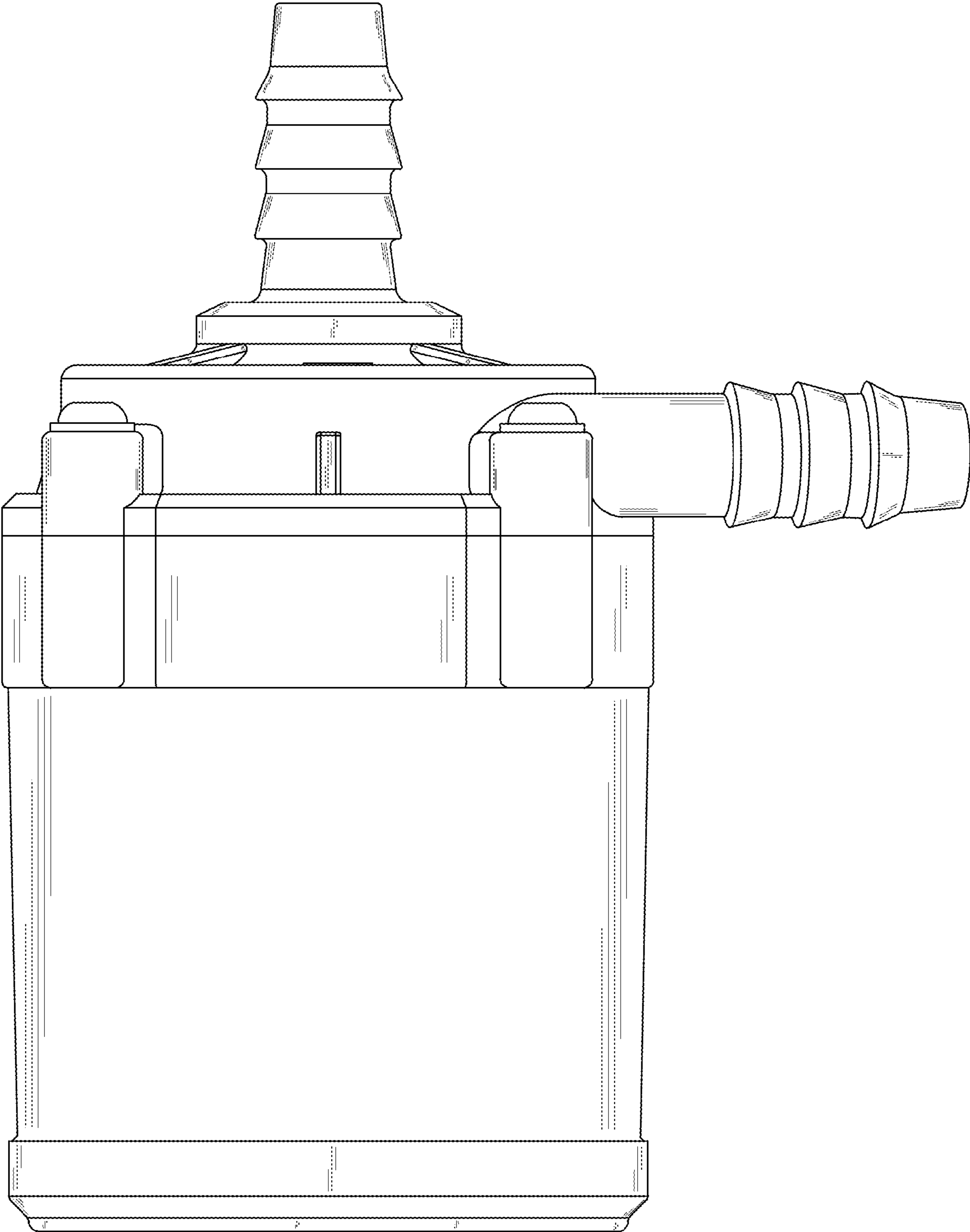


FIG. 1

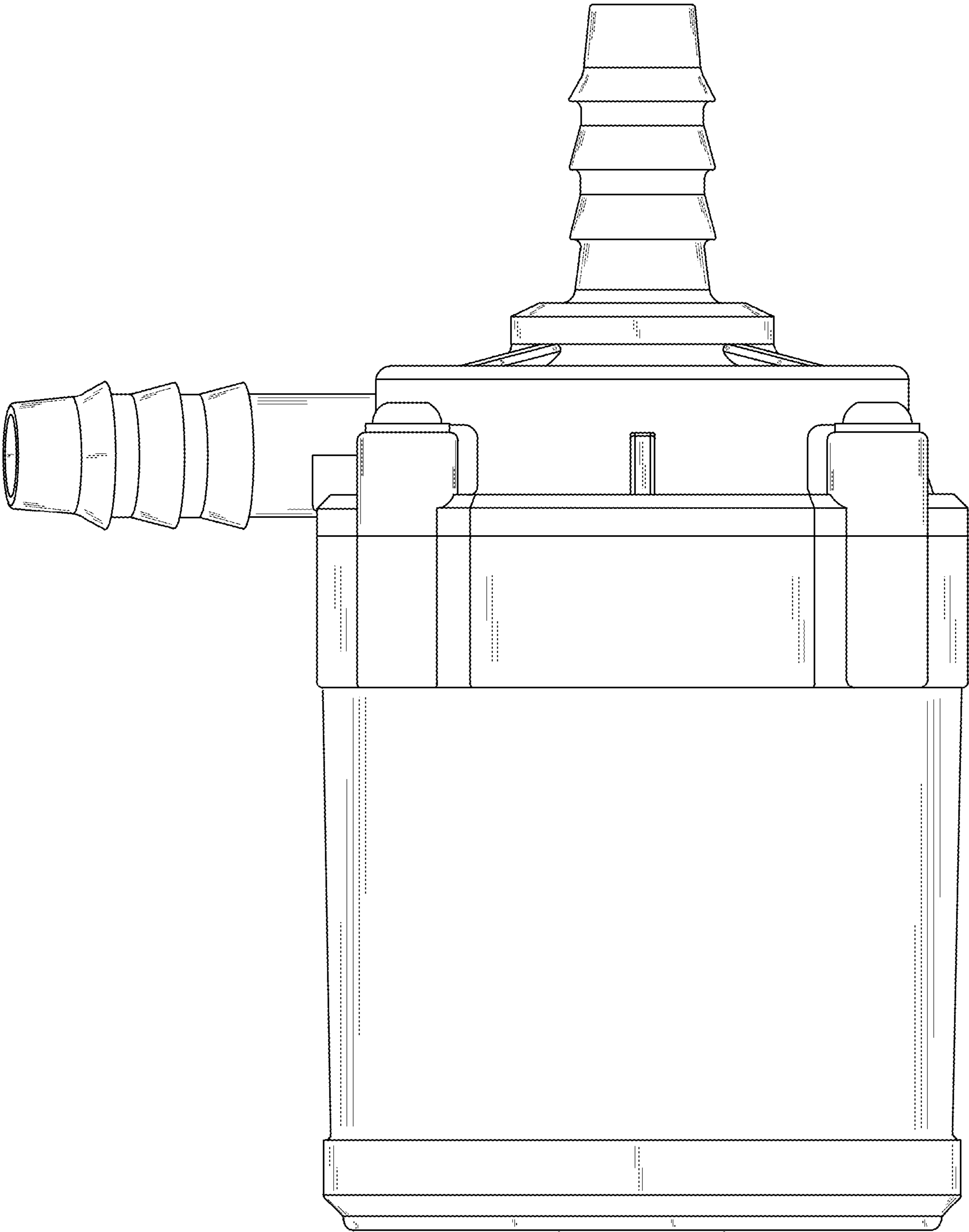


FIG. 2

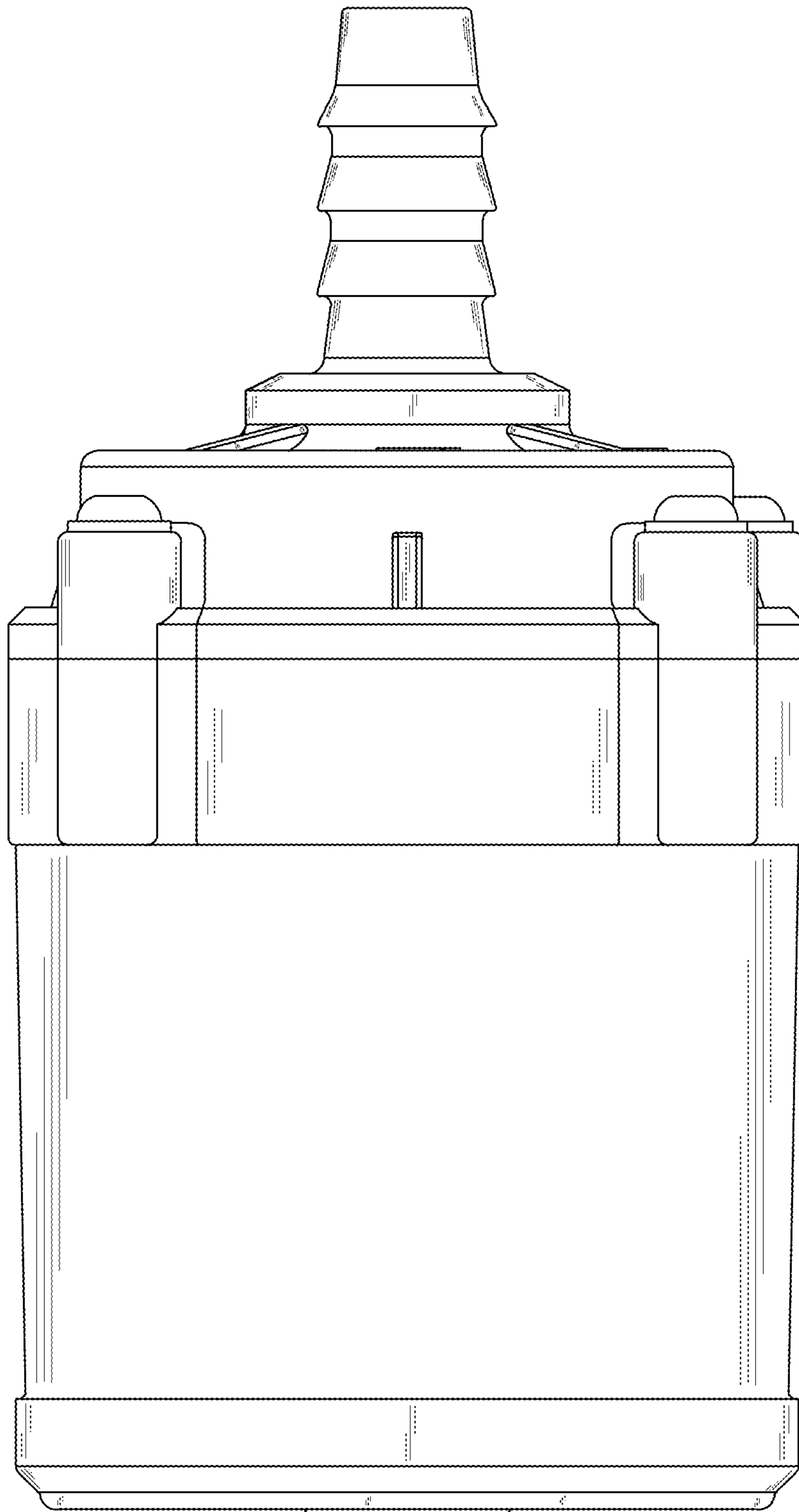


FIG. 3

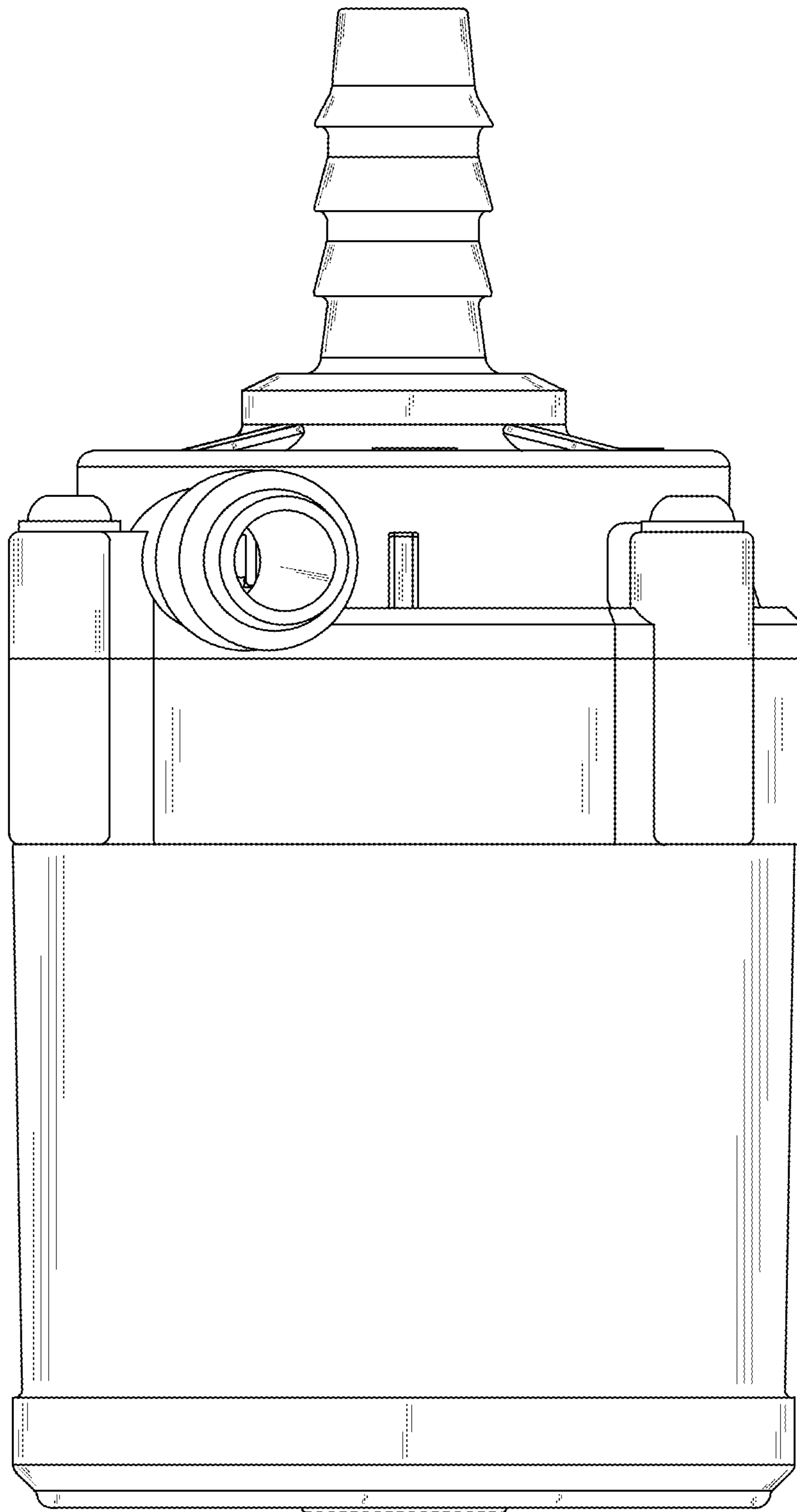


FIG. 4

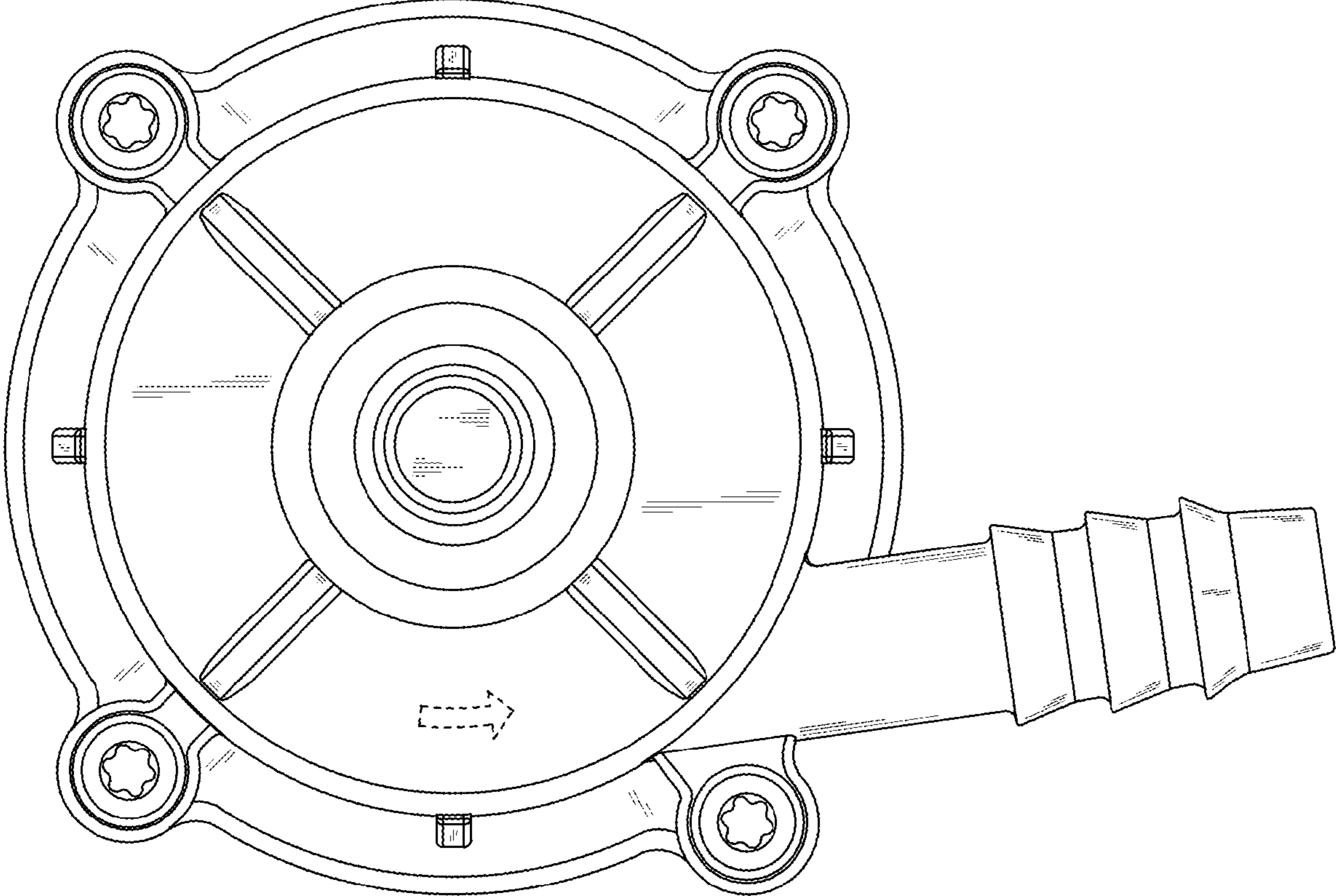


FIG. 5

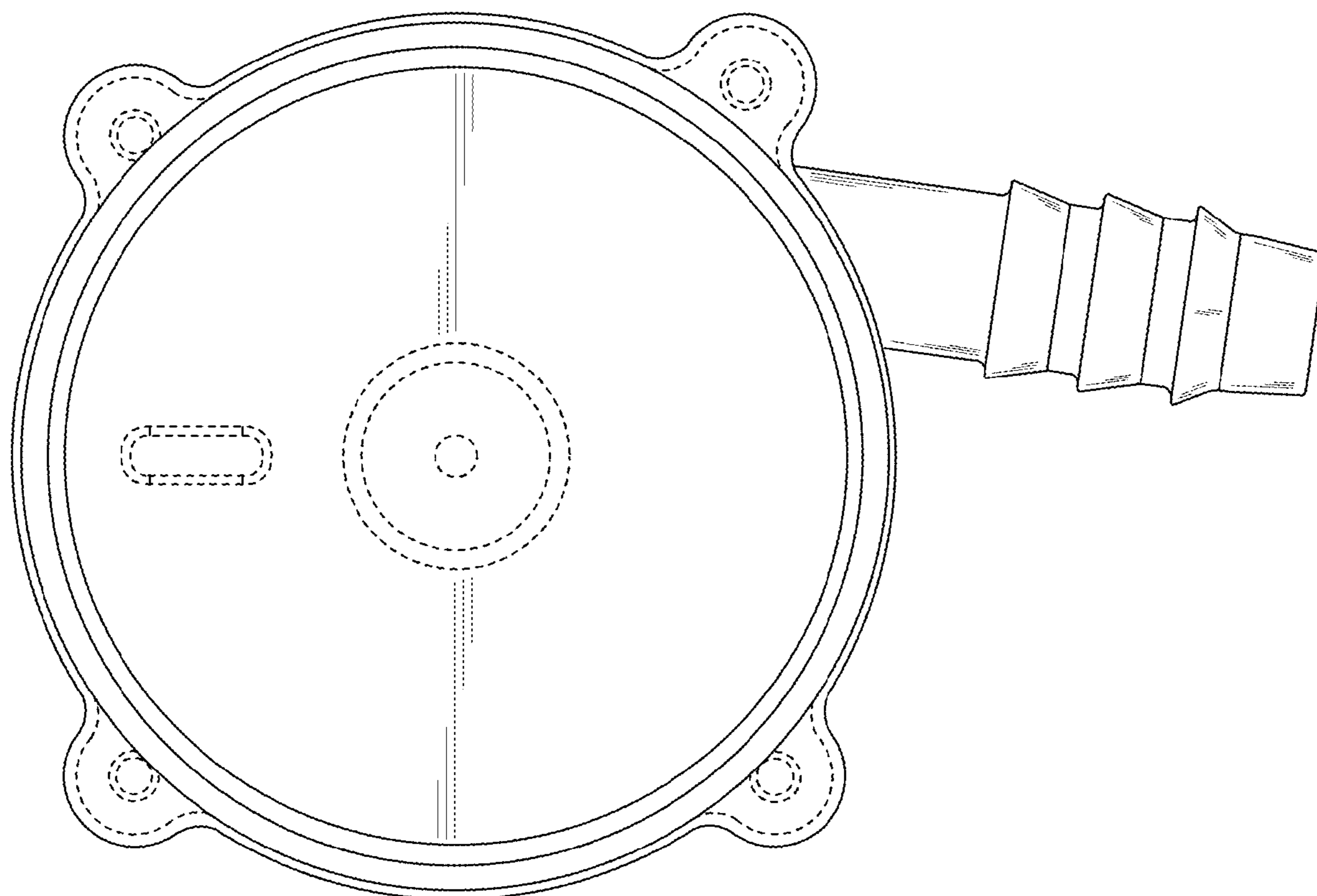


FIG. 6

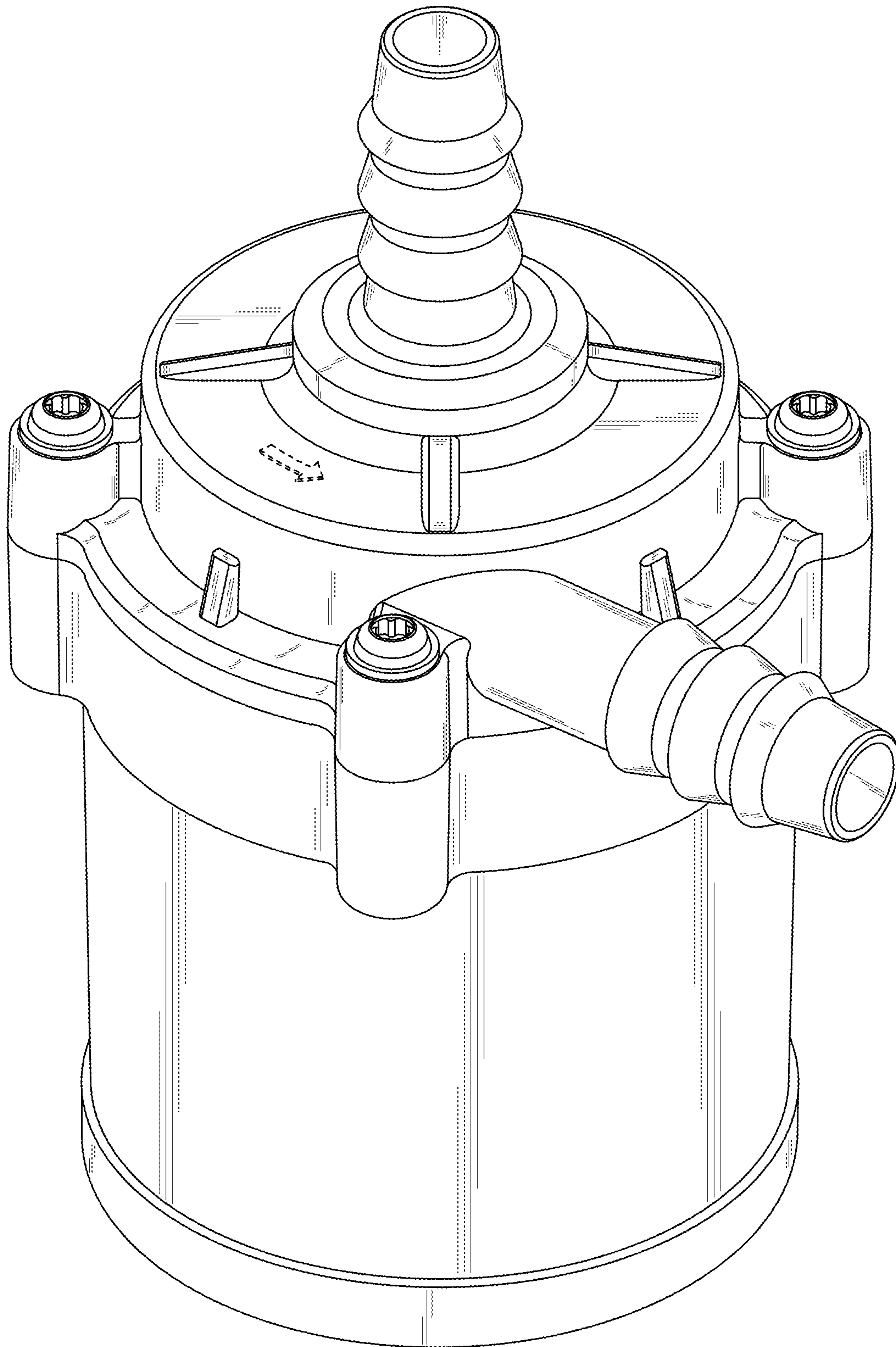


FIG. 7