



US00D886156S

(12) **United States Design Patent** (10) **Patent No.:** **US D886,156 S**
Lewis, Jr. et al. (45) **Date of Patent:** **** Jun. 2, 2020**

(54) **TWO-STAGE ENGINE CHARGE AIR SYSTEM WITH BRANCH CONDUITS**
(71) Applicant: **CUMMINS INC.**, Columbus, IN (US)
(72) Inventors: **Rick V. Lewis, Jr.**, Franklin, IN (US); **Francois Ntone**, Columbus, IN (US); **Robin J. Bremmer**, Columbus, IN (US); **Philippe F. Saad**, Columbus, IN (US); **Johnny Chung-Yin Tsai**, Columbus, IN (US); **Nikhil J. Ajotikar**, Columbus, IN (US)

D665,425 S 8/2012 Genter
8,439,020 B1 5/2013 Carlson
D685,820 S * 7/2013 Okuda D15/3
D704,740 S 5/2014 Bellinger
D710,899 S 8/2014 Kuehner
D797,151 S * 9/2017 Bonanni D15/3
9,903,324 B2 * 2/2018 Nishimura F02M 37/0064
2001/0039934 A1 * 11/2001 Ohrnberger F01B 1/12
123/195 A
2015/0083083 A1 3/2015 Maetani
2017/0082041 A1 3/2017 Hirose

* cited by examiner

Primary Examiner — Ania Aman

(74) *Attorney, Agent, or Firm* — Faegre Drinker Biddle & Reath LLP

(73) Assignee: **Cummins Inc.**, Columbus, IN (US)

(**) Term: **15 Years**

(21) Appl. No.: **29/643,015**

(22) Filed: **Apr. 3, 2018**

Related U.S. Application Data

(63) Continuation-in-part of application No. 29/536,553, filed on Aug. 18, 2015.

(51) **LOC (12) Cl.** **15-01**

(52) **U.S. Cl.**
USPC **D15/5**

(58) **Field of Classification Search**
USPC D15/1-6
CPC F01N 2340/06; F01N 13/10; F02B 33/00;
F02B 33/40; F02B 37/00; F02B 33/44;
F02M 35/10
See application file for complete search history.

(56) **References Cited**

U.S. PATENT DOCUMENTS

D224,169 S * 7/1972 Rudd D15/1
7,028,679 B2 4/2006 Hillman

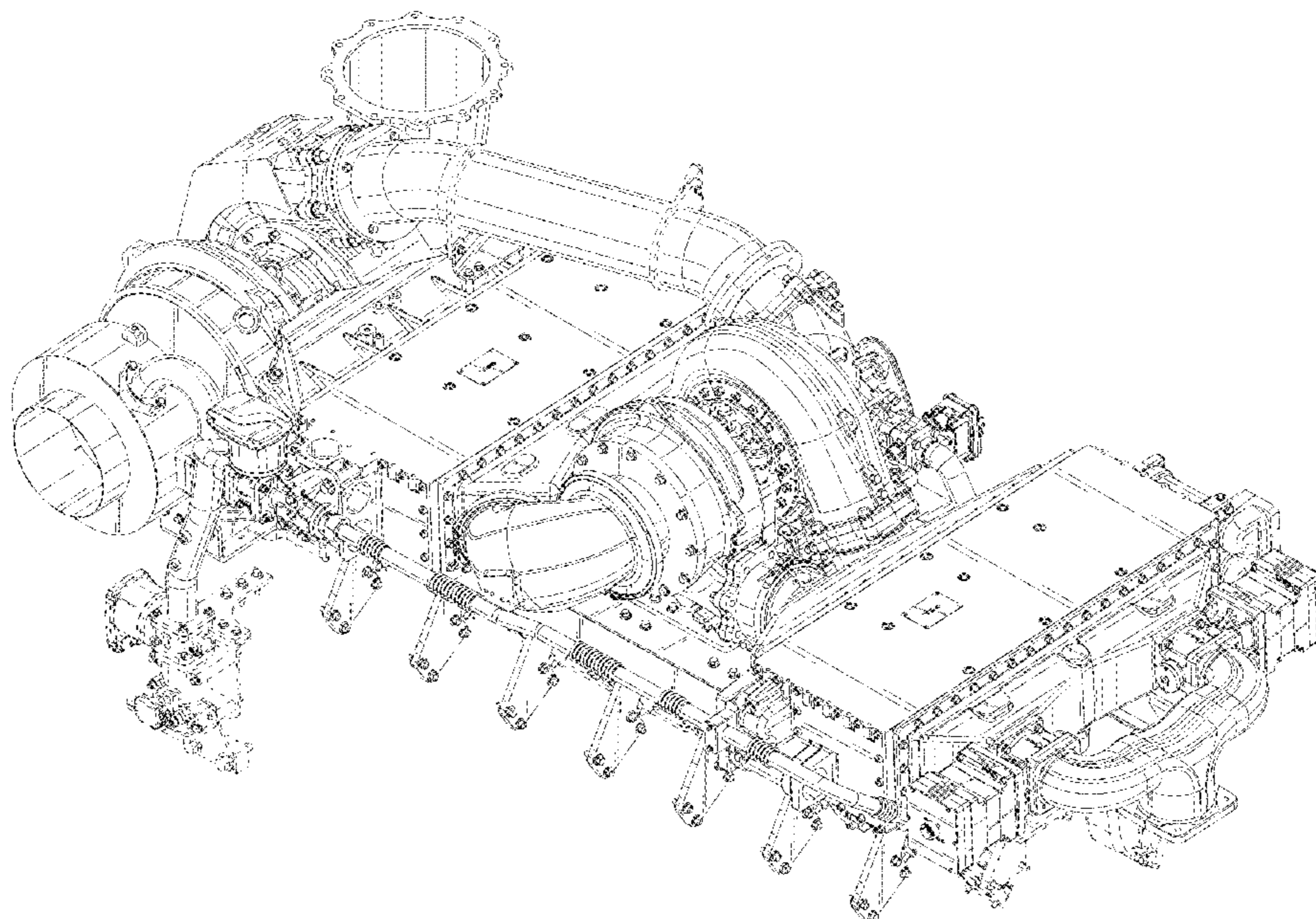
(57) **CLAIM**

We claim the ornamental design for a two-stage engine charge air system with branch conduits, as shown and described.

DESCRIPTION

FIG. 1 is a perspective view of a two-stage engine charge air system with branch conduits;
FIG. 2 is a front elevational view of the system of FIG. 1;
FIG. 3 is a rear elevational view of the system of FIG. 1;
FIG. 4 is a right-side elevational view of the system of FIG. 1;
FIG. 5 is a left-side elevational view of the system of FIG. 1;
FIG. 6 is a top plan view of the system of FIG. 1; and
FIG. 7 is a bottom plan view of the system of FIG. 1.
The broken lines shown in the views depict environmental subject matter only that forms no part of the claimed design.

1 Claim, 6 Drawing Sheets



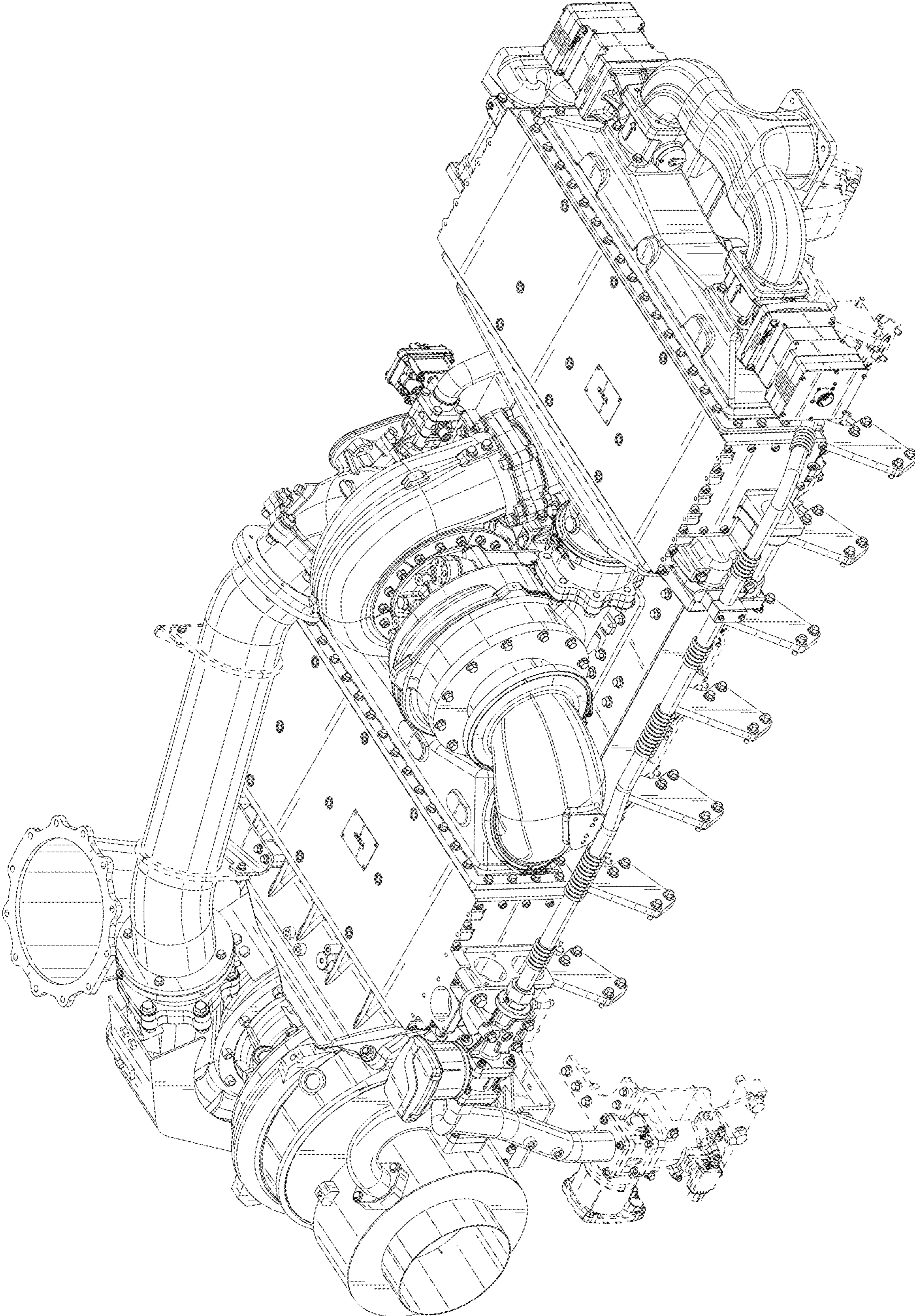


FIG. 1

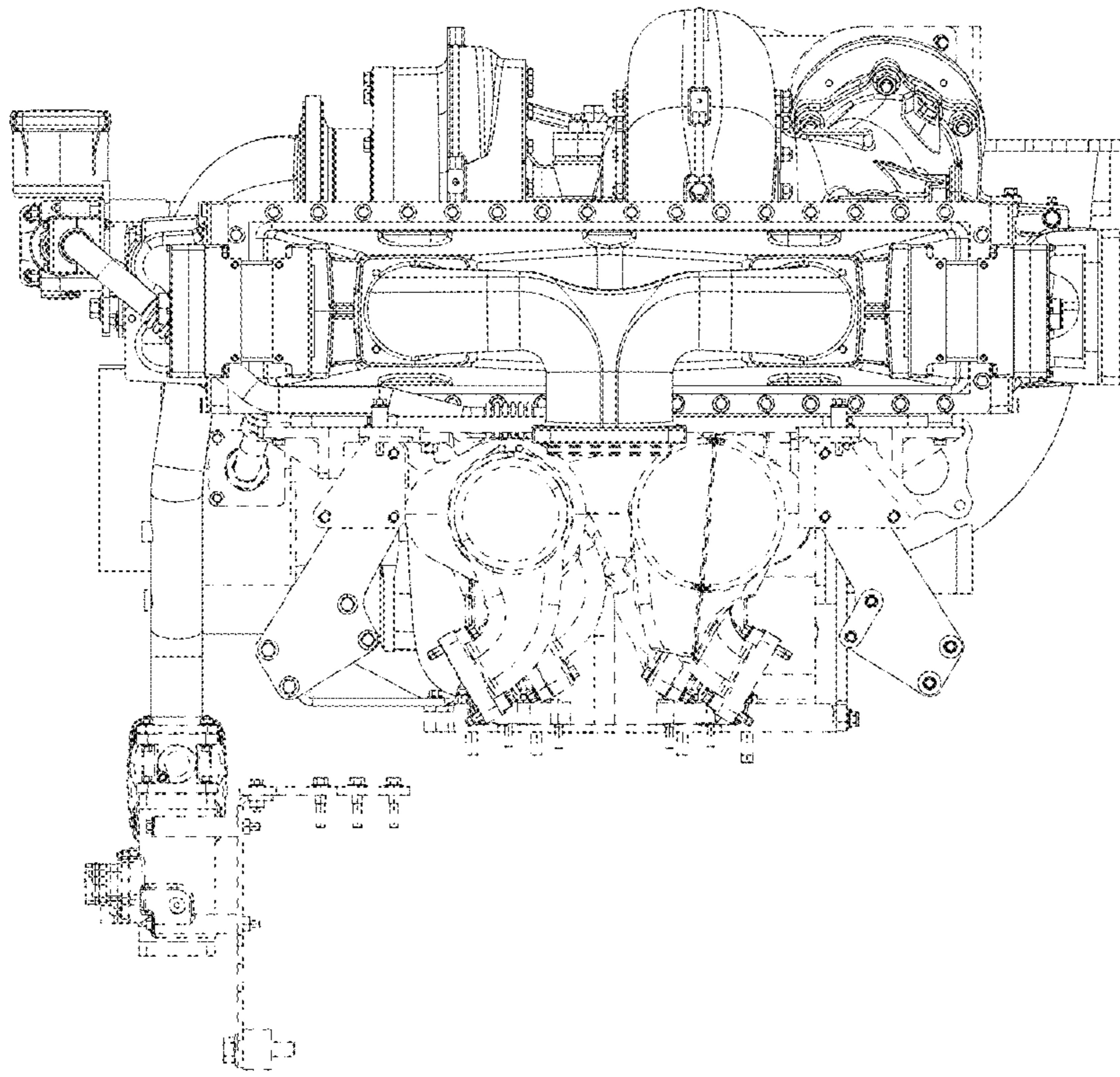


FIG. 2

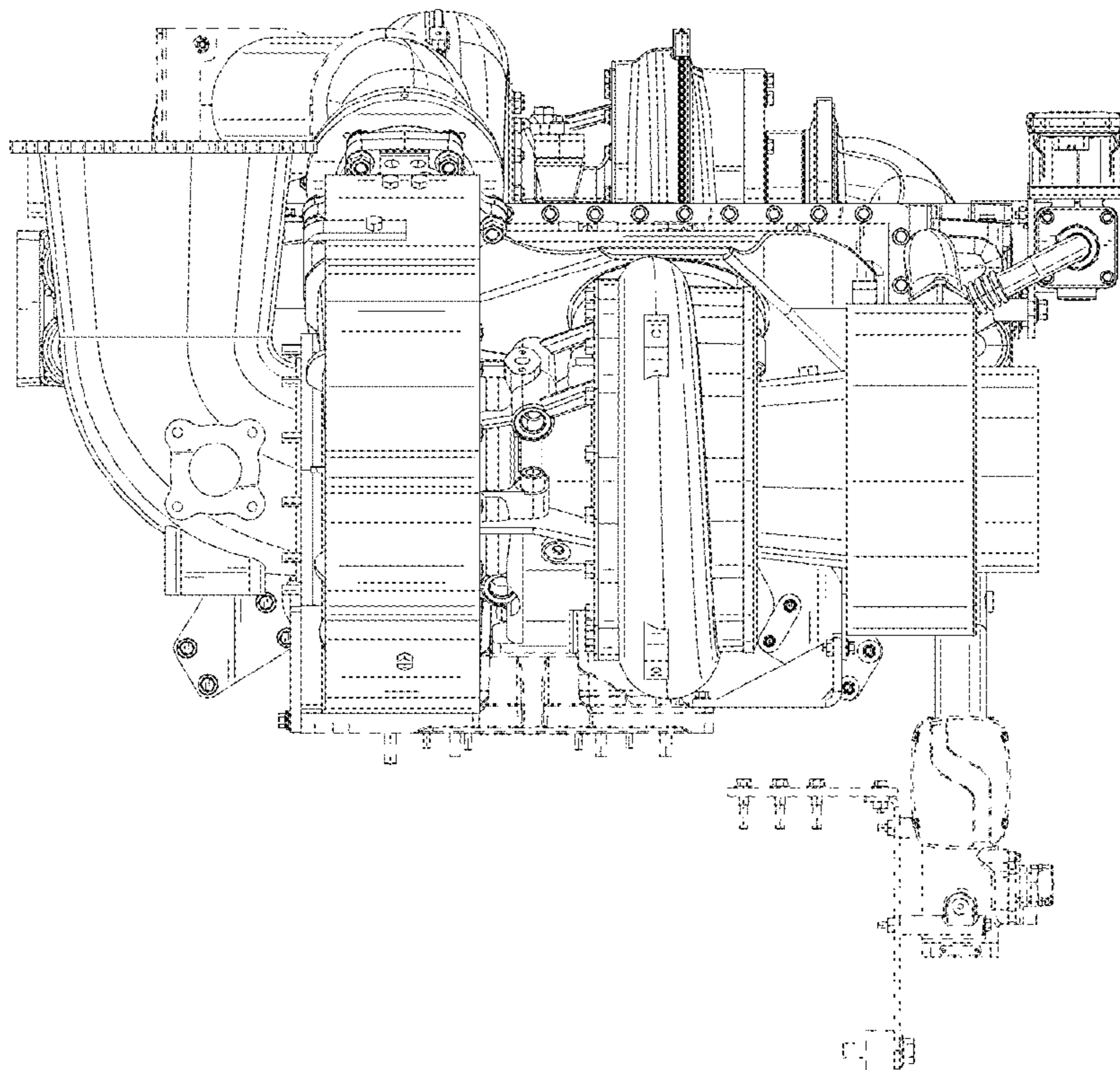


FIG. 3

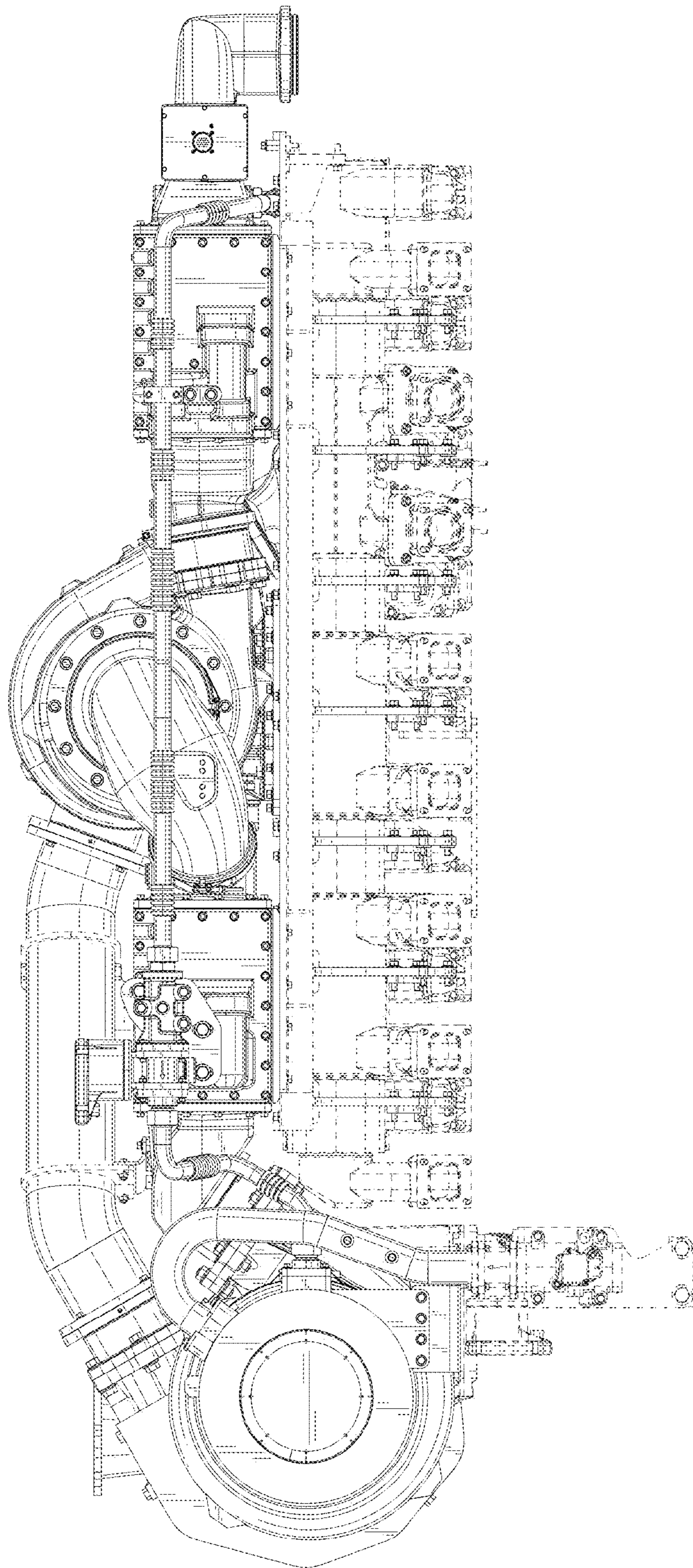


FIG. 4

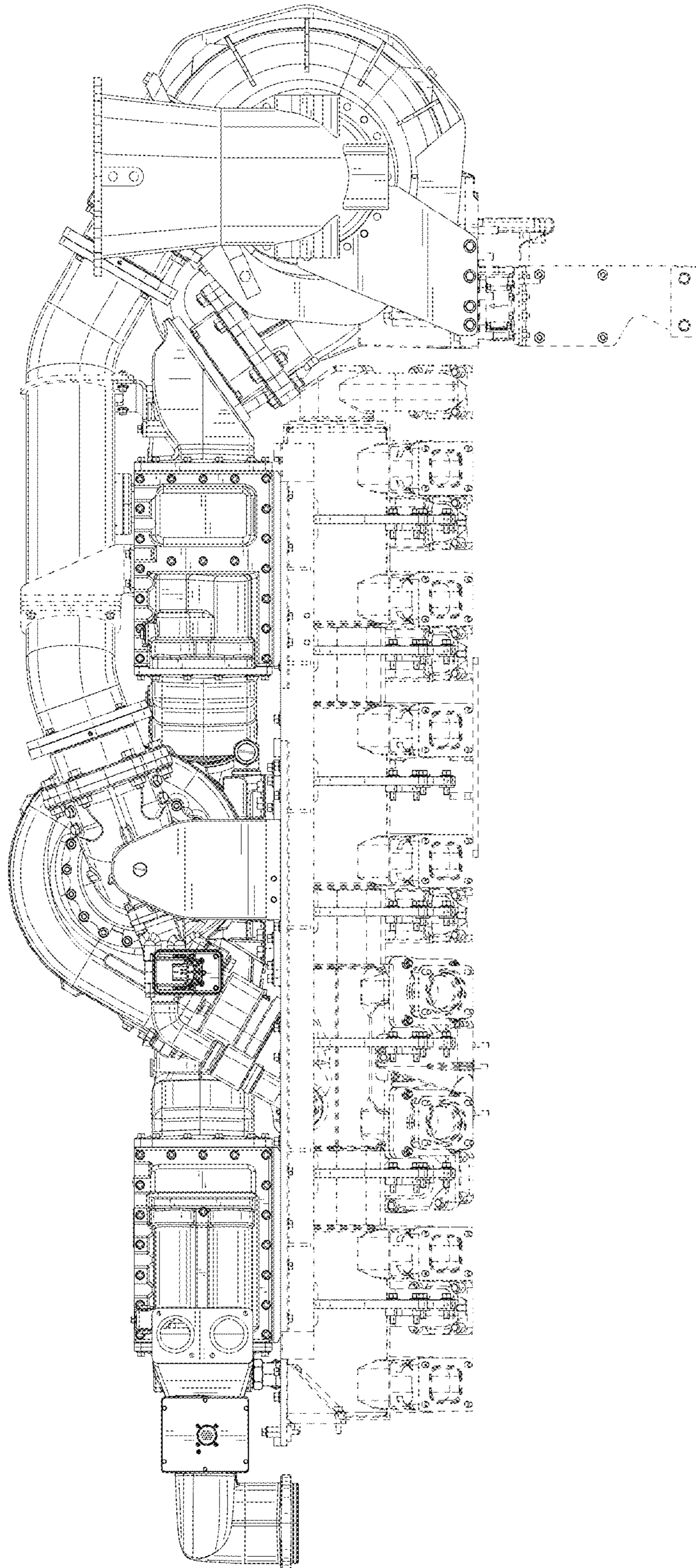


FIG. 5

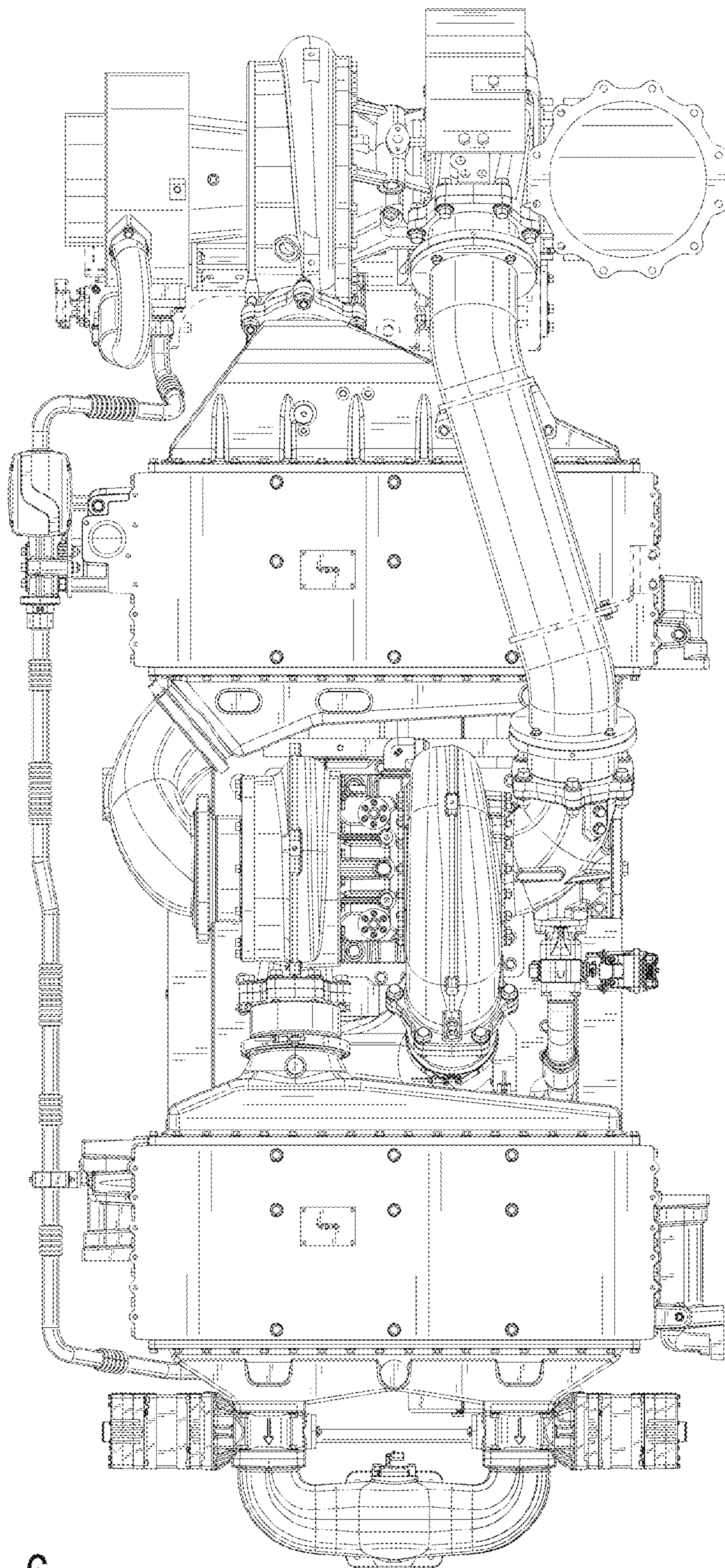


FIG. 6

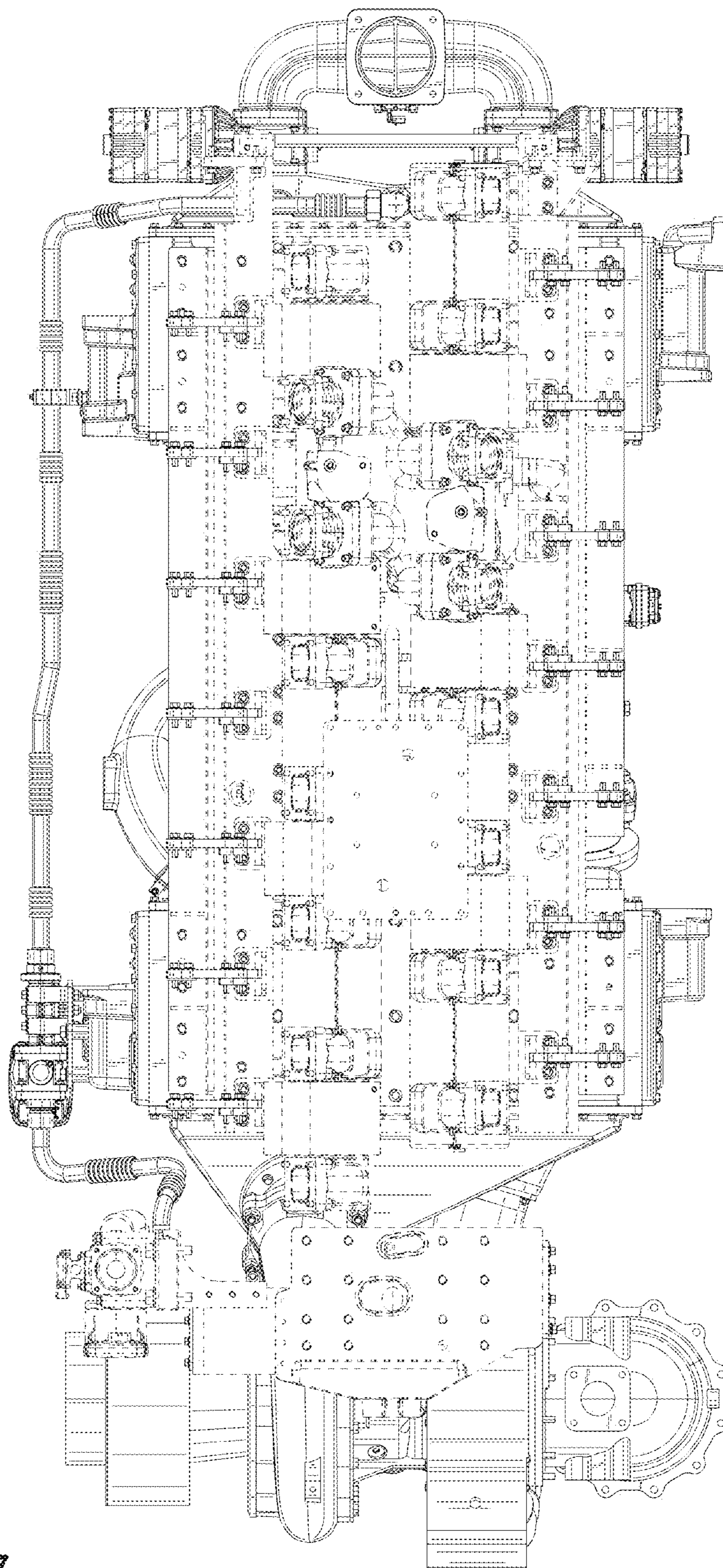


FIG. 7